

International IOR Rectifier

113CNQ100A SERIES

SCHOTTKY RECTIFIER
New GenIII D-61 Package

110 Amp

Major Ratings and Characteristics

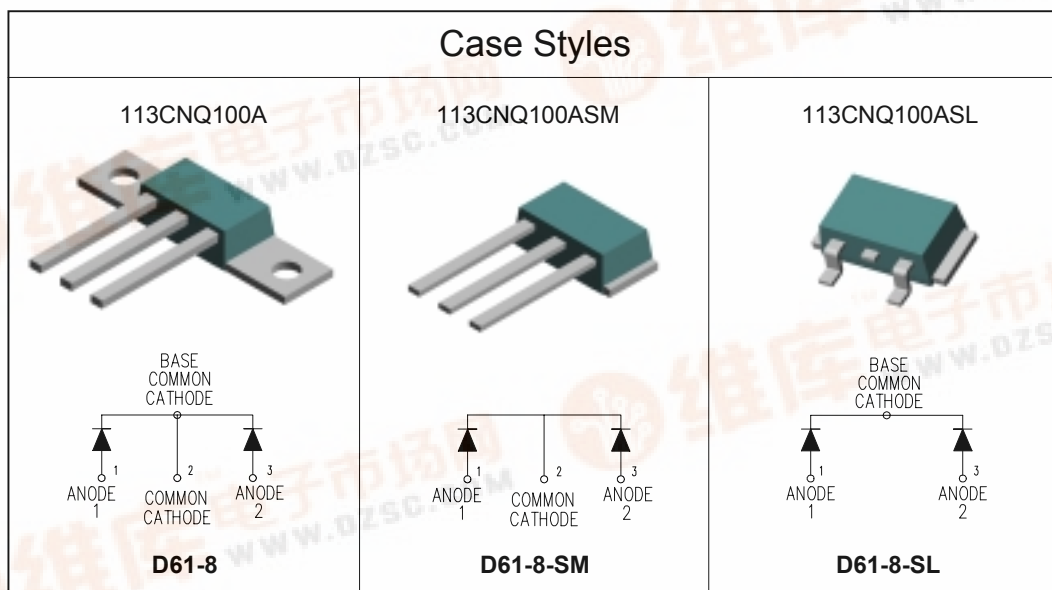
Characteristics	113CNQ	Units
$I_{F(AV)}$ Rectangular waveform	110	A
V_{RRM}	100	V
I_{FSM} @tp=5 μ s sine	7000	A
V_F @55Apk, $T_J=125^\circ\text{C}$ (per leg)	0.67	V
T_J range	-55 to 175	$^\circ\text{C}$

Description/Features

The 113CNQ100A center tap Schottky rectifier module series has been optimized for low reverse leakage at high temperature. The proprietary barrier technology allows for reliable operation up to 175 $^\circ\text{C}$ junction temperature. Typical applications are in switching power supplies, converters, free-wheeling diodes, and reverse battery protection.

- 175 $^\circ\text{C}$ T_J operation
- Center tap module
- High purity, high temperature epoxy encapsulation for enhanced mechanical strength and moisture resistance
- Low forward voltage drop
- High frequency operation
- Guard ring for enhanced ruggedness and long term reliability
- *New fully transfer-mold low profile, small footprint, high current package*

Case Styles



Voltage Ratings

Part number	113CNQ100A
V _R Max. DC Reverse Voltage (V)	100
V _{RWM} Max. Working Peak Reverse Voltage (V)	

Absolute Maximum Ratings

Parameters	113CNQ	Units	Conditions
I _{F(AV)} Max. Average Forward Current (Per Leg) * See Fig. 5 (Per Device)	55	A	50% duty cycle @ T _C = 150 °C, rectangular wave form
	110		
I _{FSM} Max. Peak One Cycle Non-Repetitive Surge Current (Per Leg) * See Fig. 7	7000	A	5μs Sine or 3μs Rect. pulse 10ms Sine or 6ms Rect. pulse Following any rated load condition and with rated V _{RRM} applied
	720		
E _{AS} Non-Repetitive Avalanche Energy (Per Leg)	15	mJ	T _J = 25 °C, I _{AS} = 1 Amps, L = 30 mH
I _{AR} Repetitive Avalanche Current (Per Leg)	1	A	Current decaying linearly to zero in 1 μsec Frequency limited by T _J max. V _A = 1.5 x V _R typical

Electrical Specifications

Parameters	113CNQ	Units	Conditions
V _{FM} Max. Forward Voltage Drop (Per Leg) * See Fig. 1 (1)	0.81	V	@ 55A T _J = 25 °C
	1.00	V	@ 110A
	0.66	V	@ 55A T _J = 125 °C
	0.79	V	@ 110A
I _{RM} Max. Reverse Leakage Current (Per Leg) * See Fig. 2 (1)	1.0	mA	T _J = 25 °C
	32	mA	T _J = 125 °C V _R = rated V _R
C _T Max. Junction Capacitance(Per Leg)	1960	pF	V _R = 5V _{DC} (test signal range 100Khz to 1Mhz) 25°C
L _S Typical Series Inductance (Per Leg)	5.5	nH	Measured lead to lead 5mm from package body
dv/dt Max. Voltage Rate of Change (Rated V _R)	10000	V/ μs	

(1) Pulse Width < 300μs, Duty Cycle <2%

Thermal-Mechanical Specifications

Parameters	113CNQ	Units	Conditions
T _J Max. Junction Temperature Range	-55 to 175	°C	
T _{stg} Max. Storage Temperature Range	-55 to 175	°C	
R _{thJC} Max. Thermal Resistance Junction to Case (Per Leg)	0.5	°C/W	DC operation * See Fig. 4
R _{thJC} Max. Thermal Resistance Junction to Case (Per Package)	0.25	°C/W	DC operation
R _{thCS} Typical Thermal Resistance, Case to Heatsink (D61-8 Only)	0.30	°C/W	Mounting surface, smooth and greased Device flatness < 5mls
wt Approximate Weight	7.8 (0.28)	g (oz.)	
T Mounting Torque (D61-8 Only)	Min. 12 (10) Max. 24 (20)	Kg-cm (lbf-in)	(*)

(*) Recommended hardware 3M stainless screw

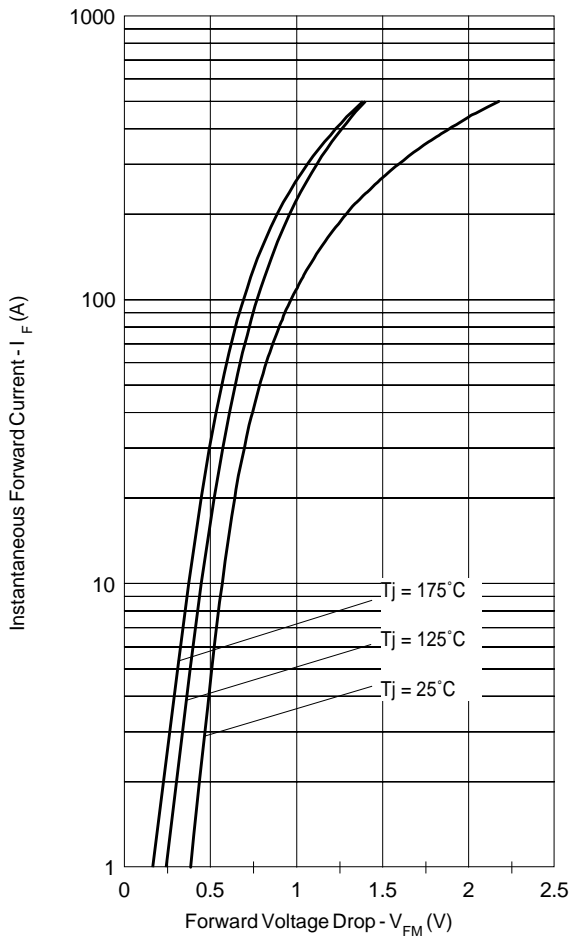


Fig. 1 - Max. Forward Voltage Drop Characteristics (Per Leg)

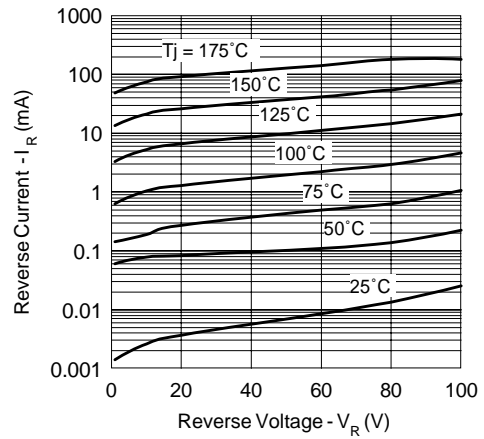


Fig. 2 - Typical Values Of Reverse Current Vs. Reverse Voltage (Per Leg)

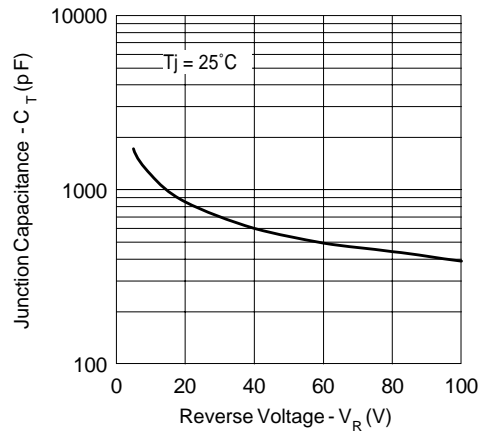


Fig. 3 - Typical Junction Capacitance Vs. Reverse Voltage (Per Leg)

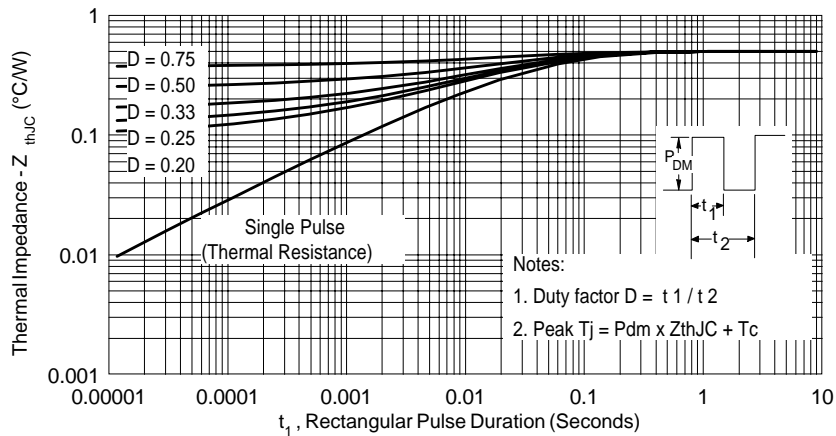


Fig. 4 - Max. Thermal Impedance Z_{thJC} Characteristics (Per Leg)

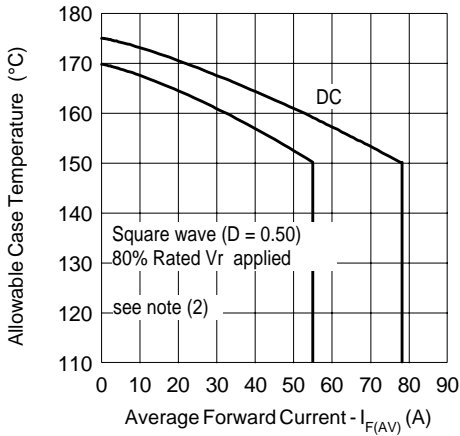


Fig. 5 - Max. Allowable Case Temperature Vs. Average Forward Current (Per Leg)

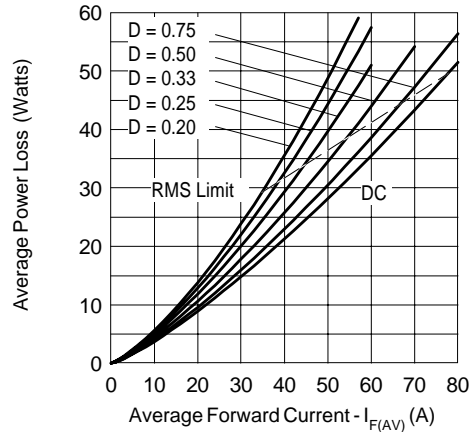


Fig. 6 - Forward Power Loss Characteristics (Per Leg)

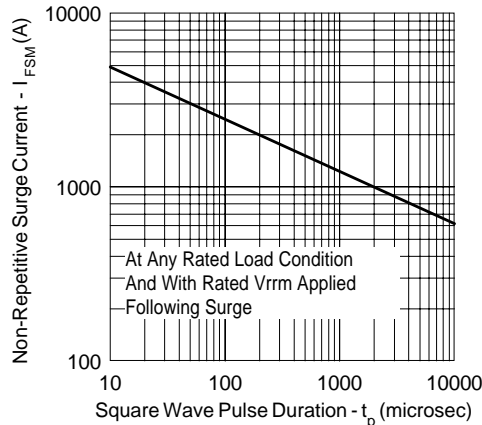


Fig. 7 - Max. Non-Repetitive Surge Current (Per Leg)

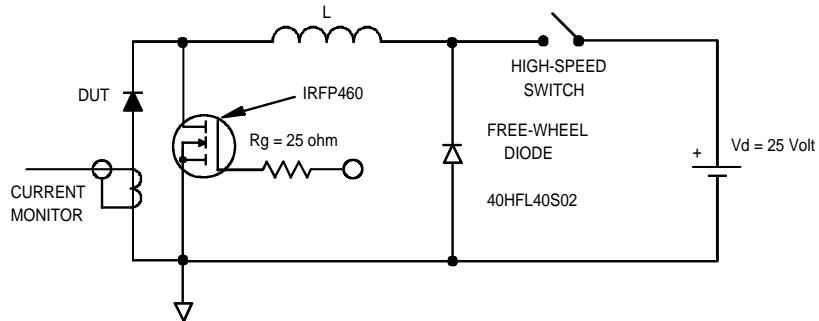
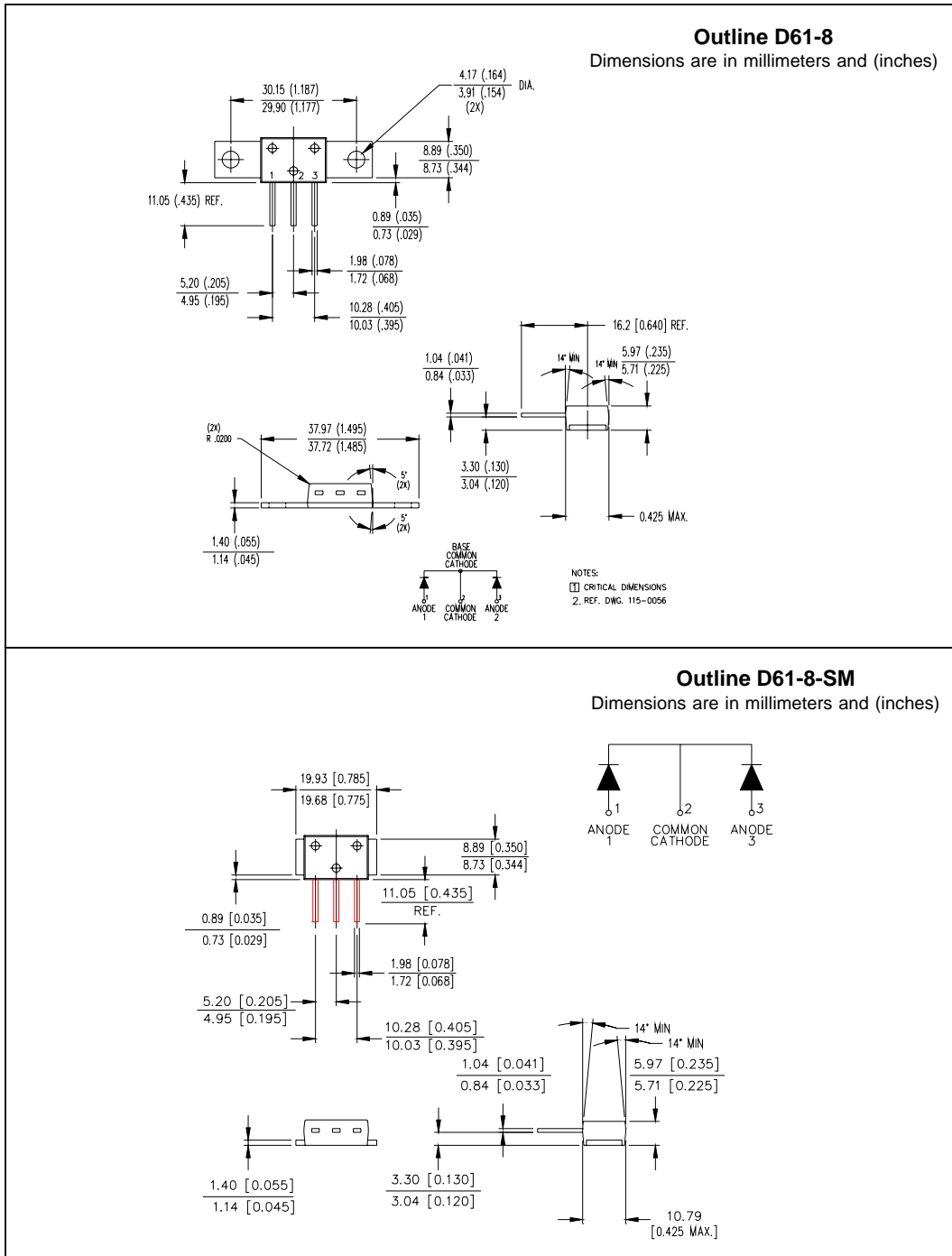


Fig. 8 - Unclamped Inductive Test Circuit

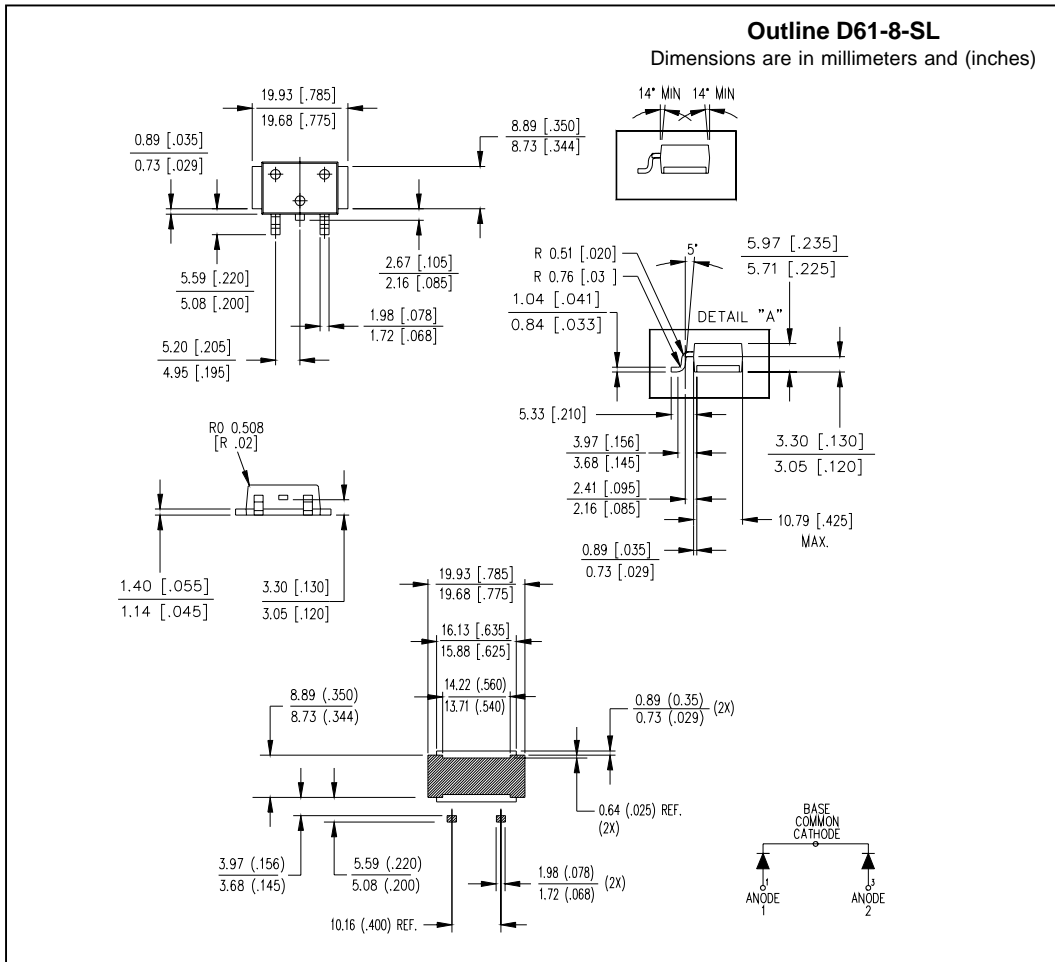
- (2) Formula used: $T_C = T_J - (Pd + Pd_{REV}) \times R_{thJC}$;
 $Pd = \text{Forward Power Loss} = I_{F(AV)} \times V_{FM} @ (I_{F(AV)} / D)$ (see Fig. 6);
 $Pd_{REV} = \text{Inverse Power Loss} = V_{R1} \times I_R (1 - D)$; $I_R @ V_{R1} = 80\% \text{ rated } V_R$

Outline Table

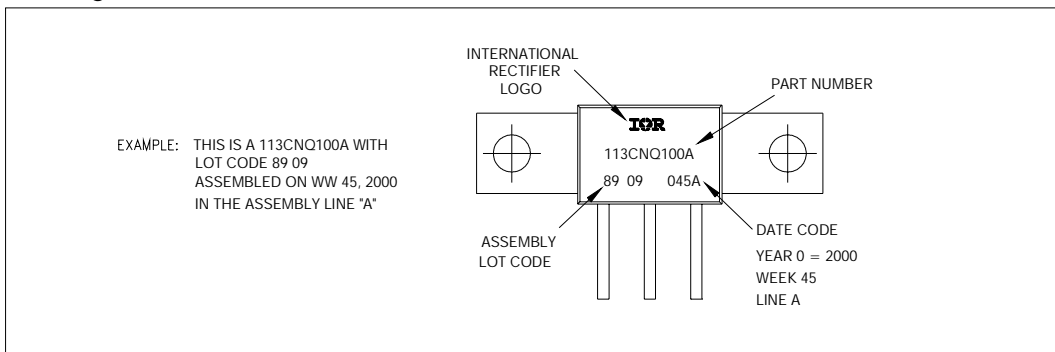


Outline D61-8-SM
Dimensions are in millimeters and (inches)

Outline Table



Marking Information



Data and specifications subject to change without notice.
This product has been designed and qualified for Industrial Level.
Qualification Standards can be found on IR's Web site.

International
IR Rectifier

IR WORLD HEADQUARTERS: 233 Kansas St., El Segundo, California 90245, USA Tel: (310) 252-7105
TAC Fax: (310) 252-7309
Visit us at www.irf.com for sales contact information. 02/03