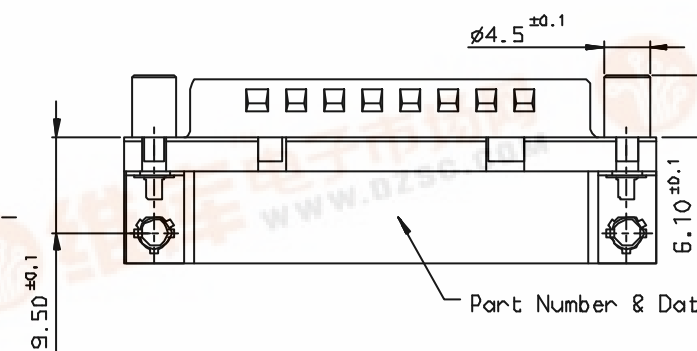
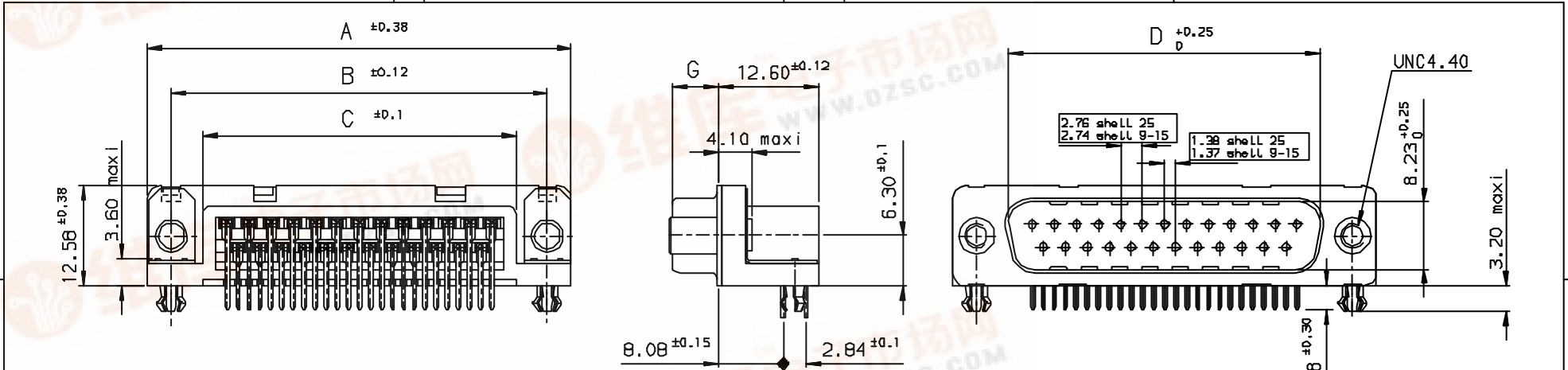


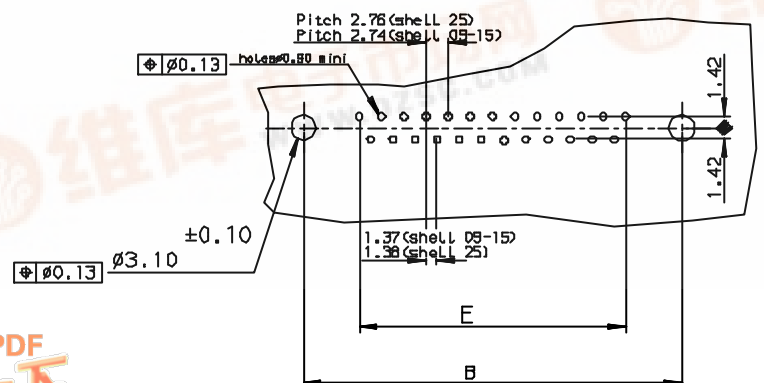
Tous droits réservés. Reproduction ou communication de ces tiers interdite sans autorisation écrite de la propriété de FCI. Drets de reproduction FCI.

**A**  
FCI

All rights reserved. Reproduction or use in third parties in any form without written authorization from the proprietor. All rights reserved. Reproduction or use in third parties in any form without written authorization from the proprietor.



PC card drilling dimensions(after plating)  
(thickness 1.60±0.20mm)



PULL Parts							
SHELL	A±0.38	B±0.12	C±0.10	D±0.25	E±0.07	G±0.25	PART NUMBER
09	30.81	24.99	16.96	16.79	10.96	5.90	D09P33E4GV00**
15	39.14	33.32	25.18	25.12	19.18	5.90	D15P33E4GV00**
25	53.03	47.04	39.12	38.84	33.12	5.70	D25P33E4GV00**

GENERAL CHARACTERISTICS - SEE DRAWING C01-8545-0000

LF FOR LEAD FREE

Dr JOHN SLEEBA	7/4/03	Product Family	II-SUB	Tolerance LINEAR ±0.1 ANGULAR ±1°	Projection	MM
Eng GEORGE VJ	7/4/03	Spec ref		Size A3	Scale	
Chr GEORGE VJ	27/7/05	Material		ECN		
Appr K Somasundaram	27/7/05					

<b>A</b> FCI	Title MALE CONNECT.DELTA D right angle screwlock,harpoon & metal plate	Dwg no C01-8545-0151	Rev. d
	Catalog no	CUSTOMER COPY	Sheet 1 of 1

INDEX	DATE	REVISION DESCRIPTION
1	27/7/05	LEAD FREE DETAILS ADDED