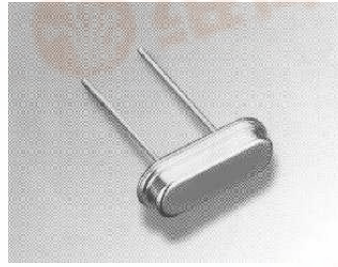




Quartz THT



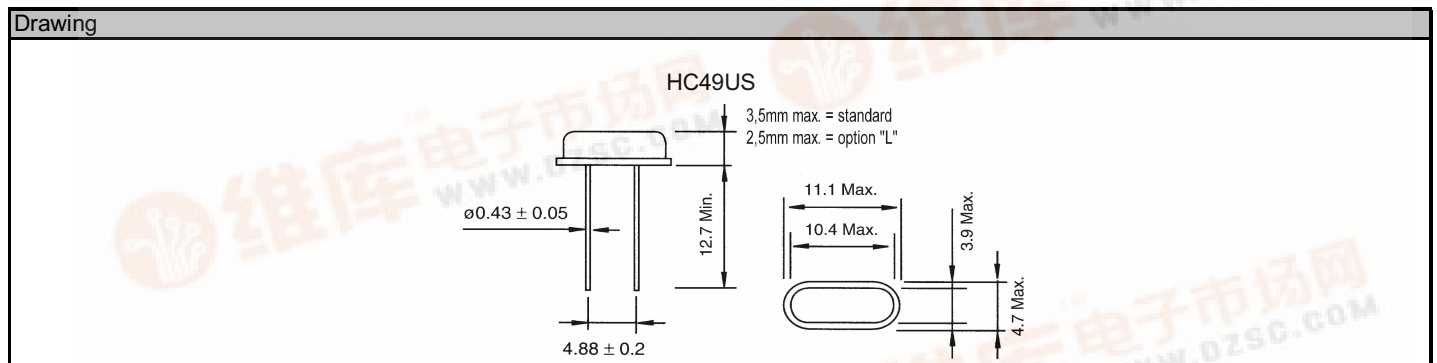
HC49US

Features:

- Wide frequency range
- Low cost to performane
- Excellent for clock frequency generation
- Very low profile

Specifications			
	Symbol	HC49US	Remarks
Frequency range	f	3.5MHz ~ 35.000MHz	Fundamental mode
		30.000MHz ~ 90.000MHz	Overtone mode
Frequency tolerance, Ta=25°C	f/f	± 3ppm ~ ± 50ppm	Please specify
Load capacitance	C _L	5pF ~ 50pF or user specify	Please specify
Temperature tolerance	f/f	±3ppm ~ ± 50ppm	Please specify
Temperature range	Storage temp.	T _{STG}	-40°C ~ +105°C
	Operating temp.	T _{OPR}	0°C ~ +50°C / -40°C ~ +105°C
Drive level	Maximum drive level	M _{DL}	1000 W
	Recommended drive level	R _{DL}	10 W ~ 100 W
Series resistance	R ₁	As per table	25°C
Shunt capacitance	C ₀	7pF	Max
Insulation resistance	I _R	500M Ohm	
Aging	f _A	±1ppm ~ ±5ppm/Year	Please specify

Resistance of series resonance (ESR)						
Frequency (MHz)	Mode	Ohm max	Frequency (MHz)	Mode	Ohm max	
3.579 <= f < 6.0	Fundamental	150	15.0 <= f < 35.0	Fundamental	40	
6.0 <= f < 10.0	Fundamental	100	30.0 <= f < 90.0	3rd OT	70	
10.0 <= f < 15.0	Fundamental	60				



Order key

Part	Frequency	Package	Mode of oscillation	Frequency tolerance	Temperature tolerance	Temperature range	Load capacitance	Option
Q=Quartz	M=MHz	HC49US	F=fund. 3=3.OT	+/-ppm (25°C)	+/-ppm (Temp. range)	A= 0°C ~ 70°C B=-10°C ~ 60°C C=-10°C ~ 70°C D=-20°C ~ 70°C E=-40°C ~ 85°C F=-40°C ~ 105°C H=-20°C ~ +80°C I=-10°C ~ +50°C	pF SR=series	3P=3Pin version L=Low hight TA=Taped ammpack I=Isolation washers X=Special options

