

TLE5010

GMR Based Angular Sensor

Draft

Sensors



Never stop thinking



Edition 2007-05

Published by

**Infineon Technologies AG
81726 München, Germany**

**© 2007 Infineon Technologies AG
All Rights Reserved.**

Legal Disclaimer

The information given in this document shall in no event be regarded as a guarantee of conditions or characteristics. With respect to any examples or hints given herein, any typical values stated herein and/or any information regarding the application of the device, Infineon Technologies hereby disclaims any and all warranties and liabilities of any kind, including without limitation warranties of non-infringement of intellectual property rights of any third party.

Information

For further information on technology, delivery terms and conditions and prices please contact your nearest Infineon Technologies Office (www.infineon.com).

Warnings

Due to technical requirements components may contain dangerous substances. For information on the types in question please contact your nearest Infineon Technologies Office.

Infineon Technologies Components may only be used in life-support devices or systems with the express written approval of Infineon Technologies, if a failure of such components can reasonably be expected to cause the failure of that life-support device or system, or to affect the safety or effectiveness of that device or system. Life support devices or systems are intended to be implanted in the human body, or to support and/or maintain and sustain and/or protect human life. If they fail, it is reasonable to assume that the health of the user or other persons may be endangered.

TLE5010

Draft

Revision History: 2007-05

V 0.9

Previous Version: -

Page	Subjects (major changes since last revision)

We Listen to Your Comments

Any information within this document that you feel is wrong, unclear or missing at all?
Your feedback will help us to continuously improve the quality of this document.

Please send your proposal (including a reference to this document) to:

sensors@infineon.com



Draft

1	Overview	6
1.1	Features	6
1.2	Target Applications	7
1.3	Product Description	7
1.4	Pin Configuration (top view)	8
2	General	9
2.1	Functional Description	9
2.2	Block Diagram	9
2.3	Internal Power Supply	10
	GMR Voltage Regulator VRG (VDDG-Voltage)	10
	Analog Voltage Regulator VRA (VDDA-Voltage)	10
	Digital Voltage Regulator VRD (VDDD-Voltage)	10
2.4	GMR Functionality	11
3	Absolute Maximum Ratings	13
4	Operating Range	14
5	Electrical and Magnetic Parameters	15
5.1	Electrical Parameters	15
5.2	ESD Protection	16
5.3	GMR Parameters	17
	Offset and Amplitude	17
	Amplitude Definition	18
	Offset Definition	18
	Temperature dependent behavior	18
	Orthogonality Definition	19
5.4	Calibration	19
	GMR Values	19
	Temperature Measurement	19
	Calibration Conditions	19
5.5	Angle Calculation	20
5.5.1	Components of the Output Signals	20
5.5.2	GMR Error Compensation	20
	Temperature dependent Offset Value	20
	Offset Correction	21
	Amplitude Normalization	21
	Non-Orthogonality Correction	21
	Resulting Angle	21
5.6	Error Types	22
	Anisotropy Error	22
	Hysteresis Error	22
	Residual Angle Error	22
5.7	GMR Parameters after Calibration	23

Draft

6	Signal Processing	24
7	Clock Supply (CLK Timing Definition)	25
8	Synchronous Serial Communication Interface (SSC)	26
8.1	SSC Timing Definition	27
	SSC Timing Diagram	27
8.2	SSC Baud rate	30
8.3	SSC Spike Filter	30
8.3.1	SSC Spike Filter Off	30
8.3.2	SSC Spike Filter On	31
	Filter for DATA and \overline{CS}	31
8.4	SSC Data Transfer	32
8.5	SSC Command Byte	32
9	Register Table	33
	Bit Types	34
	Reserved Registers (08 _H to 0B _H)	39
10	Data Communication via SSC	43
10.1	CRC Generation	44
10.2	Slave Active Byte Generation	44
	Example: Update X and Y and set ADC-Test Mode	45
11	Test Structures	46
11.1	Functional Angle Tests	46
	ADC Test Vectors	47
11.2	Temperature Measurement	47
11.3	Angle Test and Temperature Measurement Timing	48
12	Overvoltage Comparators	49
12.1	Internal Supply Voltage Comparators	49
12.2	V _{DD} Overvoltage Detection	49
12.3	GND - Off Comparator	50
12.4	V _{DD} - Off Comparator	50
13	Typical Application Circuit	51
13.1	Angle Sensor System	51
14	Package Information	52
14.1	Package Parameters	52
	Package Outline PG-DSO-8	53
	Footprint PG-DSO-8	54
	Packing	54
	Marking	54
	Processing	55



Draft

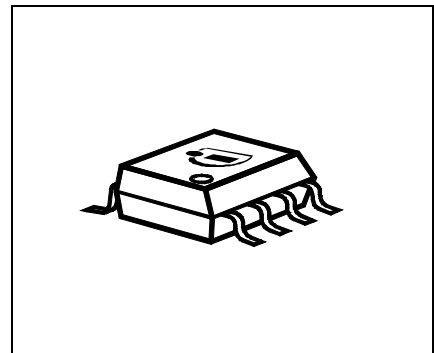
GMR Based Angular Sensor

TLE5010

1 Overview

1.1 Features

- Giant **M**agneto**R**esistance based principle
- Integrated magnetic field sensing for angle measurement
- Full 0 - 360° angle measurement
- Highly accurate single bit SD-ADC
- 16 bit representation of sine / cosine values on the interface
- Bidirectional SSC interface up to 2 Mbit/s
- 3 pin SSC interface, SPI compatible with open drain
- ADCs and filters are synchronized with external commands via SSC
- Test resistors for simulating angle values
- Core supply voltage 2.5 V
- 0.25 μm CMOS technology
- Automotive qualified: -40°C to +150°C (Junction Temperature)
- Latch up immunity according JEDEC standard
- ESD > 2 kV (HBM)
- Green package with lead-free plating



Type	Marking	Ordering Code	Package
TLE5010	5010-2	tbd.	PG-DSO-8

1.2 Target Applications

Angular position sensing in automotive applications like:

- Steering Angle
- Brushless DC Motor Commutation (e.g. EPS)
- Rotary Switch
- General Angular sensing in automotive applications

1.3 Product Description

The TLE5010 is a 360° angle sensor, which detects the orientation of a magnetic field. This is achieved by measuring sine and cosine angle components with monolithic integrated GMR elements (Giant Magnetic Resistance).

Data communication is done with a bi-directional SSC interface (SPI compatible).

The sine and cosine values can be read out. These signals can be digitally processed to calculate the angle orientation of the magnetic field (magnet). This calculation can be done by using a cordic algorithm.

It is possible to connect more than one TLE5010 to one SSC Interface of a μC for redundancy or any other reasons.

In this case the synchronization of the connected TLE5010 is done by a broadcast command.

Each connected TLE5010 can be addressed by a dedicated chip select $\overline{\text{CS}}$ pin.

Online diagnostic functionalities are provided to ensure a reliable operation.

These are

- Angle Test (generated via test voltages feeding the ADC).
- Crossed signal paths (switchable for comparison)
- Inverted signs of bit streams
- Over and undervoltage detections

1.4 Pin Configuration (top view)

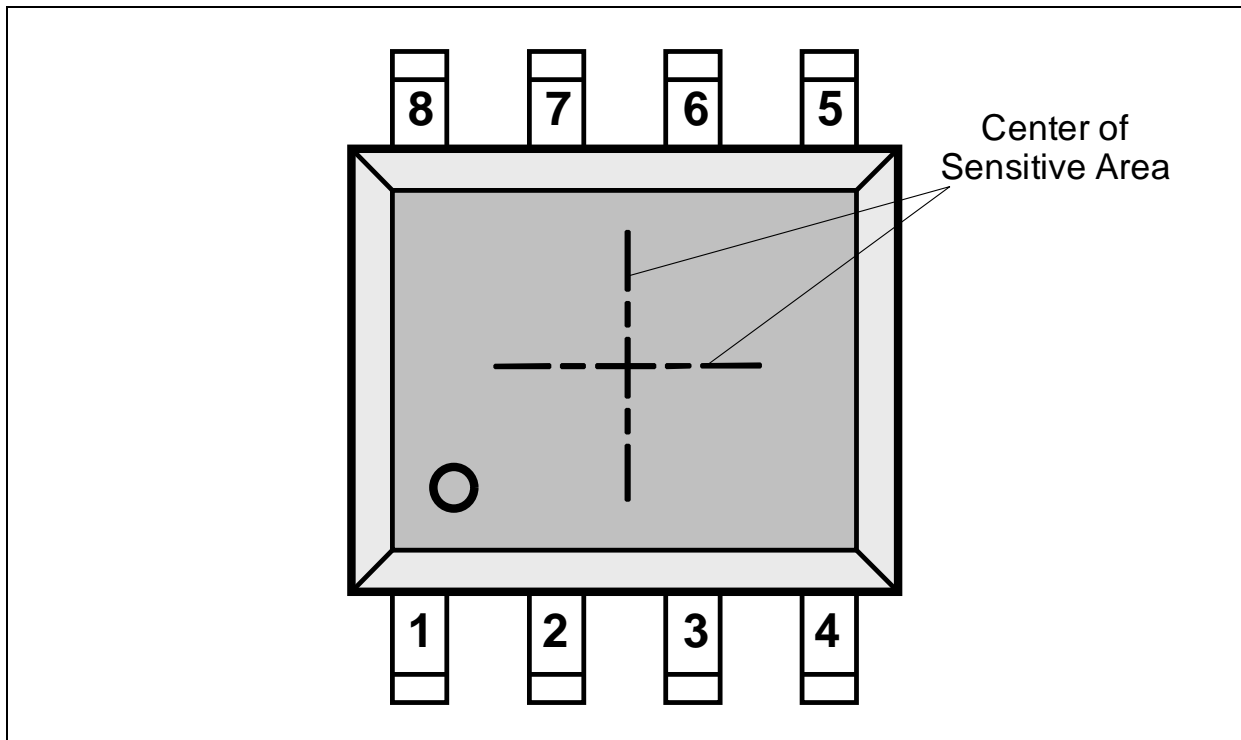


Figure 1 Pin Configuration

Table 1 Pin Definitions and Functions

Pin No.	Symbol	In/Out	Function
1	<i>CLK</i>	<i>I</i>	Chip Clock
2	<i>SCK</i>	<i>I</i>	SSC Clock
3	\overline{CS}	<i>I</i>	SSC Chip Select
4	<i>DATA</i>	<i>I/O</i>	SSC Data, open drain
5	<i>TST1</i>	<i>I/O</i>	Test Pin 1, must be connected to GND
6	V_{DD}	-	Supply voltage
7	<i>GND</i>	-	Ground
8	<i>TST2</i>	<i>I/O</i>	Test Pin 2, must be connected to GND

2 General

2.1 Functional Description

The clock for the sensors will be provided by external. This ensures a synchronously operation in case of multiple system participants.

The sensor has its own PLL to generate the necessary clock frequency for the chip operation.

2.2 Block Diagram

The block diagram shows all switches in reset position.

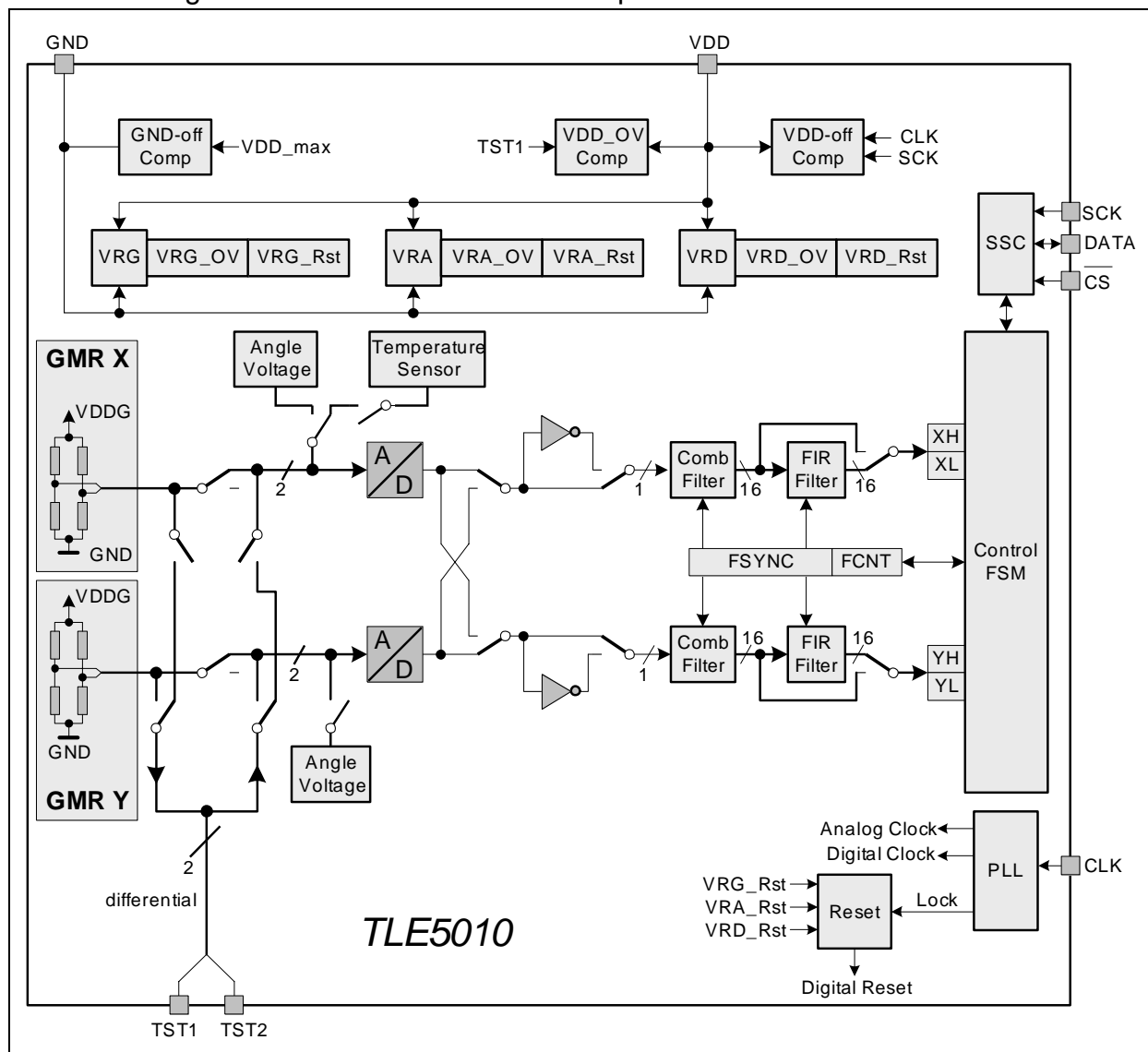


Figure 2 Block Diagram

2.3 Internal Power Supply

The internal stages of the TLE5010 are supplied with different voltage regulators. Each voltage regulator has its own over- and undervoltage detection circuits.

GMR Voltage Regulator VRG (VDDG-Voltage)

The GMR voltage regulator supplies all GMR parts.

- GMR Bridges
- Test Voltages for Angle Test
- ADC Reference Voltage

The voltages are monitored in the VRG over- and undervoltage detectors.

Analog Voltage Regulator VRA (VDDA-Voltage)

The analog voltage regulator supplies the analog parts.

- ADCs
- PLL (analog)
- VDD-Off comparator
- GND-Off comparator
- V_{DD} Overvoltage detection

The voltages are monitored in the VRA over- and undervoltage detectors.

Digital Voltage Regulator VRD (VDDD-Voltage)

The digital voltage regulator supplies all digital parts.

- Comb filters, FIR filters and Low Pass filter
- PLL (digital)
- Control FSM with Bitmap
- SSC -Interface
- Counters (Reset, FSYNC, FCNT)

The voltages are monitored in the VRD over- and undervoltage detectors.

2.4 GMR Functionality

The GMR sensor is implemented in vertical integration. This means, that the GMR active areas are integrated above the logic part. GMR elements change their resistance depending on the direction of the magnetic field.

4 individual GMR elements are connected to one Wheatstone sensor bridge.

They sense either the

- X component, V_X (cosine) or the
- Y component, V_Y (sine)

of the applied magnetic field.

The advantage of a full-bridge structure is that the GMR signal amplitude is doubled.

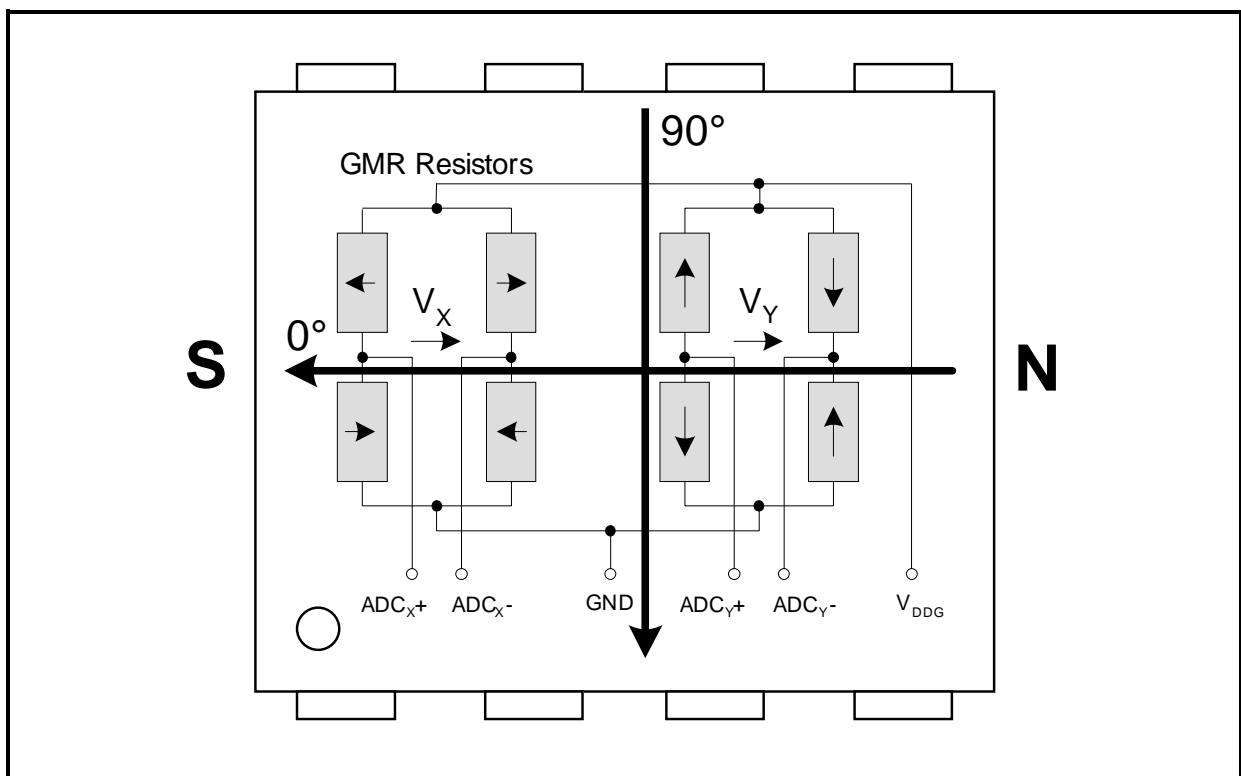


Figure 3 Sensitive bridges of the GMR Sensor¹⁾

¹⁾ The arrows in the resistor symbols show the direction of the reference layer

Draft

General

The output signal of each bridge is only unambiguous over 180° between two maxima. Therefore two bridges are orientated orthogonal to each other.

Using the ARCTAN function, the true 360° angle value can be calculated which is represented by the relation of the X and Y signals.

As only the relative values influence the result, the absolute size of the two signals is of minor importance. Therefore most influences to the amplitudes are compensated.

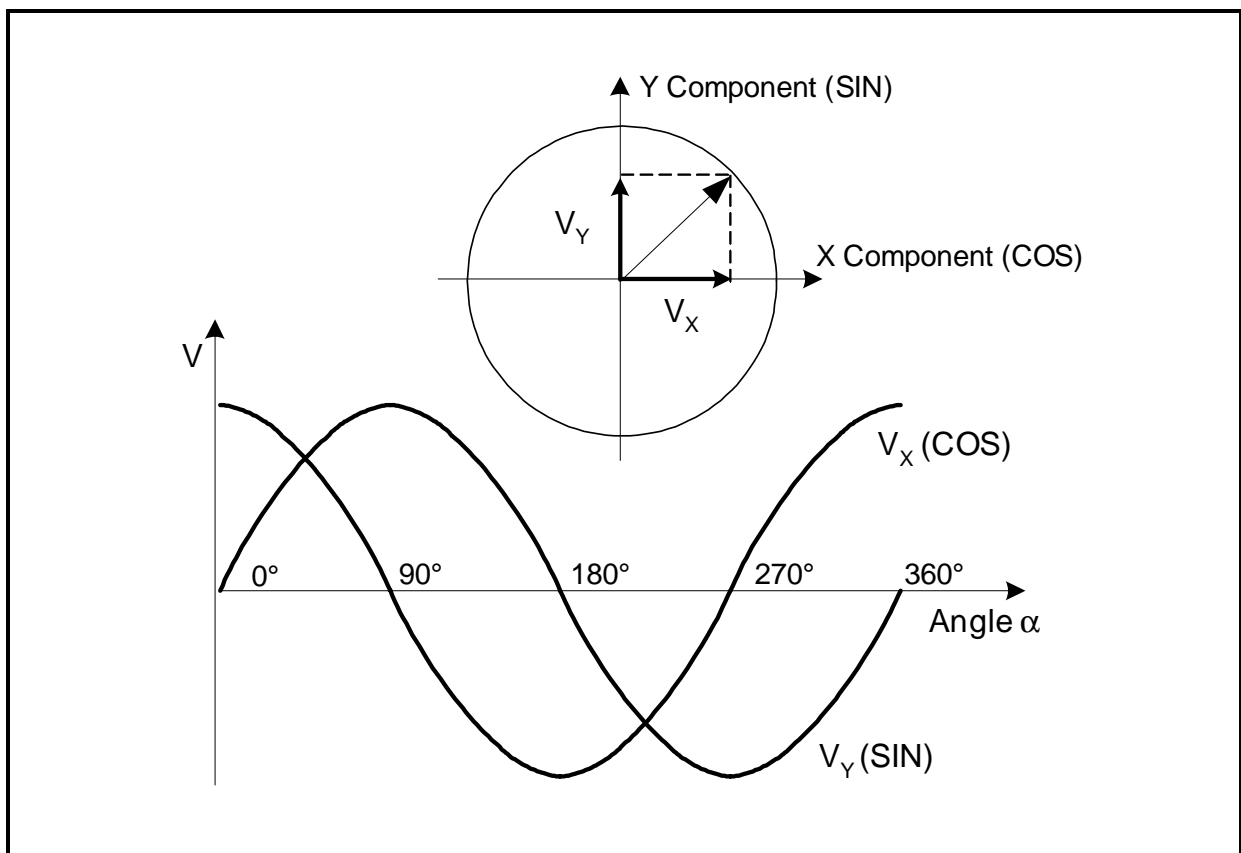


Figure 4 Ideal Output of the GMR Sensor

3 Absolute Maximum Ratings

Table 2 Absolute Maximum Rating Parameters

Parameter	Symbol	Limit Values		Unit	Notes
		min.	max.		
Voltage on V_{DD} pin respect to ground (V_{SS})	V_{DD}	-0.5	6.5	V	max 40 h / lifetime
Voltage on any pin respect to ground (V_{SS})	V_{IN}	-0.5	6.5	V	$V_{DD} + 0.35$ V may not be exceeded
Junction Temperature	T_J	-40	150	°C	
Magnetic Field Induction	B	-	125	mT	max 5 min. @ $t_A = 25^\circ\text{C}$
		-	80		max 5 h @ $t_A = 25^\circ\text{C}$

Note: Stresses above those listed under “Absolute Maximum Ratings” may cause permanent damage to the device. This is a stress rating only and functional operation of the device at these or any other conditions above those indicated in the operational sections of this specification is not implied. Exposure to absolute maximum rating conditions for extended periods may affect device reliability. During absolute maximum rating overload conditions ($V_{IN} > V_{DD}$ or $V_{IN} < GND$) the voltage on V_{DD} pins with respect to ground (GND) must not exceed the values defined by the absolute maximum ratings.

4 Operating Range

The following operating conditions must not be exceeded in order to ensure correct operation of the TLE5010.

All parameters specified in the following sections refer to these operating conditions, unless otherwise noticed.

Table 3 Operating Range (- 40°C < T_J < 150°C)

Parameter	Symbol	Limit Values			Unit	Notes
		min.	typ.	max.		
Supply Voltage	V _{DD}	4.5	-	5.5	V	1)
Output Current	I _Q	-	-5	-10	mA	2) 3)
Input Voltage	V _{IN}	-0.3	-	5.5	V	V _{DD} + 0.5 V may not be exceeded
Magnetic Induction	B _{XY}	25	30	45	mT	In X / Y direction ⁴⁾
Angle Range	Ang	0	-	360	°	sine / cosine
Storage Temperature	T _{ST}	-40	-	50	°C	
Overall Life Time	t _{life}	-	-	15	Years	

1) Directly blocked with 100 nF ceramic capacitor

2) Max current to GND over Open Drain Output

3) The corresponding voltage levels are listed in [Table 5 "Electrical Parameters for 4.5V < V_{DD} < 5.5V" on Page 16](#)

4) Values refer to an homogenous magnetic field (B_{xy}) without vertical magnetic induction (B_z = 0 mT). By applying a vertical magnetic induction an additional error has to be considered

Note: For a calculation of the corresponding ambient temperature the thermal resistances in [Table 20 "Package Parameters" on Page 51](#) have to be used.

5 Electrical and Magnetic Parameters

5.1 Electrical Parameters

These are all parameters over operating range, unless otherwise specified.

Unless individually specified, typical values correspond to a supply voltage $V_{DD} = 5.0\text{ V}$ and 25°C .

All other values correspond to $-40^\circ\text{C} < T_J < 150^\circ\text{C}$

Table 4 Electrical Parameters

Parameter	Symbol	Limit Values			Unit	Notes
		min.	typ.	max.		
Supply Current ¹⁾	I_{DD}	-	15	20	mA	$V_{DD} = 4.5\text{ to }5.5\text{V}$
		-	-	21		$V_{DD} = 6.5\text{ V}$
POR Level	V_{POR}	2.0	2.3	2.9	V	Power On Reset
POR Hysteresis	V_{PORhy}	-	30	-	mV	
Power On Time	t_{Pon}	50	100	200	μs	$V_{DD} > V_{DDmin}$ & after first edge on f_{CLK}
PLL Jitter	t_{PLLjit_S}	-	1.3	2.0 ²⁾	ns	short term ³⁾
	t_{PLLjit_L}	-	3.0	3.9		long term ⁴⁾
ADC Noise ⁵⁾	N_{ADC}	-	1	2.2	digits	1 σ @ FIR_BYP = 0
		-	2	4.4 ²⁾		1 σ @ FIR_BYP = 1
Input Signal Low Level	V_L	-0.35	-	$0.3 V_{DD}$	V	Tested only at DATA pin as structures of all pins are identical
Input Signal High Level	V_H	$0.7 V_{DD}$	-	$V_{DD} + 0.35$	V	
Capacitance of SSC Data Pin	C_{LDATA}	-	4	6 ²⁾	pF	Internal

¹⁾ Without external pull-up resistor for SSC-Interface

²⁾ Not tested

³⁾ From pulse to pulse

⁴⁾ Accumulated over 1 ms

⁵⁾ ADC noise in respect to the peak ADC value specified in **“Signal Processing” on Page 23**.
Noise tested using 1 σ of 100 sample values from Angle Test “000”

Table 5 Electrical Parameters for $4.5V < V_{DD} < 5.5V$

Parameter	Symbol	Limit Values			Unit	Notes
		min.	typ.	max.		
Input Hysteresis	V_{HY}	$0.07 V_{DD}$	-	-	V	
Pull-Up Current	I_{PU}	-10	-	-150	μA	\overline{CS} , DATA
Pull-Down Current	I_{PD}	15	-	225	μA	SCK, CLK
		15	-	225		TST1
		10	-	150		TST2
Output Signal Low Level	V_{OL}	-	-	0.7 0.4	V	$I_Q = -10 \text{ mA}$ $I_Q = -5 \text{ mA}^1)$

¹⁾ The value -5 mA is not tested

5.2 ESD Protection

Table 6 ESD Protection

Parameter	Symbol	Limit Values		Unit	Notes
		min.	max.		
ESD Voltage	V_{HBM}	-	± 2	kV	HBM ¹⁾
	V_{CDM}	-	± 500	V	CDM ²⁾

¹⁾ Human Body Model (HBM) according to: JEDEC EIA/JESD22-A114-B ($R = 1.5 \text{ k}\Omega$, $C = 100 \text{ pF}$, $T_A = 25^\circ\text{C}$)

²⁾ Charge Device Model (CDM) according to: ANSI ESD STM JEDEC JESD 22-C101-A Class III.

5.3 GMR Parameters

All parameters over operating range, unless otherwise specified.

Table 7 Basic GMR Parameters

Parameter	Symbol	Limit Values			Unit	Notes
		min.	typ.	max.		
X, Y Output range	RG_{ADC}	-	-	± 23230	digits	
X, Y Amplitude ¹⁾	A_X, A_Y	7402	12337	15781	digits	@ Calib. Conditions
		3922	-	20620		Operating Range
X, Y Synchronism ²⁾	k	80	100	120	%	@ Calib. Conditions
X; Y Offset ³⁾	O_X, O_Y	-3000	0	3000	digits	@ Calib. Conditions
X, Y Orthogonality Error	φ	-10.0	0	10.0	°	@ Calib. Conditions
X, Y without field	X_0, Y_0	-5000	-	5000	digits	without magnet ⁴⁾

1) See [Figure 4, Page 12](#)

2) $k = 100 \times (A_X / A_Y)$.

3) $O_{SIN} = (Y_{MAX} + Y_{MIN}) / 2$; $O_{COS} = (X_{MAX} + X_{MIN}) / 2$

4) Not tested.

Offset and Amplitude

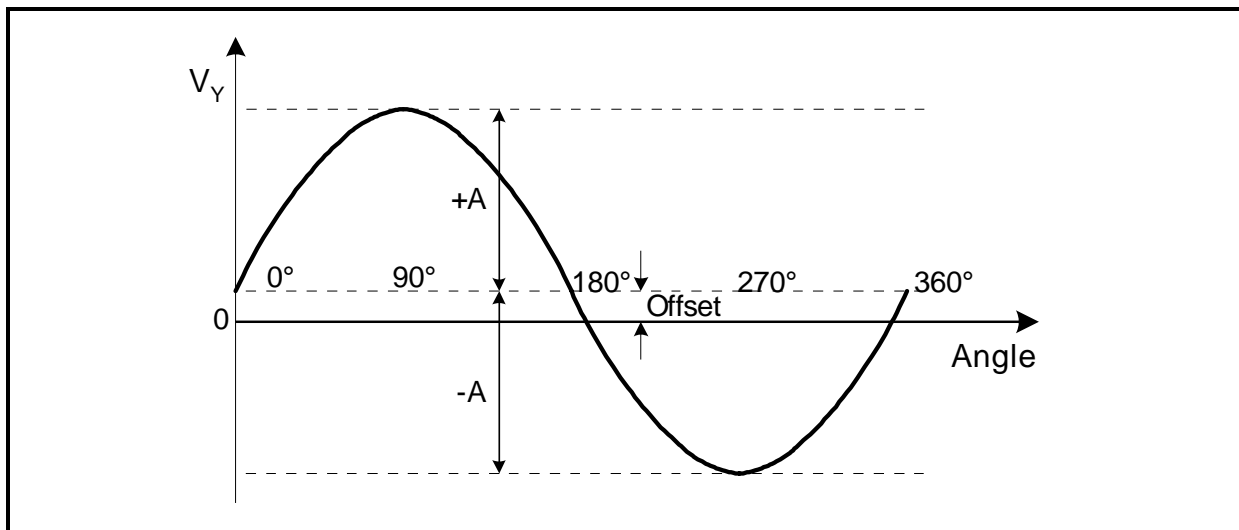


Figure 5 Offset and Amplitude Definition

Amplitude Definition

The amplitude is defined as half difference between the signed maximum and minimum values of the idealized (fitted) sine or cosine wave.

$$A_X = \frac{X_{MAX} - X_{MIN}}{2}$$

$$A_Y = \frac{Y_{MAX} - Y_{MIN}}{2}$$

Offset Definition

The offset of the X and Y signals is defined as the mean value between the signed maximum and minimum values of the idealized (fitted) sine or cosine wave.

$$O_X = \frac{X_{MAX} + X_{MIN}}{2}$$

$$O_Y = \frac{Y_{MAX} + Y_{MIN}}{2}$$

Temperature dependent behavior

The temperature offset gradients for both channels depend on the value at 25°C. It can be calculated using following linear equations:

$$KT_{OX} = tco_d_x + (tco_k_x \times O_{X25})$$

$$KT_{OY} = tco_d_y + (tco_k_y \times O_{Y25})$$

O_{X25} , O_{Y25} : Offset values at 25°C in digits.

Table 8 GMR Temperature Coefficients

Parameter	Symbol	Limit Values			Unit	Notes
		min.	typ.	max.		
Offset Temperature Coefficient base	tco_d_x	-	+0.116296	-	digits_/_K	
	tco_d_y	-	-0.079401	-		
Offset Temperature Coefficient gain	tco_k_x	-	-0.0010147	-	1_/_K	
	tco_k_y	-	-0.0010121	-		

Orthogonality Definition

The corresponding maximum and zero crossing points of the SIN and COS signals are not exactly in a distance of 90°. The difference between X and Y phase is called 'Orthogonality Error'.

$$\varphi = \varphi_X - \varphi_Y$$

$\varphi_{ideal} = 0^\circ$

φ_X : Phase error of X (= cos) Signal

φ_Y : Phase error of Y (= sin) Signal

5.4 Calibration

GMR Values

The end-of-line calibration can be done using following sequence.

The conditions are specified in [Table 9](#).

- Turn magnetic field **left** and measure X and Y values
- Calculation of Amplitude, Offset, Phase correction values of left turn
- Turn further 90° left and 90° back right without measurement
- Turn magnetic field **right** and measure X and Y values
- Calculation of Amplitude, Offset, Phase correction values of right turn
- Calculation of **mean** values of Amplitude, Offset, Phase correction values

The above gained values have to be stored in a non-volatile memory. They are used for the correction of the read-out X and Y values before the angular calculation.

The resulting angular deviation is calculated using above determined parameters.

Temperature Measurement

The signal amplitude T_{25} of the temperature measurement path at calibration conditions has to be measured and stored.

Calibration Conditions

All errors are related to a calibration done using following conditions:

Table 9 GMR calibration conditions

Parameter	Symbol	Limit Values			Unit	Notes
		min.	typ.	max.		
Flux density	B_{CAL}	-	30	-	mT	$B_Z = 0$ mT
Temperature	T_{CAL}	-	25	-	°C	

5.5 Angle Calculation

5.5.1 Components of the Output Signals

The X and Y signals at the output can be described with following equations:

$$X = A_X \times \cos(\alpha + \varphi_X) + O_X$$

$$Y = A_Y \times \sin(\alpha + \varphi_Y) + O_Y$$

A_X : Amplitude of X (= cos) Signal

A_Y : Amplitude of Y (= sin) Signal

O_X : Offset of X (= cos) Signal

O_Y : Offset of Y (= sin) Signal

φ_X : Phase error of X (= cos) Signal

φ_Y : Phase error of Y (= sin) Signal

5.5.2 GMR Error Compensation

Temperature dependent Offset Value

To increase the accuracy, the temperature dependent offset drift can be compensated. The temperature of the chip has to be read out. The Offset values O_X and O_Y have to be multiplied with the Offset temperature coefficient and the temperature value.

$$O_X = O_{X25} + \frac{KT_{OX}}{S_T} \times (T - T_{25})$$

$$O_Y = O_{Y25} + \frac{KT_{OY}}{S_T} \times (T - T_{25})$$

O_{X25} , O_{Y25} : Offset value at 25°C in digits

T_{25} : Temperature value at 25°C in digits

T : Temperature value in digits

S_T : Sensitivity of the temperature measurement path, (see chapter [“Temperature Measurement” on Page 46](#)).

Offset Correction

After read-out of the X and Y value first the temperature corrected offset value has to be subtracted.

$$X_1 = X - O_X$$

$$Y_1 = Y - O_Y$$

Amplitude Normalization

Then the X and Y values are normalized using the peak values determined in the calibration.

$$X_2 = \frac{X_1}{A_X}$$

$$Y_2 = \frac{Y_1}{A_Y}$$

Non-Orthogonality Correction

The influence of the non-orthogonality can be compensated using following equation. Only the Y channel has to be corrected.

$$Y_3 = \frac{Y_2 - X_2 \times \sin(-\varphi)}{\cos(-\varphi)}$$

Resulting Angle

After correction of all errors, the resulting angle can be calculated using the arctan function¹⁾.

$$\alpha = \arctan\left(\frac{Y_3}{X_2}\right) - \varphi_X$$

¹⁾ μC -function "arctan2(Y_3, X_2)" to resolve 360°

5.6 GMR Parameters after Calibration

After calibration under the conditions specified in [Table 9 "GMR calibration conditions" on Page 19](#), the sensor has following remaining error:

The error value refers to $B_z = 0$ mT and operating conditions given in [Table 3 "Operating Range \(- 40°C < T_J < 150°C \)" on Page 14](#).

Table 10 GMR parameter with temperature dependent offset compensation

Parameter	Symbol	Limit Values			Unit	Notes
		min.	typ. 1)	max.		
Overall Error		-	0.7	2,0	°	2) 3)

1) At 25°C, B=30mT

2) incl. hysteresis error

3) At 0h

6 Signal Processing

Table 11 Signal Processing

Parameter	Symbol	Limit Values			Unit	Notes
		min.	typ. ¹⁾	max.		
Internal Cutoff Frequency (-3dB) of sin or cos Value	$f_{\text{Cut-Off}}$	-	4.9	-	kHz	FIR_BYP=0
			19.6			FIR_BYP=1
Update Time of sin or cos Value ²⁾	t_{upd}	-	81,9	-	μs	FIR_BYP=0
		-	20,5	-		FIR_BYP=1
Settle Time ³⁾	t_{settle}	-	163,8	-		FIR_BYP=0
		-	41,0	-		FIR_BYP=1
Peak ADC Output value	ADC_{Pk}	-	-	23230	digits	signed 16 bit integer (2s complement) ^{4) 5) 6)}

1) For 4 Mhz input frequency

2) $t_{\text{upd}} = 8192 / (25 \times f_{\text{CLK}})$ for FIR_BYP = 0
 $t_{\text{upd}} = 8192 / (100 \times f_{\text{CLK}})$ for FIR_BYP = 1

3) $t_{\text{settle}} = 2 \times t_{\text{upd}}$, after change of ADC input source

4) Output values are valid up to this limit. Above it, corrupted results may occur due to non-linearity of the ADC.

5) The internal quantization is typically 5.166 μV per digit.

6) Correspond to max. GMR output value.

7 Clock Supply (CLK Timing Definition)

The clock signal input “CLK” must fulfill certain requirements which are described in the following:

- The high or low pulse width must not exceed the specified values, because the PLL needs a minimum pulse width and must be spike filtered.
- The duty cycle factor should be 0.5 but can deviate to the values limited by $t_{CLKh}(f_{min})$ and $t_{CLKl}(f_{min})$.
- The PLL is triggered at the positive edge of the clock. If more than 2 edges are missing, a chip reset is generated automatically.

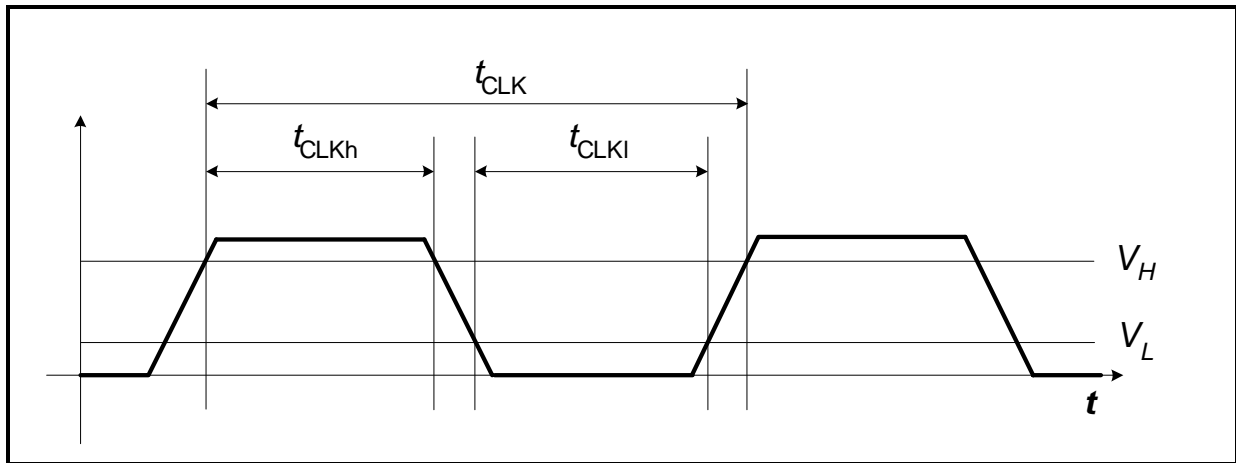


Figure 6 CLK Timing Definition

Table 12 CLK Timing Specification

Parameter	Symbol	Limit Values			Unit	Notes
		min.	typ.	max.		
Input Frequency	f_{CLK}	3.9	4.00	4.2	MHz	
CLK Duty Cycle ¹⁾	CLK_{DUTY}	30	50	70	%	
CLK rise time	t_{CLKr}	-	-	20	ns	from V_L to V_H
CLK fall time	t_{CLKf}	-	-	20	ns	from V_H to V_L
PLL Frequency	f_{PLL}	-	100	-	MHz	$f_{CLK} * 25$
Digital Clock	f_{DIG}	-	25	-	MHz	$(25 / 4) * f_{CLK}$
Digital Clock Period	t_{DIG}	-	40	-	ns	$4 / (25 * f_{CLK})$

¹⁾ Minimum duty cycle factor: $t_{CLKh}(f_{min}) / t_{CLK}(f_{min})$ with $t_{CLK}(f_{min}) = 1 / f_{CLK}(f_{min})$
 Maximum duty cycle factor: $t_{CLKh}(f_{max}) / t_{CLK}(f_{min})$ with $t_{CLKh}(f_{max}) = t_{CLK}(f_{min}) - t_{CLKl}(min)$

Draft

Synchronous Serial Communication Interface (SSC)

8 Synchronous Serial Communication Interface (SSC)

The 3 pin synchronous serial interface (SSC) has a bidirectional data line (open drain), serial clock signal and chip select.

It is designed to communicate with a micro controller with bidirectional SSC interface supporting Open Drain. Other micro controllers may require an external NPN transistor. This allows communication with SPI compatible devices.

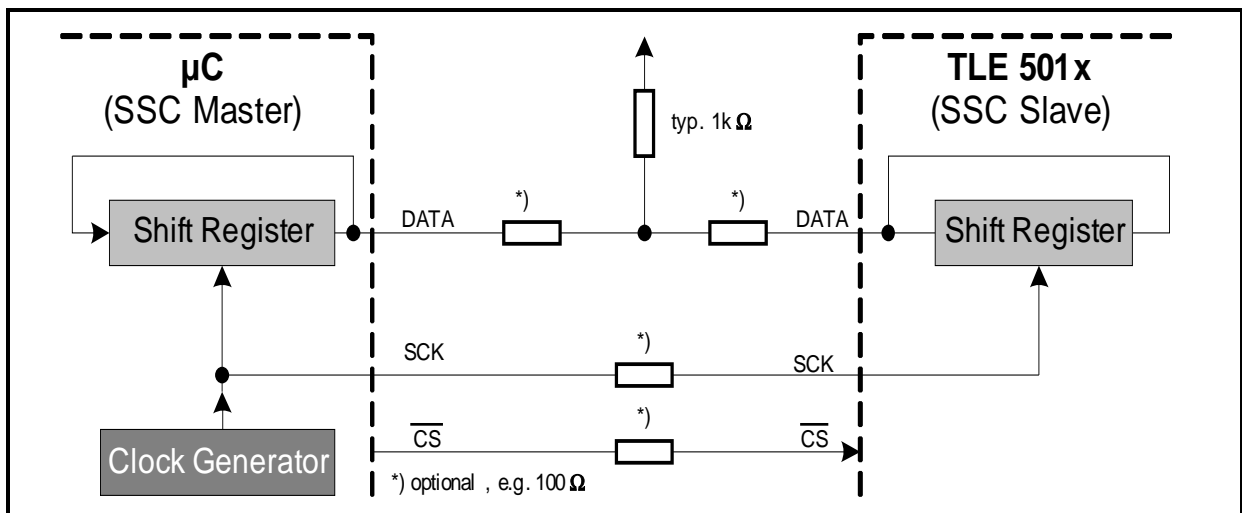


Figure 7 SSC Half-Duplex Configuration for µC with Open Drain support

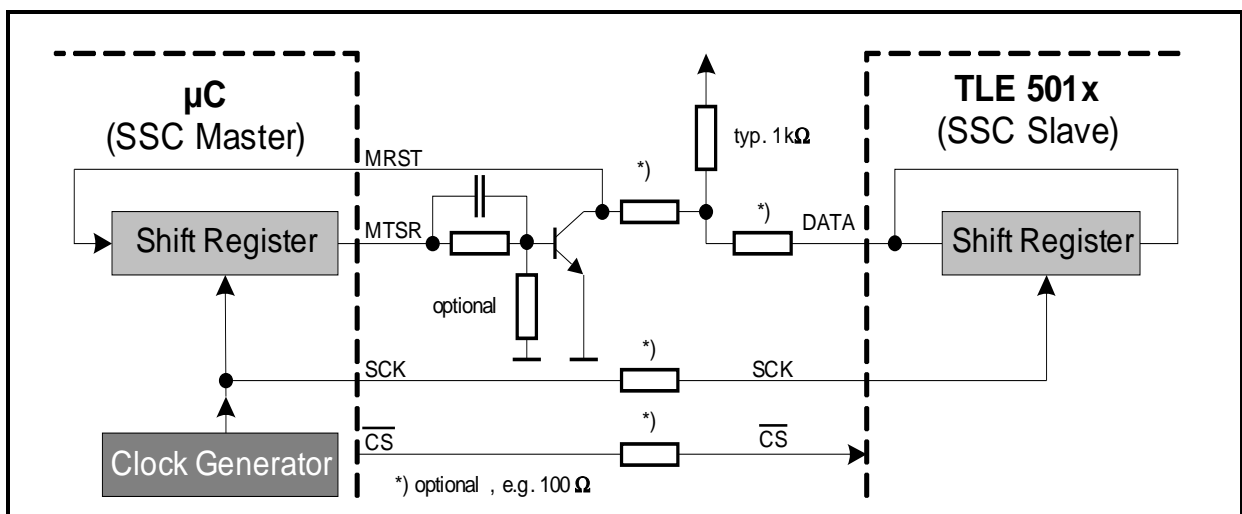


Figure 8 SSC Half-Duplex Configuration for µC without Open Drain support

8.1 SSC Timing Definition

SSC Timing Diagram

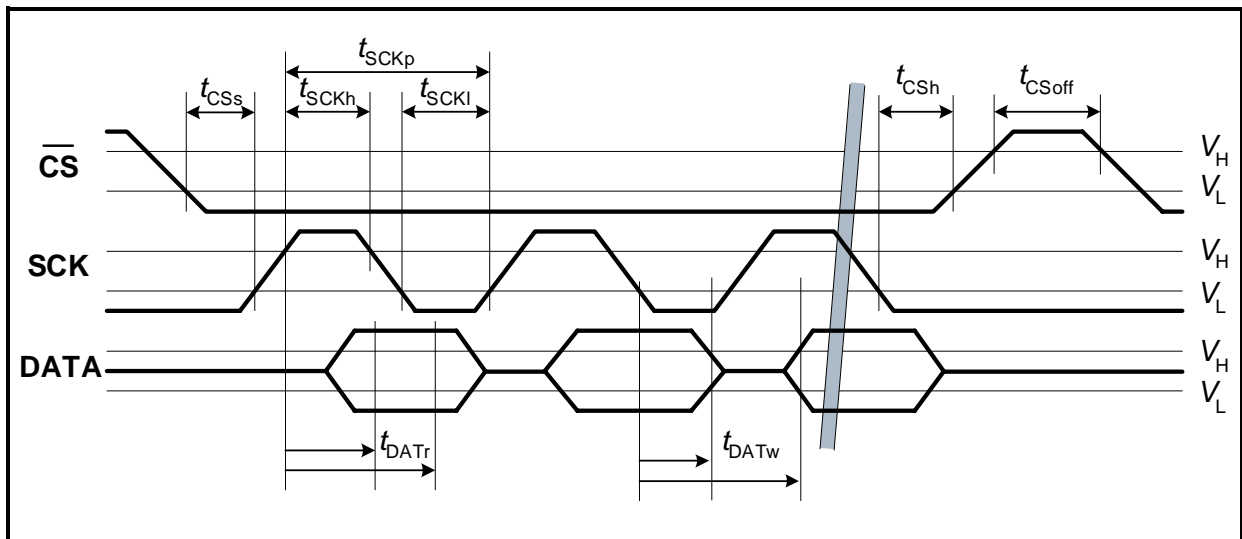


Figure 9 SSC Timing Definition

- SSC Inactive Time (\overline{CS}_{off})**
 The SSC inactive time defines the delay, before the TLE5010 can be selected again after a transfer. The TLE5010 reacts only to one command after SSC inactive time. Then the SSC Interface of the TLE5010 is disabled until the next SSC Inactive Time is performed.
- DATA Write Time (t_{DATw})**
 During this time the TLE5010 changes the data line, thus the data are invalid. The DATA Write Time values are defined without pull-up resistor.
- Pull-up Time Value (t_{pU})**
 The value in [Table 13 "SSC Timing Specification" on Page 27](#) is estimated with 60 ns.
- Chip Select Off time (t_{CSOFF})**

Table 13 SSC Timing Specification ¹⁾

Parameter	Symbol	Limit Values			Unit	Notes
		min.	typ.	max.		
SSC Baud Rate	f_{SSC}	-	2.0	2.1 ²⁾	MBit / s	
CS Setup Time	t_{CSs}	$3 \cdot t_{DIG} + 10$	-	-	ns	
CS Hold Time	t_{CSH}	$5 \cdot t_{DIG} + 10$	-	-	ns	
\overline{CS}_{off}	t_{CSoff}	$10 \cdot t_{DIG}$	-	-	ns	SSC inactive time
SCK High	t_{SCKh}	$5 \cdot t_{DIG}$	-	-	ns	
SCK Low	t_{SCKl}	$5 \cdot t_{DIG}$	-	-	ns	
DATA Read Time (Data Valid Time)	t_{DATr}	$6 \cdot t_{DIG} - 10$	-	$7 \cdot t_{DIG} + 10$	ns	SSC_FILT = 0
		$5 \cdot t_{DIG} - 10$	-	$7 \cdot t_{DIG} + 10$		SSC_FILT = 1
DATA Write Time (Data Valid Time) ³⁾	t_{DATw}	$6 \cdot t_{DIG} + 25$	-	$7 \cdot t_{DIG} + 50$ + t_{PU}	ns	
DATA slope	t_{DATs}	-	20	30 ⁴⁾	ns	Falling edge ⁵⁾

1) Timings have to be calculated acc. [Table 12 "CLK Timing Specification" on Page 24.](#)

2) $f_{CLK}/2$, synchronized to f_{CLK} if $f_{CLK} = f_{CLK}(max)$

3) t_{PU} is the time generated by the pull-up resistor

4) Not tested.

5) Internal slope control of falling edge for data bit transition from V_H to V_L .

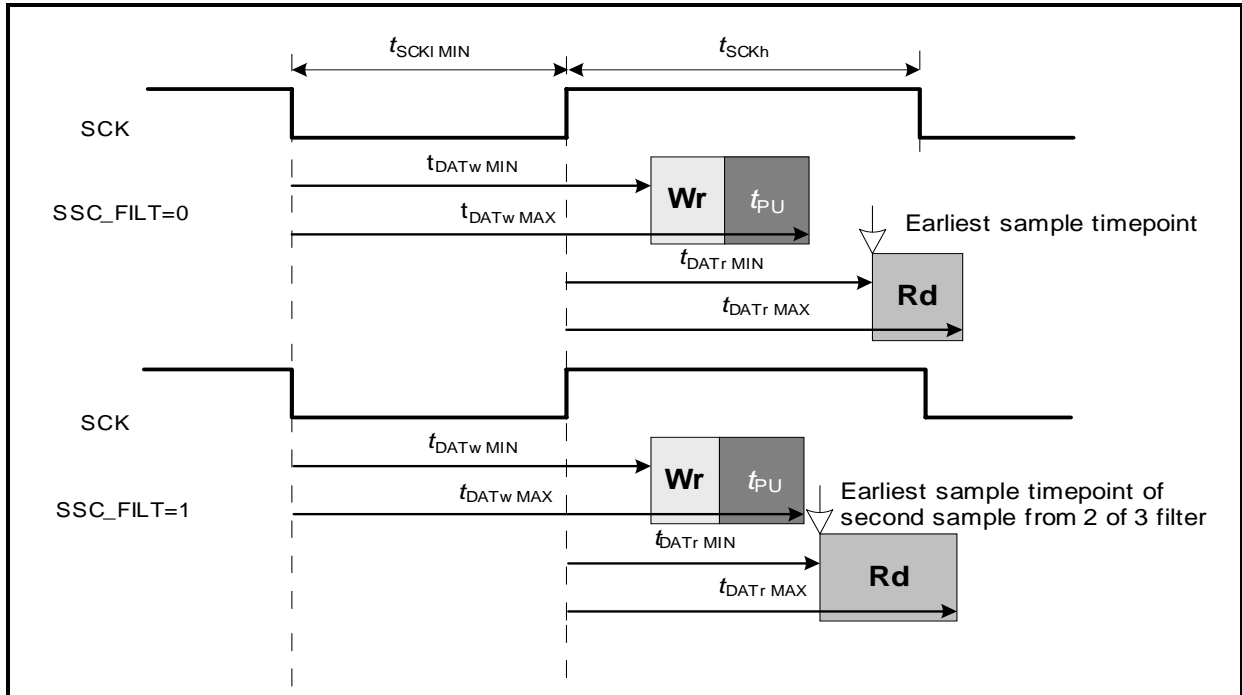


Figure 10 SSC Interface Timing Details with worst-case specified Timing

Note:

- The read window includes the sampling of the data bit.
- For $SSC_FILT = 1$, the 2-of-3 selection is already regarded. Only the 2 last data values have to be equal.
- For $SSC_FILT = 0$ only one sample point is selected.

Draft

Synchronous Serial Communication Interface (SSC)

The margin time in following table is the time between write access to the SSC Data Line and the earliest possible sample read of the TLE5010 itself for read back.

It is useful to have a maximum distance between WRITE and subsequent READ. This ensures a reliable read back of the written data for the Slave-Active Byte generation.

Table 14 Maximum Pull-up Time Margin with worst-case specified Timing

SSC_FILT	SSC_TIMING	Min. t_{PU} Margin ¹⁾	Unit	Comment
0	don't care	90	ns	
1		50		

¹⁾ Calculation: $Margin = t_{SCKI(min)} + t_{DATwMAX} - (t_{PU}) - t_{DATrMIN}$. For $Margin < 50$ ns no problems can occur.

8.2 SSC Baud rate

The SSC Baud rate depends on the internal clock frequency.

12 internal digital clock cycles are necessary to ensure a reliable operation.

Therefore the maximum SSC Baud rate depends on the external CLK.

$$f_{SSC} = \frac{f_{CLK}}{2}$$

8.3 SSC Spike Filter

A SSC Spike Filter for all SSC lines can be selected via the **SSC_FILT** bit.

8.3.1 SSC Spike Filter Off

When the spike filter is disabled, each slope of a rising voltage is used to define a bit.

This is independent of the length of the sampled pulse.

For example a positive spike generates therefore a rising and a falling edge.

Draft

Synchronous Serial Communication Interface (SSC)

8.3.2 SSC Spike Filter On

A sliding window with four consecutive sample bits is analyzed.

The sample frequency is:

$$f_S = \frac{1}{f_{\text{DIGIT}}}$$

Rising Edge Detect for SCK

- After a rising edge (LH combination), at least one of the 2 following samples has to be 'high'. *Valid bit combinations: 0111, 0110, 0101.*
- A falling condition has to be detected before.

Falling Edge Detect for SCK

- After a falling edge (HL combination), at least one of the 2 following samples has to be 'low'. *Valid bit combinations: 1000, 1001, 1010.*
- A rising condition has to be detected before.

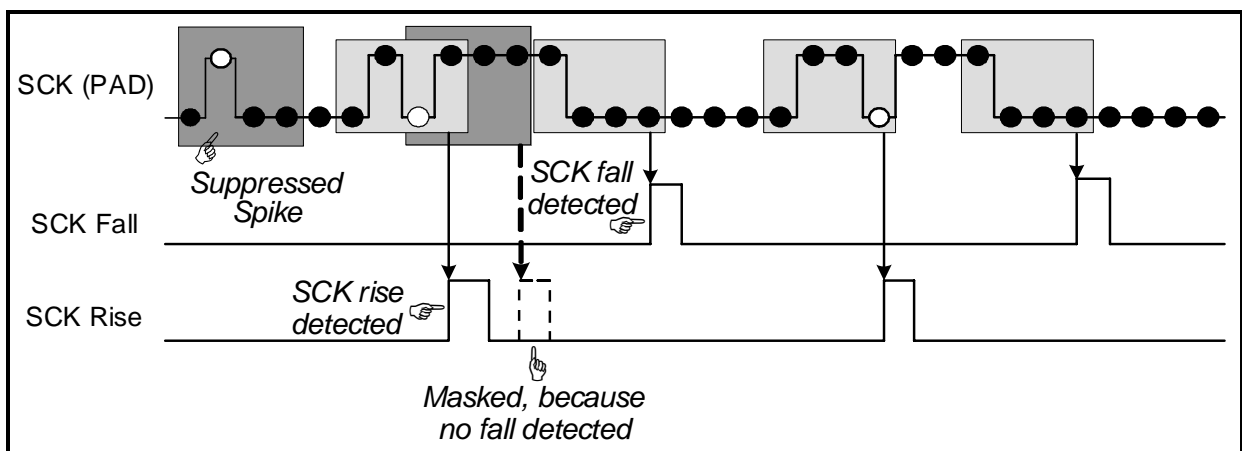


Figure 11 SSC Spike Filter

Filter for DATA and $\overline{\text{CS}}$

- The DATA pin has a '2-of-3' filter.
- The $\overline{\text{CS}}$ input has a '2-of-3' filter, which suppresses only positive spikes.

Draft

Synchronous Serial Communication Interface (SSC)

8.4 SSC Data Transfer

The following transfer bytes are possible:

- Command byte (to access and change operating modes of the TLE5010)
- Data bytes (any data transferred in any direction)
- CRC byte (cyclic redundancy check)
- Slave Active byte (response of all selected slaves)

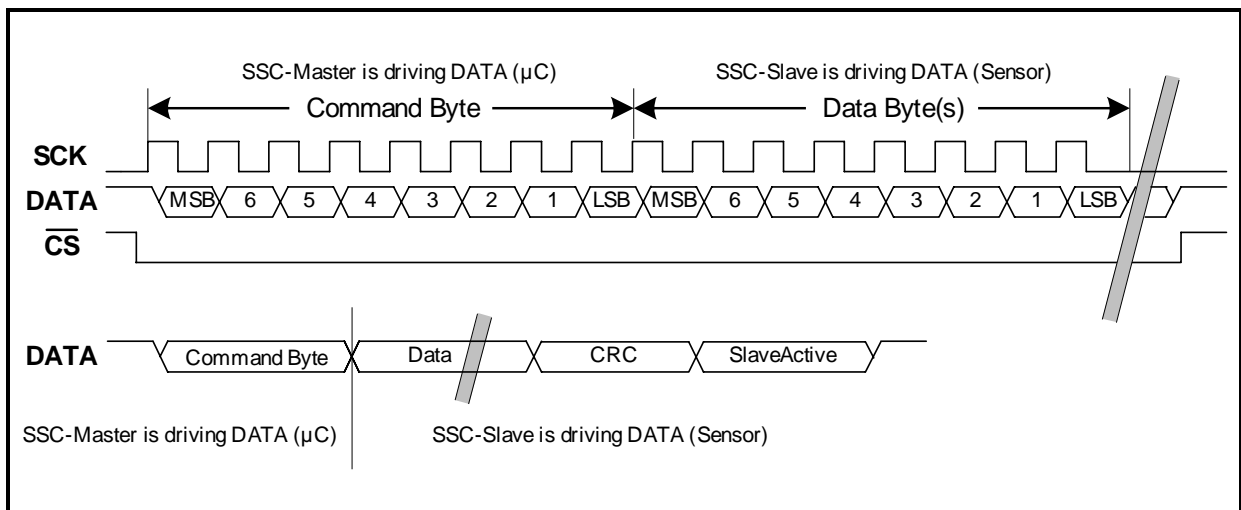


Figure 12 SSC Data Transfer (Data Read Example)

8.5 SSC Command Byte

The TLE5010 is controlled by a command byte. It is sent first at every data transmission.

Table 15 Structure of the Command Byte

Name	Bits	Description
RW	[7]	Read - Write '0' = write, '1' = read
ADDR	[6..3]	Address to be read / written '0..15' - register start address (address auto increment)
ND	[2..0]	Number of data bytes '0..7' - number of data bytes to be transferred

9 Register Table

This chapter defines the complete address range as well as all registers of the TLE5010. It also defines the read/write access rights of the specific registers. In the following table values through symbols are listed. Access to the registers is done via the SSC interface.

Table 16 Address Map

Addr.	Name	Bits							
		7	6	5	4	3	2	1	0
00 _H	CTRL1	-	-	-	-	SSC_FILT	-	AUTO	UR
01 _H	XL	X _{Low}							
02 _H	XH	X _{High}							
03 _H	YL	Y _{Low}							
04 _H	YH	Y _{High}							
05 _H	FCNT_STAT	-	STAT_VR	GMR_OFF	UPDATE	FCNT			
06 _H	FSYNC_INV	FILT_INV	FSYNC						
07 _H	ANGT	-	ANGT_EN	ANGT_Y		ANGT_X			
08 _H	-	reserved							
09 _H	-	reserved							
0A _H	-	reserved							
0B _H	-	reserved							
0C _H	TST	TEMP_EN	ADCPY	FILT_PAR	FILT_CRS	FILT_BYP	TST_ADC	TST_GMR	TST_CHAN
0D _H	ID	DEV_ID				REV_ID			
0E _H	LOCK	LOCK							
0F _H	CRTL2	VDD_OV	VDD_OFF	GND_OFF	VRG_OV	VRA_OV	VRD_OV	S_NO	

Draft

Register Table

Bit Types

Abbreviation	Function	Description
L	Locked	Locked register. These registers can only be written, when the unlock-value is written in the lock register (0E_H). This ensures, that these bits cannot be modified unwanted during normal operation.
U	Update	Update-Buffer is for this bit is present. In case of an Update Command and the Update-Mode bit (UR in CTRL1) is set, the immediate values are stored in this Update-Buffer simultaneous. This enables a snapshot of all necessary system parameters at the same time.
S	Status	Reset only after readout
R	Read	Read-only registers
W	Write	Read and write registers

Draft
Register Table
CTRL1
Addr: 00_H
Reset Value: 01_H

7	6	5	4	3	2	1	0
reserved	reserved	reserved	reserved	SSC_FILT	reserved	AUTO	UR
-	-	-	W L	W L	-	W L	W L

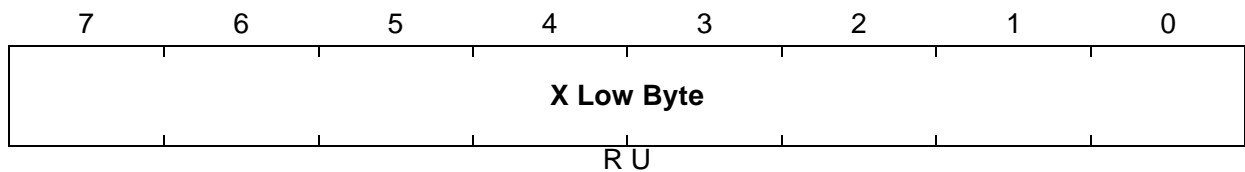
Field	Bits	Type	Description
reserved	7	-	reserved, has to be set to 0
reserved	6	-	reserved, has to be set to 0
reserved	5	-	reserved, has to be set to 0
reserved	4	-	reserved, has to be set to 0
SSC_FILT	3	W L	SSC Digital Spike Filter enable for all SSC lines (CS, CLK and DATA) 0: Digital SSC Spike filters off 1: Digital SSC Spike filters on (modified timing)
reserved	2	-	reserved, has to be set to 0
AUTO	1	W L	Automatic update at angle tests 0: no automatic update in Angle Test Mode 1: automatic update-command after t_{settle} , counters FSYNC and FCNT are reset to "0". Then the Angle-Test (ANGT_EN) is automatically disabled and switches back to normal operation. Also the UPDATE bit is toggled
UR	0	W L	Update / Run Mode 0: Run Mode (Buffer1 values are immediate values) 1: Update Mode (Buffer2 values are stored values)

The values in Register 01H to 04H represent one byte of two's complement signed 16 bit integer values.

X_L

Addr: 01_H

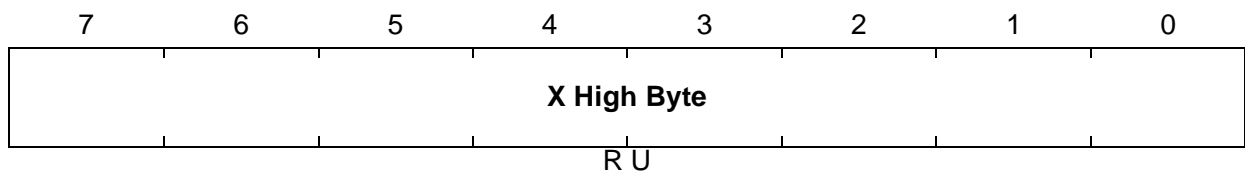
Reset Value: 00_H



X_H

Addr: 02_H

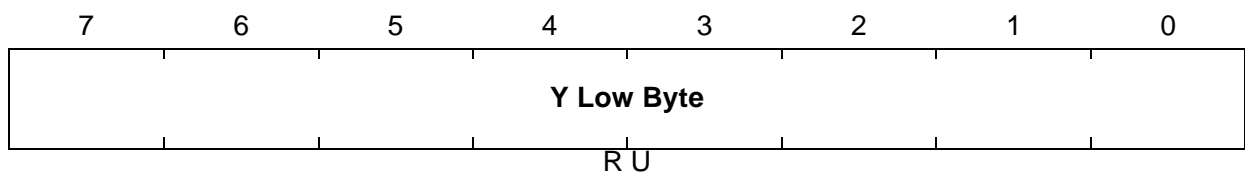
Reset Value: 00_H



Y_L

Addr: 03_H

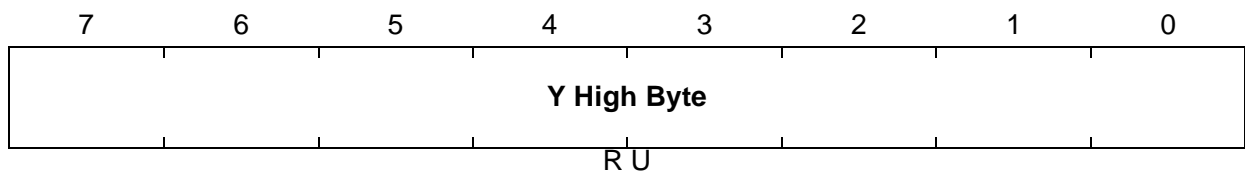
Reset Value: 00_H



Y_H

Addr: 04_H

Reset Value: 00_H



Draft
Register Table
FCNT_STAT
Addr: 05_H
Reset Value: 80_H

7	6	5	4	3	2	1	0
reserved	STAT_VR	GMR_OFF	UPDATE	FCNT			
-	R S	R U	R S	R U			

Field	Bits	Type	Description
reserved	7	-	
STAT_VR	6	RS	Voltage Regulator Status This bit is a logical OR combination of Digital, Analog, GMR and VDD _{OV} Comparator and GND _{OFF} , and VDD _{OFF} Comparator outputs. 0: Voltage Supply ok 1: Voltage Supply not ok
GMR_OFF	5	RU	ADC Values are no GMR values (e.g.: Temperature measurement is active) This bit indicates, whether GMR values or any other values are connected to the ADCs. This value is read back from the multiplexer control signals. 0: X,Y Values are GMR values 1: X,Y Values normally represent temp. measurement or angle test values. In case of non functional MUX this bit is set to "1"
UPDATE	4	RU	Update Toggle bit. This bit toggles after every update (update command or automatic update at angle test) The bit is independent of 'UR' bit in CTRL1
FCNT	3-0	RU	Frame Counter (4 bit unsigned integer value) This counter counts every new X,Y value pair coming out of the data path. (approx. 80µs) This counter is reset to 0 _H after any write to FSYNC and after every change of the ANGT_EN bit. As t_{settle} time has to be waited for valid X,Y data, this counter must be $\geq 2_{\text{H}}$ to indicate valid X,Y values. If it overflows, it resets to 3 _H to show, that values are still valid. <i>Note: If FIR_BYP is activated, this counter counts 4 times faster!</i>

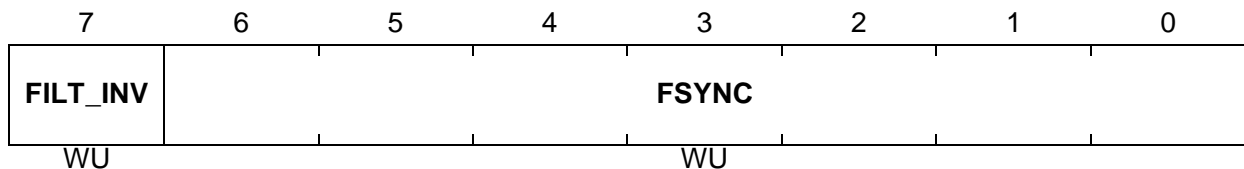
Draft

Register Table

FSYNC_INV

Addr: 06_H

Reset Value: 00_H

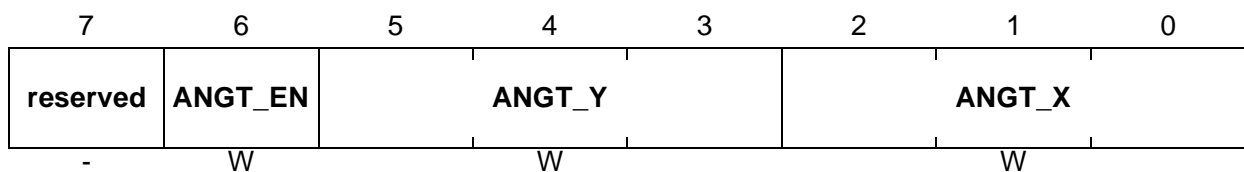


Field	Bits	Type	Description
FILT_INV	7	WU	Filter Input Inversion (to check the digital data path during operation) 0: Filter Inputs are not inverted 1: Filter Inputs are inverted
FSYNC	6-0	WU	Frame Synchronization (7bit unsigned integer value) The Filter Update time of approx. 80 μs results from the filter decimation. The phase of this decimation can be set and checked by this counter. If FIR_BYD is activated, this counter overflows at the value 31 _D .

ANGT

Addr: 07_H

Reset Value: 00_H



Field	Bits	Type	Description
reserved	7	-	reserved, has to be set to 0
ANGT_EN	6	W	Angle Test Enable 0: Angle Test disable command 1: Angle Test enable command in this case X and Y values represent resistive test values, which can be used to simulate angle values
ANGT_Y	5-3	W	Angle Test X and Y value
ANGT_X	2-0	W	see : Table 17 "Functional Angle Test" on Page 45

Draft

Register Table

Reserved Registers (08_H to 0B_H)

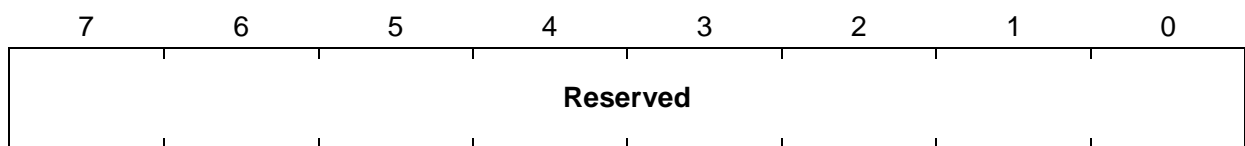
The values in these registers are 8 bit unsigned integer values.

The values in addr.8 and addr.9 have to be in reset status.

Reserved

Addr: 08_H

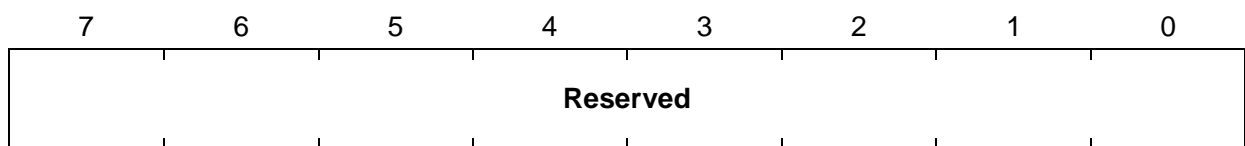
Reset Value: FF_H



Reserved

Addr: 09_H - 0B_H

Reset Value: 00_H



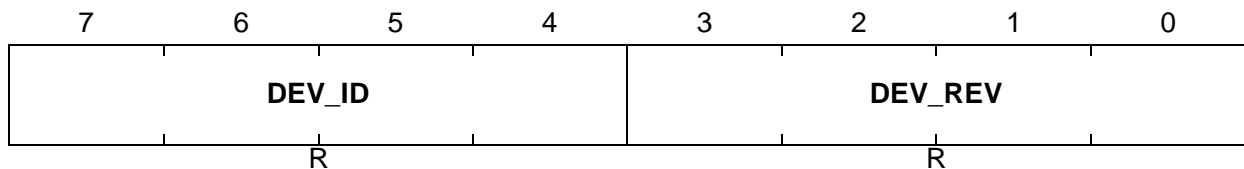
Draft
Register Table
TST
Addr: 0C_H
Reset Value: 00_H

7	6	5	4	3	2	1	0
TEMP_EN	ADCPY	FILT_PAR	FILT_CRS	FIR_BYP	TST_ADC	TST_GMR	TST_CHAN
W L	W L	W L	W L	W L	W L	W L	W L

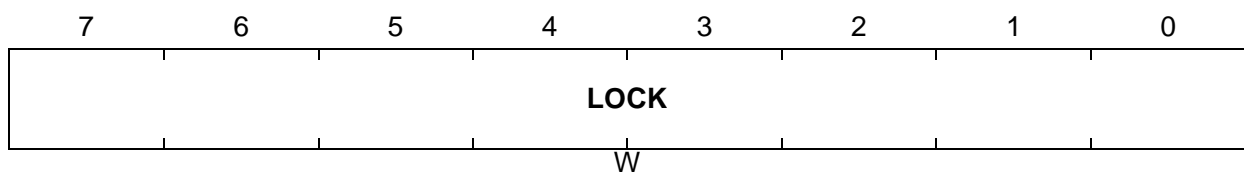
Field	Bits	Type	Description
TEMP_EN	7	W L	Temperature Device Enable 0: Temperature Measurement disabled 1: Temperature Measurement enabled The X value represents the temperature. Automatic update mode enabled, if AUTO='1'
ADCPY	6	W L	Y Polarity 0: No inversion of Y bit stream 1: Inversion of Y bit stream (rotating direct. changed)
FILT_PAR	5	W L	Filter switched parallel 0: Filters in normal mode 1: Filters parallel, input selected by TST_CHAN
FILT_CRS	4	W L	Filter switched across 0: Filters in normal mode 1: Filters crossed, X and Y outputs are exchanged
FIR_BYP	3	W L	FIR Filter Bypass 0: No FIR Bypass 1: FIR Bypass
TST_ADC ¹⁾	2	W L	ADC input switch to TST1and TST2 0: No ADC input switch, normal operation 1: ADC input switched to TST1,2, ADC selected by TST_CHAN ²⁾
TST_GMR ¹⁾	1	W L	GMR switch to TST1and TST2 0: No GMR switch, normal operation 1: GMR switched to TST1,2 ²⁾
TST_CHAN	0	W L	Test Channel select 0: X channel linked to TST1and TST2 1: Y channel linked to TST1and TST2

¹⁾ Only for test purposes

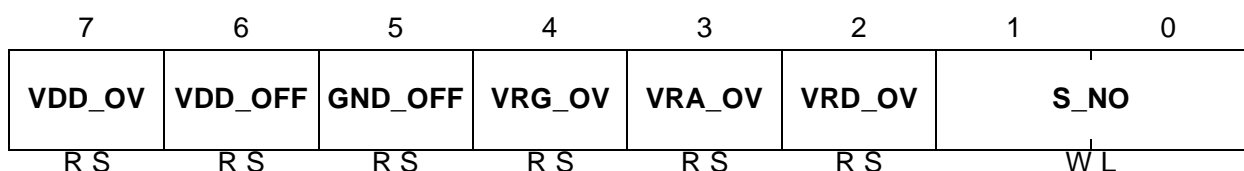
²⁾ if TST_ADC and TST_GMR are set to '1' at the same time, TST_GMR is forced to 0. TST_ADC has the higher priority.

Draft
Register Table
ID
Addr: 0D_H
Reset Value: 12_H


Field	Bits	Type	Description
DEV_ID	7-4	R	Device Identifier 001 _H : TLE5010 productive chip
DEV_REV	3-0	R	Device Revision (current number) 00 _H : TLE5010 productive chip, 1st revision (B11) 01 _H : TLE5010 productive chip, 2nd revision (B21) 02 _H : TLE5010 productive chip, 3rd revision (B31) 03 _H : TLE5010 productive chip, 4th revision (B41) (Referred to errata sheets for further versions)

LOCK
Addr: 0E_H
Reset Value: 00_H


Field	Bits	Type	Description
LOCK	7-0	W	Lock Byte ≠ 5A _H : Lock registers locked = 5A _H : Lock registers unlocked

CTRL2
Addr: 0F_H
Reset Value: 00_H


Draft
Register Table

Field	Bits	Type	Description
VDD_OV	7	R S	V _{DD} Overvoltage Comparator 0: No V _{DD} Overvoltage occurred 1: V _{DD} Overvoltage occurred
VDD_OFF	6	R S	V _{DD} - Off Comparator 0: No V _{DD} - Off occurred 1: V _{DD} - Off occurred
GND_OFF	5	R S	GND - Off Comparator 0: No GND - Off occurred 1: GND - Off occurred
VRG_OV	4	R S	GMR Voltage Regulator Overvoltage Comparator 0: Voltage ok 1: VRG Overvoltage occurred
VRA_OV	3	R S	Analog Voltage Regulator Overvoltage Comparator 0: Voltage ok 1: VRA Overvoltage occurred
VRD_OV	2	R S	Digital Voltage Regulator Overvoltage Comparator 0: Voltage ok 1: VRD Overvoltage occurred
S_NO	1-0	W L	Slave Number Used in the SSC protocol

10 Data Communication via SSC

- The data transmission order is 'MSB first'.
- Data is put on the data line with the rising edge on SCK and read with the falling edge on SCK.
- The SSC interface is byte aligned. Functions are activated after each transmitted byte.
- A "high" condition on the negated chip select pin (CS) of the selected TLE5010 interrupts the transfer immediately. The CRC calculator is automatically resetted.
- Every access to the TLE5010 with ND (number of data) ≥ 1 is done with address auto increment.
- After an auto-increment overflow the addresses are beginning from 00_H again.
- For every data transfer with ND ≥ 1 a 8 bit CRC byte will be appended by the selected TLE5010. No CRC byte is sent in a data transfer with ND = 0 (e.g. Update Command).
- After the CRC byte is sent, the bit represented by S_NO is pulled low by the selected slave in the Slave-Active-Byte (bits [3..0], low nibble). In this way, also broadcast-messages produce an individual feedback of every selected slave. This is necessary to differentiate the individual TLE5010 slave response, because the CRC byte is written by both TLE5010 in parallel.
- If the CRC byte on the bus is the same as the internal generated CRC of each TLE5010, each slave pulls low the dedicated bit in the Slave-Active-Byte (bits [7..4], high nibble). If not, the bit in the high nibble remains '1'.
- A write command to address 00_H with ND = 0 will update all values inside the TLE5010, and only in this case the transfer can proceed. Furthermore this command is add to the CRC-calculation of the following SSC Transfer.
- A command of "0000_0000" is called '**Update Command**'. This command transfers the present immediate values of each register to the update register. After an Update Command, the CS line need not set and reset again.
- After the CRC and Slave-Active byte have been sent the transfer ends. The TLE5010 always sends logical "1" and all following sent bits from the SSC Master are ignored (TLE5010 is in idle mode). To enable data transfers again the chip select pin (CS) of the TLE5010 has to be deselected for CS_{off} (see [Table 13](#)) once.
- If the update mode is selected (CTRL register, UR = '1'), all accesses are done to update registers where update registers are present. Other registers are accessed directly.

10.1 CRC Generation

- This CRC is according to the *J1850* Bus-Specification of 15.Feb.1994 for Class B Data Communication.
- Every new transfer resets the CRC generation.
- Every byte of a transfer will be taken into account to generate the CRC (also the sent command(s)).
- Generator Polynomial: $X^8+X^4+X^3+X^2+1$, for the CRC generation the fast CRC generation circuit is used. (See [Figure 13](#))
- The remainder of the fast CRC circuit is initial set to '11111111_B'.
- Remainder is bit inverted before transmission.

[Figure 13](#) shows the fast CRC Polynomial.

The zero extension for initial CRC calculation is included!

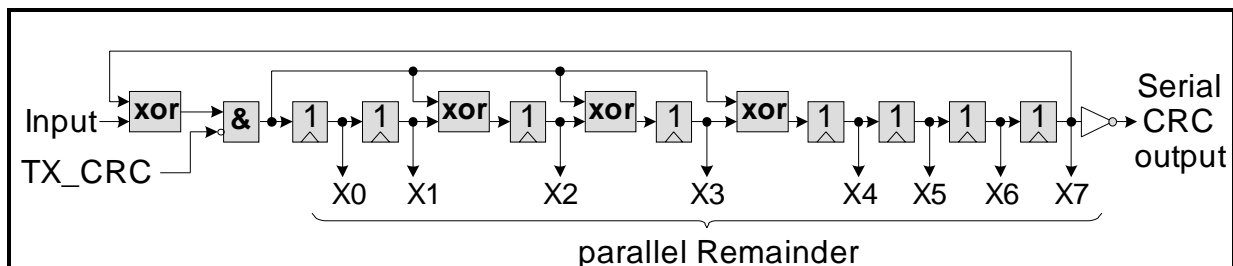


Figure 13 Fast CRC polynomial division circuit

10.2 Slave Active Byte Generation

The position of the '0' in a nibble corresponds to the given slave number.

The slave active byte (cccc_nnnn) is made up of a

- **low nibble** (nnnn). One '0' is generated always according to the slave number.
- **high nibble** (cccc). The '0' is only generated, if the readback CRC is correct.

Slave1: S_NO = 0 ⇒ bit 0 is pulled low Slave Active Byte: 1110_1110

Slave2: S_NO = 1 ⇒ bit 1 is pulled low Slave Active Byte: 1101_1101

Slave3: S_NO = 2 ⇒ bit 2 is pulled low Slave Active Byte: 1011_1011

Slave4: S_NO = 3 ⇒ bit 3 is pulled low Slave Active Byte: 0111_0111

Example for a communication disturbed by other bus participants:

Slave1: S_NO = 0 ⇒ bit 0 is pulled low, but the high nibble remains as '1111'.

> Slave Active Byte: 1111_1110

Example: Update X and Y and set ADC-Test Mode

```

Command   Data      CRC (init all '0')
00000001  00000101  00000000
-----
xor 11111111
-----
=11111110.0      .      .A
xor 10001110.1   .      .
-----.-
= 01110000.10   .      .B
xor 1000111.01  .      .
-----.-
= 0110111.110  .      .C
xor 100011.101  .      .
-----.-
= 10100.0110   .      .D
xor 10001.1101  .      .
-----.-
= 00101.101101 .      .E
xor 100.011101  .      .
----.-
= 001.11000001. .      .F
xor 1.00011101. .      .
----.-
= .11011100.0   .      .G
xor .10001110.1 .      .
.-
= 1010010.10   .      .H
xor 1000111.01 .      .
-----.-
= 10101.1100   .      .I
xor 10001.1101 .      .
-----.-
= 100.000100   .      .J
xor 100.011101 .      .
----.-
=01100100. Remainder
      10011011  inverted Remainder

Transmitted Sequence:
Command  Data      CRC
00000001 00000101 10011011

```


11 Test Structures

Two different test signal structures are implemented in the TLE5010. These are:

- Functional angle test. In this case, well-known signals feed the ADCs.
- Temperature measurement. This is useful to read out the chip temperature for compensation purposes.

11.1 Functional Angle Tests

It is possible to feed the ADCs with appropriate values to simulate a certain magnet-position and other GMR effects.

The values are generated with resistors on the chip.

Following X / Y ADC values can be programmed:

- 4 points, circle amplitude = 70.7%
(0°, 90°, 180°, 270°)
- 8 points, circle amplitude = 100.0%
(0°, 45°, 90°, 135°, 180°, 225°, 270°, 315°)
- 8 points, circle amplitude = 122.1%
(35.3°, 54.7°, 125.3°, 144.7°, 215.3°, 234.7°, 305.3°, 324.7°)
- 4 points, circle amplitude = 141.4%
(45°, 135°, 225°, 315°)

Note: The 100% values correspond to typically 21700 digits and a voltage of ~ 110 mV.

Table 17 Functional Angle Test

Register Bits	X / Y Values (decimal)		
	min.	typ.	max.
000	-400	0	400
001	14800	15500	16200
010	20700	21700	22700
011	32767		
100 ¹⁾	-400	0	400
101	-14800	-15500	-16200
110	-20700	-21700	-22700
111	-32768		

¹⁾ Not allowed to use.

ADC Test Vectors

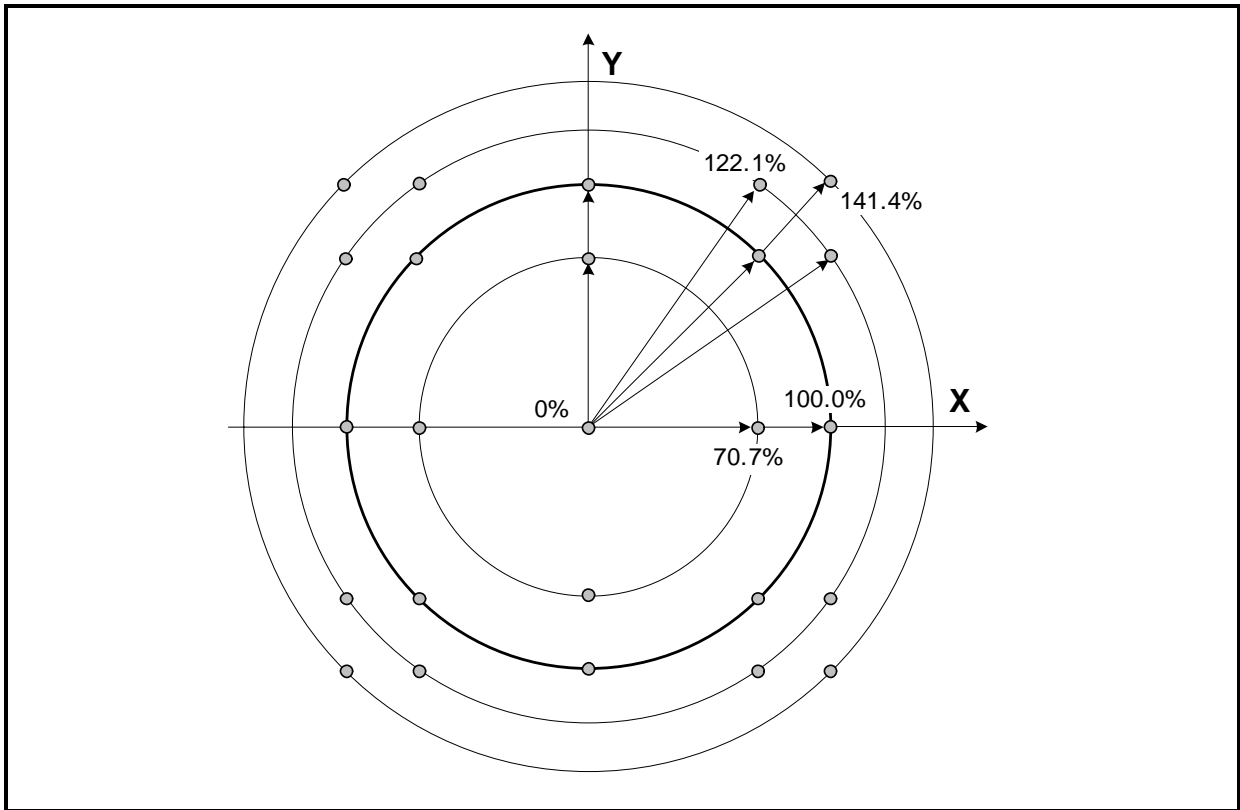


Figure 14 ADC Test Vectors

11.2 Temperature Measurement

An internal bandgap voltage can be used to measure the temperature on the chip. This may be used to compensate temperature dependent errors.

The temperature value is sent out instead of the X value.

Table 18 Temperature Measurement

Parameter	Symbol	Limit Values			Unit	Notes
		min.	typ.	max.		
Value at -40°C	T_{-40}	-	-	+22000	digits	
Value at 25°C	T_{25}	+2550	+5775	+9000	digits	
Value at 150°C	T_{150}	-22000	-	-	digits	
Temperature Sensitivity	S_T	-	-188.75	-	dig / K	¹⁾

¹⁾ Should be used for temperature compensation of offset errors

11.3 Angle Test and Temperature Measurement Timing

The angle test and the temperature readout is based on the same mechanism. In the Normal Mode, the output path is linked to the angle test or temperature measurement unit until the mode is terminated.

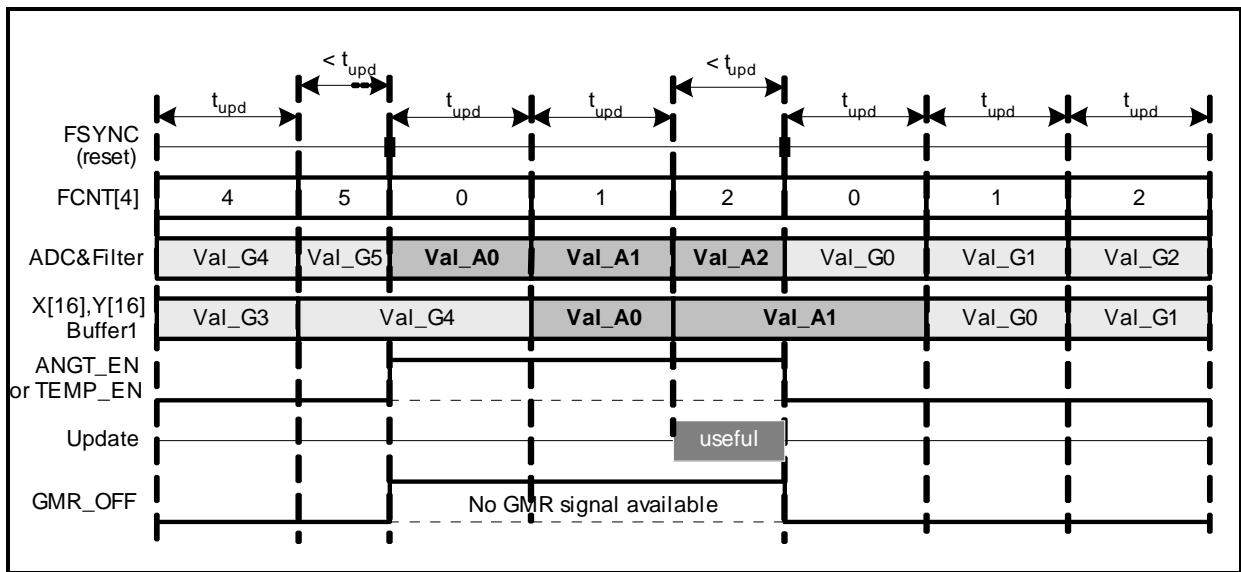


Figure 15 Measurement in Normal Mode

In the Automatic Mode, the signal is automatically switched back to GMR measurement after the read-out of one value.

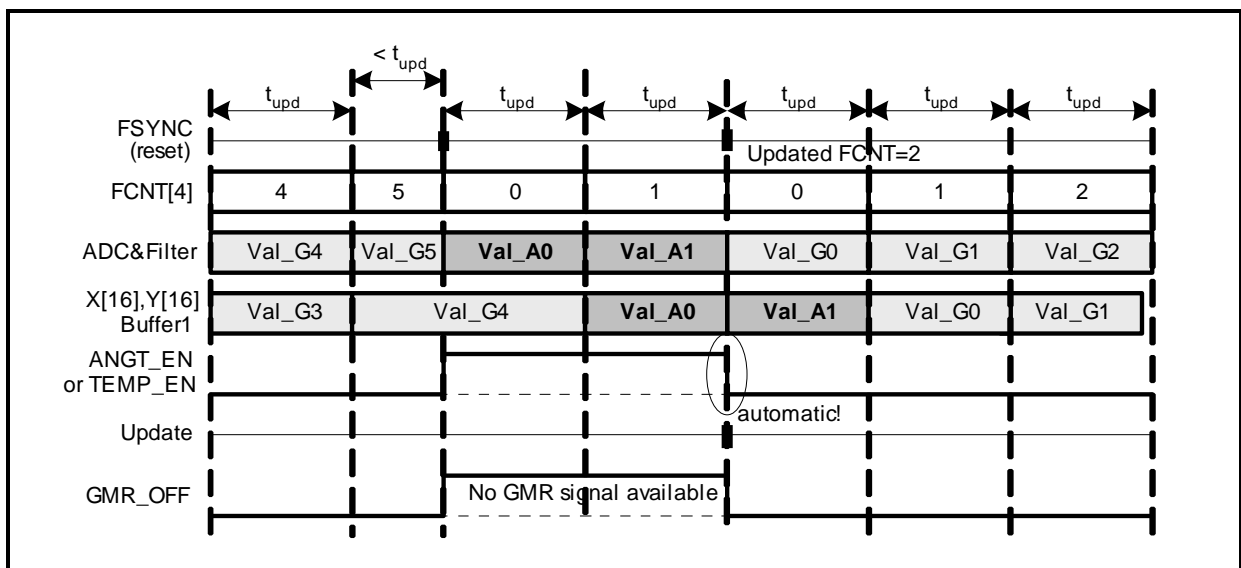


Figure 16 Measurement in Automatic Mode

12 Overvoltage Comparators

Various comparators monitor the voltage in order to ensure a error free operation. The overvoltages must be active for at least t_{DEL} to set the test comparator bits in the SSC Interface registers. This works as digital spike suppression.

Table 19 Test Comparators

Parameter	Symbol	Limit Values			Unit	Notes
		min.	typ.	max.		
Overvoltage Detection	V_{OVG}	-	2.80	-	V	
	V_{OVA}	-	2.80	-	V	
	V_{OVD}	-	2.80	-	V	
V_{DD} Overvoltage	V_{DDOV}	-	6.5	-	V	
GND - Off Voltage	V_{GNDoff}	-	0.54	-	V	$V_{GND_OFF} = V_{GND} - V_{TST1}$
V_{DD} - Off Voltage	V_{VDDoff}	-	0.48	-	V	$V_{VDD_off} = V_{CLK} - V_{DD}$ or $V_{SCK} - V_{DD}$
Spike filter Delay	t_{DEL}	-	10	-	μs	The error condition has to be longer than this value (min. 256 clocks of f_{DIG})

12.1 Internal Supply Voltage Comparators

Every voltage regulator has an overvoltage comparator to detect a malfunction. If the nominal output voltage of 2.5 V is larger than V_{OVG} , V_{OVA} and V_{OVD} , then this overvoltage comparator is activated. It sets the VRx_OV bit.

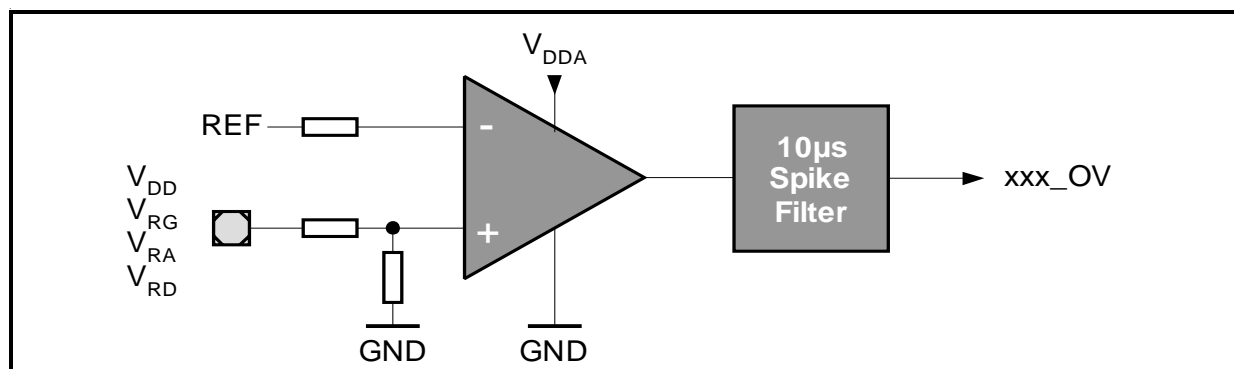


Figure 17 OV Comparator

12.2 V_{DD} Overvoltage Detection

This comparator (see [Figure 17](#)) monitors the external supply voltage at the V_{DD} pin. It activates the $STAT_VR$ bit.

12.3 GND - Off Comparator

This comparator is used to detect a voltage difference between the GND pin and TST1 (which must be soldered to GND in the application). It activates the *STAT_VR* bit.

This circuit can detect a disconnection of the Supply GND Pin.

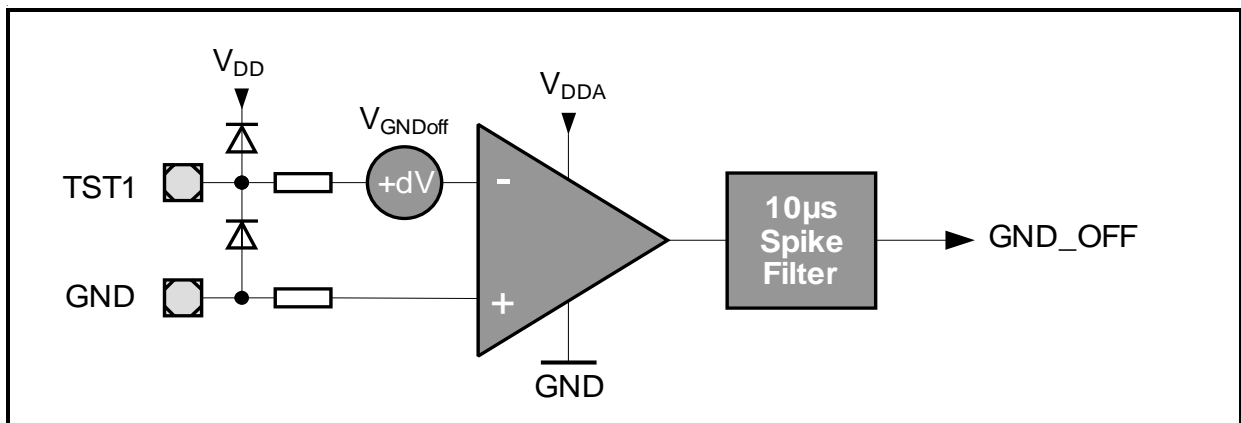


Figure 18 GND - Off Comparator

12.4 V_{DD} - Off Comparator

This comparator detects a disconnection of the V_{DD} pin supply voltage. In this case the TLE5010 is supplied by the SCK, CLK and CS input pins via the ESD structures. It activates the *STAT_VR* bit.

The retriggerable analog monoflop is necessary because of the not static signal of the CLK and SCK signals.

This comparator is also activated, if spikes on CLK or SCK achieve the condition:

$$(V_{CLK} - V_{DD}) > V_{VDDoff} \quad \text{or} \quad (V_{SCK} - V_{DD}) > V_{VDDoff}$$

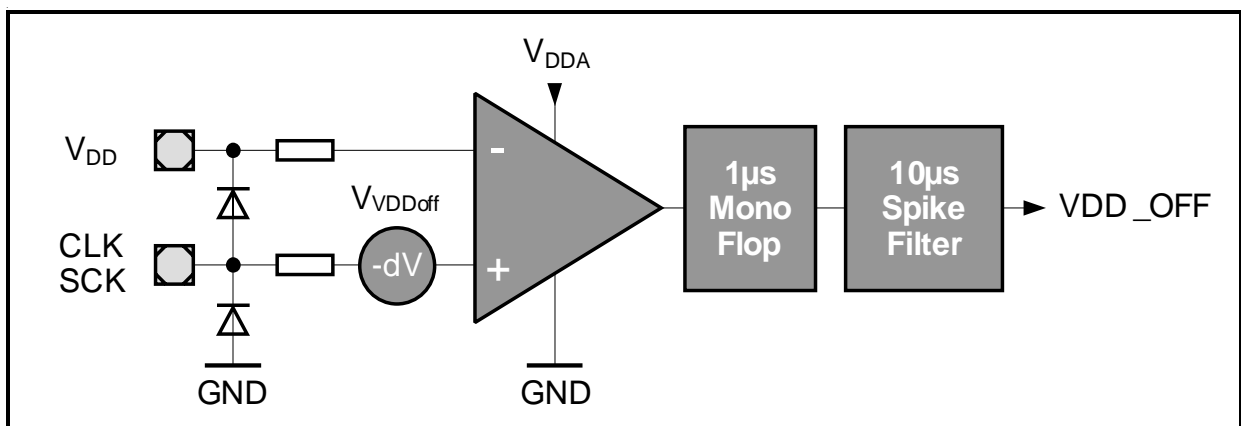


Figure 19 V_{DD} - Off Comparator

13 Typical Application Circuit

The application circuit shows the μ C version with open drain capabilities.

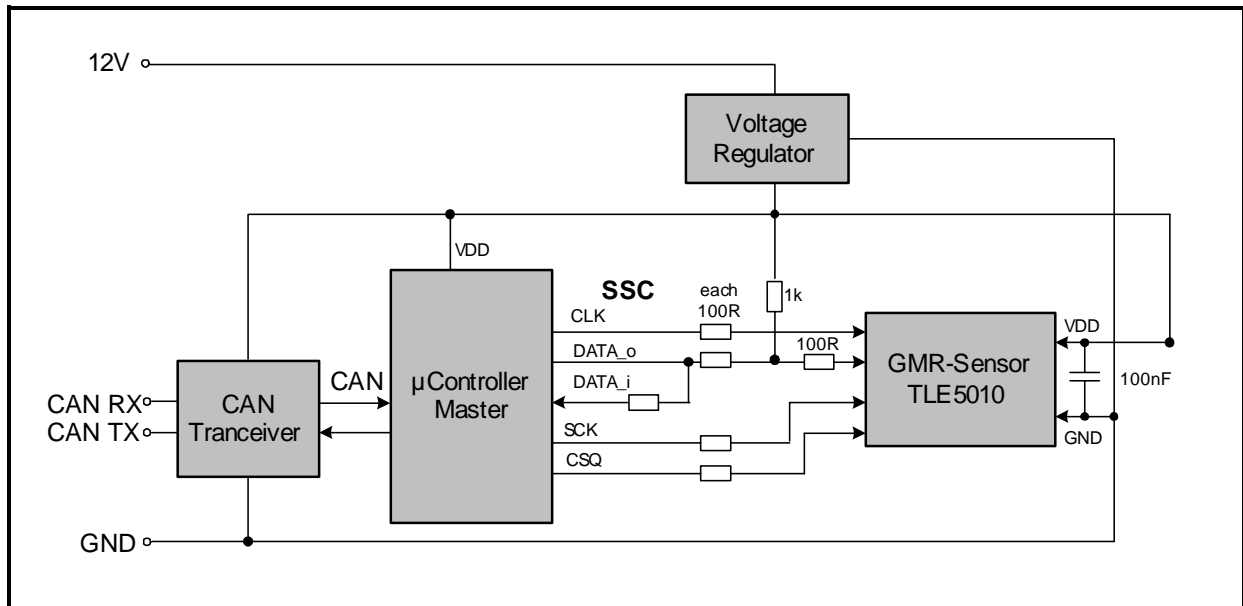


Figure 20 Application Circuit

13.1 Angle Sensor System

A complete system may consist out of one TLE5010 and a micro controller. The second TLE5010 can be redundant in order to increase the system reliability. The μ C should contain a CORDIC coprocessor for fast angle calculations and a flash memory for the calibration data storage.

14 Package Information

14.1 Package Parameters

Table 20 Package Parameters

Parameter	Symbol	Limit Values			Unit	Notes
		min.	typ.	max.		
Thermal Resistance	R_{thJA}	-	150	200	K/W	Junction to Air ¹⁾
	R_{thJC}	-	-	75	K/W	Junction to Case
	R_{thJL}	-	-	85	K/W	Junction to Lead
Soldering Moisture Level	MSL 3					260°C
Lead frame	Cu194 / OLIN					Fe 2.35%, P 0.03%, Cu 97.5%, Zn0.12% stamped
Plating	Sn 100%					> 7 µm
Molding Compound	EME-G700					Halogen Free

¹⁾ according to Jedec JESD51-7

Package Outline PG-DSO-8

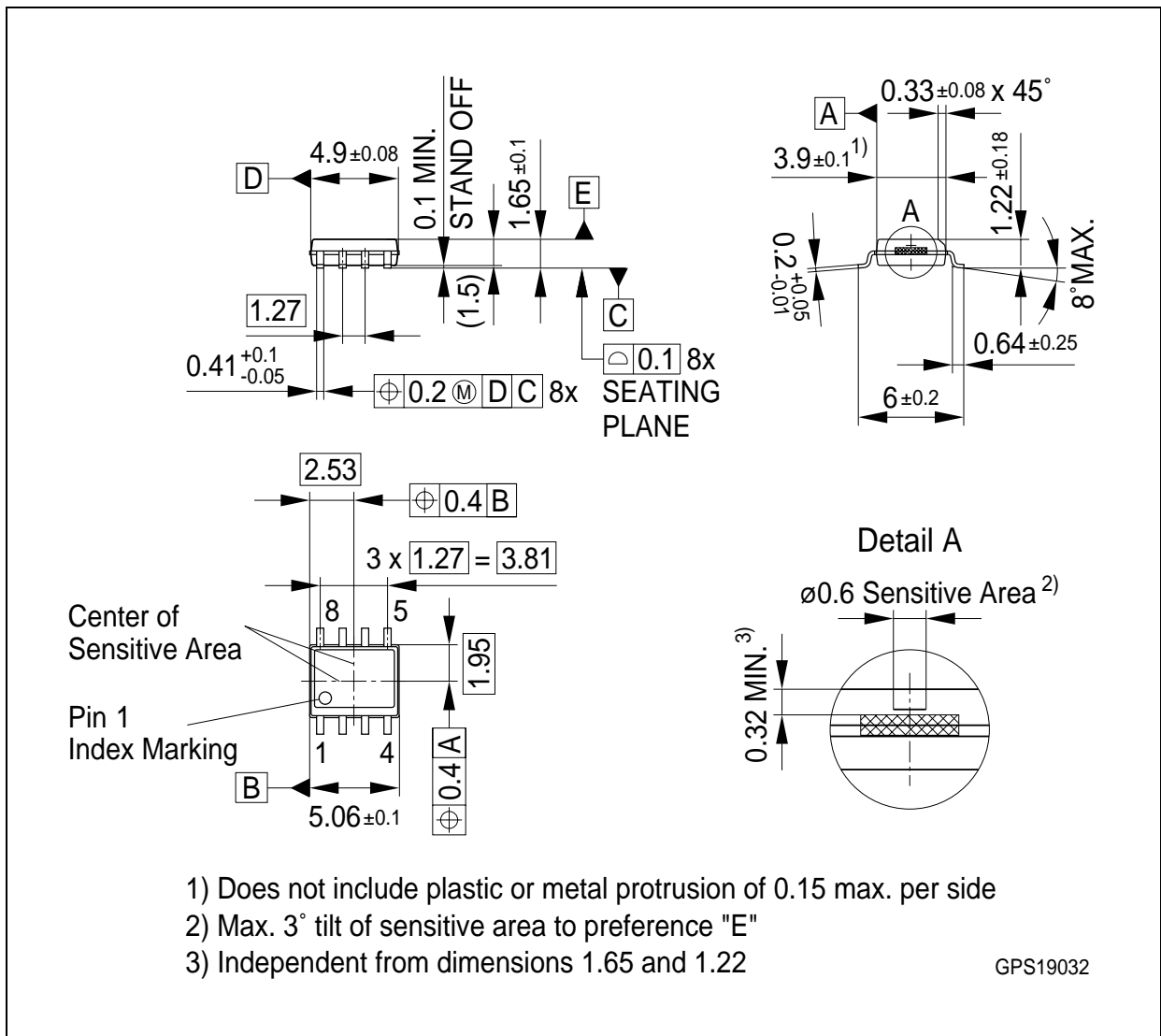


Figure 21 Package Outline PG-DSO-8

Draft

Package Information

Footprint PG-DSO-8

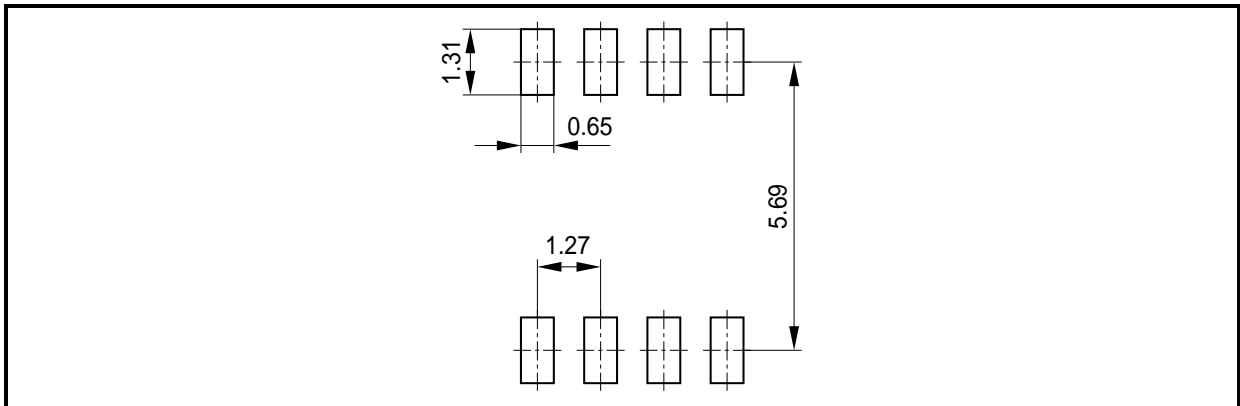


Figure 22 Footprint PG-DSO-8

Packing

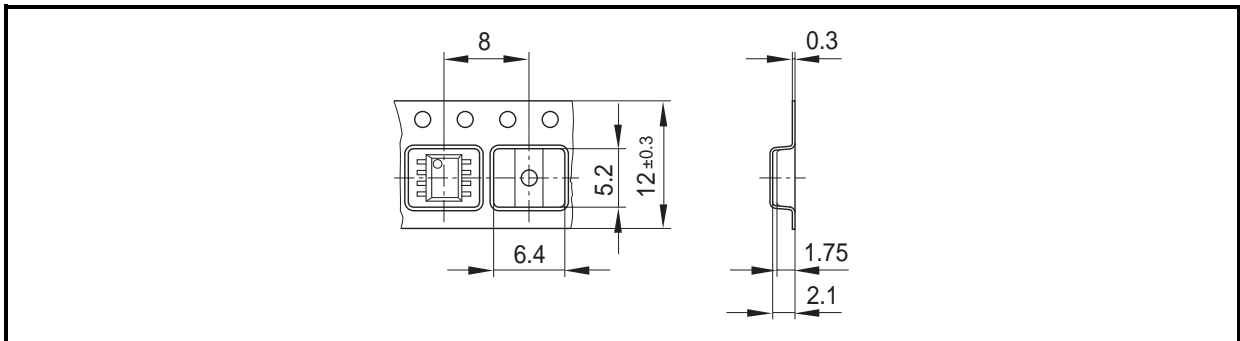


Figure 23 Tape and Reel

Marking

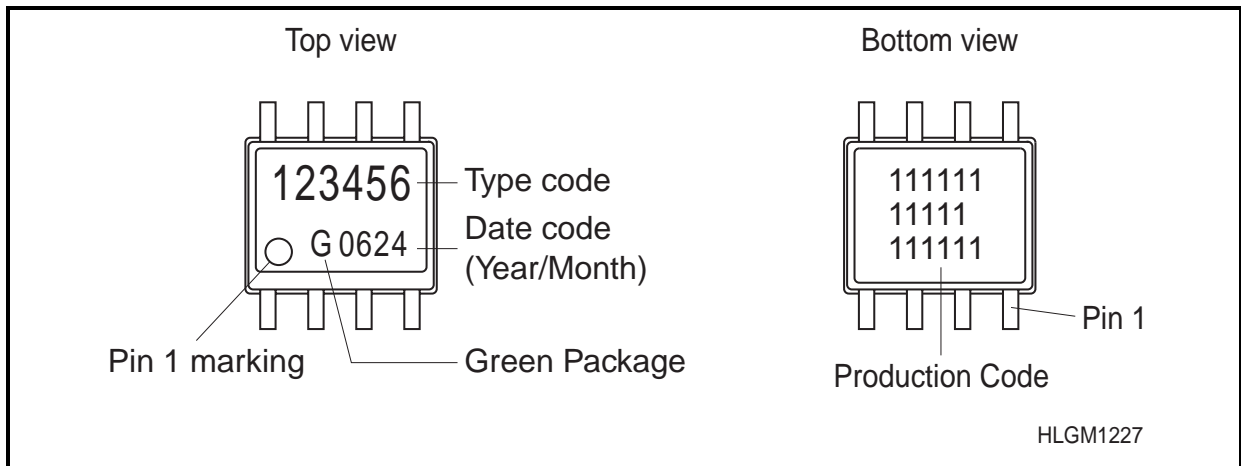


Figure 24 Marking

Processing

For processing recommendations please refer Infineon’s “Notes on Processing”



TLE5010

Draft

Package Information

www.infineon.com

Published by Infineon Technologies AG