



WJA1021

+5V Active-Bias InGaP HBT Gain Block



Product Features

- 50 – 4000 MHz
- 17.5 dB Gain @ 1.9GHz
- +19 dBm P1dB @ 1.9GHz
- +37.5 dBm OIP3 @ 1.9GHz
- +5V Single Supply
- Low current draw (90mA)
- Unconditionally stable
- Internally matched to 50 Ω
- Robust 1000V ESD, Class 1C
- Lead-free/green/RoHS-compliant SOT-89 package

Applications

- GSM, PCS, CDMA, WCDMA
- WiMAX, WiBro
- Repeaters, BTS Transceivers
- RFID

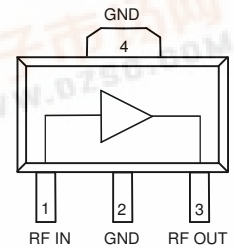
Product Description

The WJA1021 is a cascadable gain block that offers high linearity in a low-cost surface-mount package. At 1.9 GHz, the WJA1021 typically provides 17.5 dB gain, +37.5 dBm OIP3, and +19 dBm P1dB. The device is housed in a lead-free/green/RoHS-compliant industry-standard SOT-89 SMT package using a NiPdAu plating to eliminate the possibility of tin whiskering.

The WJA1021 consists of Darlington pair amplifier using a high reliability InGaP/GaAs HBT process technology. The amplifier has been optimized internally to offer very high linearity performance at 1.9 GHz while drawing very low current. The MMIC amplifier is internally matched to 50Ω and only requires DC-blocking capacitors and a bias inductor for operation. An internal active bias is designed to enable stable performance over temperature and allow for operation directly from a +5V supply voltage.

The broadband amplifier can be directly applied to various current and next generation wireless technologies such as GSM, CDMA, W-CDMA, WiBro, and WiMAX. The WJA1021 is ideal for general purpose applications such as LO buffering or amplification and pre-driver stages within the 50 to 4000 MHz frequency range.

Functional Diagram



Function	Pin No.
Input	1
Output/Bias	3
Ground	2, 4

Specifications ⁽¹⁾

Parameter	Units	Min	Typ	Max
Operational Bandwidth	MHz	50		4000
Test Frequency	MHz		1900	
Gain	dB		17.5	
Input Return Loss	dB		-15	
Output Return Loss	dB		-10	
Output P1dB	dBm		+19	
Output IP3 ⁽²⁾	dBm		+37.4	
Noise Figure	dB		6.3	
Device Voltage	V		5	
Device Current	mA		90.5	

1. Test conditions: 25 °C, Supply Voltage = +5 V, 50 Ω System. S-parameters and 3OIP measured at device pins. All other specifications measured on evaluation board.
 2. 3OIP measured with two tones at an output power of 3 dBm/tone separated by 1 MHz. The suppression on the largest IM3 product is used to calculate the 3OIP using a 2:1 rule.

Typical Performance ⁽³⁾

Parameter	Units	Typical			
Frequency	MHz	200	900	1900	2100
S21	dB	19.5	18.4	16.7	16.4
S11	dB	-12	-19	-29	-25
S22	dB	-20	-13	-10	-10
Output P1dB	dBm	+20.2	+20.1	+19	+18
Output IP3 ⁽²⁾	dBm	+37.8	+39.8	+37.5	+36.9
Noise Figure	dB	5.3	5.6	6.3	6.6

3. Listed typical performance parameters measured on evaluation board.

Absolute Maximum Rating

Parameter	Rating
Storage Temperature	-55 to +150 °C
Supply Voltage	+6.5 V
Thermal Resistance, Rth	78.8 °C/W
Junction Temperature	150 °C
Input Power	+24 dBm

Operation of this device above any of these parameters may cause permanent damage.

Ordering Information

Part No.	Description
WJA1021	+5V Active Bias InGaP HBT Gain Block (lead-free/green/RoHS-compliant SOT-89 Package)
WJA1021-PCB	50 – 4000 MHz Fully Assembled Eval. Board

Standard tape / reel size = 1000 pieces on a 7" reel

Specifications and information are subject to change without notice





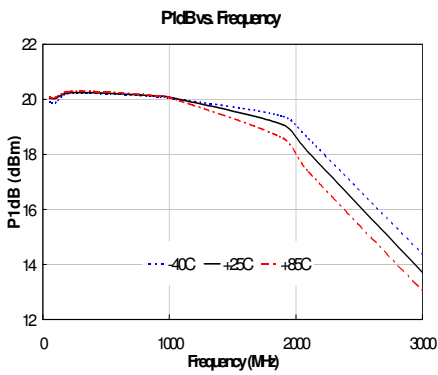
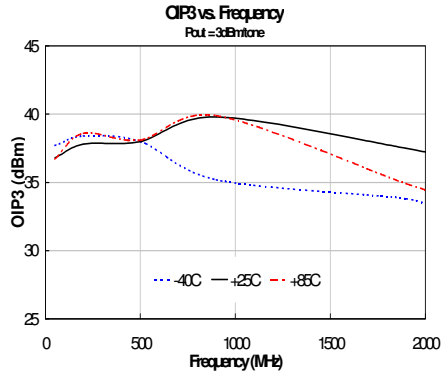
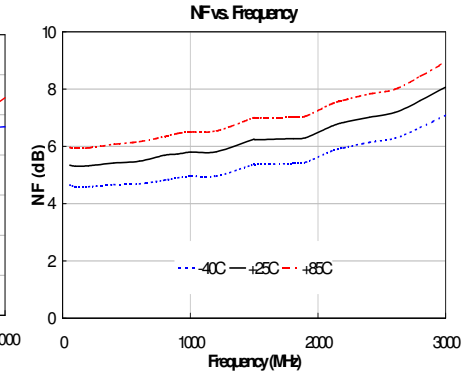
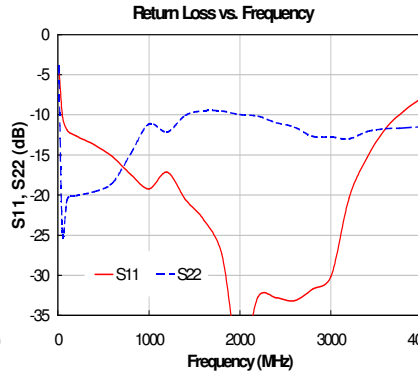
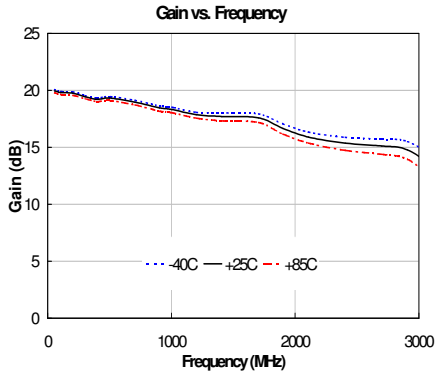
WJA1021

+5V Active-Bias InGaP HBT Gain Block



Typical Evaluation Board RF Performance

Supply Bias = +5V, $I_{CC} = 90$ mA



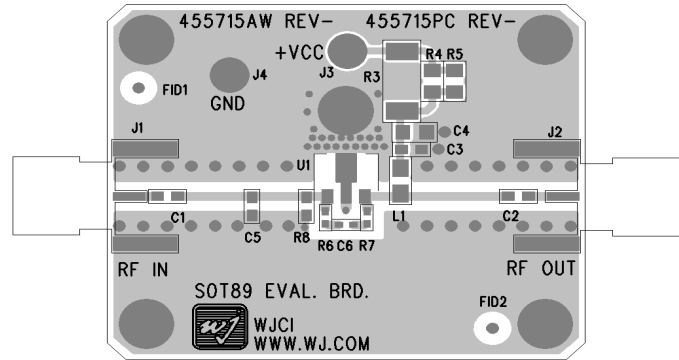
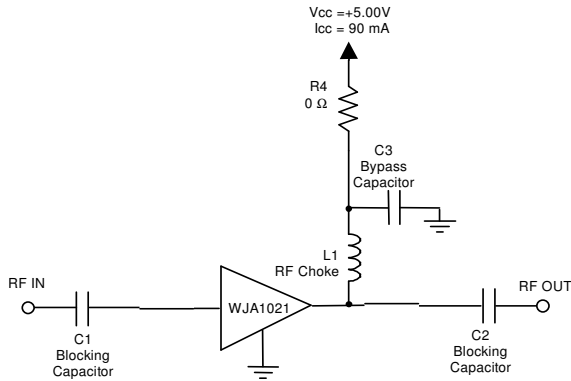


WJA1021

+5V Active-Bias InGaP HBT Gain Block



Application Circuit



For optimal OIP3 performance, the ground plane to the left and right side around the backside paddle of the WJA1021 should be removed as shown in the above PCB layout.

Recommended Component Values ⁽¹⁾

Ref. Name	Value / Type	Size
L1	470 nH ferrite core wire wound inductor ⁽²⁾	0805
C1, C2	1000 pF NPO chip capacitor	0603
C3	0.018 μF chip capacitor	0603
R4	0 Ω ⁽³⁾	0603
C4, C5, C6, R3, R5, R6, R7, R8	Do Not Place ⁽³⁾	

1. The listed values are contained on the evaluation board to achieve optimal broadband performance
2. For lower cost and performance (500 – 2000 MHz) option use 39 nH ceramic core wire wound inductor.
3. Place holders for the 0Ω resistors and “Do Not Place” references are not needed for final design.

Typical Device Data

S-Parameters ($V_{\text{device}} = +5 \text{ V}$, $I_{\text{CC}} = 90 \text{ mA}$, $T = 25 \text{ }^\circ\text{C}$, calibrated to device leads)

Freq (GHz)	S11 (dB)	S11(ang)	S21 (dB)	S21 (ang)	S12(dB)	S12 (ang)	S22 (dB)	S22 (ang)
10	-15.27	-76.97	22.78	168.92	-25.80	14.54	-10.81	-41.48
50	-13.47	-152.73	20.29	167.37	-23.38	5.70	-17.02	-114.67
100	-13.32	-167.56	19.92	167.89	-23.14	2.35	-18.91	-138.72
200	-13.32	-176.11	19.69	162.64	-23.15	-0.19	-19.27	-150.77
400	-12.94	178.15	19.56	149.53	-23.10	-3.54	-19.05	-153.38
600	-12.38	175.26	19.41	135.79	-23.07	-6.98	-18.22	-155.49
800	-12.32	168.40	19.13	122.10	-23.01	-10.41	-16.64	-155.88
1000	-12.56	158.65	18.92	108.57	-22.96	-12.83	-14.40	-155.90
1200	-12.94	146.78	18.58	94.17	-23.04	-16.41	-12.71	-156.76
1400	-12.96	137.52	18.24	81.46	-22.89	-20.13	-11.63	-159.26
1590	-13.24	130.56	17.96	68.23	-22.87	-23.01	-11.35	-165.00
1600	-13.26	130.42	17.95	67.69	-22.87	-22.74	-11.36	-165.60
1800	-14.12	124.89	17.61	54.09	-22.79	-25.91	-11.04	-173.55
2000	-16.59	115.57	17.26	40.63	-22.96	-29.81	-10.18	178.28
2200	-21.32	95.97	16.79	27.03	-22.94	-33.39	-8.81	171.50
2400	-29.00	44.53	16.18	13.53	-23.04	-36.47	-7.80	167.47
2600	-31.47	-55.07	15.66	0.14	-23.06	-39.44	-7.42	162.95
2800	-22.56	-119.27	15.05	-13.34	-23.06	-42.87	-7.44	157.56
3000	-16.22	-137.02	14.35	-27.33	-23.15	-46.10	-7.52	149.16
3200	-12.35	-143.92	13.50	-40.56	-23.27	-49.30	-7.26	140.55
3400	-10.00	-148.38	12.51	-53.24	-23.47	-51.83	-6.61	132.18
3600	-8.71	-155.84	11.58	-65.24	-23.53	-54.62	-5.87	127.43
3800	-7.94	-168.09	10.79	-76.83	-23.40	-57.36	-5.50	124.79
4000	-7.03	175.94	9.72	-89.13	-23.29	-61.41	-5.62	120.23

Device S-parameters are available for download from the website at: <http://www.wj.com>



WJA1021

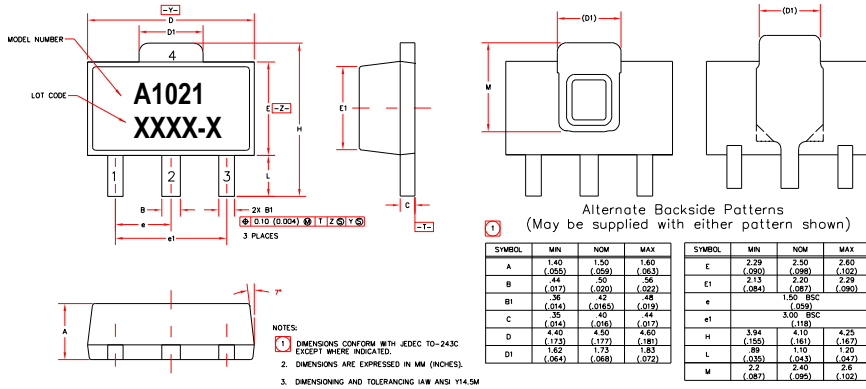
+5V Active-Bias InGaP HBT Gain Block



Mechanical Information

This package is Lead-free/Green/RoHS-compliant. It is compatible with both lead-free (maximum 260 °C reflow temperature) and leaded (maximum 245 °C reflow temperature) soldering processes. The plating material on the leads is NiPdAu.

Outline Drawing



Product Marking

The WJA1021 will be marked with an "A1021" designator with an alphanumeric lot code marked below the part designator.

Tape and reel specifications for this part are located on the website in the "Application Notes" section.

MSL / ESD Rating



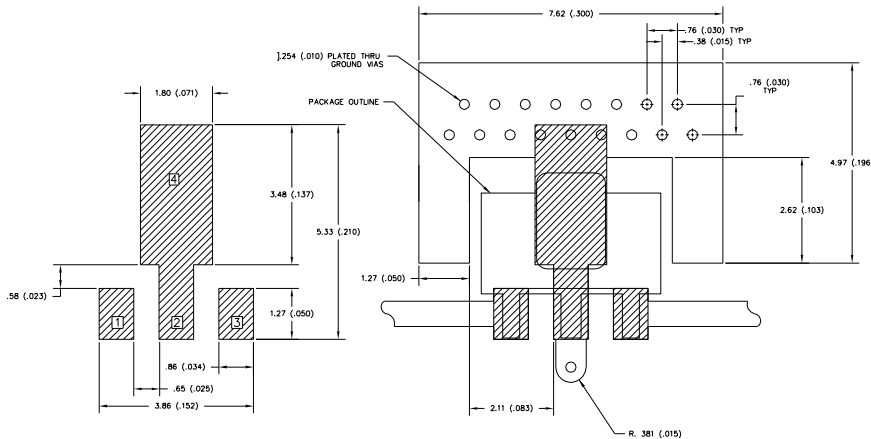
Caution! ESD sensitive device.

ESD Rating: Class 1C
 Value: Passes ≥ 1000V min.
 Test: Human Body Model (HBM)
 Standard: JEDEC Standard JESD22-A114

ESD Rating: Class IV
 Value: Passes ≥ 1000V min.
 Test: Charged Device Model (CDM)
 Standard: JEDEC Standard JESD22-C101

MSL Rating: Level 3 at +260 °C convection reflow
 Standard: JEDEC Standard J-STD-020

Land Pattern



Mounting Config. Notes

- Ground / thermal vias are critical for the proper performance of this device. Vias should use a .35mm (#80 / .0135") diameter drill and have a final plated thru diameter of .25 mm (.010").
- Add as much copper as possible to inner and outer layers near the part to ensure optimal thermal performance.
- Mounting screws can be added near the part to fasten the board to a heatsink. Ensure that the ground / thermal via region contacts the heatsink.
- Do not put solder mask on the backside of the PC board in the region where the board contacts the heatsink.
- RF trace width depends upon the PC board material and construction.
- Use 1 oz. Copper minimum.
- All dimensions are in millimeters (inches). Angles are in degrees.