

# XC6601 Series

ETR0335\_002

## Low Voltage Input LDO Voltage Regulators

Preliminary

### GENERAL DESCRIPTION

The XC6601 series is a CMOS LDO voltage regulator with precise ( $\pm 20\text{mV}$ ) outputs which enables the operation in ultra low On resistance even where low output voltages to achieve high efficiency of the output current. The series is suited for the application which requires low dropout voltage operation. The series consists of a voltage reference, an error amplifier, a driver transistor, a current limiter, a fold back circuit, a thermal shutdown (TSD) circuit, a Under Voltage Lock Out (U.V.L.O.) and a phase compensation circuit.

The output voltage is selectable in 50mV increments within the range of 0.7V to 1.8V using laser trimming technologies. The output stabilization capacitor ( $C_L$ ) is also compatible with low ESR ceramic capacitors.

The over current protection circuit (the current limiter and the fold back circuit) and the thermal shutdown circuit (the TSD circuit) are built-in. These two protection circuits will operate when the output current reaches limit level or the junction temperature reaches temperature limit level.

With the built-in U.V.L.O. function, the regulator output is forced OFF when the VBIAS pin or the VIN pin becomes the U.V.L.O. voltage or lower.

The CE function enables the output to be turned off and the series becomes a stand-by mode resulting in greatly reduced power consumption. At the time of entering the stand-by mode, the series enables the electric charge at the output capacitor ( $C_L$ ) to be discharged via the internal auto-discharge switch placed between the VOUT pin and the VSS pin, as a result the VOUT pin quickly returns to the VSS level.

### APPLICATIONS

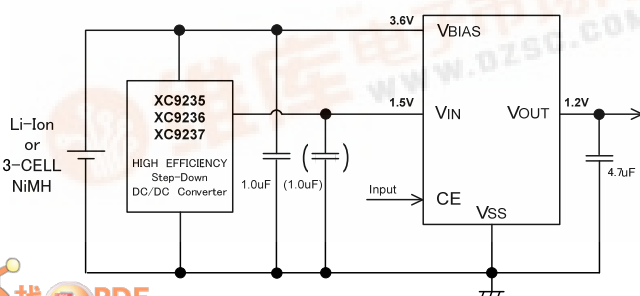
- Mobile phones
- Cordless phones
- Wireless communication equipment
- Portable games
- Cameras
- Audio visual equipment
- Portable AV equipment
- PDA's

### FEATURES

- Maximum Output Current : 400mA (Limiter 500mA TYP.)
- Dropout Voltage : 35mV@IOUT=100mA (TYP.)  
(at VBIAS - VOUT(E)=2.4V)
- Bias Voltage Range : 2.5V ~ 6.0V  
(VBIAS - VOUT(E) 0.9V)
- Input Voltage Range : 1.0V ~ 3.0V  
(VIN - VBIAS)
- Output Voltage Range : 0.7V ~ 1.8V (50mV increments)
- Output Voltage Accuracy :  $\pm 20\text{mV}$
- Power Consumption : IBIAS=25  $\mu\text{A}$  , IIN=1.0  $\mu\text{A}$  (TYP.)  
: IBIAS=0.01  $\mu\text{A}$  , IIN=0.01  $\mu\text{A}$  (TYP.)
- U.V.L.O. : VBIAS=2.0V, VIN=0.4V (TYP.)
- TSD (Detect/Release) : 150 /125 (TYP.)
- Operating Temperature Range : -40 ~ 85
- CL High Speed Auto-Discharge
- Low ESR Capacitor : Ceramic Capacitor Compatible
- Packages : USP-6C, SOT-25, SOT-89-5

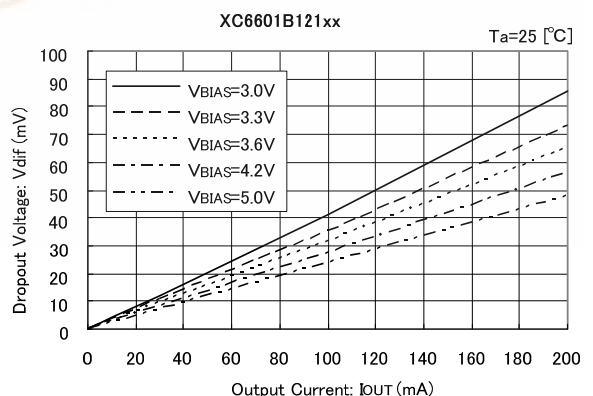
### TYPICAL APPLICATION CIRCUIT

VBIAS = 3.6V , VIN = 1.5V , VOUT = 1.2V



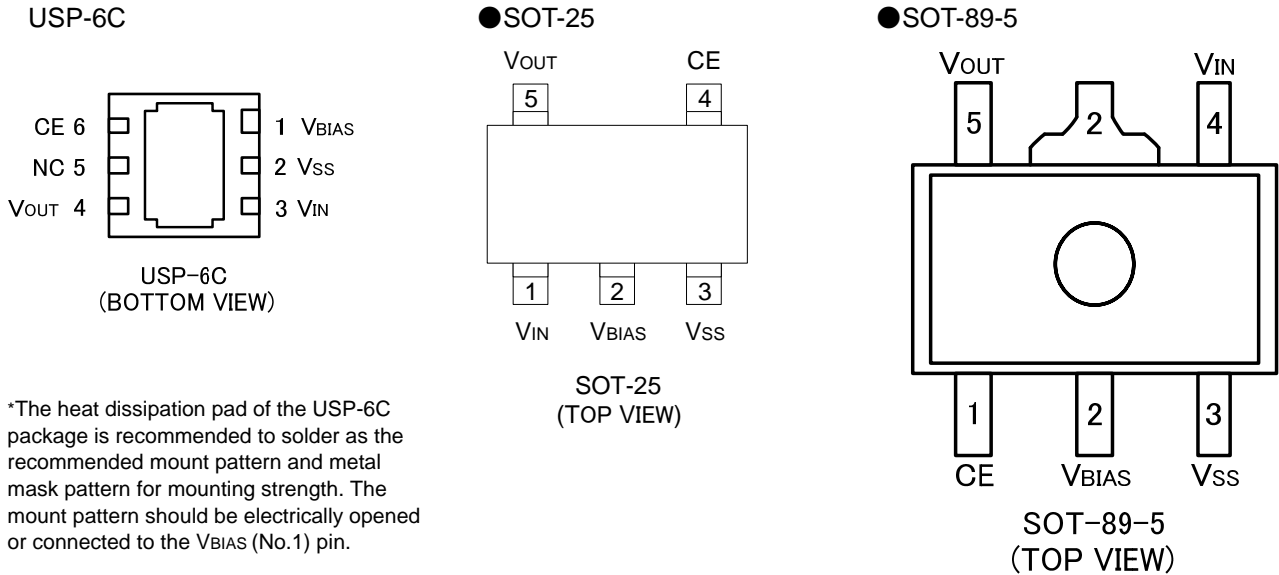
### TYPICAL PERFORMANCE CHARACTERISTICS

Dropout Voltage vs. Output Current



# XC6601 Series

## PIN CONFIGURATION



## PIN ASSIGNMENT

PIN NUMBER			PIN NAME	FUNCTION
USP-6C	SOT-25	SOT-89-5		
1	2	2	VBIAS	Power Supply Input
3	1	4	VIN	Driver Transistor Input
4	5	5	VOUT	Output
2	3	3	Vss	Ground
6	4	1	CE	ON/OFF Control

## PRODUCT CLASSIFICATION

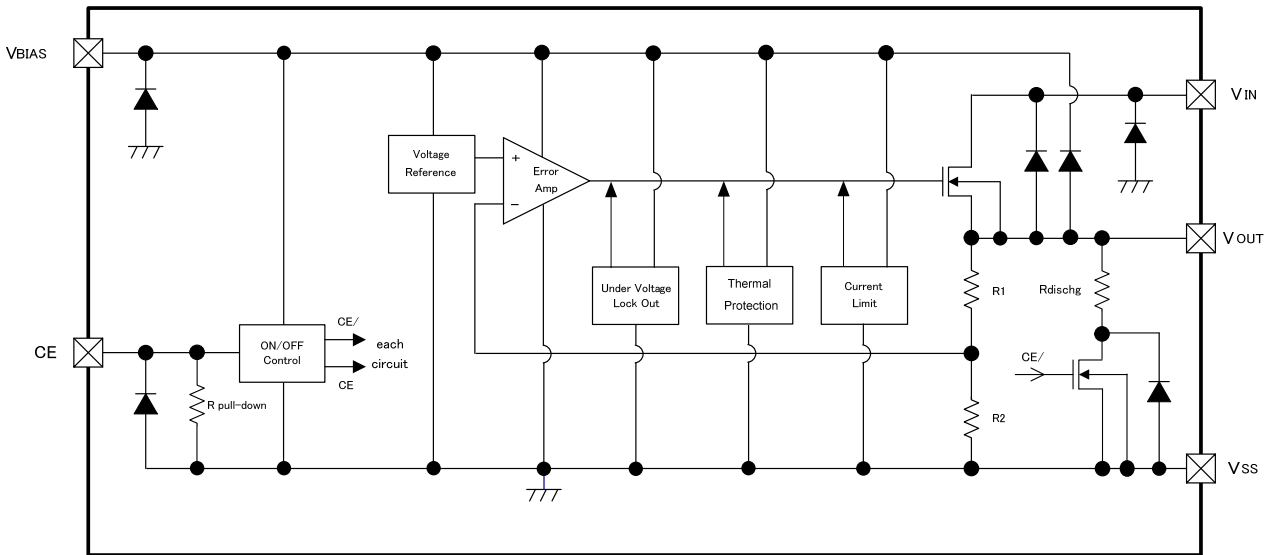
### Ordering Information

XC6601①②③④⑤⑥

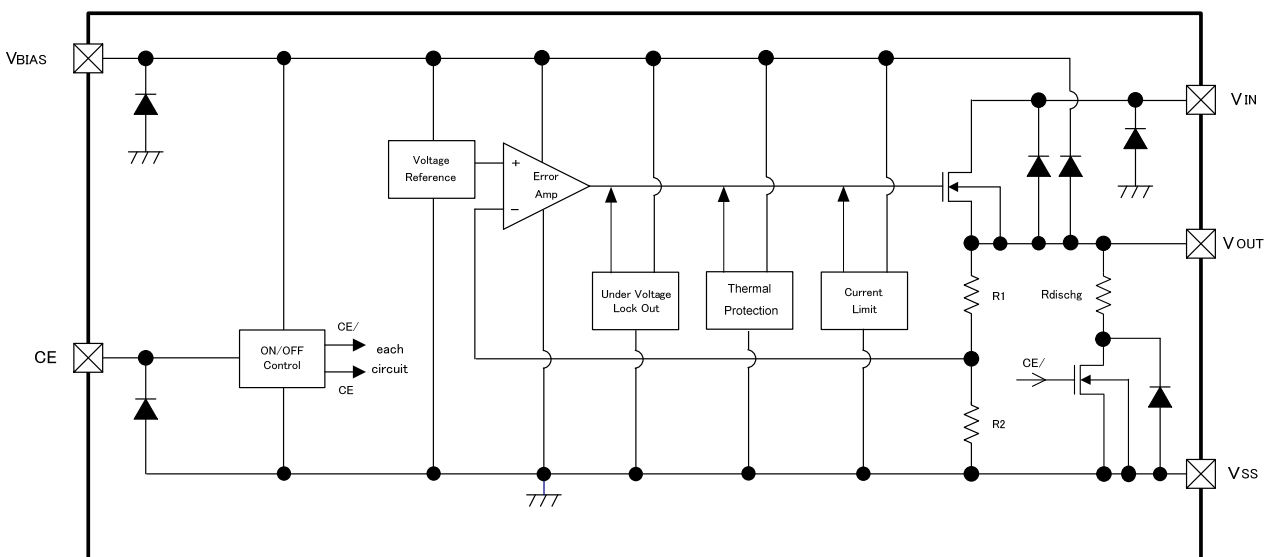
MARK	DESCRIPTION	SYMBOL	DESCRIPTION
①	Type of Regulators	A	: CE High Active, Pull-Down Resistor Built-in, CL Auto Discharge Function
		B	: CE High Active, No Pull-Down Resistor Built-in, CL Auto Discharge Function
②③	Output Voltage	07 ~ 18	: e.g.) $V_{OUT(T)}=1.2V \Rightarrow \textcircled{2}=1, \textcircled{3}=2$
④	Output Voltage Accuracy	1	: 100mV increments, $\pm 20\text{mV}$ accuracy e.g.) $1.2V \Rightarrow \textcircled{2}=1, \textcircled{3}=2, \textcircled{4}=1$
		B	: 50mV increments, $\pm 20\text{mV}$ accuracy e.g.) $1.25V \Rightarrow \textcircled{2}=1, \textcircled{3}=2, \textcircled{4}=B$
⑤	Packages	M	: SOT-25
		E	: USP-6C
		P	: SOT-89-5
⑥	Device Orientation	R	: Embossed Tape (Standard Feed)
		L	: Embossed Tape (Reverse Feed)

## BLOCK DIAGRAMS

(1) XC6601A Series



(2) XC6601B Series



\*Diodes inside the circuit are an ESD protection diode and a parasitic diode.

# XC6601 Series

## MAXIMUM ABSOLUTE RATINGS

Ta=25

PARAMETER	SYMBOL	RATINGS	UNITS
Bias Voltage	VBIAS	VSS-0.3 ~ +7.0	V
Input Voltage	VIN	VSS-0.3 ~ +7.0	V
Output Current	IOUT	700 <sup>(*)</sup>	mA
Output Voltage	VOUT	VSS-0.3 ~ VBIAS+0.3	V
		VSS-0.3 ~ VIN+0.3	
CE Input Voltage	VCE	VSS-0.3 ~ +7.0	V
Power Dissipation	USP-6C	120	mW
	SOT-25	250	
	SOT-89-5	500	
Operating Temperature Range	Topr	-40 ~ +85	°C
Storage Temperature Range	Tstg	-55 ~ +125	°C

(\*) IOUT=Less than Pd / (VIN-VOUT)

## ELECTRICAL CHARACTERISTICS

Ta=25

PARAMETER	SYMBOL	CONDITIONS	MIN.	TYP.	MAX.	UNITS	CIRCUIT
Bias Voltage <sup>(*)</sup>	VBIAS	VCE = VBIAS, VIN = VOUT(T)+0.3V	2.5	-	6.0	V	
Input Voltage <sup>(*)</sup>	VIN	VBIAS=VCE=3.6V	1.0	-	3.0	V	
Output Voltage	VOUT(E) <sup>(*)</sup>	VBIAS=VCE=3.6V, VIN = VOUT(T)+0.3V, IOUT=1mA	-0.02	VOUT(T) <sup>(*)</sup>	+0.02	V	
			E-0 <sup>(*)</sup>				
Maximum Output Current	IOUTMAX	VBIAS=VCE=3.6V, VIN = VOUT(T)+0.3V	400	-	-	mA	
Load Regulation	VOUT	VBIAS=VCE=3.6V, VIN=VOUT(T)+0.3V, 1mA IOUT 100mA	-	10	-	mV	
Dropout Voltage	Vdif <sup>(*)</sup>	VBIAS=VCE, IOUT=100mA	E-1 <sup>(*)</sup>			mV	
Supply Current 1	IBIAS	VBIAS=VCE=3.6V, VIN=VOUT(T)+0.3V VOUT=OPEN	-	25	-	μA	
Supply Current 2	IIN	VBIAS=VCE=3.6V, VIN=VOUT(T)+0.3V VOUT=OPEN	-	1.0	-	μA	
Bias Current <sup>(*)</sup>	IBIASMAX	VOUT(T) 0.95V, VBIAS=CE=3.6V, VIN=VOUT(T)+0.05V, VOUT=VOUT(T) - 0.05V	-	2.0	-	mA	
		VOUT(T) < 0.95V, VBIAS=CE=3.6V, VIN=1.0V VOUT= VOUT(T) - 0.05V					
Stand-by Current 1	IBIAS_STB	VBIAS=6.0V, VIN=3.0V, VCE=VSS	-	0.01	-	μA	
Stand-by Current 2	IIN_STB	VBIAS=6.0V, VIN=3.0V, VCE=VSS	-	0.01	-	μA	
Bias Regulation	VOUT/ VBIAS · VOUT	2.5V VBIAS 6.0V, VIN=VOUT(T)+0.3V, VBIAS=VCE, IOUT=1mA	-	0.01	-	%/V	
Input Regulation	VOUT/ VIN · VOUT	VOUT(T) 0.90V, VOUT(T)+0.1V VIN 3.0V, VBIAS=VCE=3.6V, IOUT=1mA	-	0.01	-	%	/V
		VOUT(T) < 0.90V, 1.0V VIN 3.0V VBIAS=VCE=3.6V, IOUT=1mA					
Bias Voltage U.V.L.O.	VBIAS_UVLO	VCE = VBIAS, VIN = VOUT(T)+0.3V, IOUT=1mA	-	2.0	-	V	
Input Voltage U.V.L.O.	VIN_UVLO	VBIAS=VCE=3.6V, IOUT=1mA	-	0.4	-	V	
VBIAS Ripple Rejection	VBIAS_PSR	VBIAS=3.6VDC+0.2Vp-pAC, VIN=VOUT(T)+0.3V, IOUT=30mA, f=1kHz	-	40	-	dB	
VIN Ripple Rejection	VIN_PSR	VIN=VOUT(T)+0.3VDC+0.2Vp-pAC, VBIAS=3.6V, IOUT=30mA, f=1kHz	-	60	-	dB	

## ELECTRICAL CHARACTERISTICS (Continued)

Ta=25

PARAMETER	SYMBOL	CONDITIONS	MIN.	TYP.	MAX.	UNITS	CIRCUIT
Output Voltage Temperature Characteristics	$V_{OUT}/T_{opr} \cdot V_{OUT}$	$V_{BIAS}=V_{CE}=3.6V$ , $V_{IN}=V_{OUT(T)}+0.3V$ , $I_{OUT}=30mA$ , - 40 $T_{opr}$ 85	-	$\pm 100$	-	ppm/	
Limit Current	$I_{LIM}$	$V_{OUT}=V_{OUT(E)} \times 0.95$ , $V_{BIAS}=V_{CE}=3.6V$ , $V_{IN}=V_{OUT(T)}+0.3V$	400	-	-	mA	
Short Current	$I_{SHORT}$	$V_{BIAS}=V_{CE}=3.6V$ , $V_{IN}=V_{OUT(T)}+0.3V$ , $V_{OUT}=0V$	-	50	-	mA	
Thermal Shutdown Detect Temperature	$T_{TSD}$	Junction Temperature	-	150	-		
Thermal Shutdown Release Temperature	$T_{TSR}$	Junction Temperature	-	125	-		
Hysteresis Width	$T_{TSD} - T_{TSR}$		-	25	-		
CL Auto-Discharge Resistance <sup>(7)</sup>	$R_{dischg}$	$V_{BIAS}=3.6V$ , $V_{IN}=V_{OUT(T)}+0.3V$ , $V_{CE}=V_{SS}$ , $V_{OUT}=V_{OUT(T)}$	-	450	-		①
CE "H" Level Voltage	$V_{CEH}$	$V_{BIAS}=3.6V$ , $V_{IN}=V_{OUT(T)}+0.3V$	1.0	-	6.0	V	
CE "L" Level Voltage	$V_{CEL}$	$V_{BIAS}=3.6V$ , $V_{IN}=V_{OUT(T)}+0.3V$		-	0.25	V	
CE "H" Level Current (A Series)	$I_{CEH}$	$V_{BIAS}=V_{CE}=6.0V$ , $V_{IN}=V_{OUT(T)}+0.3V$	3.5	-	7.0	$\mu A$	
CE "H" Level Current (B Series)			-0.1	-	0.1		
CE "L" Level Current	$I_{CEL}$	$V_{BIAS}=6.0V$ , $V_{CE}=V_{SS}$ $V_{IN}=V_{OUT(T)}+0.3V$	-0.1	-	0.1	$\mu A$	

**NOTE:**

- \* 1: Please use Bias voltage  $V_{BIAS}$  within the range  $V_{BIAS}-V_{OUT(E)} \ 0.9V$
- \* 2: Please use Input voltage  $V_{IN}$  within the range  $V_{IN} \ V_{BIAS}$
- \* 3:  $V_{OUT(E)}$  = Effective output voltage (Refer to the voltage chart E-0 and E-1)
- \* 4:  $V_{OUT(T)}$  = Specified output voltage
- \* 5: E-0 = Please refer to the table named OUTPUT VOLTAGE CHART
- \* 6: E-1 = Please refer to the table named DROPOUT VOLTAGE CHART
- \* 7:  $V_{dif} = \{V_{IN1}^{(*)8}-V_{OUT1}^{(*)9}\}$ .
- \* 8:  $V_{IN1}$  = The input voltage when  $V_{OUT1}$  appears as input voltage is gradually decreased.
- \* 9:  $V_{OUT1}$  = A voltage equal to 98% of the output voltage while maintaining an amply stabilized output voltage when  $V_{IN}=V_{OUT(T)} + 0.3V$  is input at the  $V_{IN}$  pin.
- \* 10:  $I_{BIASMAX}$  = A supply current at the  $V_{BIAS}$  pin providing for the output current ( $I_{OUT}$ ) .

## OUTPUT VOLTAGE CHART

SETTING OUTPUT VOLTAGE (V)	E-0	
	OUTPUT VOLTAGE (V)	
	$V_{OUT}$	
$V_{OUT(T)}$	MIN.	MAX.
0.70	0.680	0.720
0.75	0.730	0.770
0.80	0.780	0.820
0.85	0.830	0.870
0.90	0.880	0.920
0.95	0.930	0.970
1.00	0.980	1.020
1.05	1.030	1.070
1.10	1.080	1.120
1.15	1.130	1.170
1.20	1.180	1.220
1.25	1.230	1.270

SETTING OUTPUT VOLTAGE (V)	E-0	
	OUTPUT VOLTAGE (V)	
	$V_{OUT}$	
$V_{OUT(T)}$	MIN.	MAX.
1.30	1.280	1.320
1.35	1.330	1.370
1.40	1.380	1.420
1.45	1.430	1.470
1.50	1.480	1.520
1.55	1.530	1.570
1.60	1.580	1.620
1.65	1.630	1.670
1.70	1.680	1.720
1.75	1.730	1.770
1.80	1.780	1.820

# XC6601 Series

## DROPOUT VOLTAGE CHART (Continued)

SETTING OUTPUT VOLTAGE (V)	E-1														
	DROPOUT VOLTAGE (mV)														
	Vdif														
	VBIAS=3.0 (V)			VBIAS=3.3 (V)			VBIAS=3.6 (V)			VBIAS=4.2 (V)			VBIAS=5.0 (V)		
	V <sub>OUT(T)</sub>	V <sub>gs</sub> (*1)	Vdif		V <sub>gs</sub>	Vdif		V <sub>gs</sub>	Vdif		V <sub>gs</sub>	Vdif		V <sub>gs</sub>	Vdif
TYP.			MAX.	TYP.		MAX.	TYP.		MAX.	TYP.		MAX.	TYP.		MAX.
0.70	2.30	36	-	2.60	33	-	2.90	31	-	3.50	28	-	4.30	26	-
0.75	2.25	37	-	2.55	34	-	2.85	31	-	3.45	28	-	4.25	26	-
0.80	2.20			2.50			2.80			3.40			4.20		
0.85	2.15	38	-	2.45	35	-	2.75	32	-	3.35	29	-	4.15	26	-
0.90	2.10			2.40			2.70			3.30			4.10		
0.95	2.05	40	-	2.35	36	-	2.65	33	-	3.25	29	-	4.05	26	-
1.00	2.00			2.30			2.60			3.20			4.00		
1.05	1.95	42	-	2.25	37	-	2.55	34	-	3.15	30	-	3.95	27	-
1.10	1.90			2.20			2.50			3.10			3.90		
1.15	1.85	44	-	2.15	38	-	2.45	35	-	3.05	30	-	3.85	27	-
1.20	1.80			2.10			2.40			3.00			3.80		
1.25	1.75	47	-	2.05	40	-	2.35	36	-	2.95	31	-	3.75	27	-
1.30	1.70			2.00			2.30			2.90			3.70		
1.35	1.65	50	-	1.95	42	-	2.25	37	-	2.85	31	-	3.65	28	-
1.40	1.60			1.90			2.20			2.80			3.60		
1.45	1.55	54	-	1.85	44	-	2.15	38	-	2.75	32	-	3.55	28	-
1.50	1.50			1.80			2.10			2.70			3.50		
1.55	1.45	58	-	1.75	47	-	2.05	40	-	2.65	33	-	3.45	28	-
1.60	1.40			1.70			2.00			2.60			3.40		
1.65	1.35	63	-	1.65	50	-	1.95	42	-	2.55	34	-	3.35	29	-
1.70	1.30			1.60			1.90			2.50			3.30		
1.75	1.25	75	-	1.55	54	-	1.85	44	-	2.45	35	-	3.25	29	-
1.80	1.20			1.50			1.80			2.40			3.20		

\*1): V<sub>gs</sub> is a Gate –Source voltage of the driver transistor that is defined as the value of V<sub>BIAS</sub> - V<sub>OUT</sub> (T).  
A value of the dropout voltage is determined by the value of the V<sub>gs</sub>.

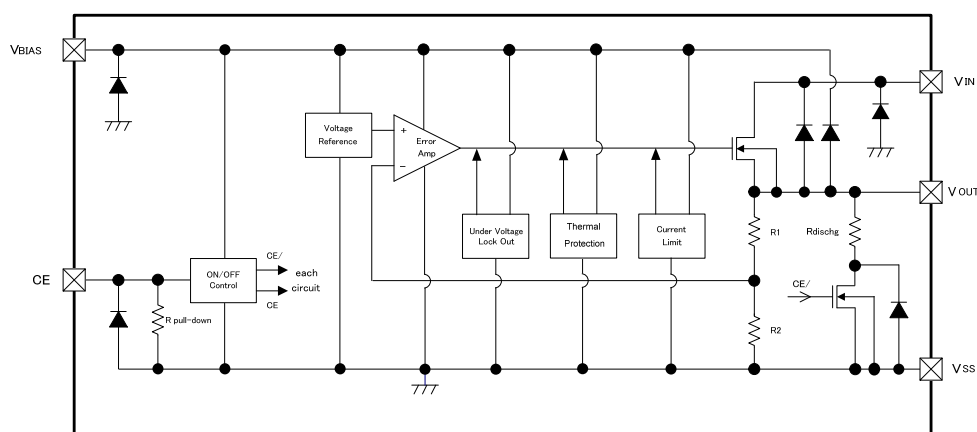
## OPERATIONAL EXPLANATION

### <Voltage Regulator>

The voltage divided by resistors R1 & R2 is compared with the internal reference voltage by the error amplifier. The P-channel MOSFET which is connected to the V<sub>OUT</sub> pin is then driven by the subsequent output signal. The output voltage at the V<sub>OUT</sub> pin is controlled & stabilized by a system of negative feedback.

V<sub>BIAS</sub> pin is power supply pin for output voltage control circuit, protection circuit and CE circuit. When output current increase, the V<sub>BIAS</sub> pin supplies output current also. V<sub>IN</sub> pin is connected to a driver transistor and provides output current.

In order to obtain high efficient output current through low on-resistance, please take enough V<sub>gs</sub> (=V<sub>BIAS</sub> - V<sub>OUT</sub>) of the driver transistor. Output current triggers operation of constant current limiter and foldback circuit, heat generation triggers operation of thermal shutdown circuit, the driver transistor circuit is forced OFF when V<sub>BIAS</sub> or V<sub>IN</sub> voltage goes lower than U.V.L.O. voltage. Further, the IC's internal circuitry can be shutdown via the CE pin's signal.



XC6601A series

### <Low ESR Capacitor>

With the XC6601 series, a stable output voltage is achievable even if used with low ESR capacitors, as a phase compensation circuit is built-in. The output capacitor (C<sub>L</sub>) should be connected as close to V<sub>OUT</sub> pin and V<sub>SS</sub> pin to obtain stable phase compensation. Values required for the phase compensation are as the table below.

For a stable power input, please connect an bias capacitor (C<sub>BIAS</sub>) of 1.0 μF between the V<sub>BIAS</sub> pin and the V<sub>SS</sub> pin. Also, please connect an input capacitor (C<sub>IN</sub>) of 1.0 μF between the V<sub>IN</sub> pin and the V<sub>SS</sub> pin. In order to ensure the stable phase compensation while avoiding run-out of values, please use the capacitor (C<sub>BIAS</sub>, C<sub>IN</sub>, C<sub>L</sub>) which does not depend on bias or temperature too much. The table below shows recommended values of C<sub>BIAS</sub>, C<sub>IN</sub>, C<sub>L</sub>.

SETTING VOLTAGE	BIAS CAPACITOR	INPUT CAPACITOR	OUTPUT CAPACITOR
	C <sub>BIAS</sub>	C <sub>IN</sub>	C <sub>L</sub>
0.7V~1.8V	C <sub>BIAS</sub> =1.0 μF	C <sub>IN</sub> =1.0 μF	C <sub>L</sub> =4.7 μF

Recommended Values of C<sub>BIAS</sub>, C<sub>IN</sub>, C<sub>L</sub>

## OPERATIONAL EXPLANATION (Continued)

### <CL High Speed Auto-Discharge>

XC6601 series can quickly discharge the electric charge at the output capacitor (CL) when a low signal to the EN pin which enables a whole IC circuit put into OFF state, is inputted via the N-channel transistor located between the V<sub>OUT</sub> pin and the V<sub>SS</sub> pin. When the IC is disabled, electric charge at the output capacitor (CL) is quickly discharged so that it could avoid malfunction. At that time, CL discharge resistance is depended on a bias voltage. Discharge time of the output capacitor (CL) is set by the CL auto-discharge resistance (R) and the output capacitor (CL). By setting time constant of a CL auto-discharge resistance value [R] and an output capacitor value (CL) as  $\tau = C \times R$ , the output voltage after discharge via the N channel transistor is calculated by the following formulas.

$$V = V_{OUT} \times e^{-t/\tau}, \text{ or } t = \tau \ln ( V_{OUT(E)} / V )$$

V : Output voltage after discharge, V<sub>OUT(E)</sub> : Output voltage, t: Discharge time,  
τ : CL auto-discharge resistance R × Output capacitor (CL) value C

### <Current Limit, Short-Circuit Protection>

The XC6601 series' foldback circuit operates as an output current limiter and a short protection of the output pin. When the load current reaches the current limit level, the fixed current limiter circuit operates and output voltage drops. When the output pin is shorted to the V<sub>SS</sub> level, current flows about 50mA.

### <Thermal Shutdown Circuit (TSD) >

When the junction temperature of the built-in driver transistor reaches the temperature limit level (150 °C TYP.), the thermal shutdown circuit operates and the driver transistor will be set to OFF. The IC resumes its operation when the thermal shutdown function is released and the IC's operation is automatically restored because the junction temperature drops to the level of the thermal shutdown release temperature (125 °C TYP.).

### <Under Voltage Lock Out (U.V.L.O.) >

When the V<sub>BIAS</sub> pin voltage drops below 2.0V (TYP.) or V<sub>IN</sub> pin voltage drops below 0.4V (TYP.), the output driver transistor is forced OFF by U.V.L.O. function to prevent false output caused by unstable operation of the internal circuitry. When the V<sub>BIAS</sub> pin voltage rise at 2.2V (TYP.) or the V<sub>IN</sub> pin voltage rises at 0.4V (TYP.), the U.V.L.O. function is released. The driver transistor is turned on in the state and start to operate voltage regulation.

### <CE Pin>

The IC internal circuitry can be shutdown via the signal from the CE pin with the XC6601 series. In shutdown mode, output at the V<sub>OUT</sub> pin will be pulled down to the V<sub>SS</sub> level via R1 & R2. However, as for the XC6601 series, the CL auto-discharge resistor is connected in parallel to R1 and R2 while the power supply is applied to the V<sub>IN</sub> pin. Therefore, time until the V<sub>OUT</sub> pin reaches the V<sub>SS</sub> level becomes short.

The CE pin of XC6601A has pull-down circuitry so that CE input current increase during IC operation. The CE pin of XC6601B does not have pull-down circuitry so that logic is not fixed when the CE pin is open. If the CE pin voltage is taken from V<sub>BIAS</sub> pin or V<sub>SS</sub> pin then logic is fixed and the IC will operate normally. However, supply current may increase as a result of through current in the IC's internal circuitry when medium voltage is input.

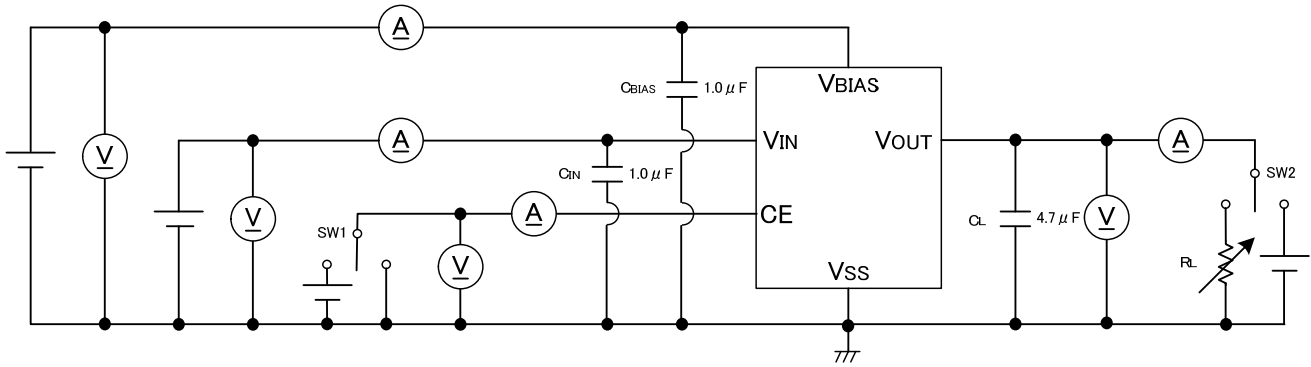
## NOTE ON USE

1. Please use this IC within the stated absolute maximum ratings. The IC is liable to malfunction should the ratings be exceeded.
2. Where wiring impedance is high, operations may become unstable due to noise and/or phase lag depending on output current. Please keep the resistance low between V<sub>BIAS</sub> and V<sub>SS</sub> wiring or V<sub>IN</sub> and V<sub>SS</sub> wiring in particular.
3. Please wire the bias capacitor (C<sub>BIAS</sub>), input capacitor (C<sub>IN</sub>) and the output capacitor (C<sub>L</sub>) as close to the IC as possible.
4. Capacitance values of these capacitors (C<sub>BIAS</sub>, C<sub>IN</sub>, C<sub>L</sub>) are decreased by the influences of bias voltage and ambient temperature. Care shall be taken for capacitor selection to ensure stability of phase compensation from the point of ESR influence.

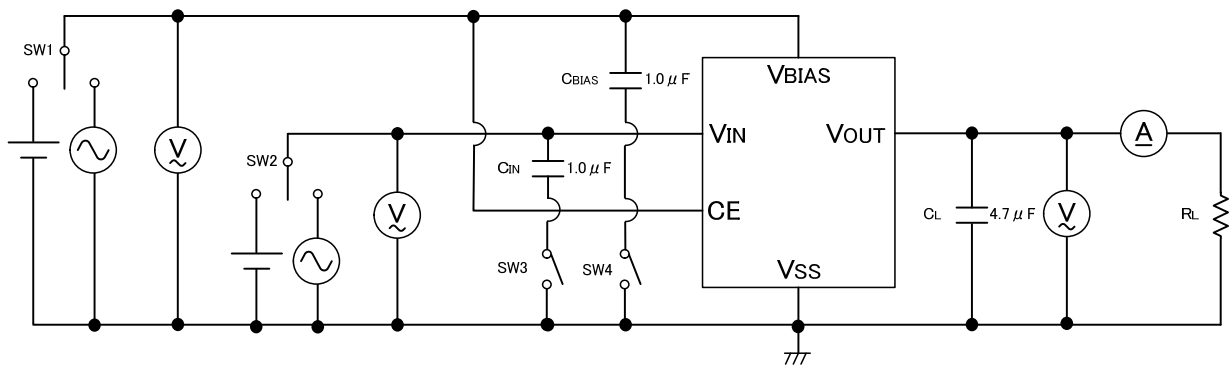


## TEST CIRCUITS

Circuit



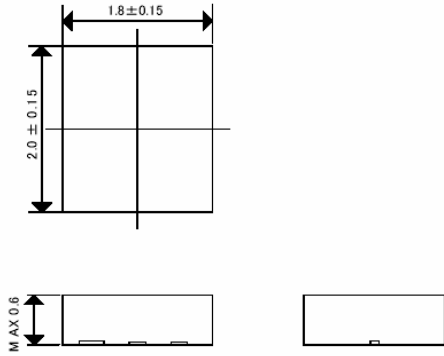
Circuit



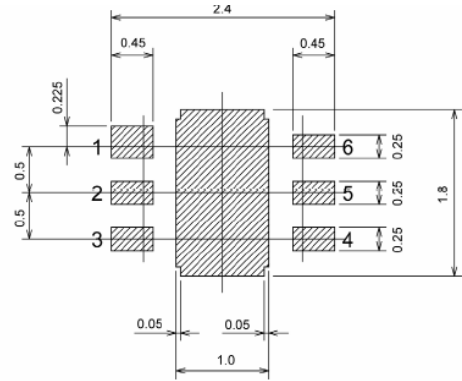
# XC6601 Series

## PACKAGING INFORMATION

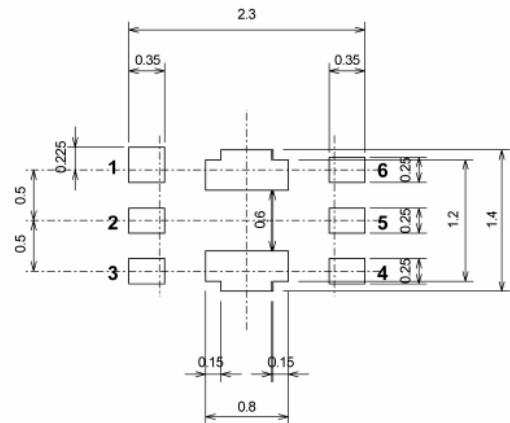
### USP-6C



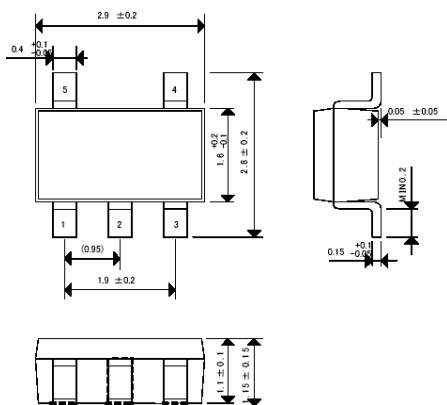
### USP-6C Recommended Pattern Layout



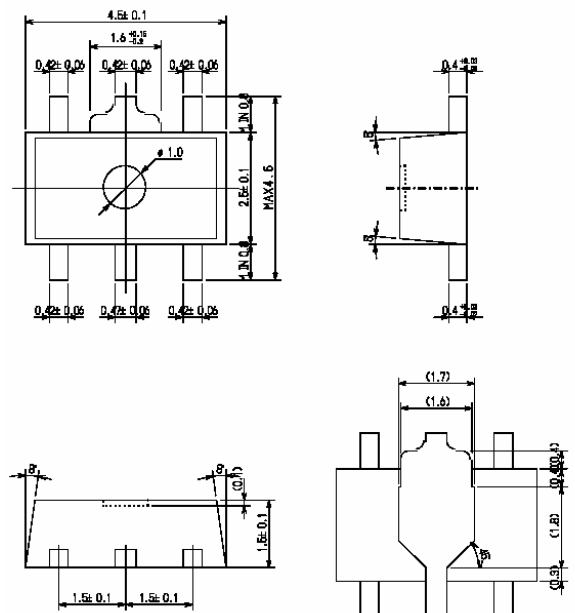
### USP-6C Recommended Metal Mask Design



### SOT-25



### SOT-89-5



1. The products and product specifications contained herein are subject to change without notice to improve performance characteristics. Consult us, or our representatives before use, to confirm that the information in this catalog is up to date.
2. We assume no responsibility for any infringement of patents, patent rights, or other rights arising from the use of any information and circuitry in this catalog.
3. Please ensure suitable shipping controls (including fail-safe designs and aging protection) are in force for equipment employing products listed in this catalog.
4. The products in this catalog are not developed, designed, or approved for use with such equipment whose failure or malfunction can be reasonably expected to directly endanger the life of, or cause significant injury to, the user.  
(e.g. Atomic energy; aerospace; transport; combustion and associated safety equipment thereof.)
5. Please use the products listed in this catalog within the specified ranges.  
Should you wish to use the products under conditions exceeding the specifications, please consult us or our representatives.
6. We assume no responsibility for damage or loss due to abnormal use.
7. All rights reserved. No part of this catalog may be copied or reproduced without the prior permission of Torex Semiconductor Ltd.

**TOREX SEMICONDUCTOR LTD.**