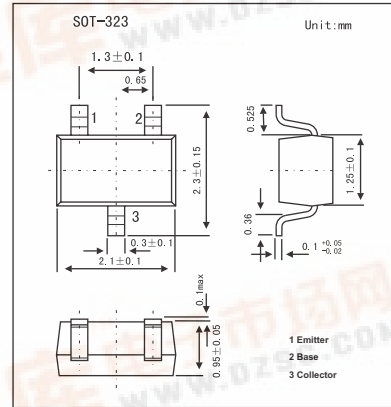


SMD Type Transistors

Silicon NPN Epitaxial Planar
2SC3929

Features

- Low noise voltage NV.
- High forward current transfer ratio hFE.



Absolute Maximum Ratings Ta = 25°C

Parameter	Symbol	Rating	Unit
Collector-base voltage	V _{CB0}	35	V
Collector-emitter voltage	V _{CEO}	35	V
Emitter-base voltage	V _{EBO}	5	V
Collector current	I _c	50	mA
Peak collector current	I _{CP}	100	mA
Collector power dissipation	P _c	150	mW
Junction temperature	T _j	150	°C
Storage temperature	T _{stg}	-55 to +150	°C

Electrical Characteristics Ta = 25°C

Parameter	Symbol	Testconditions	Min	Typ	Max	Unit
Collector-base voltage	V _{CB0}	I _c = 10 μA, I _E = 0	35			V
Collector-emitter voltage	V _{CEO}	I _c = 2 mA, I _B = 0	35			V
Emitter-base voltage	V _{EBO}	I _E = 10 μA, I _c = 0	5			V
Base-emitter voltage	V _{BE}	V _{CE} = 1 V, I _c = 100 mA		0.7	1.0	V
Collector-base cutoff current	I _{CB0}	V _{CB} = 10 V, I _E = 0			0.1	μA
Collector-emitter cutoff current	I _{CEO}	V _{CE} = 10 V, I _B = 0			1	μA
Forward current transfer ratio	h _{FE}	V _{CE} = 5 V, I _c = 2 mA	180		700	
Collector-emitter saturation voltage	V _{CE(sat)}	I _c = 100 mA, I _B = 10 mA			0.6	V
Transition frequency	f _T	V _{CB} = 5 V, I _E = ?2 mA, f = 200 MHz		100		MHz
Noise voltage	NV	V _{CE} = 10 V, I _c = 1 mA, G _v = 80 dB, R _g = 100 kΩ, Function = FLAT			150	mV

hFE Classification

Marking	SR	SS	ST
	180~360	260~520	360~700

