

Inchange Semiconductor

Product Specification

Silicon PNP Power Transistors

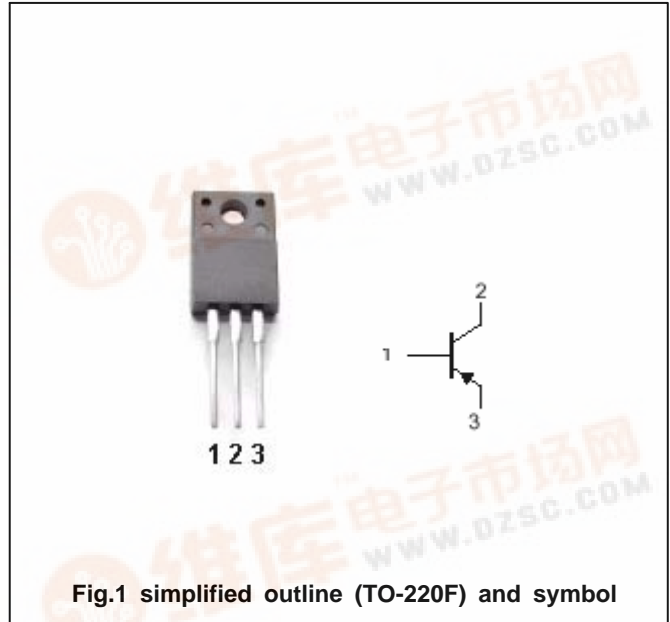
2SB1565

DESCRIPTION

- With TO-220F package
- Excellent DC current gain characteristics
- Low collector saturation voltage
- Wide SOA (safe operating area)
- Complement to type 2SD2394

PINNING

PIN	DESCRIPTION
1	Base
2	Collector
3	Emitter



Absolute maximum ratings (Ta=25)

SYMBOL	PARAMETER	CONDITIONS	MAX	UNIT
V _{CBO}	Collector-base voltage	Open emitter	-80	V
V _{CEO}	Collector-emitter voltage	Open base	-60	V
V _{EBO}	Emitter-base voltage	Open collector	-7	V
I _C	Collector current		-3	A
I _{CM}	Collector current-peak		-6	A
P _C	Collector dissipation	T _a =25	2	W
		T _C =25	25	
T _j	Junction temperature		150	
T _{stg}	Storage temperature		-55~150	

Silicon PNP Power Transistors

2SB1565

CHARACTERISTICS

T_j=25 unless otherwise specified

SYMBOL	PARAMETER	CONDITIONS	MIN	TYP.	MAX	UNIT
V _{(BR)CEO}	Collector-emitter breakdown voltage	I _C =-1mA ; I _B =0	-60			V
V _{(BR)CBO}	Collector-base breakdown voltage	I _C =-50 μ A ; I _E =0	-80			V
V _{(BR)EBO}	Emitter-base breakdown voltage	I _E =-50 μ A ; I _C =0	-7			V
V _{CEsat}	Collector-emitter saturation voltage	I _C =-2A ; I _B =-0.2A			-1.5	V
V _{BEsat}	Base-emitter saturation voltage	I _C =-2A ; I _B =-0.2A			-1.5	V
I _{CBO}	Collector cut-off current	V _{CB} =-60V ; I _E =0			-10	μ A
I _{EBO}	Emitter cut-off current	V _{EB} =-7V ; I _C =0			-10	μ A
h _{FE}	DC current gain	I _C =-0.5A ; V _{CE} =-5V	100		320	
C _{OB}	Output capacitance	I _E =0 ; V _{CB} =-10V ; f=1MHz		50		pF
f _T	Transition frequency	I _C =-0.5A ; V _{CE} =-5V		15		MHz

◆ h_{FE} Classifications

E	F
100-200	160-320

Silicon PNP Power Transistors

2SB1565

PACKAGE OUTLINE

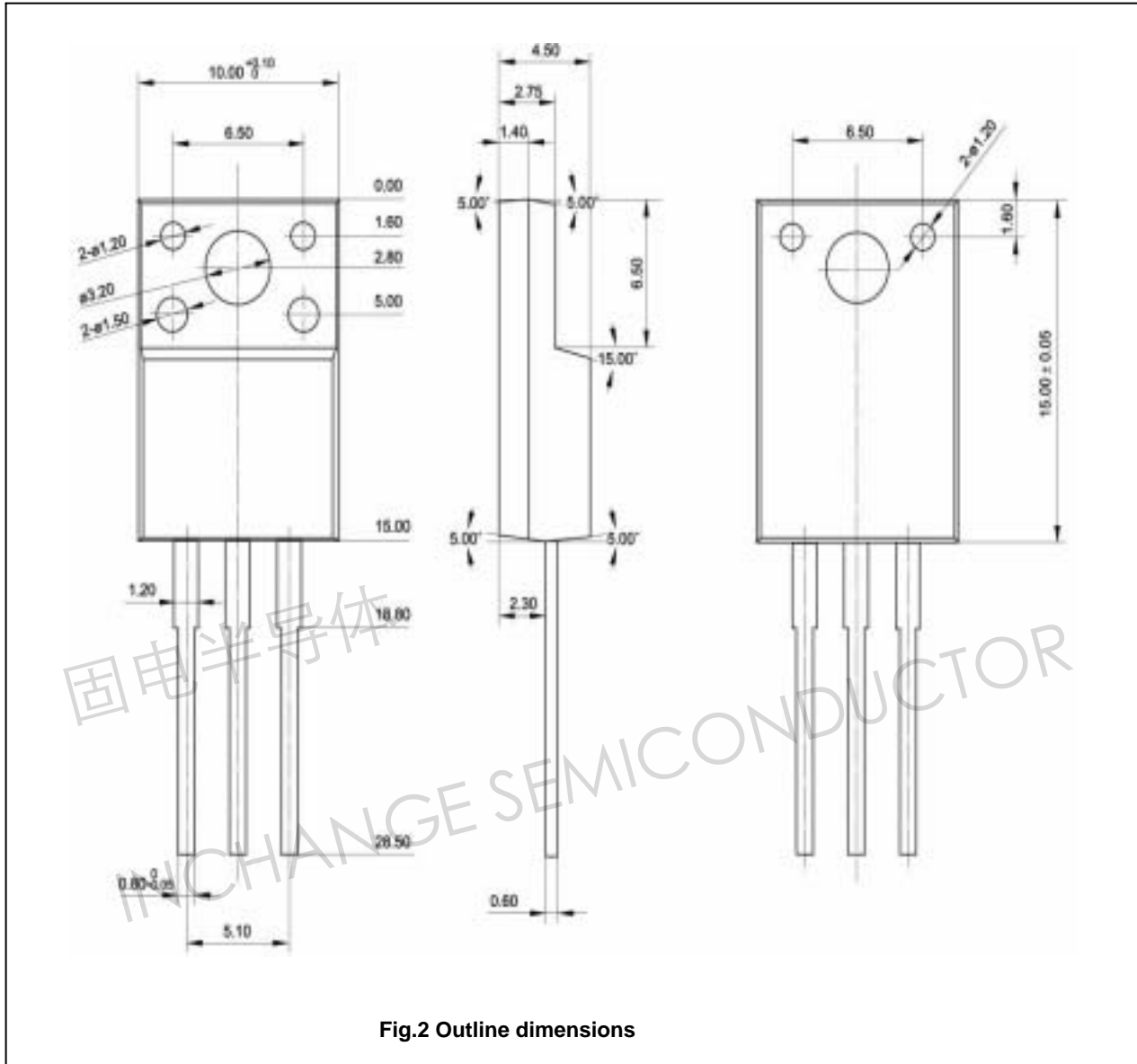


Fig.2 Outline dimensions