

[查询V400W供应商](#)

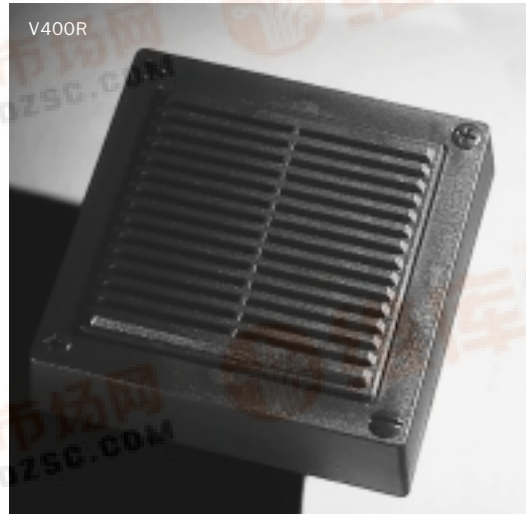
[康多邦，专业PCB打样工厂，24小时加急出货](#)

# V400 Series Speakers



## Models

V400R  
V400B  
V400W



## Features

**Dual voltages: 25 and 70.7 Vrms**

**Multiple selectable taps: ¼ – 2 watts**

**Peak dBA: 90 @ 2 watts**

**Listed to UL 1480 for speakers for fire protective signaling systems**

**System Sensor's V400 series speakers are for use with voice, tone, and visible signaling, and are designed to meet UL1480 Fire Standard Specifications.**

## Engineering Specifications

Speaker shall be a System Sensor Model \_\_\_\_\_ dual transformer speaker capable of operating at 25 and 70.7 Vrms. Speaker shall be listed to Underwriter's Laboratories Standard 1480 for fire protective signaling systems. Speaker shall have a frequency range of 400 to 4000 Hz and shall have an operating temperature between 32° and 120°F. Speaker shall have power taps which are selected by means of a jumper wire(s).



## Specifications – V400 Series

**Input Terminals**  
14 to 18 AWG

**Grille Size/Color**  
4" (102 mm)/red

**Weight**  
.7 lb (317 gm)

**Mounting** (Order mounting plates separately.)  
Semi-flush: 4" x 4" x 1 1/2"-2 1/8" standard backbox. For 12- or 14-gauge wire, a 2 1/8" backbox is recommended.

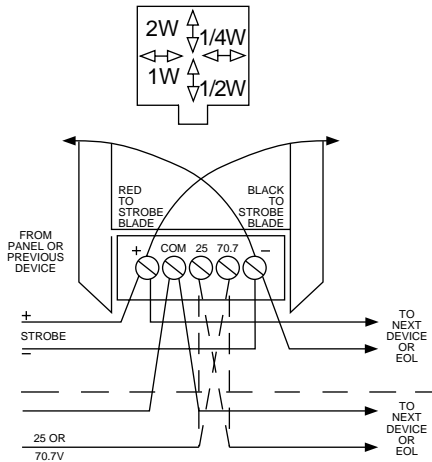
Flush: deep backbox (BBD) with flush mounting plate

**Operating Temperature Range**  
32° to 120°F (0° to 49°C)

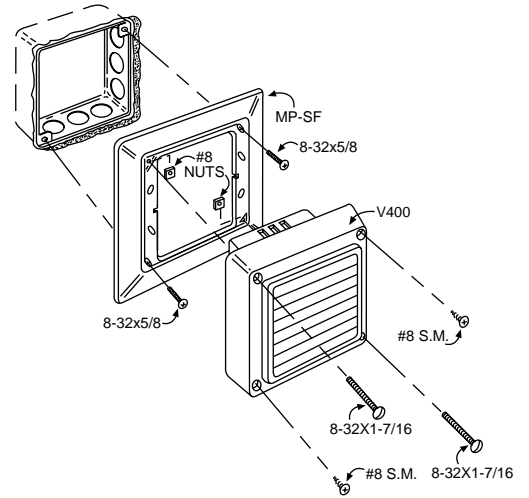
**Voltage Input**  
25 volts or 70.7 volts (nominal)

**Frequency Range**  
400 – 4000 Hz

## Power Tap Selection



## Semi-flush Mounting Diagram



## Power Tap Selection and Sound Output

	2 watt	1 watt	1/2 watt	1/4 watt
UL Reverberant (dBA @ 10 ft)	84	81	78	75
Anechoic (dBA @ 10 ft)	87	84	81	78
Peak Anechoic (dBA @ 10 ft)	90	87	84	81

## Ordering Information

### V400 Series Speakers

Red Model	Beige Model	White Model	Description
V400R	V400B	V400W	V400 series speaker
MP-F	MP-FB	MP-FW	Flush mounting plate
BB-D	—	—	Flush mounting deep backbox, 2 3/4" deep
MP-SF	MP-SFB	MP-SFW	Semi-flush mounting plate

## System Sensor Sales and Service

**System Sensor Headquarters**  
3825 Ohio Avenue  
St. Charles, IL 60174  
Ph: 800-SENSOR2  
Fx: 630/377-6495  
Documents on Demand  
1-800-736-7672 x3

**System Sensor Canada**  
Ph: 905.812.0767  
Fx: 905.812.0771

**System Sensor Europe**  
Ph: 011.44.1403.276500  
Fx: 011.44.1403.276501

**System Sensor in China**  
Ph: 011.86.29.524.6253  
Fx: 011.86.29.524.6259

**System Sensor in Singapore**  
Ph: 011.65.273.2230  
Fx: 011.65.273.2610

**System Sensor– Far East**  
Ph: 011.85.22.191.9003  
Fx: 011.85.22.736.6580

**System Sensor– Australia**  
Ph: 011.613.54.281.142  
Fx: 011.613.54.281.172