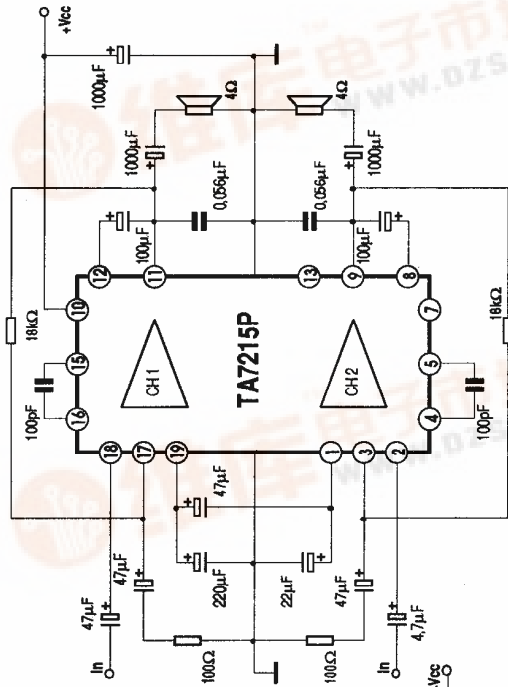


TA7215P



I_{CC}max 70 mA
P_O 2*2,2W
Noise 2 µV

2*Power Amplifier 2,2W

V_{CC}rng 4.5 - 16V
V_{CC}typ 9V
I_{CC}typ 45 mA
R_L 4 Ω
R_{IN} 15 kΩ
Remarks BTL 5,5W
Gain 45 dB
THD 10%
Case PDIP 20 W1

