

## FEATURE

1. CMOS process, high performance and stability
2. Extra low power consumption
3. Operate in DC 3V
4. Build-in delay function
5. Minimize external components
6. 5 bonding wire only
7. Extra low power operating current

## DESCRIPTION

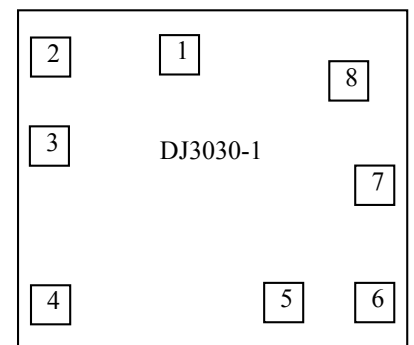
DJ3030-1 is designed for driving EL on product's back light. The operating voltage is DC 3V . Single choke be used, and 1 diode and 2 transistors are necessary. DJ3030-1 supply a positive trigger pin.(non-retriggerable) Build-in delay time is about 3 sec.

## Absolute Maximum Ratings

Parameter	Symbol	Min.	Max.	Unit
Supply voltage	VDD	-0.3	5	V
Input/Output voltage	Vi, Vo	VSS-0.3	VDD+0.3	V
Storage temperature	Tstg	-40	125	° C
Operating temperature	Top	0	70	° C

## Pad Assignment & Position

Pin No.	Pin Name	X (um)	Y (um)
1	SWT	398	842
2	VDD	105	842
3	TRG	105	617
4	OSCO	105	105
5	OSCI	633	105
6	TEST	864	105
7	VSS	864	477
8	DCH	788	766



\* Die size : 980 um \* 960 um

\* Substrate must be connect to VDD or open

## Pad Description

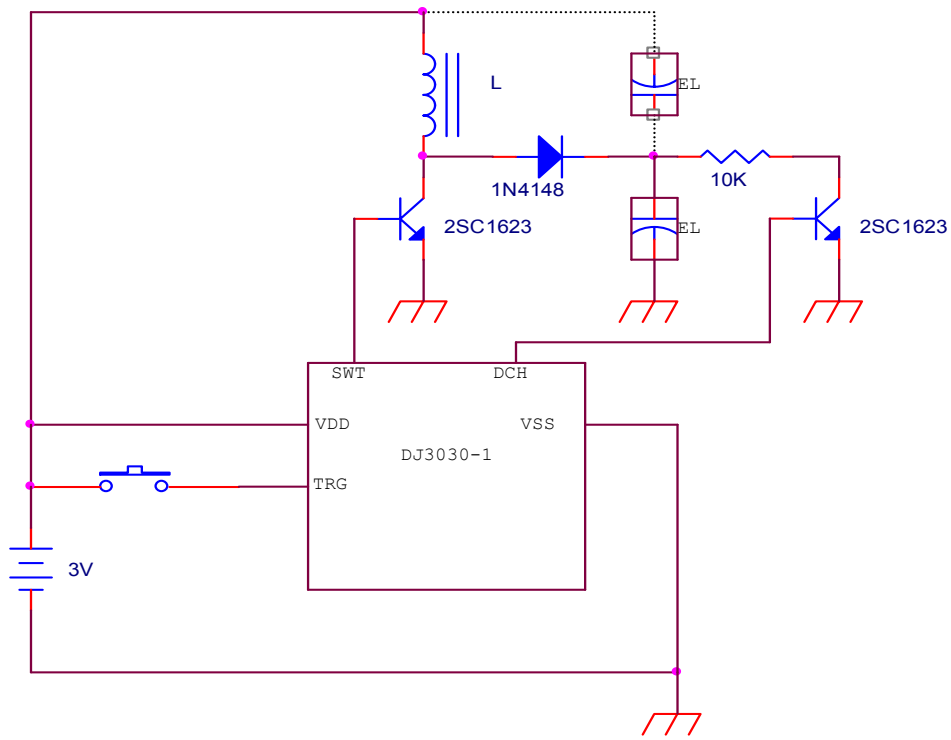
Pad No.	Pad Name	I/O	Description
1	SWT	O	Output pin
2	VDD	Power	Positive power pin
3	TRG	I	Trigger input pin, active "H"
4	OSCO	O	Oscillator output pin
5	OSCI	I	Oscillator input pin
6	TEST	I/O	Internal test pin
7	VSS	Power	Negative power pin
8	DCH	O	Output pin

## DC Electric Characteristics (VDD=3V, VSS=0V)

Parameter	Symbol	Test condition	Min.	Typ.	Max.	Unit
Operating voltage	VDD		1.2	3	4.5	V
Stand-by current	Istb	VDD=3V		0.1	1	uA
Output drive current	Ioh	SWT, Voh=0.8V DCH, Voh=0.8V		1.5 1.0		mA
Output sink current	Iol	SWT, Vol=3V DCH, Vol=3V		30 2.3		mA
OSC freq.	fosc	Build-in, VDD=3V		124		KHz
EL freq.	felosc	Build-in, VDD=3V		650		Hz
High input voltage	Vih	VDD=3V	2.1			V
Low input voltage	Vil	VDD=3V			0.9	V

## Recommended Application Circuit 1

Reference Data(EL=2.7cm <sup>2</sup> )			
L	Coil type	Current consumption	Output voltage
4.2mH/110 ohm	SMD	7mA	140Vpp
4.7mH/17 ohm	DIP	6mA	140Vpp
3.0mH/70 ohm	SMD	10mA	140Vpp



### Recommended Application Circuit 2

Reference Data(EL=2.7cm <sup>2</sup> )			
L	Coil type	Current consumption	Output voltage
4.7mH/16 ohm	DIP	11mA	140Vpp
4.2mH/110 ohm	SMD	10.7mA	140Vpp
5.2mH/145 ohm	SMD	7.8mA	120Vpp

