

# AN5650

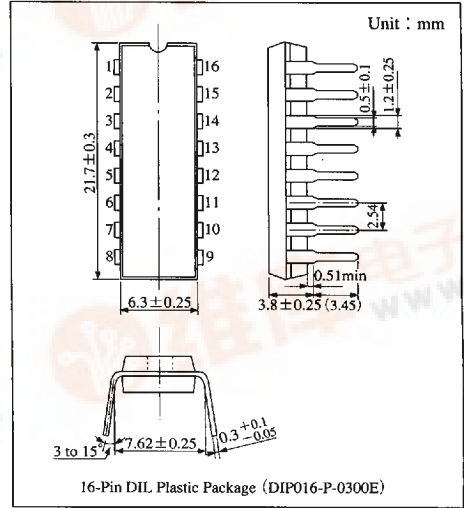
## Synchronous Signal Processing IC for Color TV

### Overview

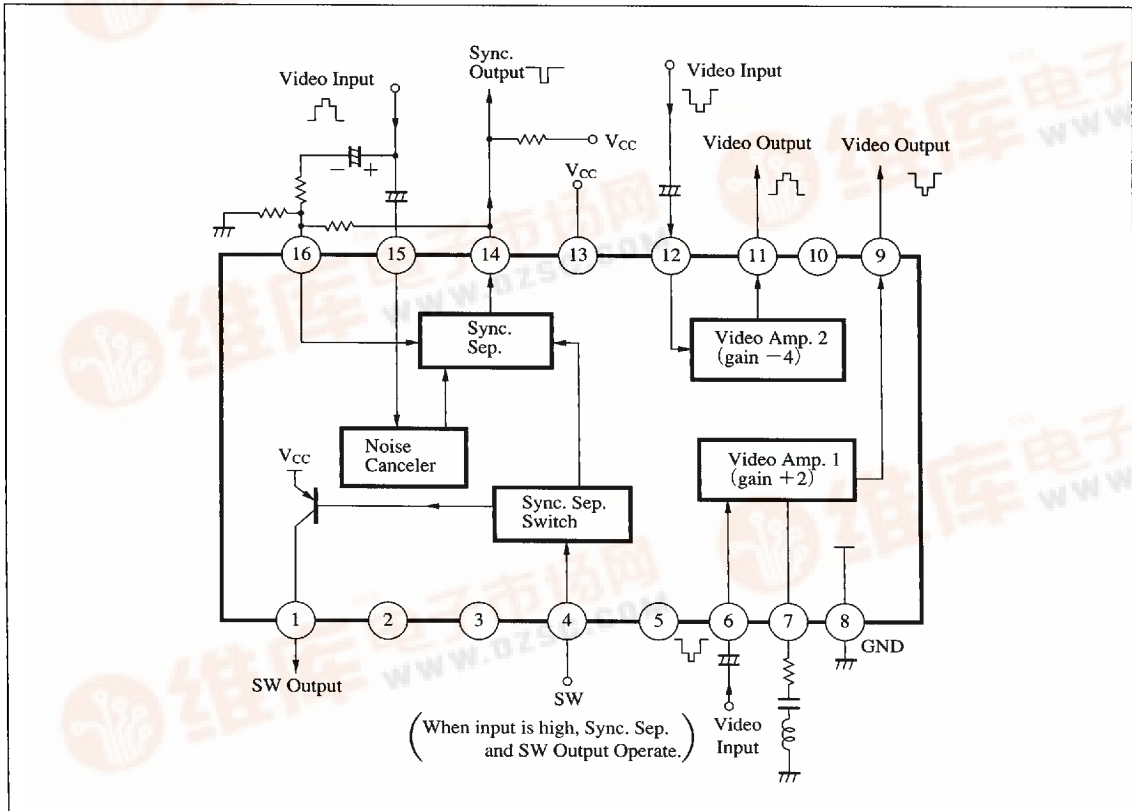
The AN5650 is an integrated circuit designed for color TV synchronous signal processing circuit.

### Features

- Built-in video-signal amplifier circuit.
- Highly stable sync. separation circuit against noise.
- Built-in synchronous signal output-switching circuit.



### Block Diagram



ICs for TV



6932852 0014394 T93

Panasonic