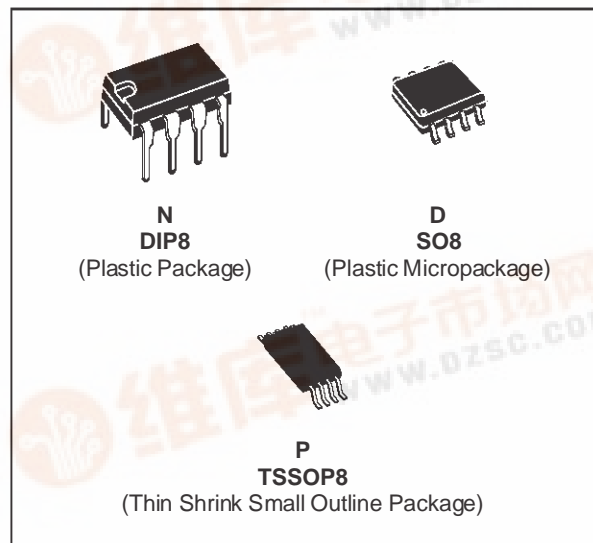




# TL082 TL082A - TL082B

## GENERAL PURPOSE J-FET DUAL OPERATIONAL AMPLIFIER

- WIDE COMMON-MODE (UP TO  $V_{CC}^+$ ) AND DIFFERENTIAL VOLTAGE RANGE
- LOW INPUT BIAS AND OFFSET CURRENT
- OUTPUT SHORT-CIRCUIT PROTECTION
- HIGH INPUT IMPEDANCE J-FET INPUT STAGE
- INTERNAL FREQUENCY COMPENSATION
- LATCH UP FREE OPERATION
- HIGH SLEW RATE :  $16V/\mu s$  (typ)



### DESCRIPTION

The TL082, TL082A and TL082B are high speed J-FET input dual operational amplifiers incorporating well matched, high voltage J-FET and bipolar transistors in a monolithic integrated circuit.

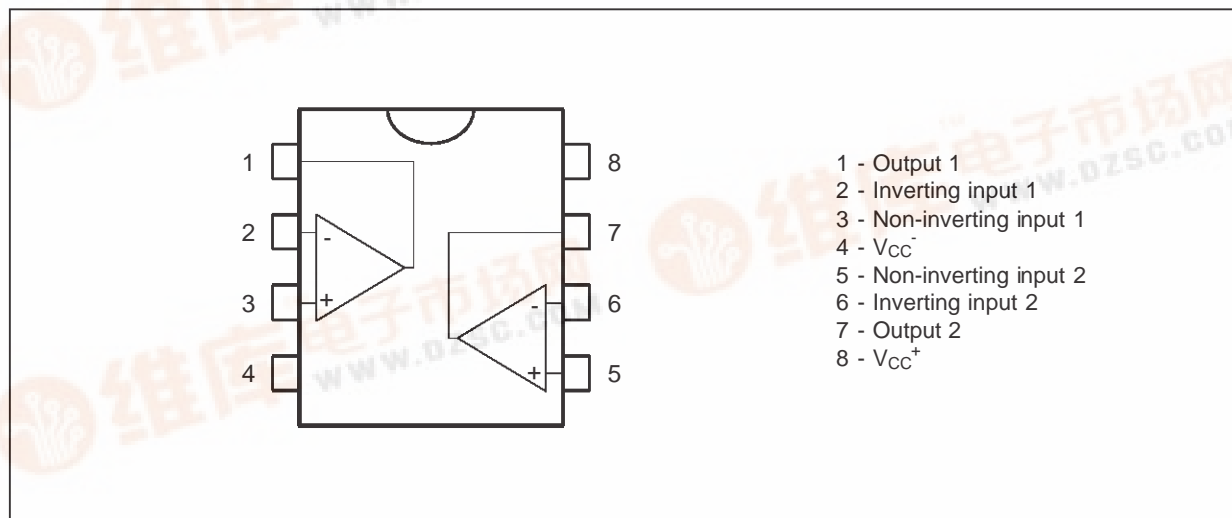
The devices feature high slew rates, low input bias and offset current, and low offset voltage temperature coefficient.

### ORDER CODES

| Part Number  | Temperature Range | Package |   |   |
|--------------|-------------------|---------|---|---|
|              |                   | N       | D | P |
| TL082M/AM/BM | -55°C, +125°C     | •       | • | • |
| TL082I/AI/BI | -40°C, +105°C     | •       | • | • |
| TL082C/AC/BC | 0°C, +70°C        | •       | • | • |

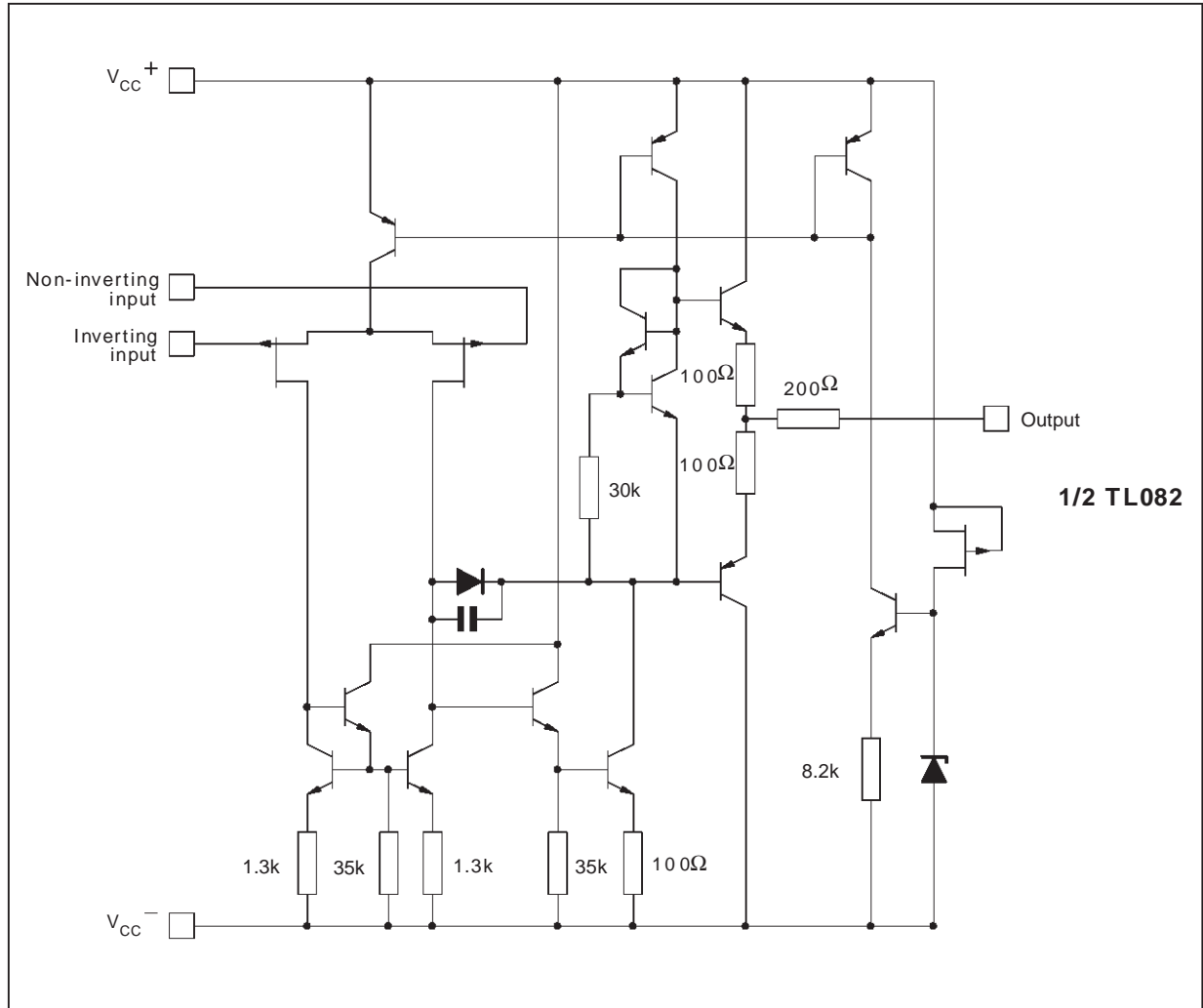
Examples : TL082CD, TL082IN

### PIN CONNECTIONS (top view)



# TL082 - TL082A - TL082B

## SCHEMATIC DIAGRAM



## ABSOLUTE MAXIMUM RATINGS

| Symbol     | Parameter                                | Value  | Unit                                |                    |
|------------|--|--|-------------------------------------|--------------------|
| $V_{CC}$   | Supply Voltage - (note 1)                | $\pm 18$                                     | V                                   |                    |
| $V_i$      | Input Voltage - (note 3)                 | $\pm 15$                                     | V                                   |                    |
| $V_{id}$   | Differential Input Voltage - (note 2)    | $\pm 30$                                     | V                                   |                    |
| $P_{tot}$  | Power Dissipation                        | 680  | mW                                  |                    |
|            | Output Short-circuit Duration - (note 4) | Infinite                                     |                                     |                    |
| $T_{oper}$ | Operating Free Air Temperature Range     | TL082C,AC,BC<br>TL082I,AI,BI<br>TL082M,AM,BM | 0 to 70<br>-40 to 105<br>-55 to 125 | $^{\circ}\text{C}$ |
| $T_{stg}$  | Storage Temperature Range                |  | -65 to 150                          | $^{\circ}\text{C}$ |

- Notes :
1. All voltage values, except differential voltage, are with respect to the zero reference level (ground) of the supply voltages where the zero reference level is the midpoint between  $V_{CC}^+$  and  $V_{CC}^-$ .
  2. Differential voltages are at the non-inverting input terminal with respect to the inverting input terminal.
  3. The magnitude of the input voltage must never exceed the magnitude of the supply voltage or 15 volts, whichever is less.
  4. The output may be shorted to ground or to either supply. Temperature and /or supply voltages must be limited to ensure that the dissipation rating is not exceeded.

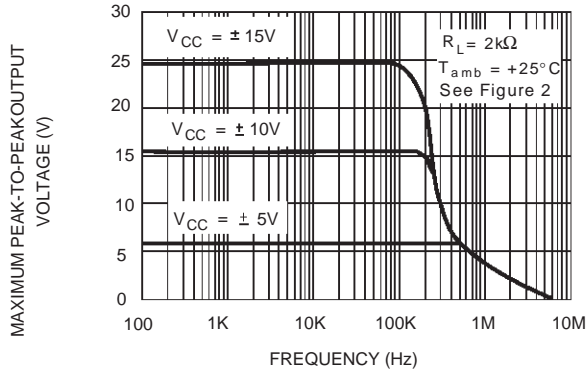
**ELECTRICAL CHARACTERISTICS**

V<sub>CC</sub> = ±15V, T<sub>amb</sub> = 25°C (unless otherwise specified)

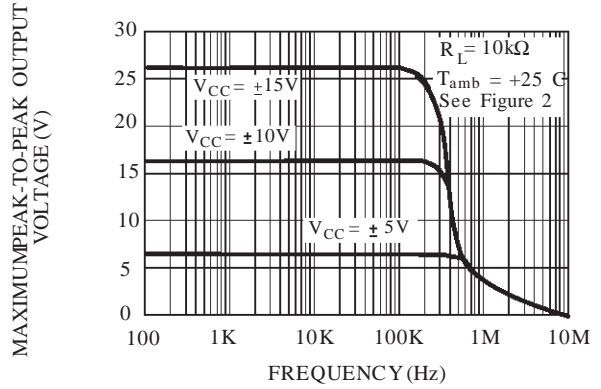
| Symbol                           | Parameter   | TL082I,M,AC,AI,<br>AM,BC,BI,BM |                      |  | TL082C   |                           |                  | Unit                   |
|----------------------------------|---|--------------------------------|----------------------|--|----------|---------------------------|------------------|------------------------|
|                                  |   | Min.                           | Typ.                 | Max.   | Min.     | Typ.                      | Max.             |                        |
| V <sub>io</sub>                  | Input Offset Voltage (R <sub>S</sub> = 50Ω)<br>T <sub>amb</sub> = 25°C<br><br>T <sub>min.</sub> ≤ T <sub>amb</sub> ≤ T <sub>max.</sub>                                    |                                | 3<br>3<br>1          | 10<br>6<br>3<br>13<br>7<br>5                   |          | 3<br><br><br><br><br><br> | 10<br><br><br>13 | mV                     |
| DV <sub>io</sub>                 | Input Offset Voltage Drift  |                                | 10                   |  |          | 10                        |                  | μV/°C                  |
| I <sub>io</sub>                  | Input Offset Current *<br>T <sub>amb</sub> = 25°C<br>T <sub>min.</sub> ≤ T <sub>amb</sub> ≤ T <sub>max.</sub>   |                                | 5                    | 100<br>4                                       |          | 5<br><br>100<br>4         |                  | pA<br>nA               |
| I <sub>ib</sub>                  | Input Bias Current *<br>T <sub>amb</sub> = 25°C<br>T <sub>min.</sub> ≤ T <sub>amb</sub> ≤ T <sub>max.</sub>   |                                | 20                   | 200<br>20                                      |          | 20<br><br>400<br>20       |                  | pA<br>nA               |
| A <sub>vd</sub>                  | Large Signal Voltage Gain (R <sub>L</sub> = 2kΩ, V <sub>O</sub> = ±10V)<br>T <sub>amb</sub> = 25°C<br>T <sub>min.</sub> ≤ T <sub>amb</sub> ≤ T <sub>max.</sub>            | 50<br>25                       | 200                  |  | 25<br>15 | 200                       |                  | V/mV                   |
| SVR                              | Supply Voltage Rejection Ratio (R <sub>S</sub> = 50Ω)<br>T <sub>amb</sub> = 25°C<br>T <sub>min.</sub> ≤ T <sub>amb</sub> ≤ T <sub>max.</sub>                              | 80<br>80                       | 86                   |  | 70<br>70 | 86                        |                  | dB                     |
| I <sub>CC</sub>                  | Supply Current, per Amp, no Load<br>T <sub>amb</sub> = 25°C<br>T <sub>min.</sub> ≤ T <sub>amb</sub> ≤ T <sub>max.</sub>   |                                | 1.4                  | 2.5<br>2.5                                     |          | 1.4<br><br>2.5<br>2.5     |                  | mA                     |
| V <sub>icm</sub>                 | Input Common Mode Voltage Range   | ±11                            | +15<br>-12           |  | ±11      | +15<br>-12                |                  | V                      |
| CMR                              | Common Mode Rejection Ratio (R <sub>S</sub> = 50Ω)<br>T <sub>amb</sub> = 25°C<br>T <sub>min.</sub> ≤ T <sub>amb</sub> ≤ T <sub>max.</sub>                                 | 80<br>80                       | 86                   |  | 70<br>70 | 86                        |                  | dB                     |
| I <sub>os</sub>                  | Output Short-circuit Current<br>T <sub>amb</sub> = 25°C<br>T <sub>min.</sub> ≤ T <sub>amb</sub> ≤ T <sub>max.</sub>   | 10<br>10                       | 40                   | 60<br>60                                       | 10<br>10 | 40<br><br>60<br>60        |                  | mA                     |
| ±V <sub>OPP</sub>                | Output Voltage Swing<br>T <sub>amb</sub> = 25°C<br><br>T <sub>min.</sub> ≤ T <sub>amb</sub> ≤ T <sub>max.</sub>   |                                | 10<br>12<br>10<br>12 | RL = 2kΩ<br>RL = 10kΩ<br>RL = 2kΩ<br>RL = 10kΩ |          | 10<br>12<br>10<br>12      | 12<br>13.5       | V                      |
| SR                               | Slew Rate (V <sub>in</sub> = 10V, R <sub>L</sub> = 2kΩ, C <sub>L</sub> = 100pF,<br>T <sub>amb</sub> = 25°C, unity gain)   | 8                              | 16                   |  | 8        | 16                        |                  | V/μs                   |
| t <sub>r</sub>                   | Rise Time (V <sub>in</sub> = 20mV, R <sub>L</sub> = 2kΩ, C <sub>L</sub> = 100pF,<br>T <sub>amb</sub> = 25°C, unity gain)  |                                | 0.1                  |  |          | 0.1                       |                  | μs                     |
| K <sub>OV</sub>                  | Overshoot (V <sub>in</sub> = 20mV, R <sub>L</sub> = 2kΩ, C <sub>L</sub> = 100pF,<br>T <sub>amb</sub> = 25°C, unity gain)  |                                | 10                   |  |          | 10                        |                  | %                      |
| GBP                              | Gain Bandwidth Product (f = 100kHz,<br>T <sub>amb</sub> = 25°C, V <sub>in</sub> = 10mV, R <sub>L</sub> = 2kΩ, C <sub>L</sub> = 100pF)                                     | 2.5                            | 4                    |  | 2.5      | 4                         |                  | MHz                    |
| R <sub>i</sub>                   | Input Resistance  |                                | 10 <sup>12</sup>     |  |          | 10 <sup>12</sup>          |                  | Ω                      |
| THD                              | Total Harmonic Distortion (f = 1kHz, A <sub>V</sub> = 20dB,<br>R <sub>L</sub> = 2kΩ, C <sub>L</sub> = 100pF, T <sub>amb</sub> = 25°C, V <sub>O</sub> = 2V <sub>PP</sub> ) |                                | 0.01                 |  |          | 0.01                      |                  | %                      |
| e <sub>n</sub>                   | Equivalent Input Noise Voltage<br>(f = 1kHz, R <sub>S</sub> = 100Ω)   |                                | 15                   |  |          | 15                        |                  | $\frac{nV}{\sqrt{Hz}}$ |
| ∅ <sub>m</sub>                   | Phase Margin  |                                | 45                   |  |          | 45                        |                  | Degrees                |
| V <sub>O1</sub> /V <sub>O2</sub> | Channel Separation (A <sub>V</sub> = 100)   |                                | 120                  |  |          | 120                       |                  | dB                     |

\* The input bias currents are junction leakage currents which approximately double for every 10°C increase in the junction temperature.

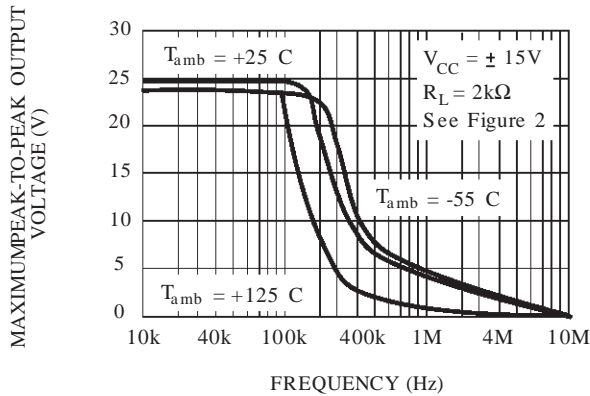
**MAXIMUM PEAK-TO-PEAK OUTPUT VOLTAGE VERSUS FREQUENCY**



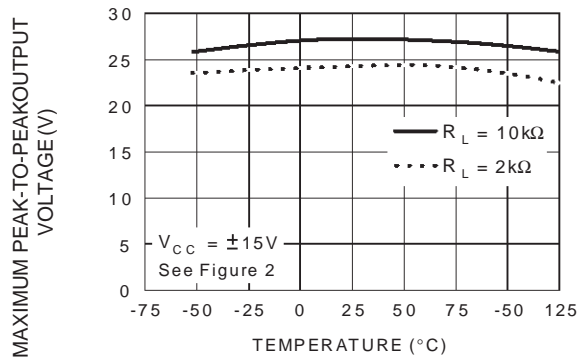
**MAXIMUM PEAK-TO-PEAK OUTPUT VOLTAGE VERSUS FREQUENCY**



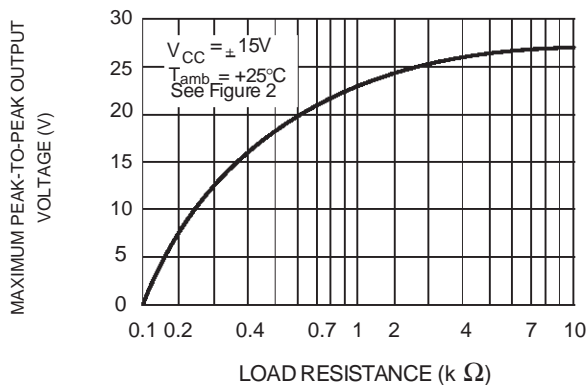
**MAXIMUM PEAK-TO-PEAK OUTPUT VOLTAGE VERSUS FREQUENCY**



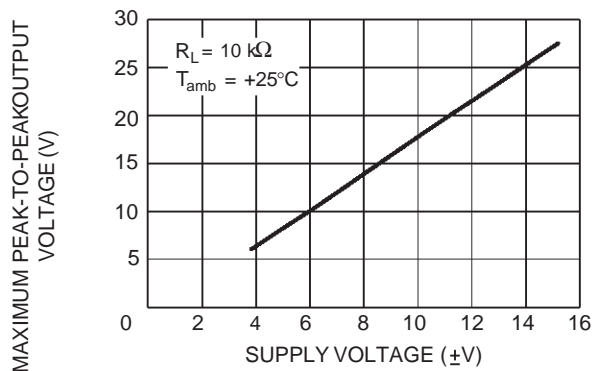
**MAXIMUM PEAK-TO-PEAK OUTPUT VOLTAGE VERSUS FREE AIR TEMP.**



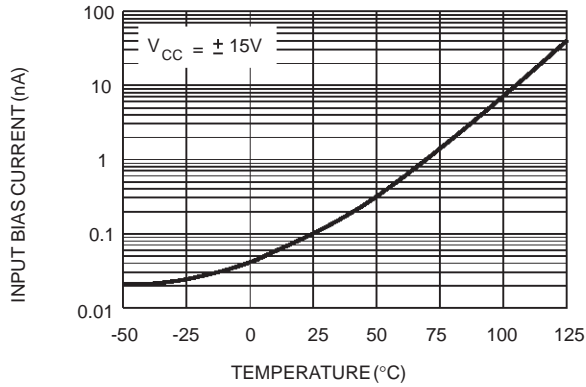
**MAXIMUM PEAK-TO-PEAK OUTPUT VOLTAGE VERSUS LOAD RESISTANCE**



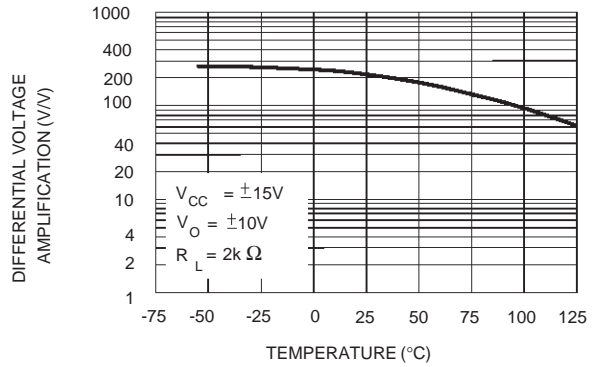
**MAXIMUM PEAK-TO-PEAK OUTPUT VOLTAGE VERSUS SUPPLY VOLTAGE**



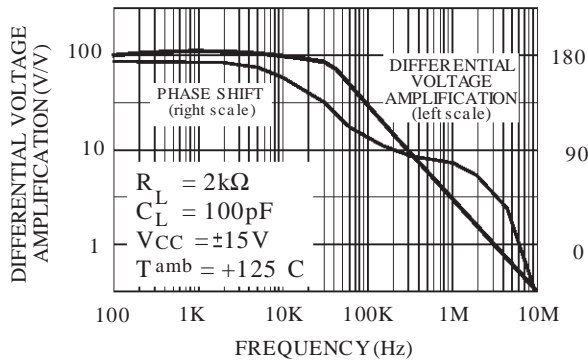
**INPUT BIAS CURRENT VERSUS FREE AIR TEMPERATURE**



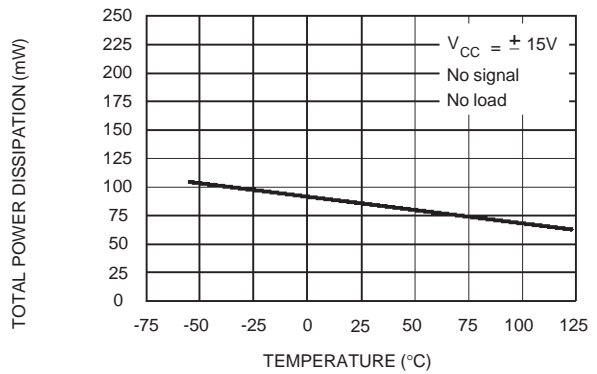
**LARGE SIGNAL DIFFERENTIAL VOLTAGE AMPLIFICATION VERSUS FREE AIR TEMPERATURE**



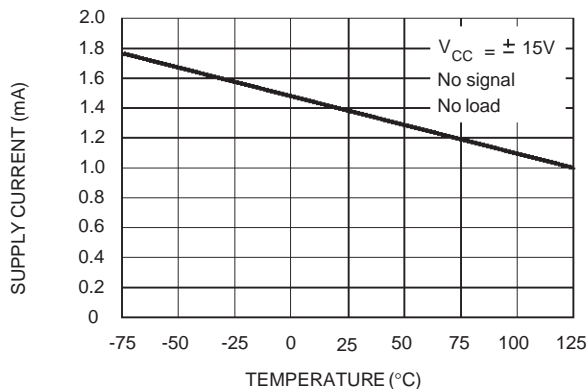
**LARGE SIGNAL DIFFERENTIAL VOLTAGE AMPLIFICATION AND PHASE SHIFT VERSUS FREQUENCY**



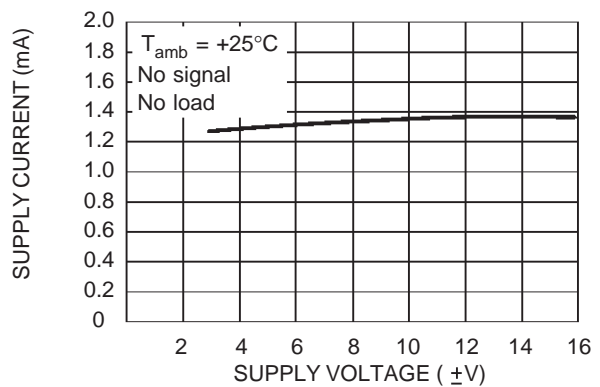
**TOTAL POWER DISSIPATION VERSUS FREE AIR TEMPERATURE**



**SUPPLY CURRENT PER AMPLIFIER VERSUS FREE AIR TEMPERATURE**

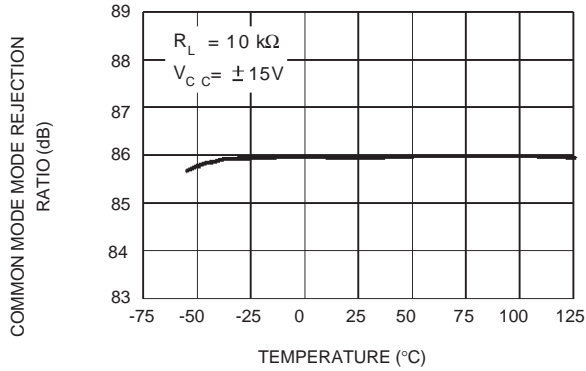


**SUPPLY CURRENT PER AMPLIFIER VERSUS SUPPLY VOLTAGE**

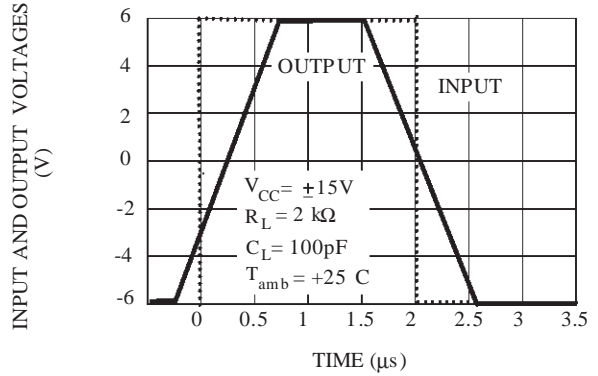


**TL082 - TL082A - TL082B**

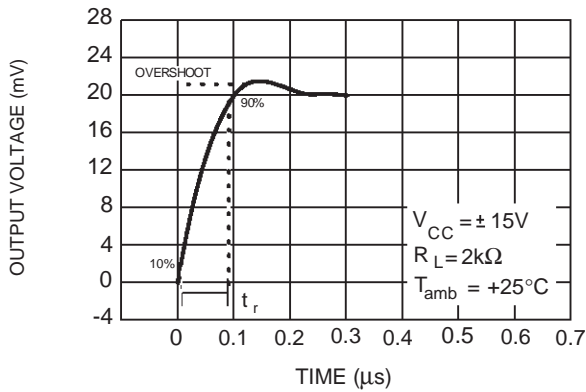
**COMMON MODE REJECTION RATIO VERSUS FREE AIR TEMPERATURE**



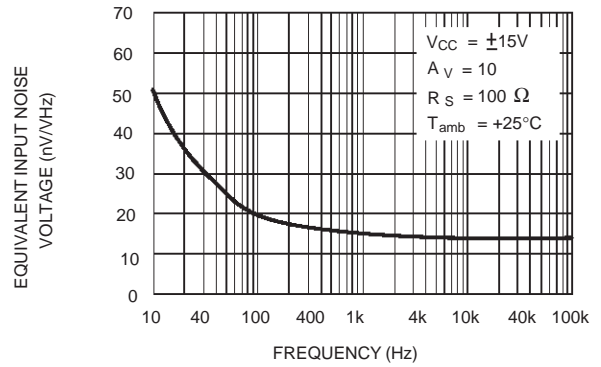
**VOLTAGE FOLLOWER LARGE SIGNAL PULSE RESPONSE**



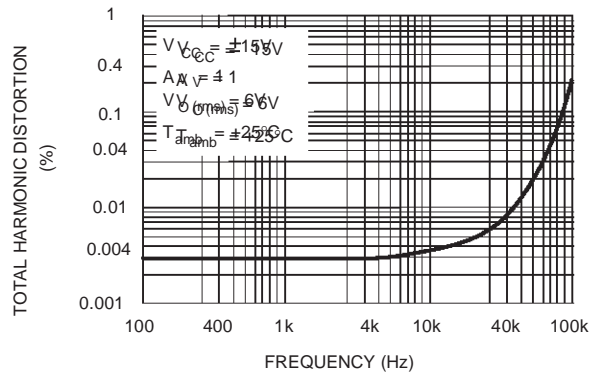
**OUTPUT VOLTAGE VERSUS ELAPSED TIME**



**EQUIVALENT INPUT NOISE VOLTAGE VERSUS FREQUENCY**



**TOTAL HARMONIC DISTORTION VERSUS FREQUENCY**



PARAMETER MEASUREMENT INFORMATION

Figure 1 : Voltage Follower

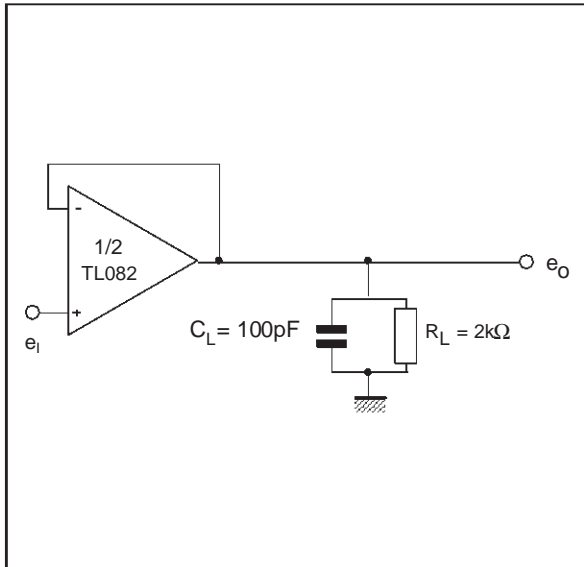
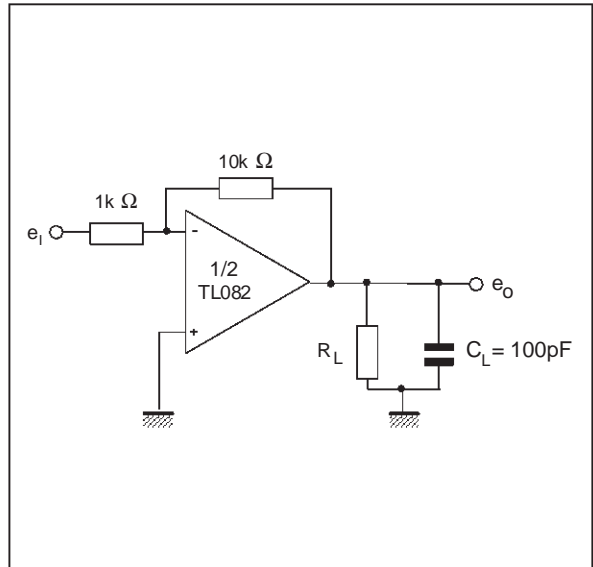
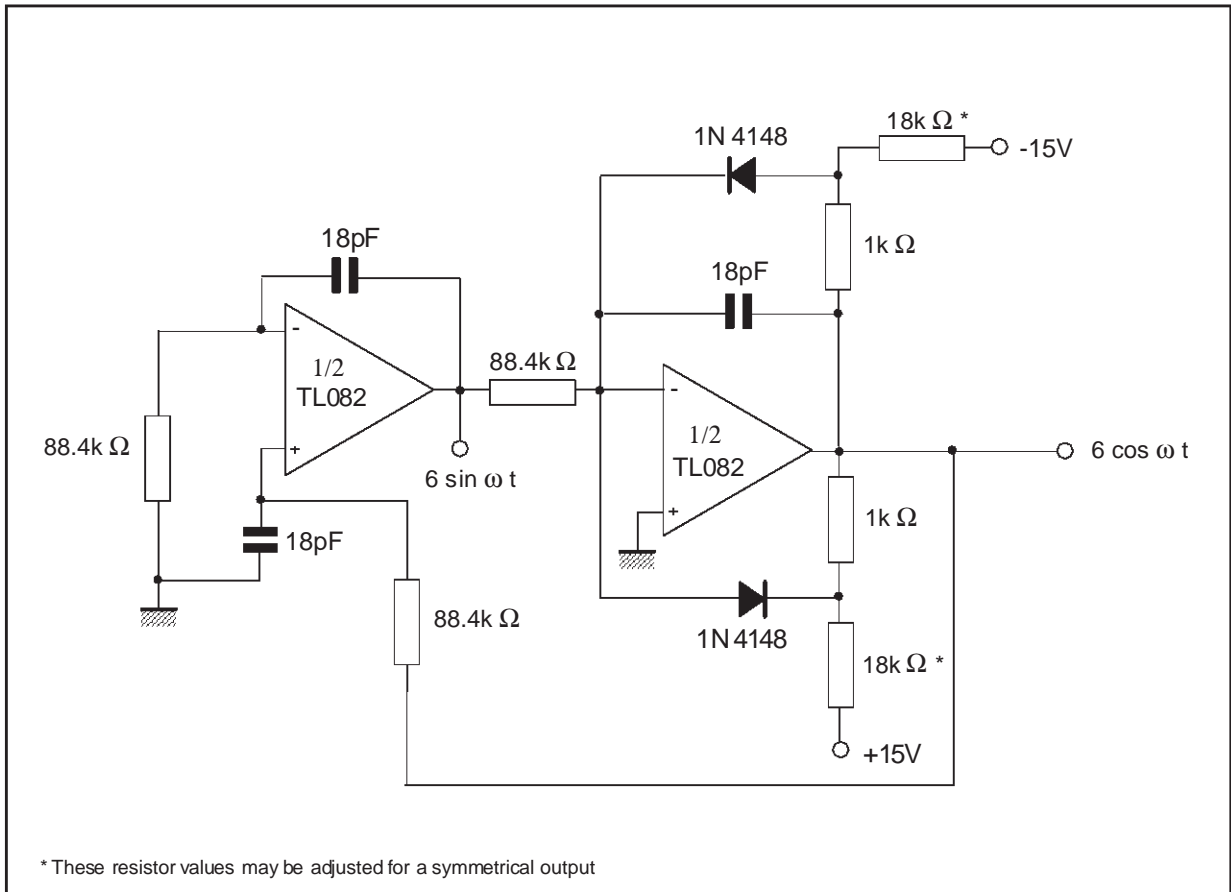


Figure 2 : Gain-of-10 Inverting Amplifier



TYPICAL APPLICATION

100KHz QUADRUPLE OSCILLATOR

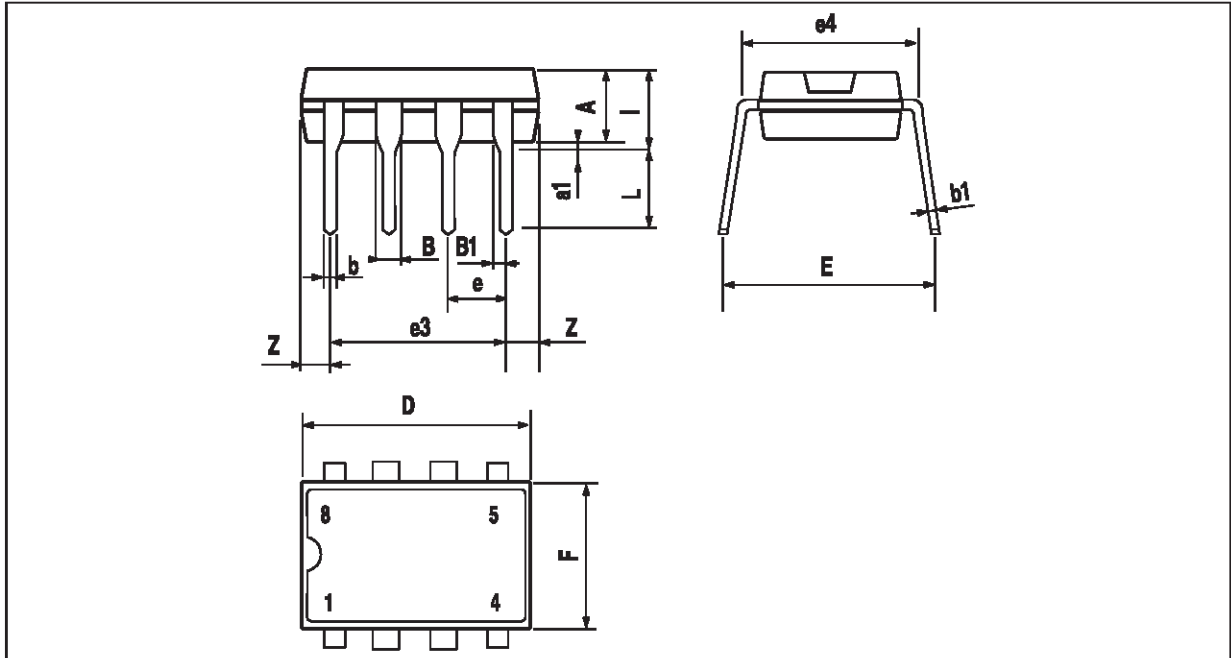


\* These resistor values may be adjusted for a symmetrical output

## TL082 - TL082A - TL082B

### PACKAGE MECHANICAL DATA

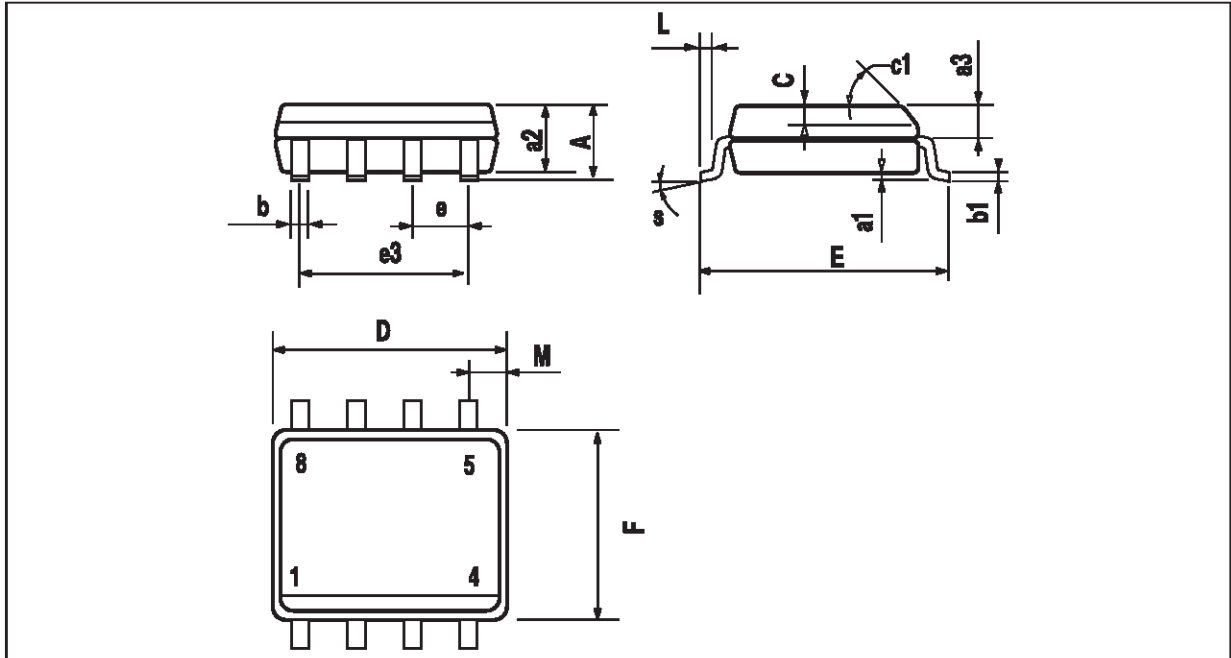
8 PINS - PLASTIC DIP



| Dimensions | Millimeters |      |       | Inches |       |       |
|------------|-------------|------|-------|--------|-------|-------|
|            | Min.        | Typ. | Max.  | Min.   | Typ.  | Max.  |
| A          |             | 3.32 |       |        | 0.131 |       |
| a1         | 0.51        |      |       | 0.020  |       |       |
| B          | 1.15        |      | 1.65  | 0.045  |       | 0.065 |
| b          | 0.356       |      | 0.55  | 0.014  |       | 0.022 |
| b1         | 0.204       |      | 0.304 | 0.008  |       | 0.012 |
| D          |             |      | 10.92 |        |       | 0.430 |
| E          | 7.95        |      | 9.75  | 0.313  |       | 0.384 |
| e          |             | 2.54 |       |        | 0.100 |       |
| e3         |             | 7.62 |       |        | 0.300 |       |
| e4         |             | 7.62 |       |        | 0.300 |       |
| F          |             |      | 6.6   |        |       | 0.260 |
| i          |             |      | 5.08  |        |       | 0.200 |
| L          | 3.18        |      | 3.81  | 0.125  |       | 0.150 |
| Z          |             |      | 1.52  |        |       | 0.060 |



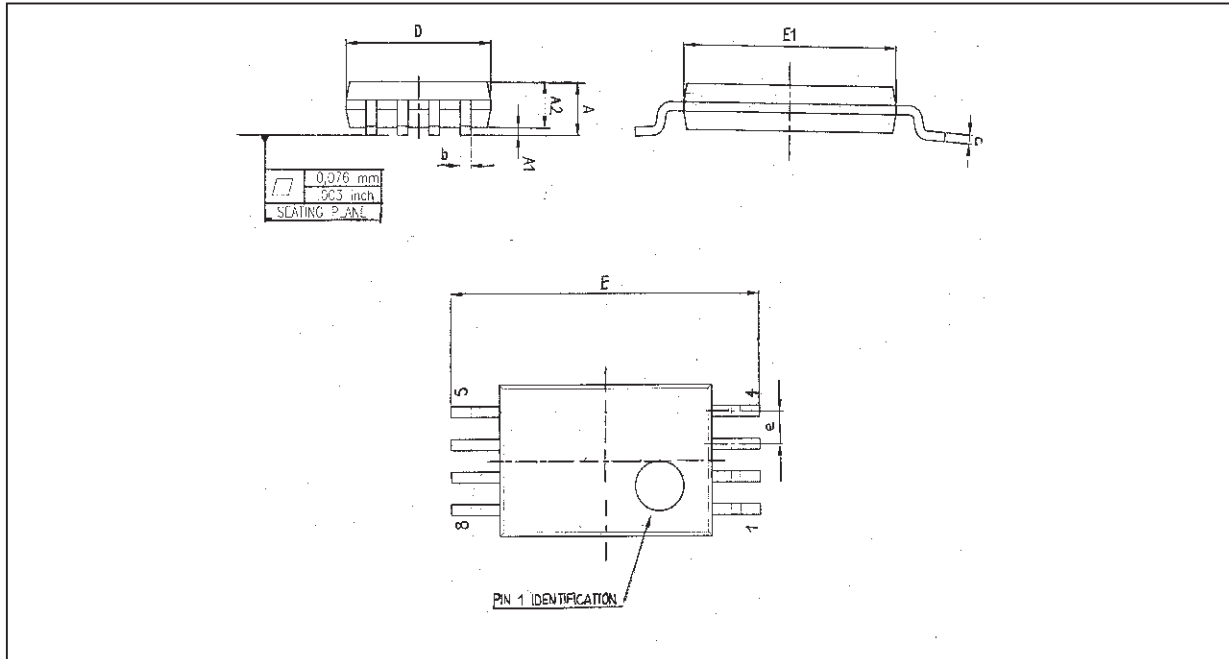
**PACKAGE MECHANICAL DATA**  
8 PINS - PLASTIC MICROPACKAGE (SO)



| Dimensions | Millimeters       |      |      | Inches |       |       |
|------------|-------------------|------|------|--------|-------|-------|
|            | Min.              | Typ. | Max. | Min.   | Typ.  | Max.  |
| A          |                   |      | 1.75 |        |       | 0.069 |
| a1         | 0.1               |      | 0.25 | 0.004  |       | 0.010 |
| a2         |                   |      | 1.65 |        |       | 0.065 |
| a3         | 0.65              |      | 0.85 | 0.026  |       | 0.033 |
| b          | 0.35              |      | 0.48 | 0.014  |       | 0.019 |
| b1         | 0.19              |      | 0.25 | 0.007  |       | 0.010 |
| C          | 0.25              |      | 0.5  | 0.010  |       | 0.020 |
| c1         | $45^\circ$ (typ.) |      |      |        |       |       |
| D          | 4.8               |      | 5.0  | 0.189  |       | 0.197 |
| E          | 5.8               |      | 6.2  | 0.228  |       | 0.244 |
| e          |                   | 1.27 |      |        | 0.050 |       |
| e3         |                   | 3.81 |      |        | 0.150 |       |
| F          | 3.8               |      | 4.0  | 0.150  |       | 0.157 |
| L          | 0.4               |      | 1.27 | 0.016  |       | 0.050 |
| M          |                   |      | 0.6  |        |       | 0.024 |
| S          | $8^\circ$ (max.)  |      |      |        |       |       |

# TL082 - TL082A - TL082B

## PACKAGE MECHANICAL DATA 8 PINS - THIN SHRINK SMALL OUTLINE PACKAGE



| Dim. | Millimeters |      |      | Inches |        |       |
|------|-------------|------|------|--------|--------|-------|
|      | Min.        | Typ. | Max. | Min.   | Typ.   | Max.  |
| A    |             |      | 1.20 |        |        | 0.05  |
| A1   | 0.05        |      | 0.15 | 0.01   |        | 0.006 |
| A2   | 0.80        | 1.00 | 1.05 | 0.031  | 0.039  | 0.041 |
| b    | 0.19        |      | 0.30 | 0.007  |        | 0.15  |
| c    | 0.09        |      | 0.20 | 0.003  |        | 0.012 |
| D    | 2.90        | 3.00 | 3.10 | 0.114  | 0.118  | 0.122 |
| E    |             | 6.40 |      |        | 0.252  |       |
| E1   | 4.30        | 4.40 | 4.50 | 0.169  | 0.173  | 0.177 |
| e    |             | 0.65 |      |        | 0.025  |       |
| k    | 0°          |      | 8°   | 0°     |        | 8°    |
| l    | 0.50        | 0.60 | 0.75 | 0.09   | 0.0236 | 0.030 |

Information furnished is believed to be accurate and reliable. However, STMicroelectronics assumes no responsibility for the consequences of use of such information nor for any infringement of patents or other rights of third parties which may result from its use. No license is granted by implication or otherwise under any patent or patent rights of STMicroelectronics. Specifications mentioned in this publication are subject to change without notice. This publication supersedes and replaces all information previously supplied. STMicroelectronics products are not authorized for use as critical components in life support devices or systems without express written approval of STMicroelectronics.

© The ST logo is a trademark of STMicroelectronics

© 1999 STMicroelectronics – Printed in Italy – All Rights Reserved

STMicroelectronics GROUP OF COMPANIES

Australia - Brazil - Canada - China - France - Germany - Italy - Japan - Korea - Malaysia - Malta - Mexico - Morocco  
The Netherlands - Singapore - Spain - Sweden - Switzerland - Taiwan - Thailand - United Kingdom - U.S.A.

© <http://www.st.com>