

ASAHI KASEI

[AKD4522]



# AKD4522

## Evaluation board Rev.A for AK4522

### General description

AKD4522 is an evaluation board for audio codec, AK4522. A/D converter and D/A converter can be evaluated separately in addition to loopback mode(A/D → D/A). The A/D section can be evaluated by interfacing with AKM's DAC evaluation boards(AKD4319, AKD4320, AKD4321 and AKD4324) directly. The AKD4522 has the interface with AKM's wave generator using ROM data and AKM's ADC evaluation boards(AKD5391/2, AKD5330 and AKD5351/2). Therefore, it is easy to evaluate the D/A section. The AKD4522 also has the digital audio interface and can achieve the interface with digital audio systems via opt-connector

### Ordering guide

AKD4522

--- Evaluation board of AK4522

### Function

- On-Board analog input buffer circuit
- On-board clock generator
- Compatible with the following 2 types of interface
  - 1) Direct interface with AKM's A/D and D/A converter, direct interface with a signal generator(AKD43XX) by 10pin Header
  - 2) DIR/DIT with optical input/output
- A BNC connector for an external clock input

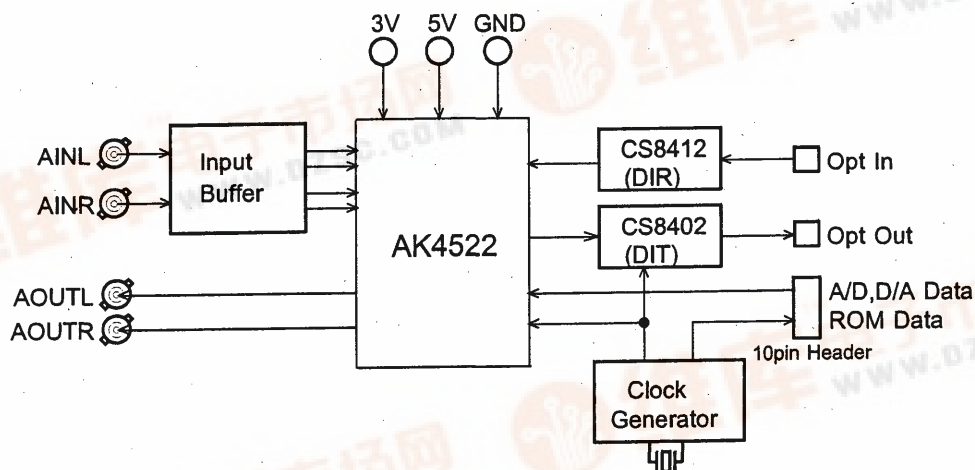
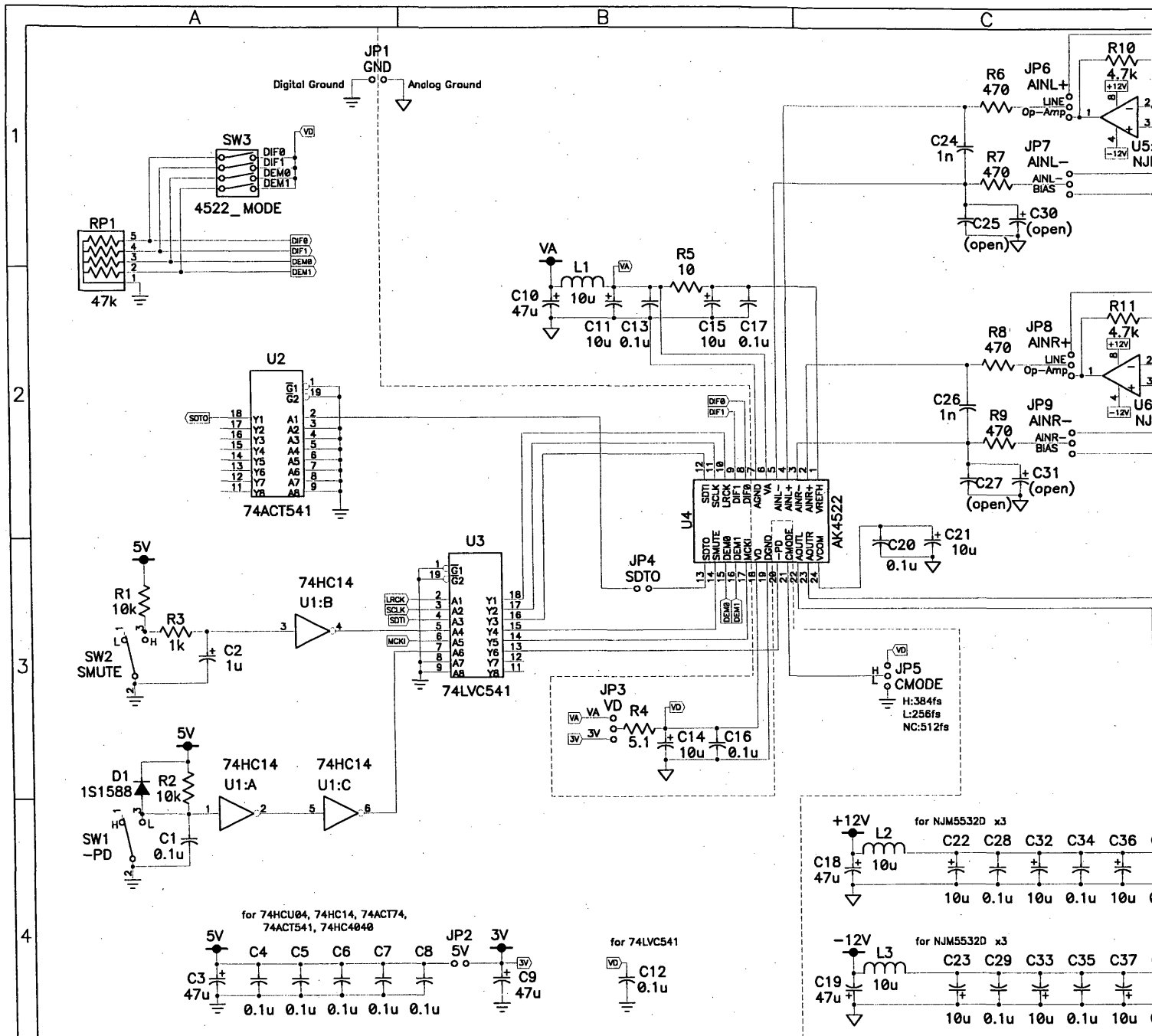
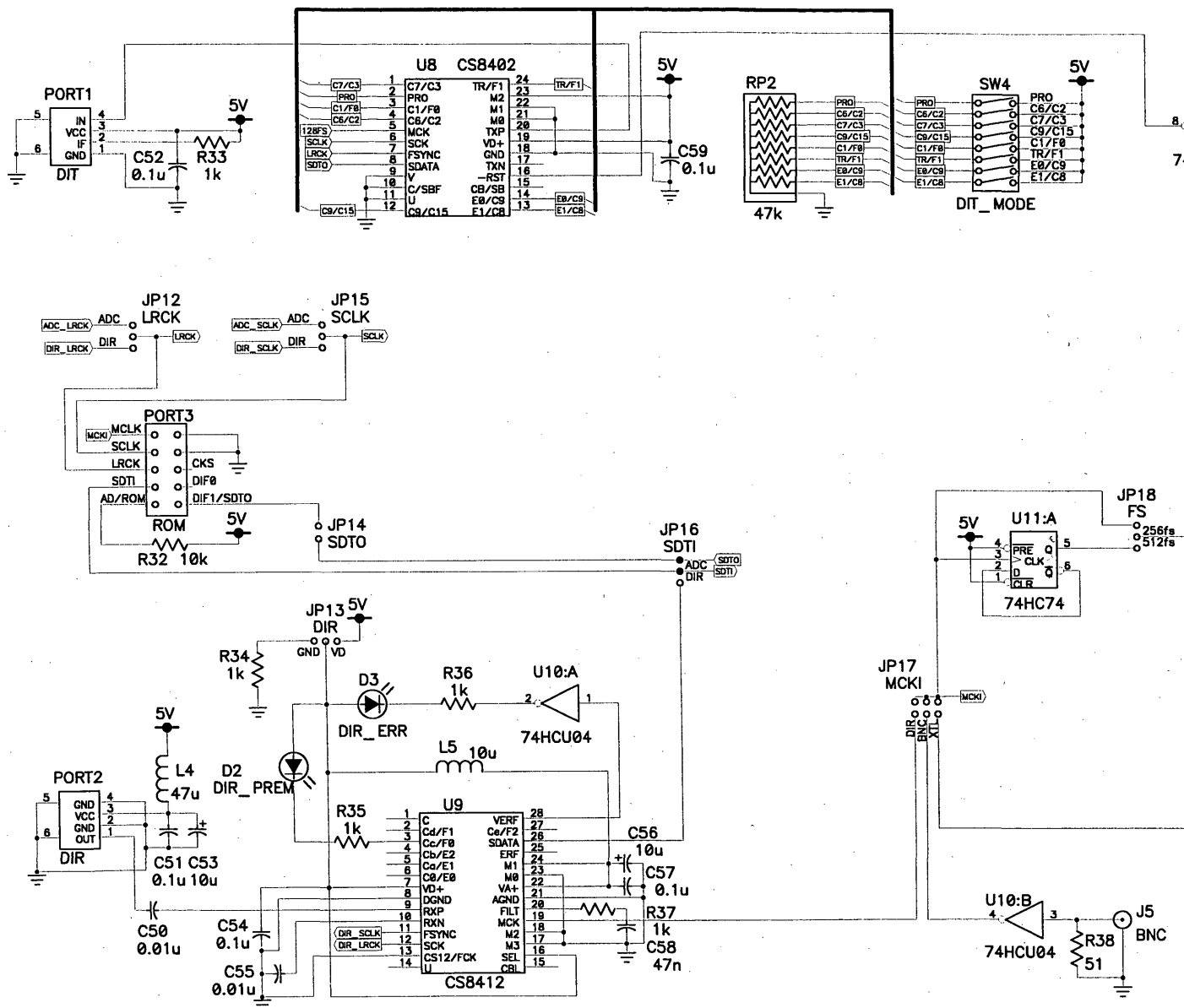


Figure 1. AKD4522 Block Diagram





■ Analog Inputs

The ADC inputs are differential and internally biased to the common voltage( $V_A/2$ ) with  $30k\ \Omega$  (typ) resistance. The signal can be input from either positive or negative input, and the input signal range scales with the supply voltage and nominally  $0.6 \times V_{REFH}$  Vpp. In case of single ended input, the distortion around full scale degrades compared with differential input. The AK4522 can accept input voltages from AGND to  $V_A$ . The ADC output data format is 2's complement. The output code is 7FFFH(@20bit) for input above a positive full scale and 8000H(@20bit) for input below a negative full scale. The ideal code is 0000H(@20bit) with no input signal. The DC offset is removed by the internal HPF.

1. In case of Full-Differential Inputs (default)

Non-inverted and inverted signal are input to AK4522 via inverted op-amp. Since gain of 1st op-amp is 0.24, maximum amplitude of the input signal can be about 4 times larger than spec of AK4522.

[JP6, JP8]	: Op-amp	C25, C27, C30, C31	: None
[JP7]	: AINL-	C24, C26	: 1nF
[JP9]	: AINR-		

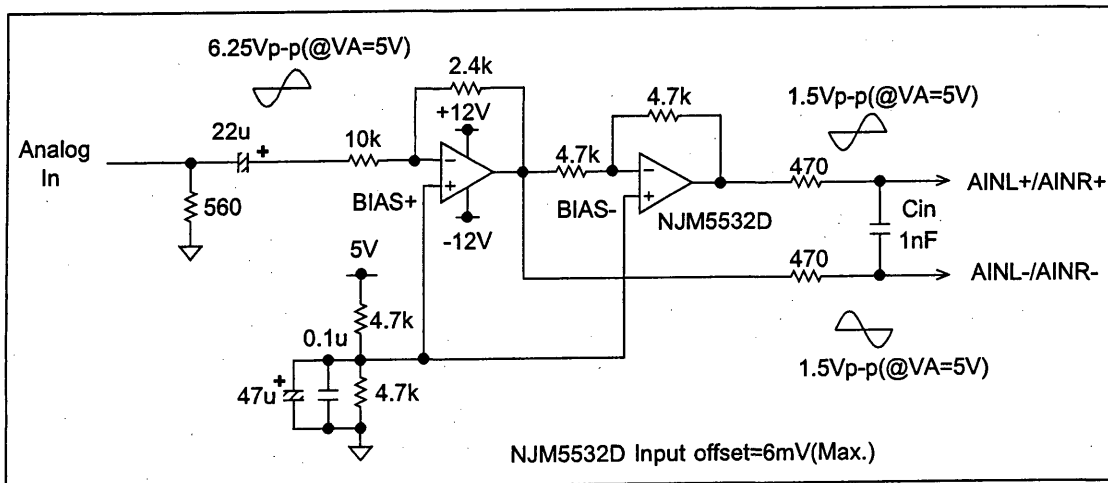


Figure 2. Full-differential Input Buffer Circuit Example

2. In case of Single-ended Input (bias voltage input)

In case of worrying Idle Tone Level, adds offset from external and moves it outside the audio band frequency. The difference between bias voltage of Op-amp and bias voltage( $V_A/2$ ) of internal device results in the offset. Two inverted op-amps are connected on the evaluation board, however, do not need 2nd op-amp. In this case, if inverted op-amp is input to AINL- or AINR- pin, can be corresponded with polarity. Since gain of 1st op-amp is 0.24, maximum amplitude of the input signal can be about 4 times larger than spec of AK4522.

[JP6, JP8]	: Op-amp	C25, C27, C30, C31	: None
[JP7]	: BIAS	C24, C26	: 1nF
[JP9]	: BIAS		

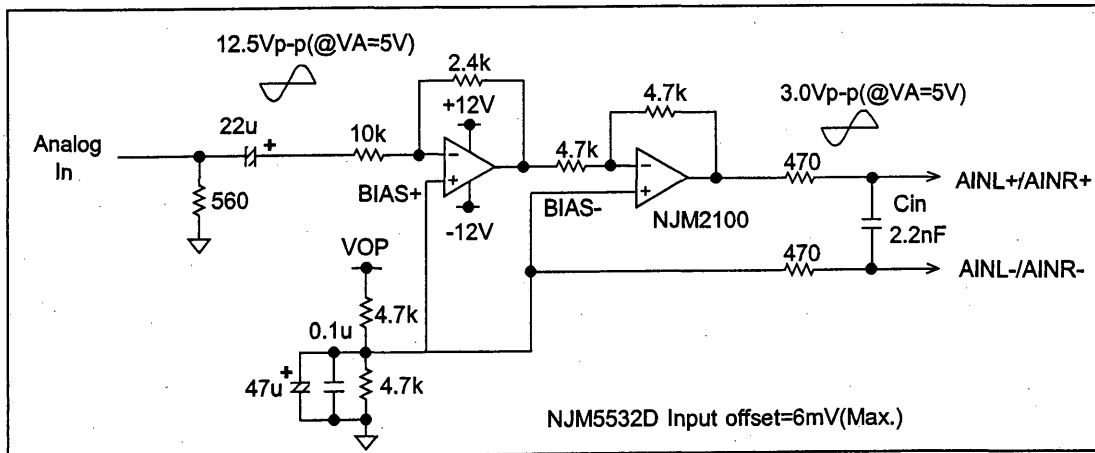


Figure 3. Single-ended Input Buffer Circuit Example (Bias voltage input)

**3. In case of Single-ended Input (no input bias)**

Analog signal is directly input from BNC connector and this case can reduce the part of input buffer circuit. In case of comparing Full-differential Input circuit(Figure 2.) or Single-ended Input circuit (Figure 3.) with no input buffer circuit shown in Figure 4., external mute should be taken enough time as "pop" noise is large at reset.

[JP6, JP8]	: LINE	C25, C27	: 0.1uF
[JP7]	: BIAS	C30, C31	: 4.7uF
[JP9]	: BIAS	C24, C26	: 2.2nF

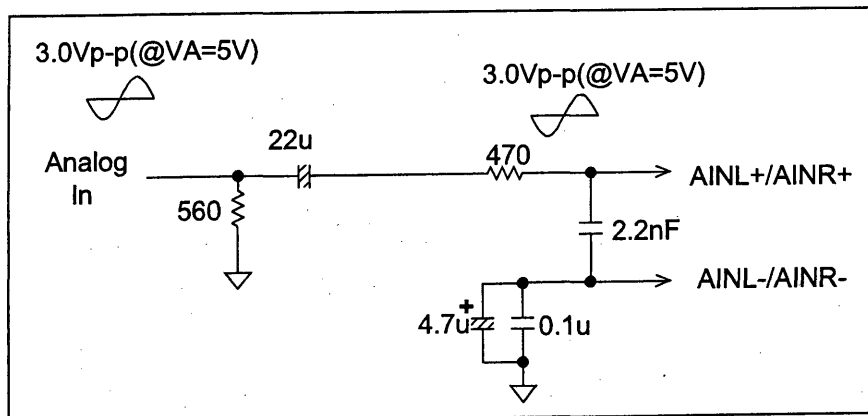


Figure 4. Single-ended Input Buffer Circuit Example (no input buffer)

**■ Analog Outputs**

The analog outputs are also single-ended and centered around the VCOM voltage. The input signal range scales with the supply voltage and nominally 0.6 x VREFH Vpp. The DAC input data format is 2's complement. The output voltage is a positive full scale for 7FFFFH(@20bit) and a negative full scale for 80000H(@20bit). The ideal output is VCOM voltage for 00000H(@20bit). The internal analog filters remove most of the noise generated by the delta-sigma modulator of DAC beyond the audio passband.

DC offsets on analog outputs are eliminated by AC coupling since DAC outputs have DC offsets of a few mV.

**1. Output via non-inverted op-amp**

Gain=6dB.

[JP10, JP11] : Op-amp

**2. Output directly**

[JP10, JP11] : LINE

## ■ Grounding and Power Supply Decoupling of AK4522

The AK4522 requires careful attention to power supply and grounding arrangements. VA pin and VD pin are usually supplied from analog supply in system. Alternatively if VA pin and VD pin are supplied separately, the power up sequence is not critical. AGND pin and DGND pin of the AK4522 should be connected to analog ground plane. System analog ground and digital ground should be connected together near to where the supplies are brought onto the printed circuit board. Decoupling capacitors should be as near to the AK4522 as possible, with the small value ceramic capacitor being the nearest.

## ■ Voltage Reference Inputs of AK4522

The differential Voltage between VREFH pin and AGND pin sets the analog input/output range. VREFH pin is normally connected to VA pin with a 0.1uF ceramic capacitor. VCOM pin is a signal ground of this chip. An electrolytic capacitor 10uF parallel with a 0.1uF ceramic capacitor attached to VCOM pin eliminates the effects of high frequency noise. No load current may be drawn from VCOM pin. All signals, especially clocks, should be kept away from the VREFH and VCOM pins in order to avoid unwanted coupling into the AK4522.

## ■ Operation sequence

### ① Set up the power supply lines.

[VA]	(red)	= 4.5 ~ 5.5V	( VA of AK4522 )
[3V]	(orange)	= 2.7 ~ 5.5V	( VD of AK4522 )
[5V]	(red)	= 3.5 ~ 5.5V	( Power supply to digital interface )
[+12V]	(orange)	= 12 ~ 15V	( Op-amp )
[-12V]	(blue)	= -12 ~ -15V	( Op-amp )
[AGND]	(black)	= 0V	( AGND, DGND of AK4522 and Ground of analog interface )
[DGND]	(black)	= 0V	( Ground of digital interface )

Each supply line should be distributed from the power supply unit.

#### 1. VD of AK4522 and Power supply to digital interface

In case of separated	[JP2]	: open
In case of common	[JP2]	: short

#### 2. VA and VD of AK4522

In case of separated	[JP3]	: 3V
In case of common	[JP3]	: VA

#### 3. Analog ground (includes AGND and DGND of AK4522) and digital ground

In case of separated	[JP1]	: open
In case of common	[JP1]	: short

### ② Set up the evaluation modes and jumper pins. (See p.7 ~ )

There are many jumper pins to cover many evaluation mode. Please take care of setting.

### ③ Set up the DIP-SW.

SW3 : Set up AK4522 (See p.9)  
 SW4 : Set up CS8402 (See p.10)  
 (Upper side is "ON" and lower side is "OFF".)

### ④ Power on.

The AK4522 should be reset once bringing  $\overline{\text{PD}}$  (SW1)"L" upon power-up.

■ Evaluation modes and jumper pins

Applicable Evaluation Mode

- ① Loopback mode (Default)
- ② Evaluation of D/A using ideal sine wave generated by ROM data.
- ③ Evaluation of D/A using A/D converted data
- ④ Evaluation of D/A using DIR(Optical Link)
- ⑤ Evaluation of A/D using Using D/A converted data
- ⑥ Evaluation of A/D DIT(Optical Link)
- ⑦ All interface signals including master clock are fed externally.

※① and ⑥ can be evaluated at the same time by the same set up.

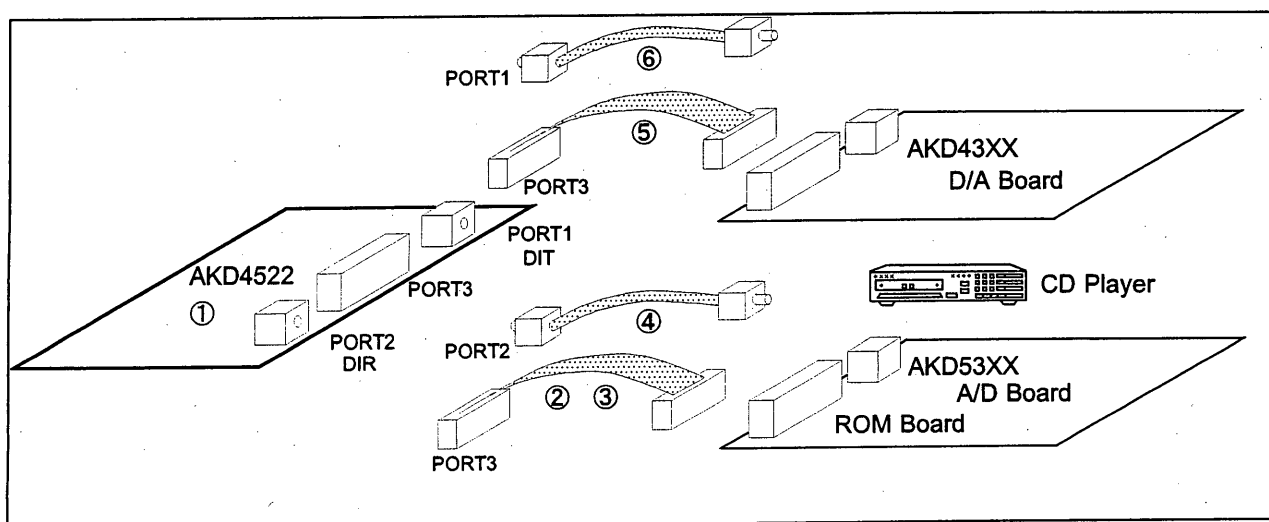


Figure 5. Wiring cables corresponded some evaluation modes

① Loopback mode (Default)

Nothing should be connected to PORT2, PORT3.

[JP13] (DIR) : GND	[JP12] (LRCK) : ADC
[JP17] (MCKI) : XTL	[JP15] (SCLK) : ADC
[JP20] (XTE) : open	[JP16] (SDTI) : ADC

② Evaluation of D/A using A/D converted data from ideal sine wave generated by ROM data

Digital signals generated by AKD43XX are used. PORT3 is used for the interface with AKD43XX. Master clock is sent from AKD4522 to AKD43XX and SCLK, LRCK, SDATA are sent from AKD43XX to AKD4522. Nothing should be connected to PORT2.

[JP13] (DIR) : GND	[JP12] (LRCK) : open
[JP17] (MCKI) : XTL	[JP15] (SCLK) : open
[JP20] (XTE) : open	[JP16] (SDTI) : open

③ Evaluation of D/A using A/D converted data

It is possible to make evaluation in the form of analog inputs and analog outputs by interfacing with various AKM's A/D evaluation boards (AKD5391/2, AKD5330 and AKD5352/1) with PORT3. Master clock, SCLK, LRCK and SDATA are sent from A/D board to AKD4522. Nothing should be connected to PORT2.

[JP13] (DIR) : GND	[JP12] (LRCK) : open
[JP17] (MCKI) : open	[JP15] (SCLK) : open
[JP20] (XTE) : short	[JP16] (SDTI) : open

## ④ Evaluation of D/A using DIR (Optical Link)

PORT2 is used. DIR generates MCLK, SCLK LRCK and SDATA from the received data through optical connector(TORX174). Used for the evaluation using CD test disk. Nothing should be connected to PORT3. CS8412(DIR) needs the operating voltage of  $VD+ \geq 3.2V$ .

[JP13] (DIR)	: VD	[JP12] (LRCK)	: DIR
[JP17] (MCKI)	: DIR	[JP15] (SCLK)	: DIR
[JP20] (XTE)	: short	[JP16] (SDTI)	: DIR

## ⑤ Evaluation of A/D using D/A converted data

It is possible to make evaluation in the form of analog inputs and analog outputs by interfacing with various AKM's D/A evaluation boards (AKD4319, AKD4320, AKD4321 and AKD4324) with PORT3. Nothing should be connected to PORT2.

[JP13] (DIR)	: GND	[JP12] (LRCK)	: ADC
[JP17] (MCKI)	: XTL	[JP15] (SCLK)	: ADC
[JP20] (XTE)	: open	[JP16] (SDTI)	: ADC

## ⑥ Evaluation of A/D using DIT (Optical Link)

PORT1 is used. DIT generates SDATA from received data and which is output through optical connector (TOTX174). It is possible to connect AKM's evaluation boards (AKD4319, AKD4320, AKD4321 and AKD4324), digital-amplifier and etc. Nothing should be connected to PORT2, PORT3. This set-up is same as that of ④. CS8402(DIT) needs the operating voltage of  $VD+ \geq 3.2V$ . SW5 should be kept "H" during normal operation.

[JP13] (DIR)	: GND	[JP12] (LRCK)	: ADC
[JP17] (MCKI)	: XTL	[JP15] (SCLK)	: ADC
[JP20] (XTE)	: open	[JP16] (SDTI)	: ADC

## ⑦ All interfacing signals including master clock are fed externally.

Under the following set-up, all external signals needed for the AK4522 to operate could be fed through PORT3.

[JP13] (DIR)	: GND	[JP12] (LRCK)	: open
[JP17] (MCKI)	: open	[JP15] (SCLK)	: open
[JP20] (XTE)	: short	[JP16] (SDTI)	: open

## ■ Master clock set-up

## ① 256fs

[JP5] (CMODE) : L                      [JP18] (FS) : 256fs

## ② 512fs

[JP5] (CMODE) : open                      [JP18] (FS) : 512fs

## ■ SCLK set-up

SCLK can be selected 64fs or 32fs by JP19(ADC\_SCLK).

## ■ Other jumpers set-up

[JP4] : short (always)  
[JP14] : open (always)



■ The function of the toggle SW.

- [SW1] : Resets the AK4522. Keep "H" during normal operation.
  - [SW2] : Initiates soft mute cycle of AK4522. If this switch goes "H", soft mute cycle is initiated. Keep "L" during normal operation.
  - [SW5] : Resets the CS8402. "L" resets the internal counter of CS8402, then Bi-phase signal is not output. Keep "H" during normal operation.
- (Upper-side is "H" and lower-side is "L".)

■ The indication content for LED.

- [D3] : Monitors VEF pin of the CS8412. LED turns on when some error has occurred to CS8412.
- [D2] : Indicates whether the input data of CS8412 is pre-emphasized or not. LED turns on when the data is pre-emphasized.

■ DIP switch set-up

- [SW3] : This switch sets up the operation mode of the AK4522. Confirm the set-up of the DIP-SW before evaluation starts. Refer to AK4522 data-sheet about detail information. ON means "H" and OFF, "L". Since formats of CS8402, CS8412 are fixed IIS(I2S), set DIF1,0 ON if use them.

Mode	DIF1	DIF0	SDTO(ADC)	SDTI(DAC)	L/R	SCLK
0	OFF	OFF	20bit, MSB justified	16bit, LSB justified	H/L	64fs, 32fs
1	OFF	ON	20bit, MSB justified	20bit, LSB justified	H/L	64fs
2	ON	OFF	20bit, MSB justified	20bit, MSB justified	H/L	64fs
3	ON	ON	IIS(I2S)	IIS(I2S)	L/H	64fs, 32fs (default)

Table 1. Serial Data Interface Format Mode

DEM1	DEM0	Mode
OFF	OFF	44.1kHz
OFF	ON	OFF (default)
ON	OFF	48kHz
ON	ON	32kHz

Table 2. De-emphasis filter control

[SW4] : This switch sets the C-bit of CS8402. (Default is the consumer mode)  
 This set-up does not affect the evaluation of the AK4522. In case of using DIT, need to set it up correctly. For more detailed configurations, please refer to the CS8402 data-sheet.

Switch	OFF=0,ON=1	Contents
1	$\overline{\text{PRO}}=0$	Professional mode, C0=1
2,3	$\overline{\text{C6,C7}}$	C6,C7 - Sampling frequency
	1 1	00 - Not indicated. Receiver default to 48kHz.
	1 0	01 - 48kHz
	0 1	10 - 44.1kHz
	0 0	11 - 32kHz
4	$\overline{\text{C9}}$	C8,C9,C10,C11 - 1bit of channel mode
	1	0000 - Mode not indicated. Receiver default to 2-channel mode.
	0	0100 - Stereophonic.
5	$\overline{\text{C1}}$	C1 - Audio mode
	1	0 - Normal audio
	0	1 - Non-audio
6	TRNPT	Transparent mode * CS8402 is CRE
	0	Normal mode
	1	Transparent mode
8,7	EM1,EM0	C2,C3,C4 - Encoded audio signal emphasis
	1 1	000 - Emphasis not indicated. Receiver defaults to no emphasis with manual override enabled.
	1 0	100 - None
	0 1	110 - 50/15usec
	0 0	111 - CCITT J.17

Table 3. DIP switch set-up of CS8402 (Professional mode)

Switch	OFF=0,ON=1	Contents
1	$\overline{\text{PRO}}=1$	Consumer mode, C0=0 (Default)
2	$\overline{\text{C2}}$	C2 - Copy
	1	0 - Copy inhibited
Default	0	1 - Copy permitted
3	$\overline{\text{C3}}$	C3,C4,C5 - Pre-emphasis
	1	000 - None
Default	0	100 - 50/15usec
4	$\overline{\text{C15}}$	C15 - Generation Status
	1	0 - See the standard
Default	0	1 - See the standard
6,5	FC1,FC0	C24,C25,C26,C27- Sampling frequency
	0 0	0000 - 44.1kHz
	0 1	0100 - 48kHz
Default	1 0	1100 - 32kHz
	1 1	0000 - 44.1kHz, CD mode
8,7	$\overline{\text{C8,C9}}$	C8-C14 - Category code
	1 1	0000000 - General
Default	1 0	0100000 - PCM encoder/decoder
	0 1	1000000 - CD
	0 0	1100000 - DAT

Table 4. DIP switch set-up of CS8402 (Consumer mode)

**AK4522 Measurement Results**

[Measurement Condition]

- Measurement unit : ROHDE & SCHWARZ, UPD04
- MCLK : 256fs
- BCLK : 64fs
- Bit : 20bit
- fs : 44.1kHz
- Power Supply : VA=5V, VD=5V/3V
- Interface : DIT/DIR
- Temperature : Room

1. A/D Output (Full-differential inputs, refer to Figure 2.)

Parameter	Input signal	Measurement Filter	VD = 5V	VD = 3V
S/(N+D)	1kHz, -0.5dB	20kLPF	92.2 dB	92.5 dB
Dynamic Range	1kHz, -20dB	20kLPF	96.7 dB	96.9 dB
		20kLPF, A-weight	100.5 dB	100.7 dB
	1kHz, -60dB	20kLPF	96.7 dB	96.9 dB
		20kLPF, A-weight	100.0 dB	100.2 dB
S/N	1kHz, 0dB/GND IN	20kLPF	97.0 dB	97.3 dB
		20kLPF, A-weight	101.0 dB	101.1 dB

4. D/A Output

Parameter	Input signal	Measurement Filter	VD = 5V	VD = 3V
S/(N+D)	1kHz, 0dB	20kLPF	90.6 dB	90.7 dB
Dynamic Range	1kHz, -20dB	20kLPF	97.0 dB	97.1 dB
		20kLPF, A-weight	100.4 dB	100.5 dB
	1kHz, -60dB	20kLPF	97.1 dB	97.2 dB
		20kLPF, A-weight	100.6 dB	100.5 dB
S/N	1kHz, 0dB / "0" data IN	20kLPF	97.2 dB	97.3 dB
		20kLPF, A-weight	100.6 dB	100.6 dB

[Measurement Condition]

- Measurement unit : Audio Precision System two
- MCLK : 256fs
- BCLK : 64fs
- Bit : 20bit
- fs : 44.1kHz
- Power Supply : VA=5V, VD=5V/3V
- Interface : DIT/DIR
- Temperature : Room

1. A/D Output (Full-differential inputs, refer to Figure 2.)

Parameter	Input signal	Measurement Filter	VD = 5V	VD = 3V
S/(N+D)	1kHz, -0.5dB	20kLPF	94.7 dB	94.9 dB
Dynamic Range	1kHz, -20dB	20kLPF	97.0 dB	97.1 dB
		20kLPF, A-weight	99.8 dB	100.0 dB
	1kHz, -60dB	20kLPF	97.0 dB	97.2 dB
		20kLPF, A-weight	99.7 dB	100.0 dB
S/N	1kHz, 0dB/GND IN	20kLPF	97.1 dB	97.2 dB
		20kLPF, A-weight	100.1 dB	100.1 dB

2. A/D Output (Single-ended inputs with external bias, refer to Figure 3.)

Parameter	Input signal	Measurement Filter	VD = 5V	VD = 3V
S/(N+D)	1kHz, -0.5dB	20kLPF	80.8 dB	82.2 dB
Dynamic Range	1kHz, -20dB	20kLPF	97.0 dB	97.2 dB
		20kLPF, A-weight	99.8 dB	100.0 dB
	1kHz, -60dB	20kLPF	97.1 dB	97.4 dB
		20kLPF, A-weight	99.7 dB	100.0 dB
S/N	1kHz, 0dB/GND IN	20kLPF	97.3 dB	97.5 dB
		20kLPF, A-weight	100.1 dB	100.5 dB

3. A/D Output (Single-ended inputs without external bias, refer to Figure 4.)

Parameter	Input signal	Measurement Filter	VD = 5V	VD = 3V
S/(N+D)	1kHz, -0.5dB	20kLPF	79.7 dB	81.2 dB
Dynamic Range	1kHz, -20dB	20kLPF	97.1 dB	97.3 dB
		20kLPF, A-weight	99.9 dB	100.2 dB
	1kHz, -60dB	20kLPF	97.2 dB	97.5 dB
		20kLPF, A-weight	100.2 dB	100.4 dB
S/N	1kHz, 0dB/GND IN	20kLPF	97.2 dB	97.6 dB
		20kLPF, A-weight	100.3 dB	100.6 dB

4. D/A Output

Parameter	Input signal	Measurement Filter	VD = 5V	VD = 3V
S/(N+D)	1kHz, 0dB	20kLPF	91.4 dB	91.5 dB
Dynamic Range	1kHz, -20dB	20kLPF	97.0 dB	97.0 dB
		A-weight	99.6 dB	99.6 dB
	1kHz, -60dB	20kLPF	97.0 dB	97.0 dB
		A-weight	99.5 dB	99.6 dB
S/N	1kHz, 0dB / "0" data IN	20kLPF	97.0 dB	97.1 dB
		A-weight	99.6 dB	99.7 dB

5. A/D→D/A Loopback Output (Full-differential inputs, refer to Figure 2.)

Parameter	Input signal	Measurement Filter	VD = 5V	VD = 3V
S/(N+D)	1kHz, 0dB	20kLPF	89.3 dB	89.5 dB
Dynamic Range	1kHz, -20dB	20kLPF	93.9 dB	94.0 dB
		A-weight	96.6 dB	96.8 dB
	1kHz, -60dB	20kLPF	93.9 dB	94.0 dB
		A-weight	96.5 dB	96.7 dB
S/N	1kHz, 0dB/GND IN	20kLPF	93.9 dB	93.9 dB
		A-weight	96.7 dB	96.7 dB

6. A/D→D/A Loopback Output (Single-ended inputs with external bias, refer to Figure 3.)

Parameter	Input signal	Measurement Filter	VD = 5V	VD = 3V
S/(N+D)	1kHz, 0dB	20kLPF	79.1 dB	80.3 dB
Dynamic Range	1kHz, -20dB	20kLPF	94.0 dB	94.0 dB
		A-weight	96.6 dB	96.8 dB
	1kHz, -60dB	20kLPF	93.9 dB	94.0 dB
		A-weight	96.4 dB	96.7 dB
S/N	1kHz, 0dB/GND IN	20kLPF	94.0 dB	94.1 dB
		A-weight	96.8 dB	96.9 dB

7. A/D→D/A Loopback Output (Single-ended inputs without external bias, refer to Figure 4.)

Parameter	Input signal	Measurement Filter	VD = 5V	VD = 3V
S/(N+D)	1kHz, 0dB	20kLPF	78.2 dB	79.4 dB
Dynamic Range	1kHz, -20dB	20kLPF	94.0 dB	94.1 dB
		A-weight	96.6 dB	96.8 dB
	1kHz, -60dB	20kLPF	94.0 dB	94.1 dB
		A-weight	96.9 dB	97.0 dB
S/N	1kHz, 0dB/GND IN	20kLPF	93.9 dB	94.0 dB
		A-weight	96.8 dB	97.0 dB

**AK4522 ADC part****Conditions :**

AVDD = DVDD = 5.0V

fs = 44.1kHz, MCLK = 256fs, BICK = 64fs,

Measurement unit = ROHDE &amp; SCHWARZ UPD04

Interface = DIT

**Contents :**

Figure 34 : THD+N vs. Input level	..... p.15
Figure 35 : THD+N vs. Input frequency	
Figure 36 : Linearity	..... p.16
Figure 37 : Frequency response	
Figure 38 : Cross talk	..... p.17
Figure 39 : FFT (Full-differential input : 1kHz,-0.5dBFS)	
Figure 40 : FFT (Single-ended input (bias input) : 1kHz,-0.5dBFS)	..... p.18
Figure 41 : FFT (Single-ended input (no bias) : 1kHz,-0.5dBFS)	
Figure 42 : FFT (Full-differential input : 1kHz,-60dBFS)	..... p.19
Figure 43 : FFT (noise floor)	

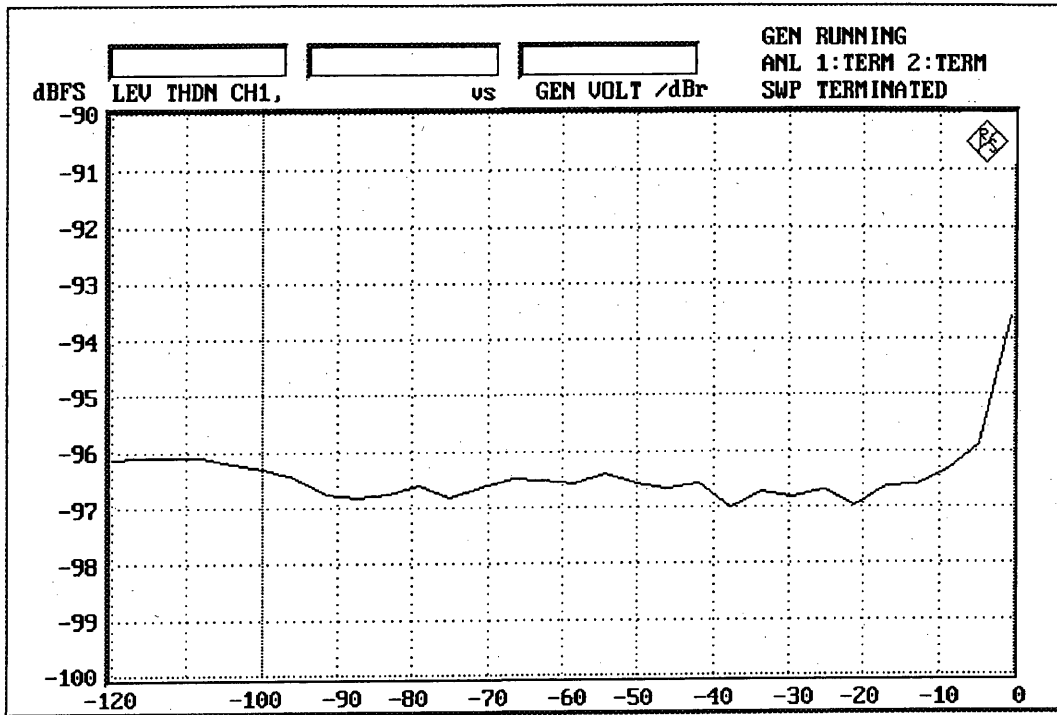


Figure 34 : THD+N vs. Input level (fin : 1kHz (Full-differential input))

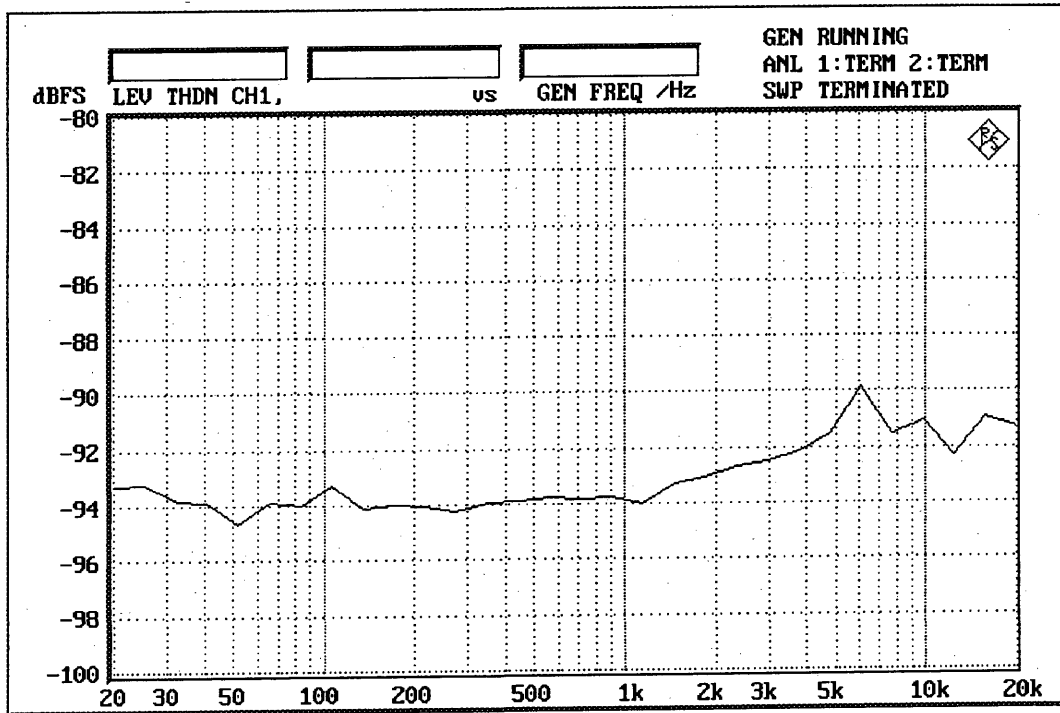


Figure 35 : THD+N vs. Input frequency (input level : -0.5dBFS (Full-differential input))

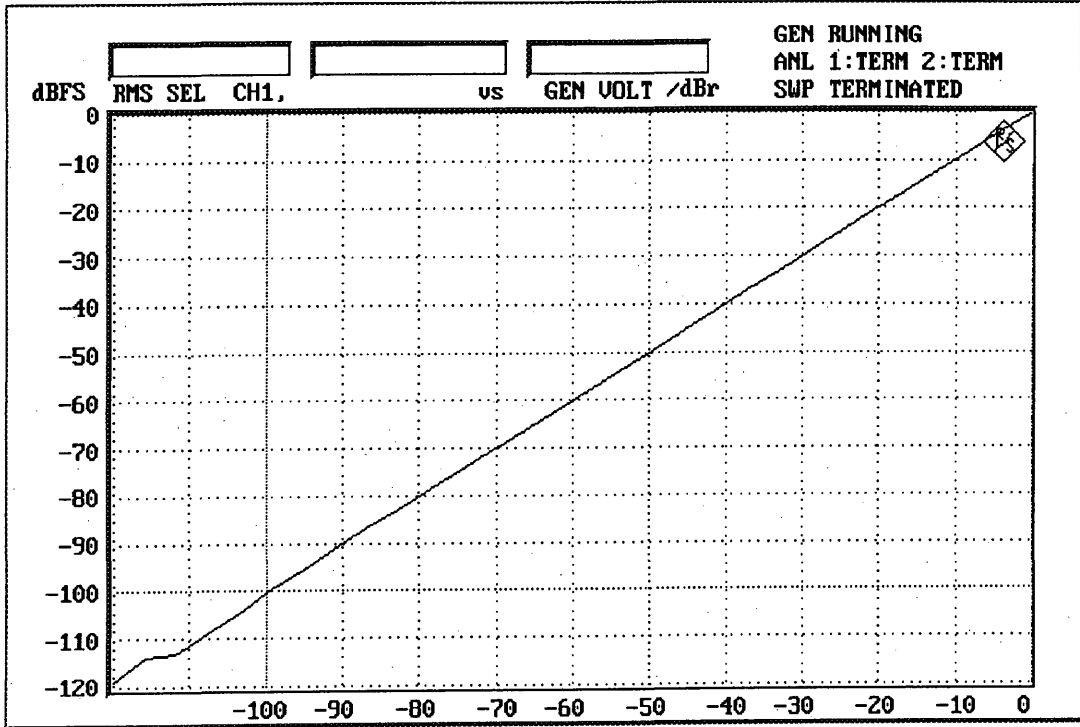


Figure 36 : Linearity (fin : 1kHz)

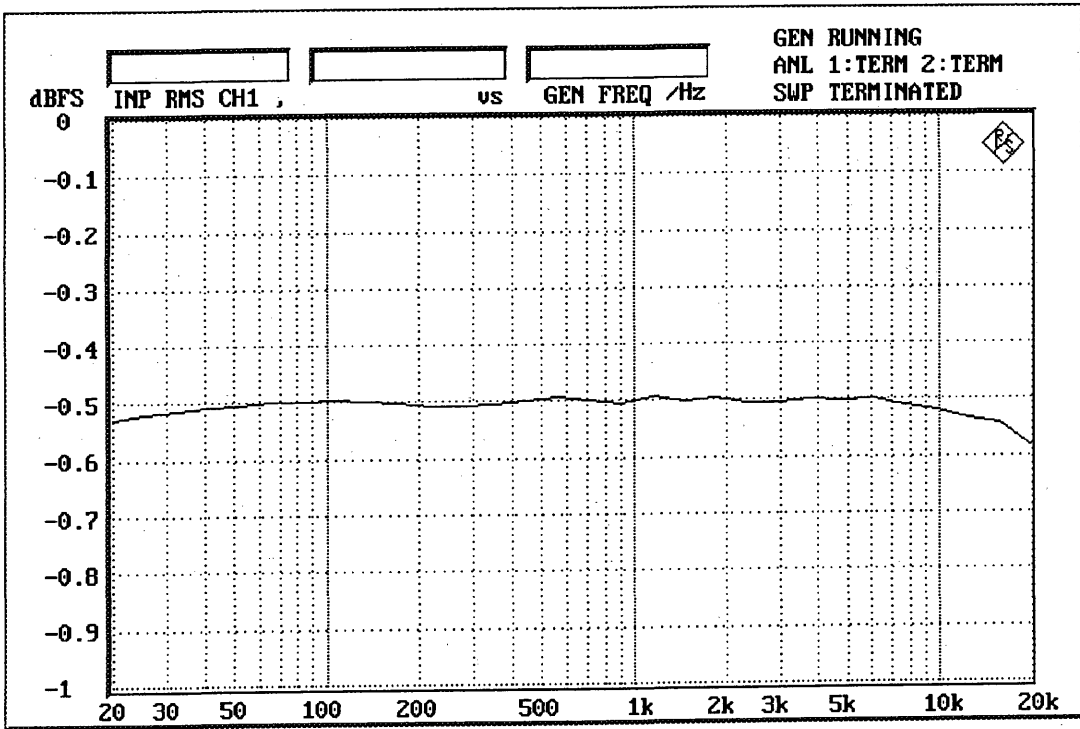


Figure 37 : Frequency response (input level : -0.5dBFS)



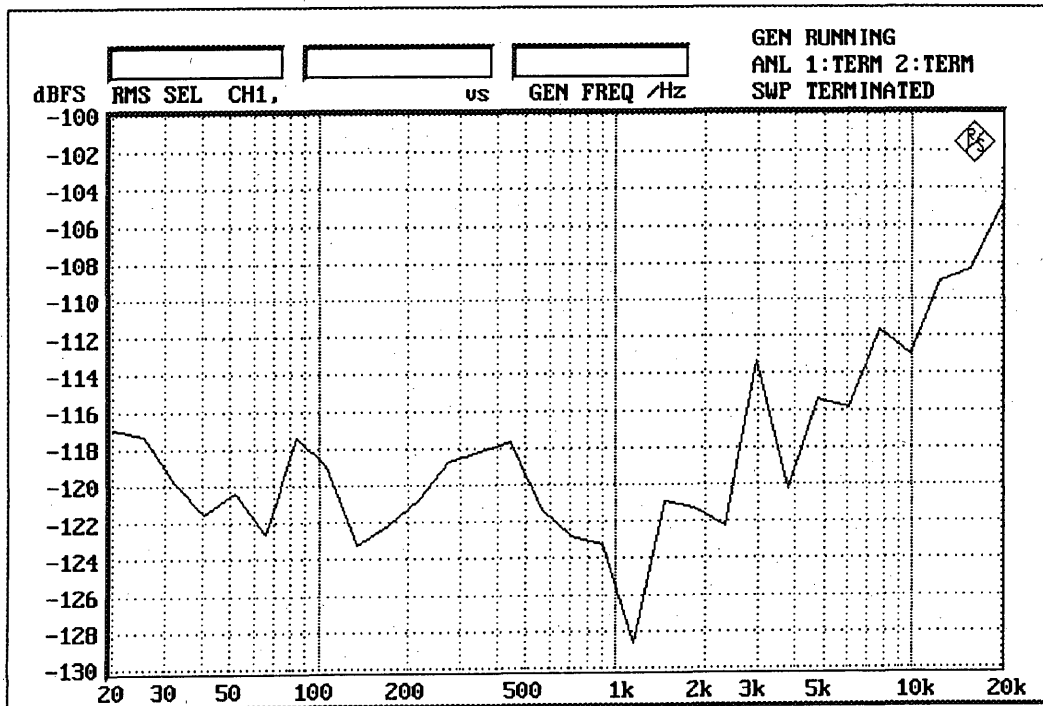


Figure 38 : Cross talk

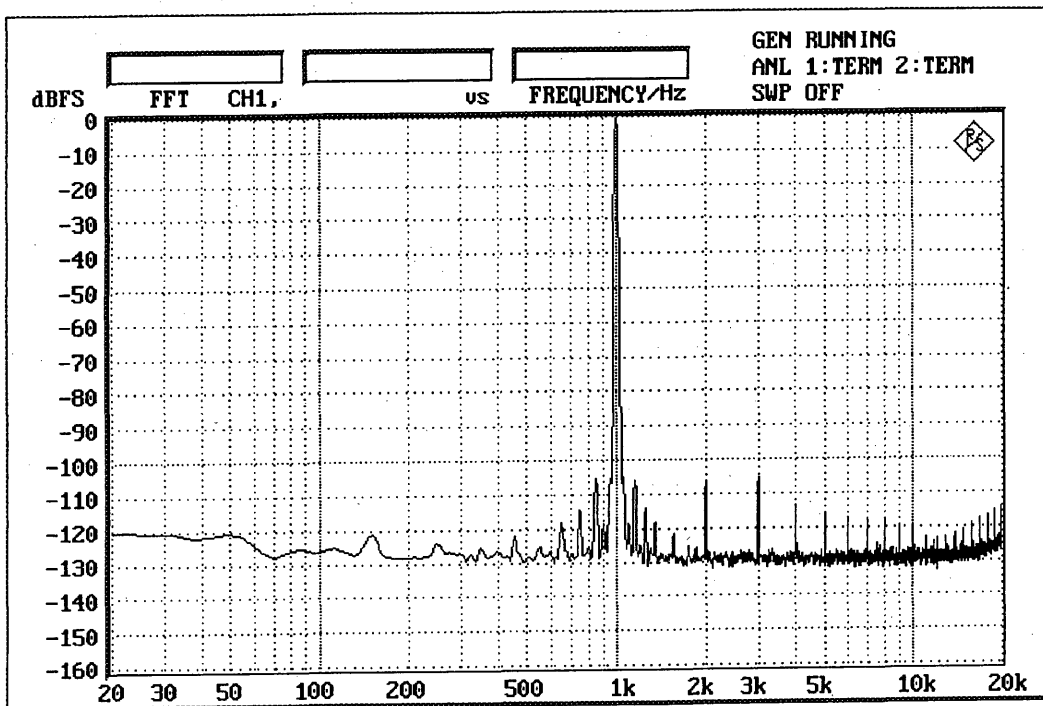


Figure 39 : FFT (Full-differential input : 1kHz, -0.5dBFS ;  
FFT points : 8192, averaging : 10)

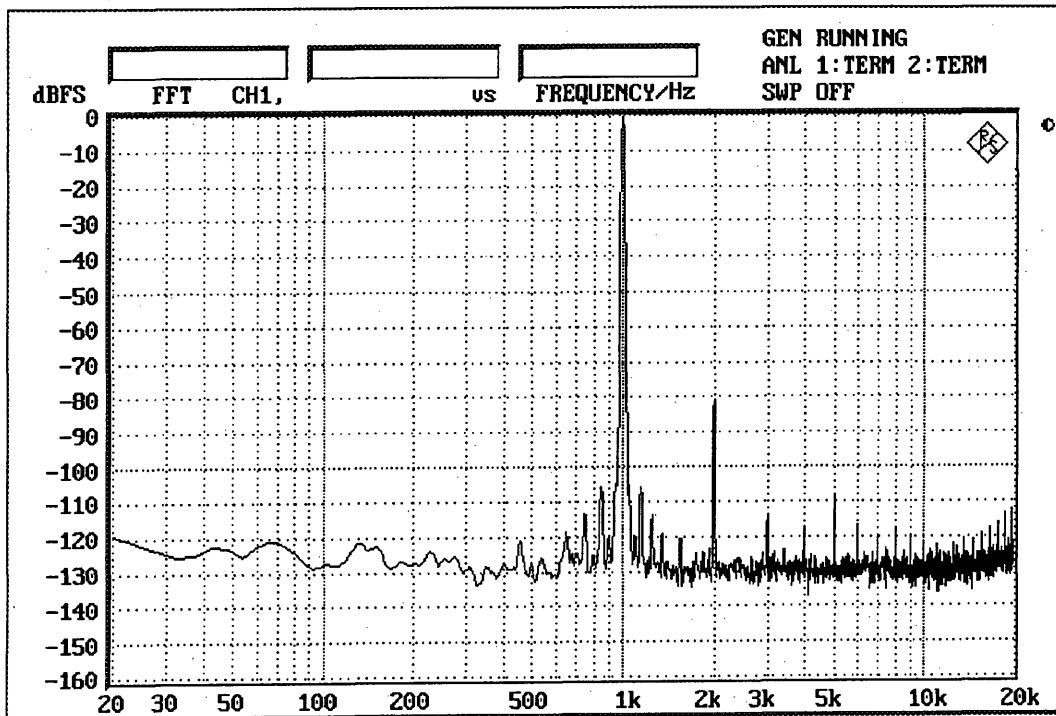


Figure 40 : FFT (Single-ended input(bias input) : 1kHz, -0.5dBFS ;

FFT points : 8192, averaging : 10)

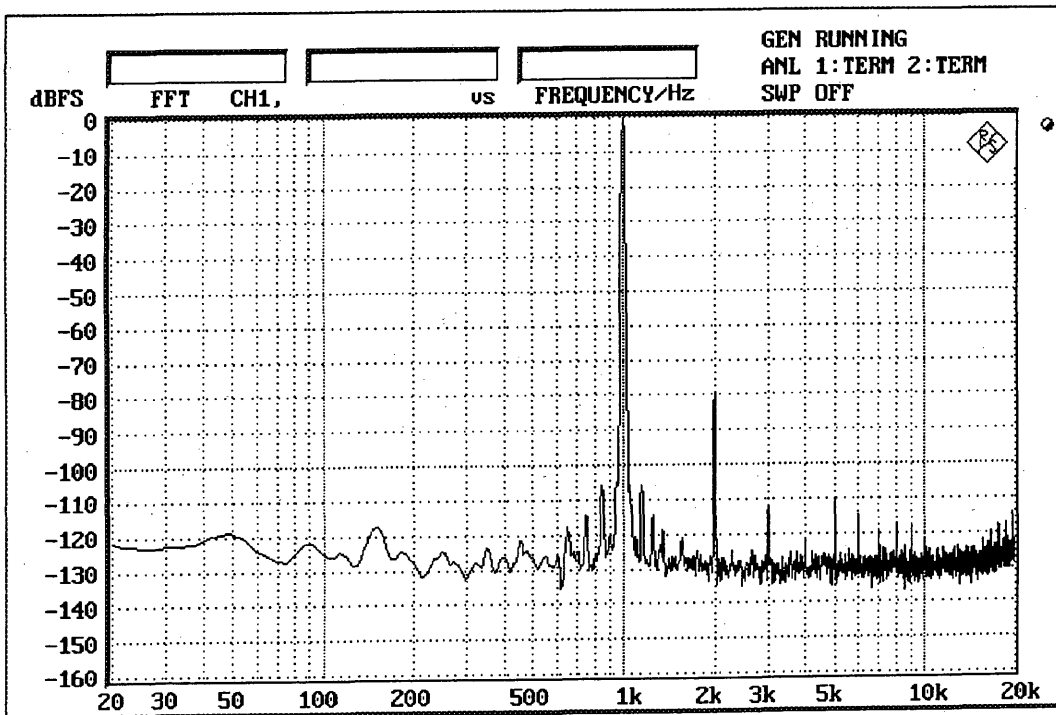


Figure 41 : FFT (Single-ended input (no bias) : 1kHz, -0.5dBFS ;

FFT points : 8192, averaging : 10)

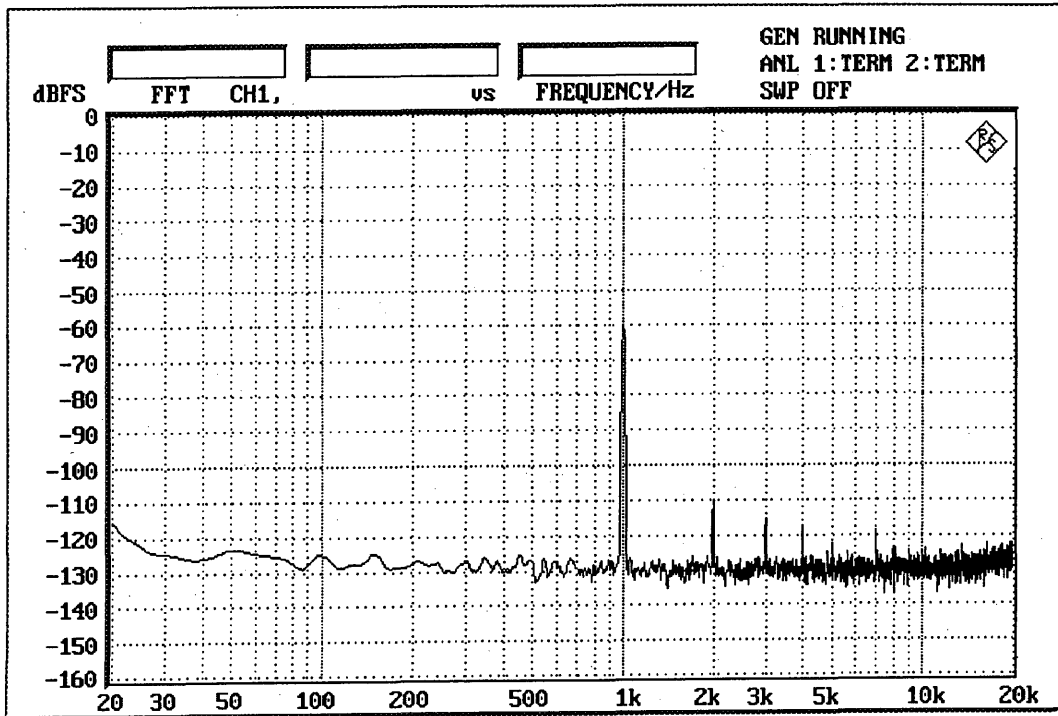


Figure 42 : FFT (Full-differential input : 1kHz, -60dBFS ;

FFT points : 8192, averaging : 10)

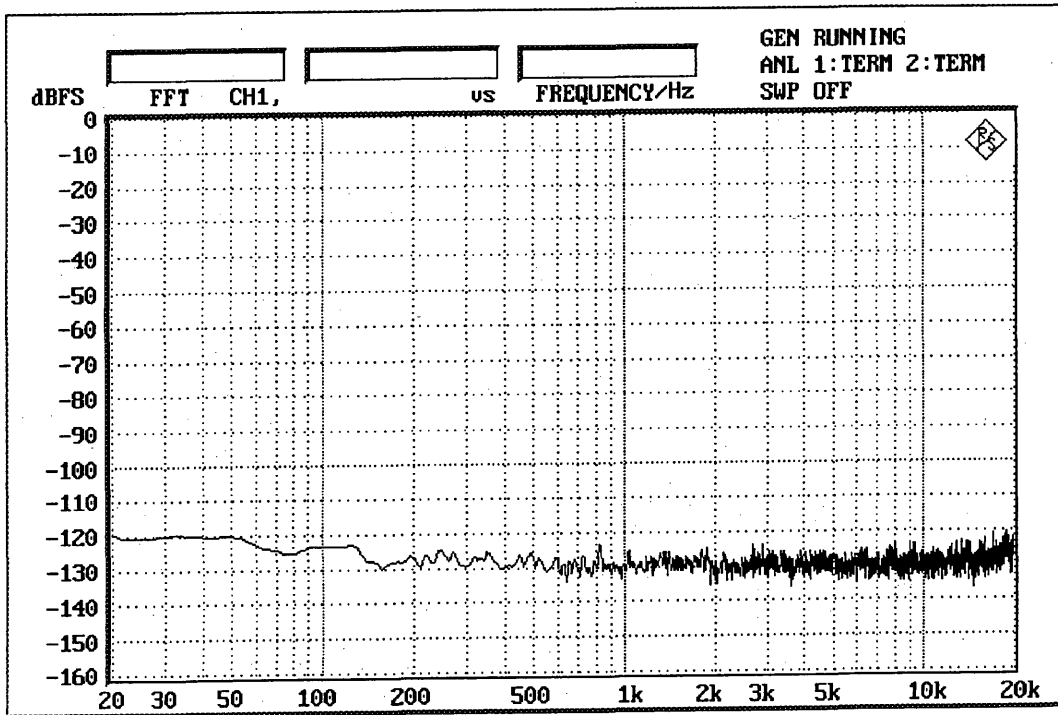


Figure 43 : FFT (noise floor ;

FFT points : 8192, averaging : 10)

**AK4522 DAC part**

**Conditions :**

AVDD = DVDD = 5.0V

fs = 44.1kHz, MCLK = 256fs, BICK = 64fs,

Measurement unit = ROHDE & SCHWARZ UPD04

Interface = DIR

**Contents :**

Figure 44 : THD+N vs. Input level	.....	p.21
Figure 45 : THD+N vs. Input frequency		
Figure 46 : Linearity	.....	p.22
Figure 47 : Frequency response		
Figure 48 : Cross talk	.....	p.23
Figure 49 : FFT (input signal : 1kHz,0dBFS)		
Figure 50 : FFT (input signal : 1kHz,-60dBFS)	.....	p.24
Figure 51 : FFT (noise floor)		
Figure 52 : FFT (out-of-band noise ~300kHz)	.....	p.25

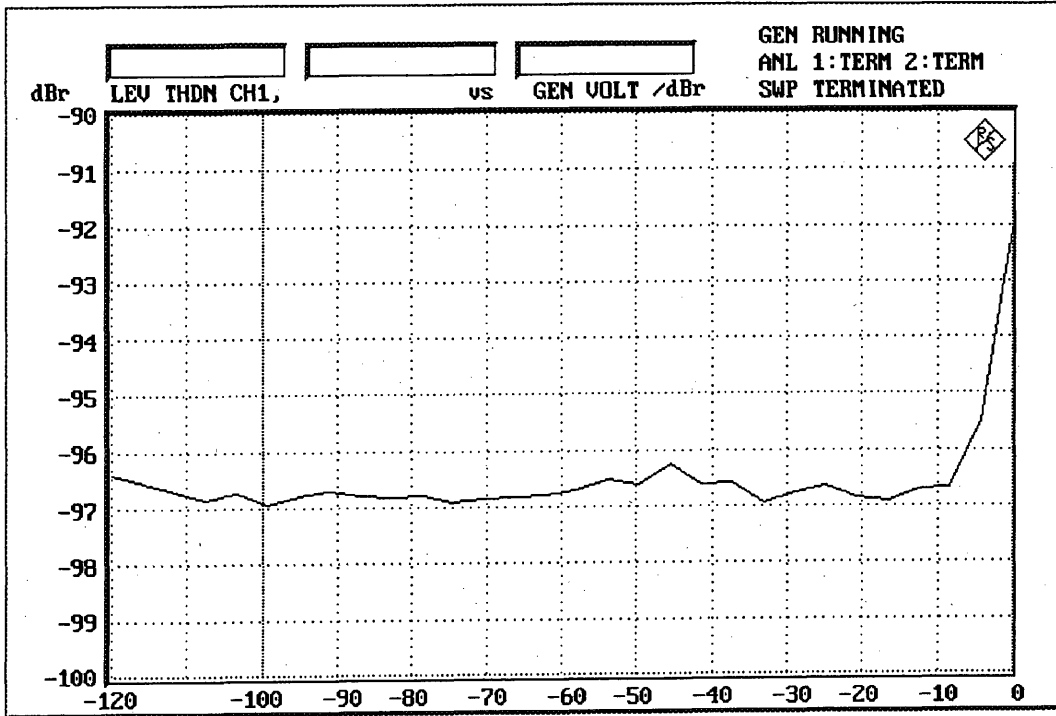


Figure 44 : THD+N vs. Input level (fin : 1kHz)

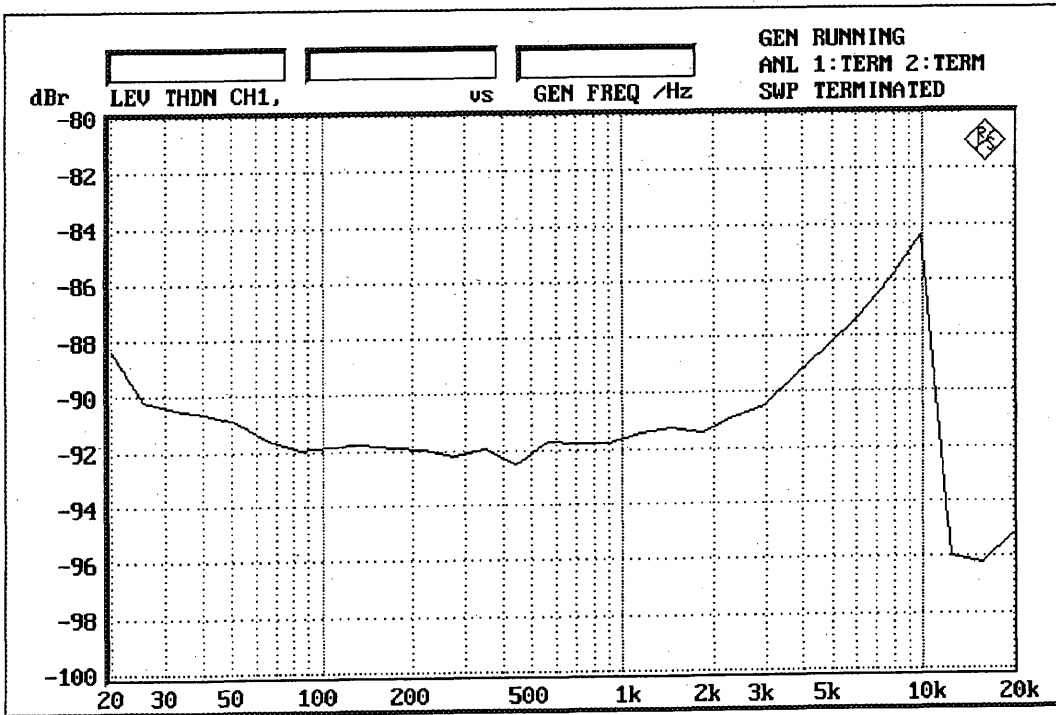


Figure 45 : THD+N vs. Input frequency (input level : 0dBFS)

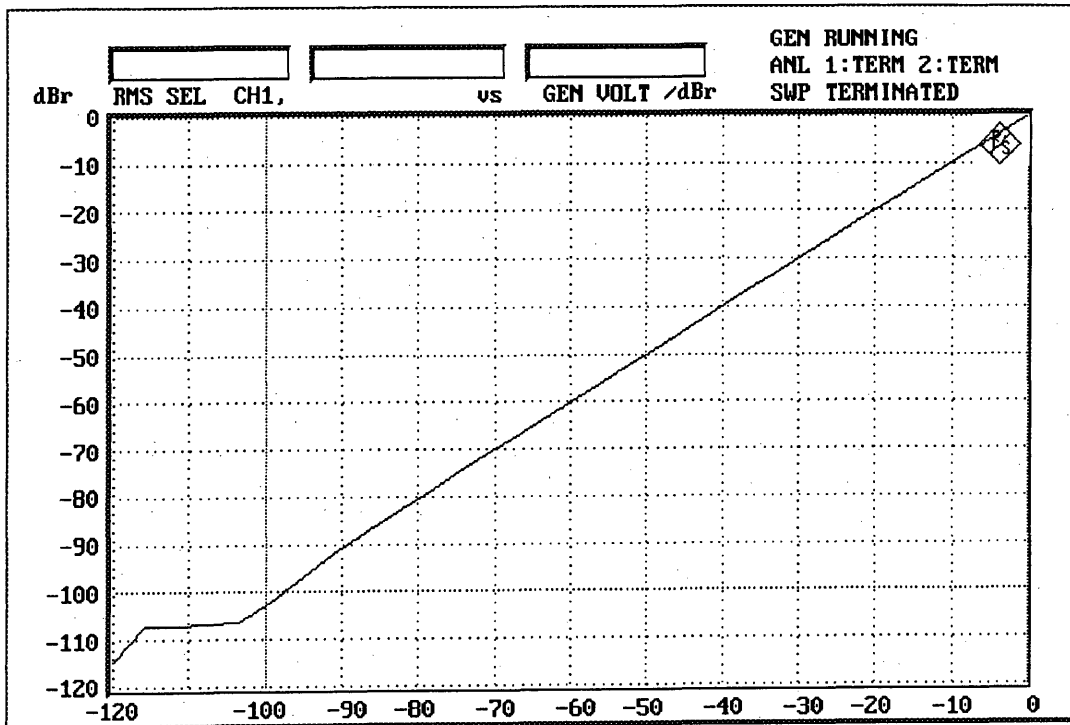


Figure 46 : Linearity (fin : 1kHz)

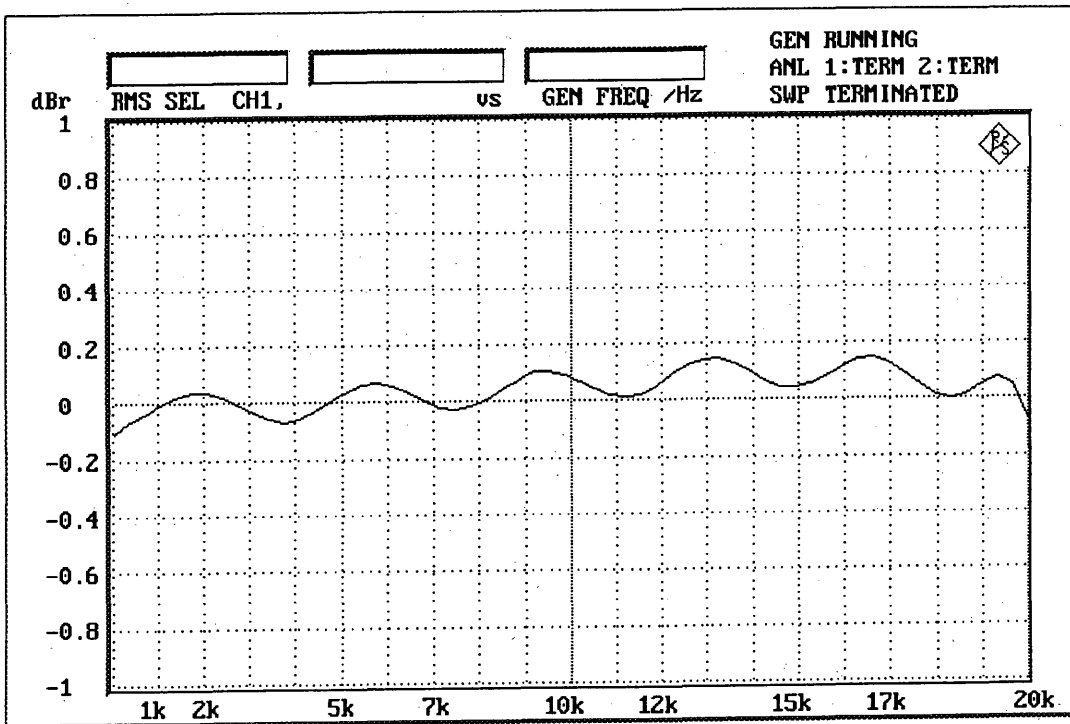


Figure 47 : Frequency response (input level : 0dBFS)

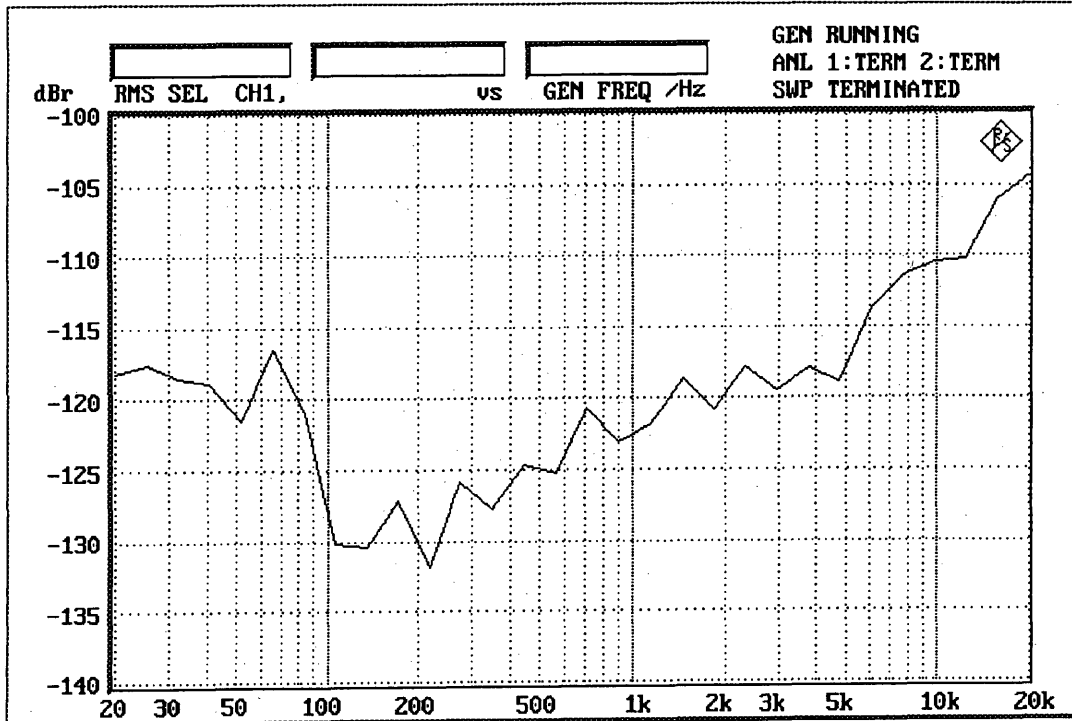


Figure 48 : Cross talk

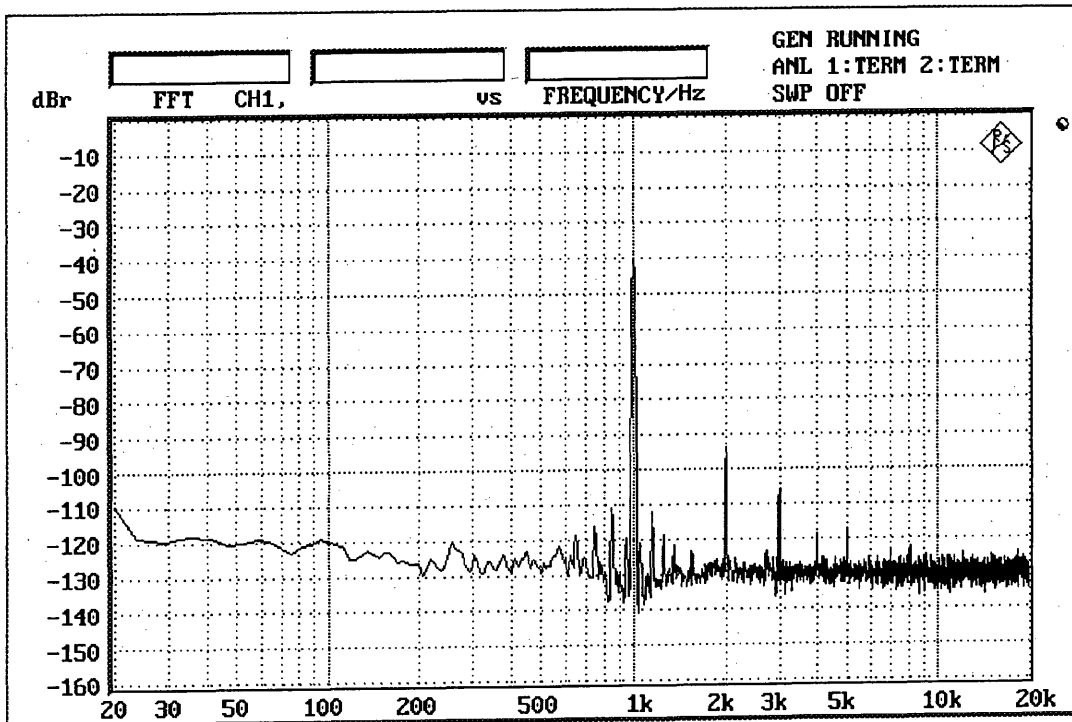


Figure 49 : FFT (input signal : 1kHz, 0dBFS ;

FFT points : 8192, averaging : 10, 30dBFS Notch filter : on)

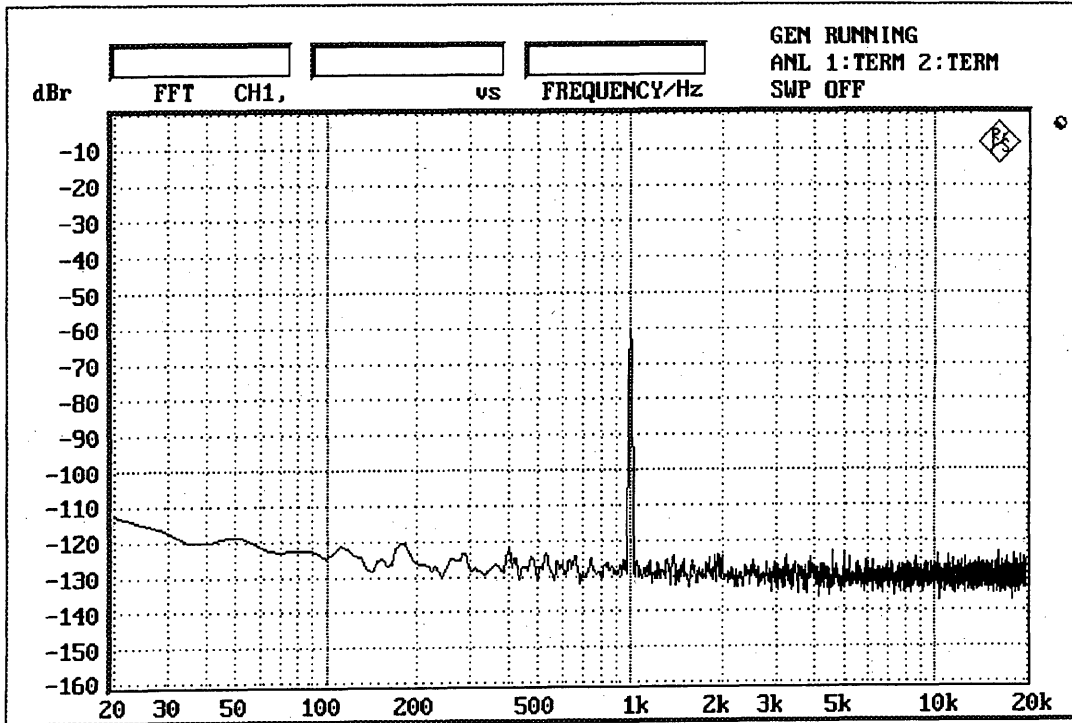


Figure 50 : FFT (input signal : 1kHz, -60dBFS ;  
FFT points : 8192, averaging : 10, 30dBFS Notch filter : off)

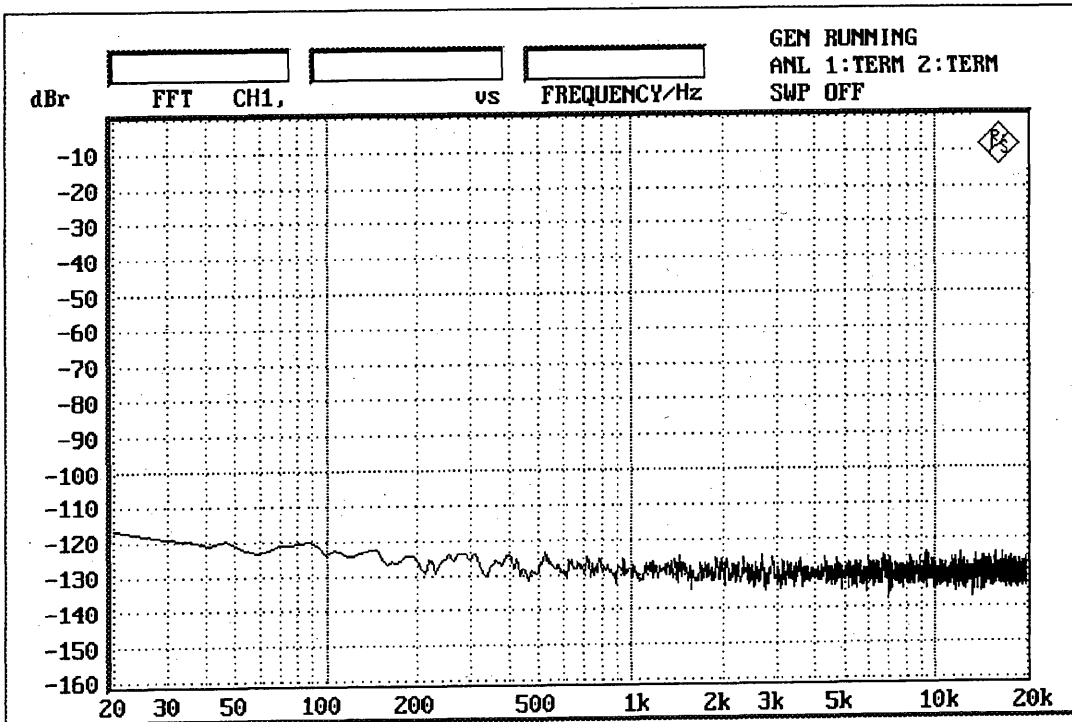


Figure 51 : FFT (noise floor ;  
FFT points : 8192, averaging : 10, 30dBFS Notch filter : off)



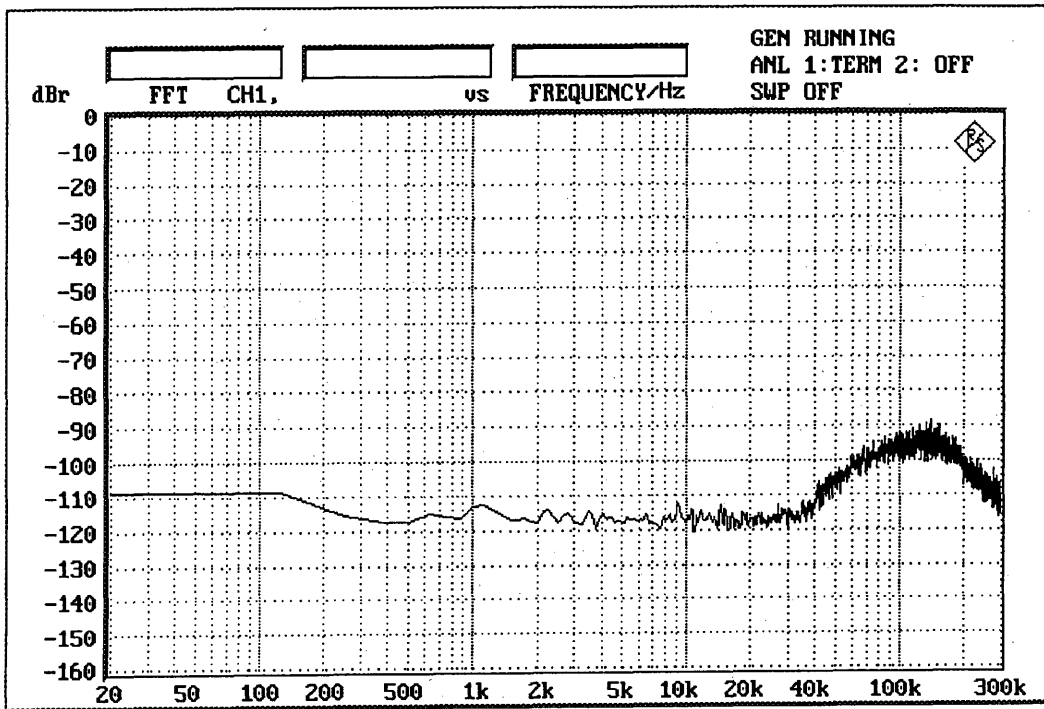
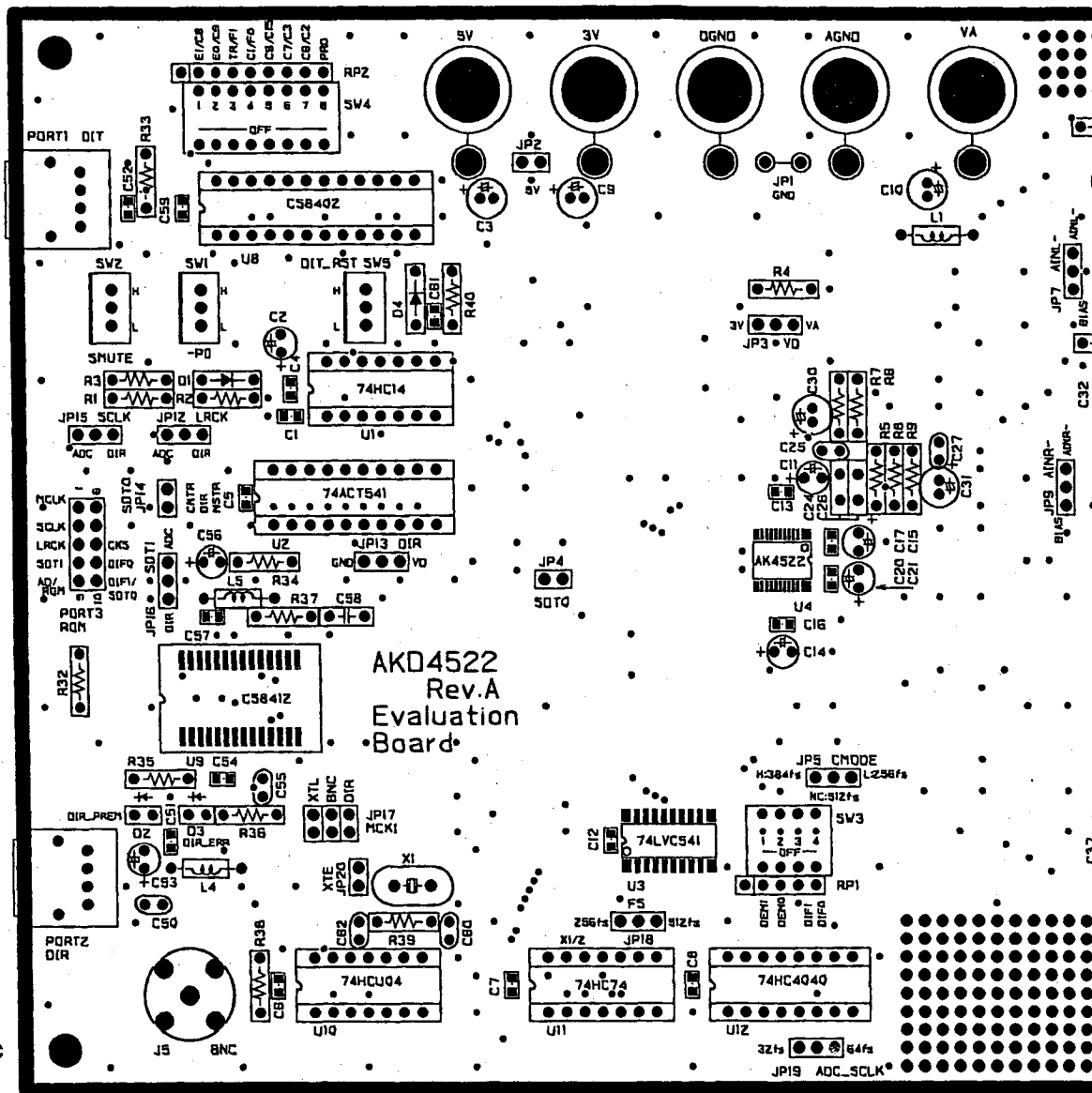
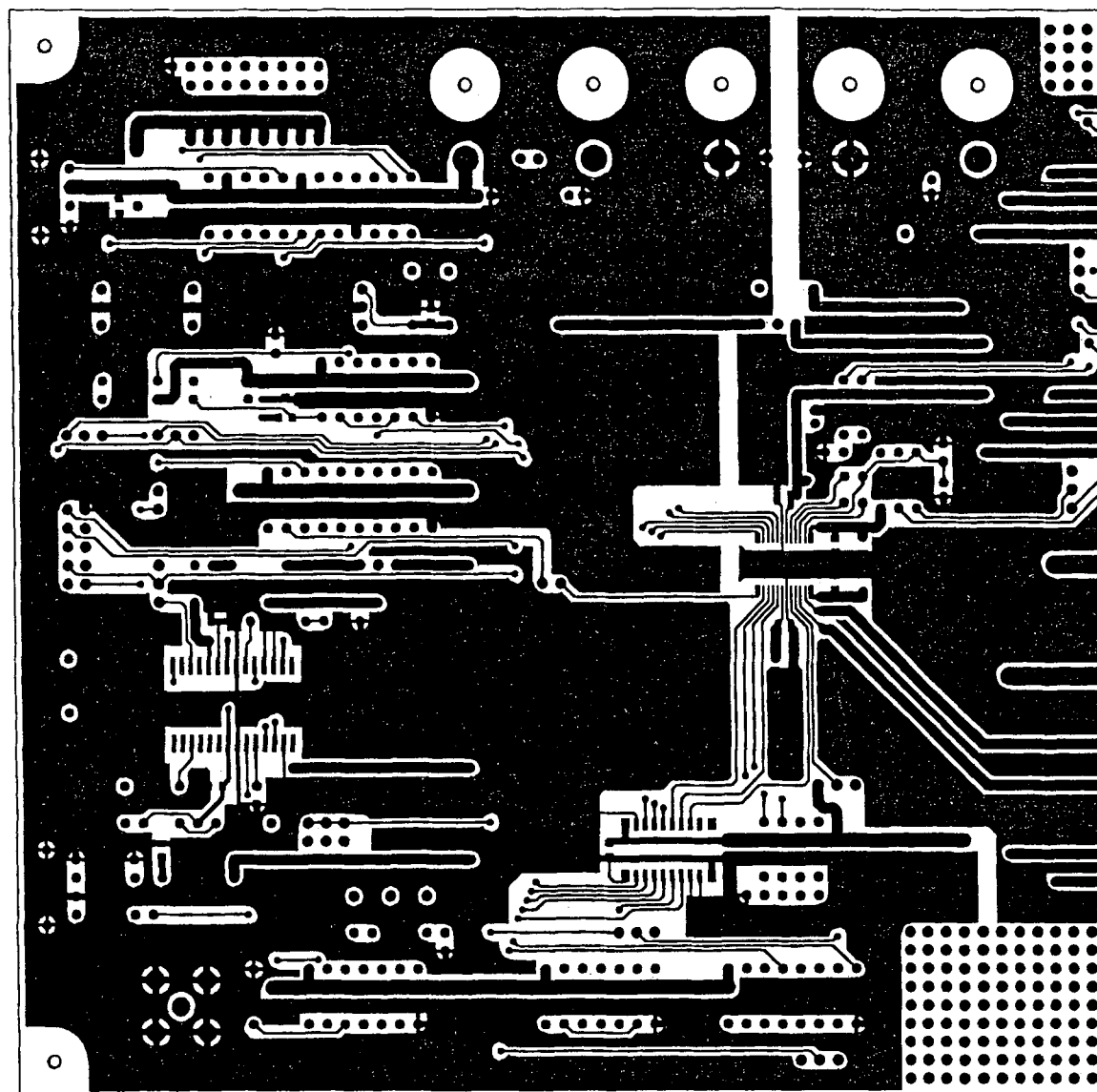


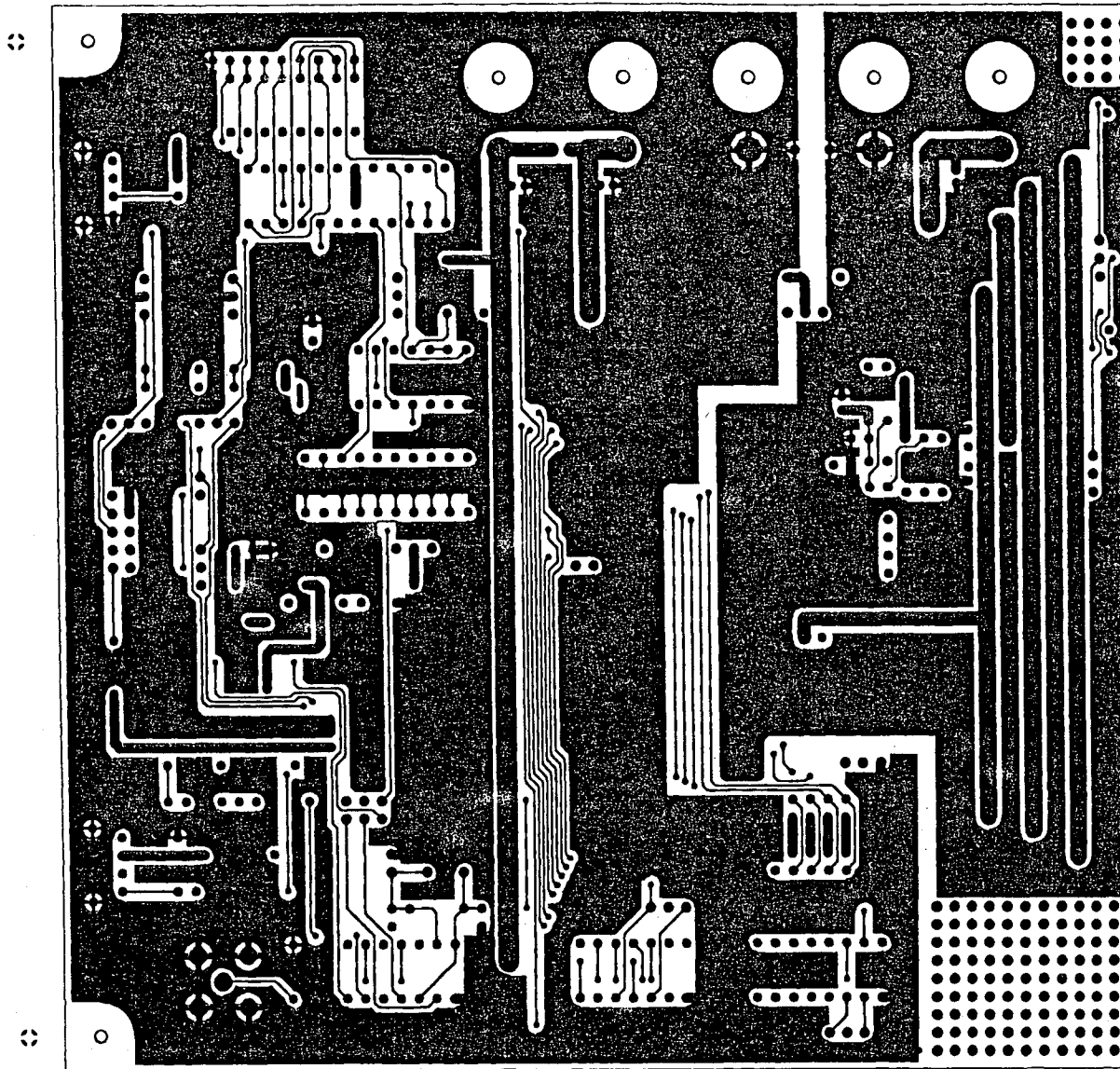
Figure 52 : FFT (out-of-band noise ~300kHz ;

FFT points : 8192, averaging : 10)



LI 部品面 レジストシルク AKD4522 Rev.A





A.v9R SS240XA

LS #田面 1A-2

## IMPORTANT NOTICE

- These products and their specifications are subject to change without notice. Before considering any use or application, consult the Asahi Kasei Microsystems Co., Ltd. (AKM) sales office or authorized distributor concerning their current status.
- AKM assumes no liability for infringement of any patent, intellectual property, or other right in the application or use of any information contained herein.
- Any export of these products, or devices or systems containing them, may require an export license or other official approval under the law and regulations of the country of export pertaining to customs and tariffs, currency exchange, or strategic materials.
- AKM products are neither intended nor authorized for use as critical components in any safety, life support, or other hazard related device or system, and AKM assumes no responsibility relating to any such use, except with the express written consent of the Representative Director of AKM. As used here:
  - (a) A hazard related device or system is one designed or intended for life support or maintenance of safety or for applications in medicine, aerospace, nuclear energy, or other fields, in which its failure to function or perform may reasonably be expected to result in loss of life or in significant injury or damage to person or property.
  - (b) A critical component is one whose failure to function or perform may reasonably be expected to result, whether directly or indirectly, in the loss of the safety or effectiveness of the device or system containing it, and which must therefore meet very high standards of performance and reliability.
- It is the responsibility of the buyer or distributor of an AKM product who distributes, disposes of, or otherwise places the product with a third party to notify that party in advance of the above content and conditions, and the buyer or distributor agrees to assume any and all responsibility and liability for and hold AKM harmless from any and all claims arising from the use of said product in the absence of such notification.