

## Fast-Charge IC

### Features

- Fast charge and conditioning of nickel cadmium or nickel-metal hydride batteries
- Hysteretic PWM switch-mode current regulation or gated control of an external regulator
- Easily integrated into systems or used as a stand-alone charger
- Pre-charge qualification of temperature and voltage
- Direct LED outputs display battery and charge status
- Fast-charge termination by  $\Delta$  temperature/ $\Delta$  time,  $-\Delta V$ , maximum voltage, maximum temperature, and maximum time
- Optional top-off charge

### General Description

The bq2003 Fast Charge IC provides comprehensive fast charge control functions together with high-speed switching power control circuitry on a monolithic CMOS device.

Integration of closed-loop current control circuitry allows the bq2003 to be the basis of a cost-effective solution for stand-alone and system-integrated chargers for batteries of one or more cells.

Switch-activated discharge-before-charge allows bq2003-based chargers to support battery conditioning and capacity determination.

High-efficiency power conversion is accomplished using the bq2003 as a hysteretic PWM controller for switch-mode regulation of the charging current. The bq2003 may alternatively be used to gate an externally regulated charging current.

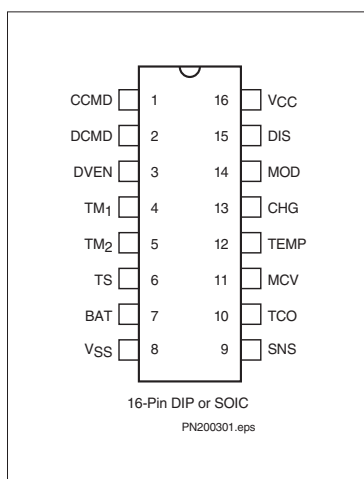
Fast charge may begin on application of the charging supply, replacement of the battery, or switch depression. For safety, fast charge is inhibited unless/until the battery temperature and voltage are within configured limits.

Temperature, voltage, and time are monitored throughout fast charge. Fast charge is terminated by any of the following:

- Rate of temperature rise ( $\Delta T/\Delta t$ )
- Negative delta voltage ( $-\Delta V$ )
- Maximum voltage
- Maximum temperature
- Maximum time

After fast charge, an optional top-off phase is available. Constant-current maintenance charge is provided by an external trickle resistor.

### Pin Connections



### Pin Names

CCMD	Charge command/select	SNS	Sense resistor input
DCMD	Discharge command	TCO	Temperature cutoff
DVEN	$-\Delta V$ enable/disable	MCV	Maximum voltage
TM <sub>1</sub>	Timer mode select 1	TEMP	Temperature status output
TM <sub>2</sub>	Timer mode select 2	CHG	Charging status output
TS	Temperature sense	MOD	Charge current control
BAT	Battery voltage	DIS	Discharge control
VSS	System ground	VCC	5.0V $\pm$ 10% power

## Pin Descriptions

**CCMD, DCMD**    **Charge initiation and discharge-before-charge control inputs**

These two inputs control the conditions that begin a new charge cycle and enable discharge-before-charge. See Table 1.

**DVEN**    **-ΔV enable input**

This input enables/disables -ΔV charge termination. If DVEN is high, the -ΔV test is enabled. If DVEN is low, -ΔV test is disabled. The state of DVEN may be changed at any time.

**TM<sub>1</sub>-TM<sub>2</sub>**    **Timer mode inputs**

TM<sub>1</sub> and TM<sub>2</sub> are three-state inputs that configure the fast charge safety timer, -ΔV hold-off time, and that enhance/disable top-off. See Table 2.

**TS**    **Temperature sense input**

Input, referenced to SNS, for an external thermistor monitoring battery temperature.

**BAT**    **Single-cell voltage input**

The battery voltage sense input, referenced to SNS. This is created by a high-impedance resistor divider network connected between the positive and the negative terminals of the battery.

**V<sub>ss</sub>**    **Ground**

**SNS**    **Charging current sense input**

SNS controls the switching of MOD based on the voltage across an external sense resistor in the current path of the battery. SNS is the reference potential for the TS and BAT pins. If SNS is connected to V<sub>SS</sub>, MOD switches high at the beginning of charge and low at the end of charge.

**TCO**    **Temperature cutoff threshold input**

Input to set maximum allowable battery temperature. If the potential between TS and SNS is less than the voltage at the TCO input, then fast charge or top-off charge is terminated.

**MCV**    **Maximum-Cell-Voltage threshold input**

Input to set maximum single-cell equivalent voltage. If the voltage between BAT and SNS is greater than or equal to the voltage at the MCV input, then fast charge or top-off charge is inhibited.

**Note: For valid device operation, the voltage level on MCV must not exceed 0.6 \* V<sub>CC</sub>.**

**TEMP**    **Temperature status output**

Push-pull output indicating temperature status. TEMP is low if the voltage at the TS pin is not within the allowed range to start fast charge.

**CHG**    **Charging status output**

Push-pull output indicating charging status. See Figure 1.

**MOD**    **Current-switching control output**

MOD is a push/pull output that is used to control the charging current to the battery. MOD switches high to enable charging current flow and low to inhibit charging current flow.

**DIS**    **Discharge FET control output**

Push-pull output used to control an external transistor to discharge the battery before charging.

**V<sub>CC</sub>**    **V<sub>CC</sub> supply input**

5.0 V, ±10% power input.

## Functional Description

Figure 3 shows a state diagram and Figure 4 shows a block diagram of the bq2003.

### Battery Voltage and Temperature Measurements

Battery voltage and temperature are monitored for maximum allowable values. The voltage presented on the battery sense input, BAT, should represent a single-cell potential for the battery under charge. A resistor-divider ratio of:

$$\frac{RB1}{RB2} = N - 1$$

is recommended to maintain the battery voltage within the valid range, where N is the number of cells, RB1 is

the resistor connected to the positive battery terminal, and RB2 is the resistor connected to the negative battery terminal. See Figure 1.

**Note:** This resistor-divider network input impedance to end-to-end should be at least 200kΩ and less than 1MΩ.

A ground-referenced negative temperature coefficient thermistor placed in proximity to the battery may be used as a low-cost temperature-to-voltage transducer. The temperature sense voltage input at TS is developed using a resistor-thermistor network between V<sub>CC</sub> and battery's negative terminal. See Figure 1. Both the BAT and TS inputs are referenced to SNS, so the signals used inside the IC are:

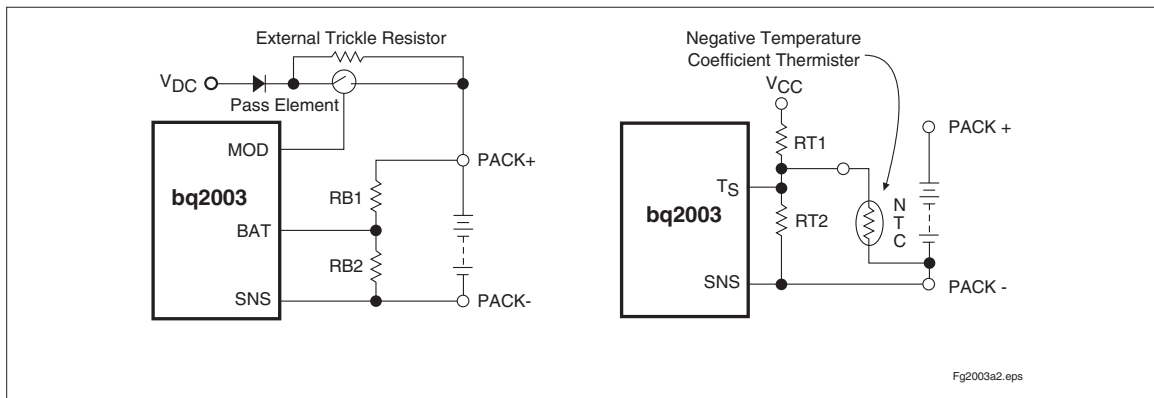
$$V_{BAT} - V_{SNS} = V_{CELL}$$

and

$$V_{TS} - V_{SNS} = V_{TEMP}$$

**Table 1. New Charge Cycle and Discharge Stimulus**

CCMD	DCMD	New Charge Cycle Started by:	Discharge-Before-Charge Started by:
Pulled Up/Down to:			
V <sub>SS</sub>	V <sub>SS</sub>	V <sub>CC</sub> rising to valid level	A rising edge on DCMD
		Battery replacement (V <sub>CELL</sub> falling through V <sub>MCV</sub> )	
		A rising edge on CCMD	
V <sub>CC</sub>	V <sub>CC</sub>	V <sub>CC</sub> rising to valid level	A rising edge on DCMD
		Battery replacement (V <sub>CELL</sub> falling through V <sub>MCV</sub> )	
		A falling edge on CCMD or DCMD	
V <sub>CC</sub>	V <sub>SS</sub>	A rising edge on CCMD	A rising edge on DCMD
V <sub>SS</sub>	V <sub>CC</sub>	A falling edge on CCMD	A rising edge on DCMD



**Figure 1. Voltage and Temperature Monitoring and Trickle Resistor**

**Discharge-Before-Charge**

The DCMD input is used to command discharge-before-charge via the DIS output. Once activated, DIS becomes active (high) until  $V_{CELL}$  falls below  $V_{EDV}$ , at which time DIS goes low and a new fast charge cycle begins. See Table 1 for the conditions that initiate discharge-before-charge. Discharge-before-charge is qualified by the same voltage and temperature conditions that qualify a new charge cycle start (see below). If a discharge is initiated but the pack voltage or temperature is out of range, the chip enters the charge pending mode and trickle charges the battery until the voltage and temperature qualification conditions are met, and then starts to discharge.

**Starting A Charge Cycle**

The stimulus required to start a new charge cycle is determined by the configuration of the CCMD and DCMD inputs. If CCMD and DCMD are both pulled up or pulled down, then a new charge cycle is started by (see Figure 2):

1.  $V_{CC}$  rising above 4.5V
2.  $V_{CELL}$  falling through the maximum cell voltage,  $V_{MCV}$ .  $V_{MCV}$  is the voltage presented at the MCV input pin, and is configured by the user with a resistor divider between  $V_{CC}$  and ground. The allowed range is  $0.2$  to  $0.4 * V_{CC}$ .

3. A rising edge on CCMD if it is pulled down, or a falling edge on CCMD if it is pulled up.

Starting a new charge cycle may be limited to a push-button or logical pulse input only by pulling one member of the DCMD and CCMD pair up while pulling the other input down. In this configuration a new charge cycle will be started only by a falling edge on CCMD if it is pulled up, and by a falling edge on CCMD if it is pulled down. See Table 1.

If the battery is within the configured temperature and voltage limits, the IC begins fast charge. The valid battery voltage range is  $V_{EDV} < V_{BAT} < V_{MCV}$  where:

$$V_{EDV} = 0.2 * V_{CC} \pm 30mV$$

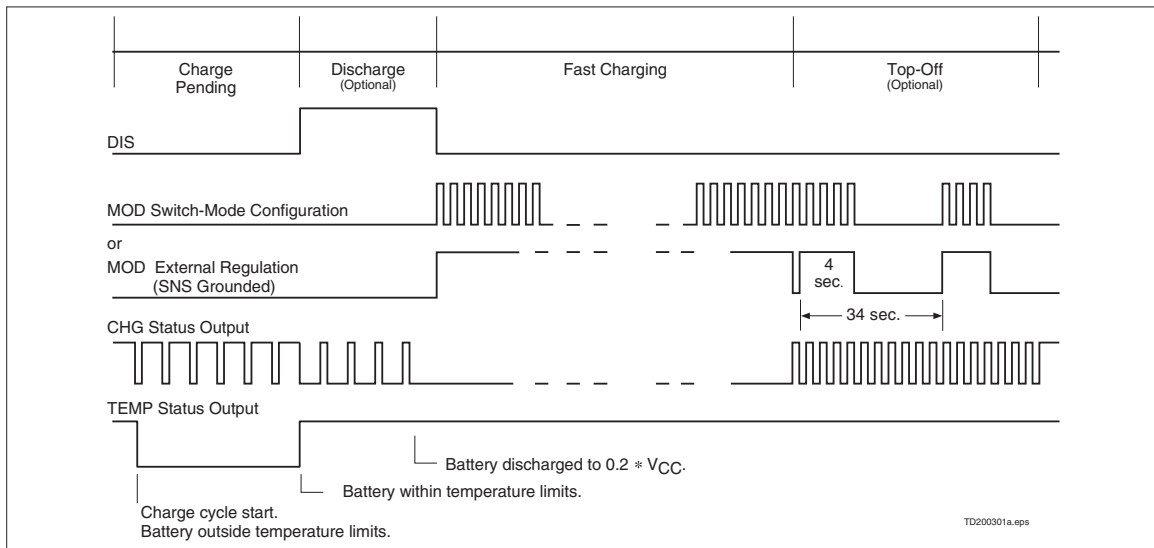
The valid temperature range is  $V_{HTF} < V_{TEMP} < V_{LTF}$ , where:

$$V_{LTF} = 0.4 * V_{CC} \pm 30mV$$

$$V_{HTF} = [(1/8 * V_{LTF}) + (7/8 * V_{TCO})] \pm 30mV$$

$V_{TCO}$  is the voltage presented at the TCO input pin, and is configured by the user with a resistor divider between  $V_{CC}$  and ground. The allowed range is  $0.2$  to  $0.4 * V_{CC}$ .

If the temperature of the battery is out of range, or the voltage is too low, the chip enters the charge pending state and waits for both conditions to fall within their allowed limits. There is no time limit on the charge pending state; the charger remains in this state as long as the voltage or temperature conditions are outside of



**Figure 2. Charge Cycle Phases**

Table 2. Fast-Charge Safety Time/Hold-Off/Top-Off Table

Corresponding Fast-Charge Rate	TM1	TM2	Typical Fast Charge and Top-Off Time Limits	Typical $-\Delta V/MCV$ Hold-Off Time (seconds)	Top-Off Rate
C/4	Low	Low	360	137	Disabled
C/2	Float	Low	180	820	Disabled
1C	High	Low	90	410	Disabled
2C	Low	Float	45	200	Disabled
4C	Float	Float	23	100	Disabled
C/2	High	Float	180	820	C/16
1C	Low	High	90	410	C/8
2C	Float	High	45	200	C/4
4C	High	High	23	100	C/2

**Note:** Typical conditions = 25°C,  $V_{CC} = 5.0V$ .

the allowed limits. If the voltage is too high, the chip goes to the battery absent state and waits until a new charge cycle is started.

Fast charge continues until termination by one or more of the five possible termination conditions:

- Delta temperature/delta time ( $\Delta T/\Delta t$ )
- Negative delta voltage ( $-\Delta V$ )
- Maximum voltage
- Maximum temperature
- Maximum time

#### $-\Delta V$ Termination

If the DVEN input is high, the bq2003 samples the voltage at the BAT pin once every 34s. If  $V_{CELL}$  is lower than any previously measured value by  $12mV \pm 4mV$ , fast charge is terminated. The  $-\Delta V$  test is valid in the range  $V_{MCV} - (0.2 * V_{CC}) < V_{CELL} < V_{MCV}$ .

#### Voltage Sampling

Each sample is an average of 16 voltage measurements taken  $57\mu s$  apart. The resulting sample period (18.18ms) filters out harmonics around 55Hz. This technique minimizes the effect of any AC line ripple that may feed through the power supply from either 50Hz or 60Hz AC sources. Tolerance on all timing is  $\pm 16\%$ .

#### Voltage Termination Hold-off

A hold-off period occurs at the start of fast charging. During the hold-off period,  $-\Delta V$  termination is disabled. This avoids premature termination on the voltage spikes sometimes produced by older batteries when fast-charge current is first applied.  $\Delta T/\Delta t$ , maximum voltage and

maximum temperature terminations are not affected by the hold-off period.

#### $\Delta T/\Delta t$ Termination

The bq2003 samples at the voltage at the TS pin every 34s, and compares it to the value measured two samples earlier. If  $V_{TEMP}$  has fallen  $16mV \pm 4mV$  or more, fast charge is terminated. The  $\Delta T/\Delta t$  termination test is valid only when  $V_{TCO} < V_{TEMP} < V_{LTF}$ .

#### Temperature Sampling

Each sample is an average of 16 voltage measurements taken  $57\mu s$  apart. The resulting sample period (18.18ms) filters out harmonics around 55Hz. This technique minimizes the effect of any AC line ripple that may feed through the power supply from either 50Hz or 60Hz AC sources. Tolerance on all timing is  $\pm 16\%$ .

#### Maximum Voltage, Temperature, and Time

Anytime  $V_{CELL}$  rises above  $V_{MCV}$ , CHG goes high (the LED goes off) immediately. If the bq2003 is not in the voltage hold-off period, fast charging ceases if  $V_{CELL}$  remains above MCV for a minimum of  $t_{MCV}$ . If  $V_{CELL}$  then falls back below  $V_{MCV}$  before  $1.5t_{MCV} \pm 50ms$ , the chip transitions to the Charge Complete state (maximum voltage termination). If  $V_{CELL}$  remains above  $V_{MCV}$  beyond  $1.5t_{MCV}$ , the bq2003 transitions to the Battery Absent state (battery removal). See Figure 3.

If the bq2003 is in the voltage hold-off period when  $V_{CELL}$  rises above  $V_{MCV}$ , the LED goes out but fast charging continues until the expiration of the hold-off period. Temperature sampling continues during the hold-off period as well. If a new battery is inserted before the hold-off period expires, it continues in the fast charge cycle started by its predecessor. No precharge qualification is performed, and a temperature sample

## bq2003

---

taken on the new battery is compared to ones taken before the original battery was removed and any that may have been taken while no battery was present. If the IC is configured for  $\Delta T/\Delta t$  termination, this may result in a premature fast-charge termination on the newly inserted battery.

Maximum temperature termination occurs anytime the voltage on the TS pin falls below the temperature cut-off threshold  $V_{TCO}$ . Charge is also terminated if  $V_{TEMP}$  rises above the minimum temperature fault threshold,  $V_{LTF}$ , after fast charge begins.

Maximum charge time is configured using the TM pin. Time settings are available for corresponding charge rates of C/4, C/2, 1C, and 2C. Maximum time-out termination is enforced on the fast-charge phase, then reset, and enforced again on the top-off phase, if selected. There is no time limit on the trickle-charge phase.

### Top-off Charge

An optional top-off charge phase may be selected to follow fast charge termination for the C/2 through 4C rates. This phase may be necessary on NiMH or other battery chemistries that have a tendency to terminate charge prior to reaching full capacity. With top-off enabled, charging continues at a reduced rate after fast-charge termination for a period of time selected by the  $TM_1$  and  $TM_2$  input pins. (See Table 2.) During top-off, the MOD pin is enabled at a duty cycle of 4s active for every 30s inactive. This modulation results in an average rate 1/8th that of the fast charge rate. Maximum voltage, time, and temperature are the only termination methods enabled during top-off.

### External Trickle Resistor

Maintenance charging is provided by the use of an external trickle resistor between the high side of the battery pack and  $V_{DC}$ , the input charging supply voltage. (See Figure 1.) This resistor is sized to meet two criteria.

- With the battery removed, the resistor must pull the voltage at the BAT input above MCV for battery insertion and removal detection.
- With the battery at its fully charged voltage, the trickle current should be approximately equal to the self-discharge rate of the battery.

### Charge Status Indication

Charge status is indicated by the CHG output. The state of the CHG output in the various charge cycle phases is shown in Figure 3 and illustrated in Figure 1.

Temperature status is indicated by the TEMP output. TEMP is in the high state whenever  $V_{TEMP}$  is within the temperature window defined by the  $V_{LTF}$  and  $V_{HTF}$  temperature limits, and is low when the battery temperature is outside these limits.

In all cases, if  $V_{CELL}$  exceeds the voltage at the MCV pin, both CHG and TEMP outputs are held high regardless of other conditions. CHG and TEMP may both be used to directly drive an LED.

### Charge Current Control

The bq2003 controls charge current through the MOD output pin. The current control circuitry is designed to support implementation of a constant-current switching regulator or to gate an externally regulated current source.

When used in switch-mode configuration, the nominal regulated current is:

$$I_{REG} = 0.235V/R_{SNS}$$

Charge current is monitored at the SNS input by the voltage drop across a sense resistor,  $R_{SNS}$ , between the low side of the battery pack and ground.  $R_{SNS}$  is sized to provide the desired fast-charge current.

If the voltage at the SNS pin is less than  $V_{SNSLO}$ , the MOD output is switched high to pass charge current to the battery.

When the SNS voltage is greater than  $V_{SNSHI}$ , the MOD output is switched low—shutting off charging current to the battery.

$$V_{SNSLO} = 0.044 * V_{CC} \pm 25mV$$

$$V_{SNSHI} = 0.05 * V_{CC} \pm 25mV$$

When used to gate an externally regulated current source, the SNS pin is connected to  $V_{SS}$ , and no sense resistor is required.

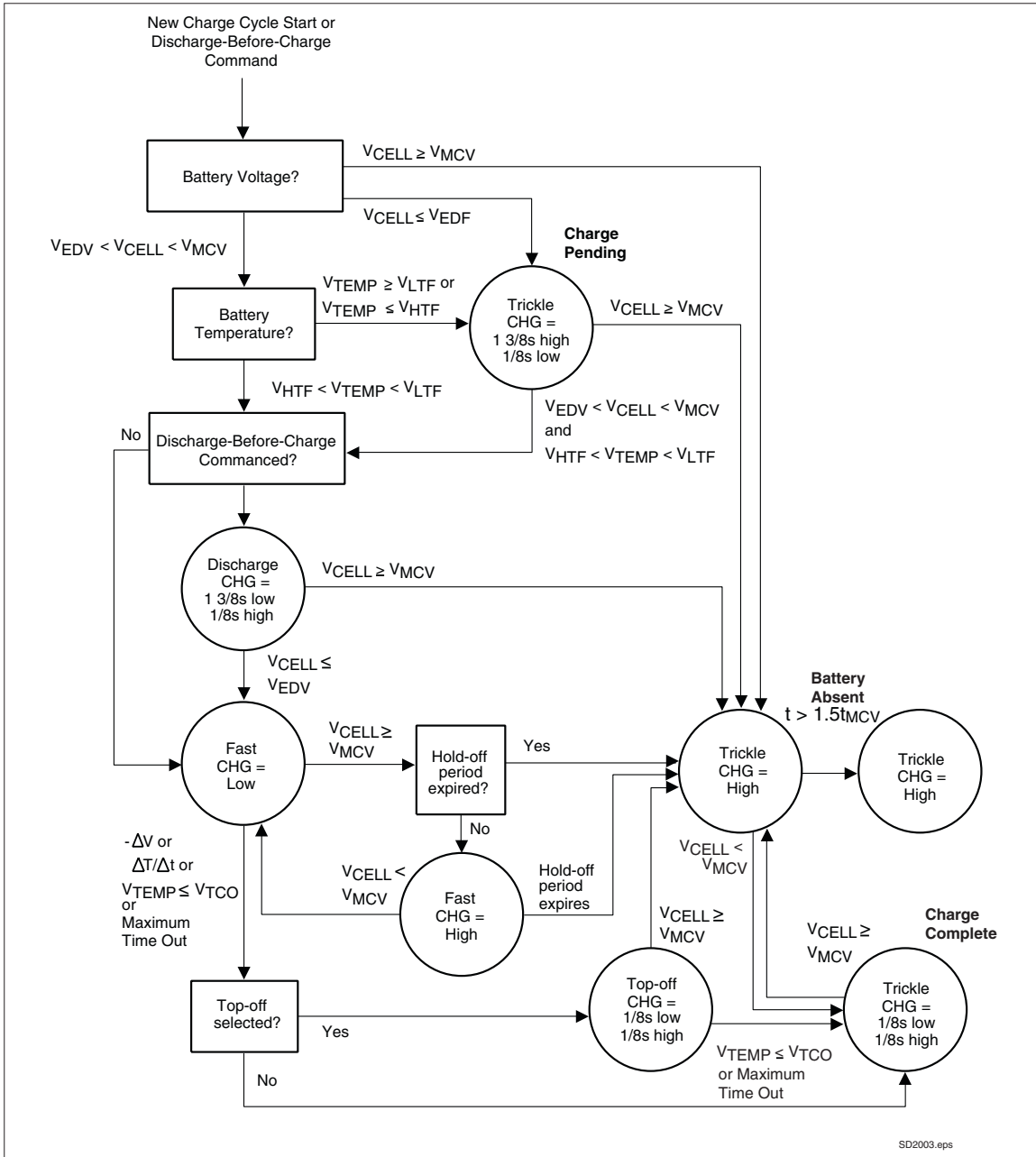


Figure 3. State Diagram

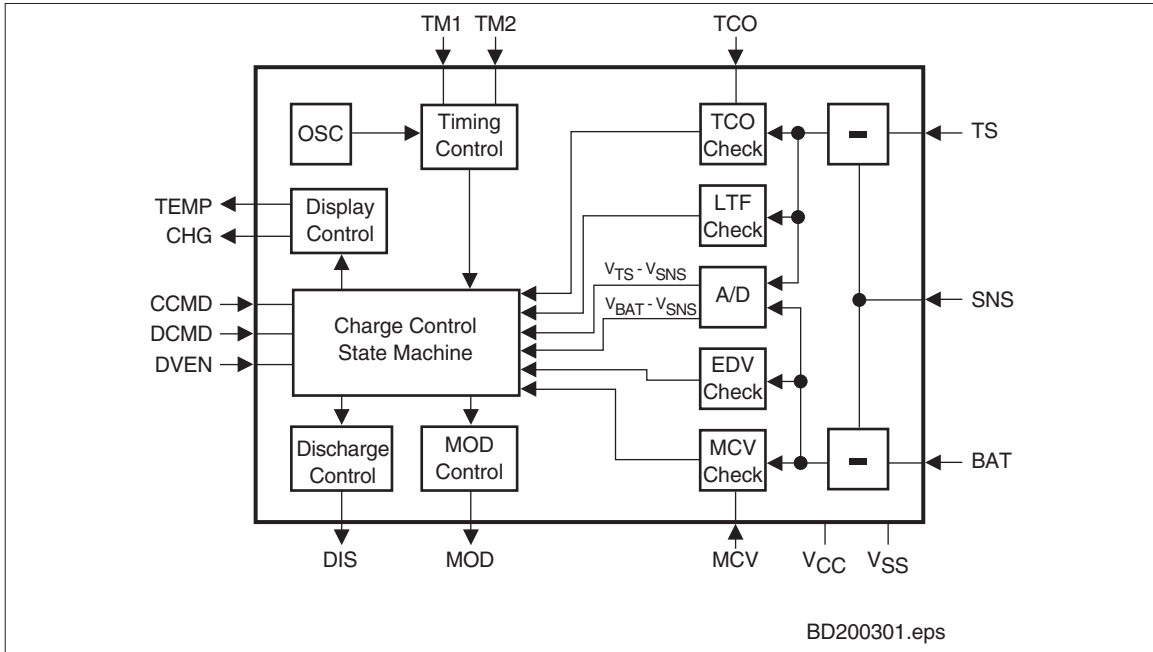


Figure 4. Block Diagram



## Absolute Maximum Ratings

Symbol	Parameter	Minimum	Maximum	Unit	Notes
V <sub>CC</sub>	V <sub>CC</sub> relative to V <sub>SS</sub>	-0.3	+7.0	V	
V <sub>T</sub>	DC voltage applied on any pin excluding V <sub>CC</sub> relative to V <sub>SS</sub>	-0.3	+7.0	V	
T <sub>OPR</sub>	Operating ambient temperature	0	+70	°C	Commercial
T <sub>STG</sub>	Storage temperature	-55	+125	°C	
T <sub>SOLDER</sub>	Soldering temperature	-	+260	°C	10 sec max.
T <sub>BIAS</sub>	Temperature under bias	-40	+85	°C	

**Note:** Permanent device damage may occur if **Absolute Maximum Ratings** are exceeded. Functional operation should be limited to the Recommended DC Operating Conditions detailed in this data sheet. Exposure to conditions beyond the operational limits for extended periods of time may affect device reliability.

## DC Thresholds (T<sub>A</sub> = T<sub>OPR</sub>; V<sub>CC</sub> ±10%)

Symbol	Parameter	Rating	Tolerance	Unit	Notes
V <sub>SNSHI</sub>	High threshold at SNS resulting in MOD = Low	0.05 * V <sub>CC</sub>	±0.025	V	Tolerance is common mode deviation.
V <sub>SNSLO</sub>	Low threshold at SNS resulting in MOD = High	0.044 * V <sub>CC</sub>	±0.025	V	Tolerance is common mode deviation.
V <sub>LTF</sub>	Low-temperature fault	0.4 * V <sub>CC</sub>	±0.030	V	V <sub>TEMP</sub> ≥ V <sub>LTF</sub> inhibits/terminates charge
V <sub>HTF</sub>	High-temperature fault	(1/8 * V <sub>LTF</sub> ) + (7/8 * V <sub>TCO</sub> )	±0.030	V	V <sub>TEMP</sub> ≤ V <sub>HTF</sub> inhibits fast charge
V <sub>EDV</sub>	End-of-discharge voltage	0.2 * V <sub>CC</sub>	±0.030	V	V <sub>CELL</sub> < V <sub>EDV</sub> inhibits fast charge
V <sub>THERM</sub>	TS input change for ΔT/Δt detection	-16	±4	mV	V <sub>CC</sub> = 5V, T <sub>A</sub> = 25°C
-ΔV	BAT input change for -ΔV detection	-12	±4	mV	V <sub>CC</sub> = 5V, T <sub>A</sub> = 25°C

## bq2003

### Recommended DC Operating Conditions ( $T_A = 0$ to $+70^\circ\text{C}$ )

Symbol	Parameter	Minimum	Typical	Maximum	Unit	Notes
$V_{CC}$	Supply voltage	4.5	5.0	5.5	V	
$V_{BAT}$	Battery input	0	-	$V_{CC}$	V	
$V_{CELL}$	BAT voltage potential	0	-	$V_{CC}$	V	$V_{BAT} - V_{SNS}$
$V_{TS}$	Thermistor input	0	-	$V_{CC}$	V	
$V_{TEMP}$	TS voltage potential	0	-	$V_{CC}$	V	$V_{TS} - V_{SNS}$
$V_{MCV}$	Maximum cell voltage	$0.2 * V_{CC}$	-	$0.4 * V_{CC}$	V	
$V_{TCO}$	Temperature cutoff	$0.2 * V_{CC}$	-	$0.4 * V_{CC}$	V	
$V_{IH}$	Logic input high	$V_{CC} - 1.0$	-	-	V	CCMD, DCMD, DVEN
	Logic input high	$V_{CC} - 0.3$	-	-	V	TM <sub>1</sub> , TM <sub>2</sub>
$V_{IL}$	Logic input low	-	-	1.0	V	CCMD, DCMD, DVEN
	Logic input low	-	-	0.3	V	TM <sub>1</sub> , TM <sub>2</sub>
$V_{OH}$	Logic output high	$V_{CC} - 0.5$	-	-	V	DIS, TEMP, CHG, MOD, $I_{OH} \leq -5\text{mA}$
$V_{OL}$	Logic output low	-	-	0.5	V	DIS, TEMP, CHG, MOD, $I_{OL} \leq 5\text{mA}$
$I_{CC}$	Supply current	-	0.75	2.2	mA	Outputs unloaded
$I_{OH}$	DIS, TEMP, MOD, CHG source	-5.0	-	-	mA	@ $V_{OH} = V_{CC} - 0.5\text{V}$
$I_{OL}$	DIS, TEMP, MOD, CHG sink	5.0	-	-	mA	@ $V_{OL} = V_{SS} + 0.5\text{V}$
$I_{IL}$	Input leakage	-	-	$\pm 1$	$\mu\text{A}$	CCMD, DCMD, DVEN, $V = V_{SS}$ to $V_{CC}$
	Logic input low source	-	-	70	$\mu\text{A}$	TM <sub>1</sub> , TM <sub>2</sub> , $V = V_{SS}$ to $V_{SS} + 0.3\text{V}$
$I_{IH}$	Logic input high source	-70	-	-	$\mu\text{A}$	TM <sub>1</sub> , TM <sub>2</sub> , $V = V_{CC} - 0.3\text{V}$ to $V_{CC}$
$I_{IZ}$	TM <sub>1</sub> , TM <sub>2</sub> tri-state open detection	-2.0	-	2.0	$\mu\text{A}$	TM <sub>1</sub> , TM <sub>2</sub> may be left disconnected (floating) for Z logic input state

**Note:** All voltages relative to  $V_{SS}$  except as noted.

## Impedance

Symbol	Parameter	Minimum	Typical	Maximum	Unit
R <sub>BAT</sub>	Battery input impedance	50	-	-	MΩ
R <sub>MCV</sub>	MCV input impedance	50	-	-	MΩ
R <sub>TCO</sub>	TCO input impedance	50	-	-	MΩ
R <sub>SNS</sub>	SNS input impedance	50	-	-	MΩ
R <sub>TTS</sub>	TTS input impedance	50	-	-	MΩ

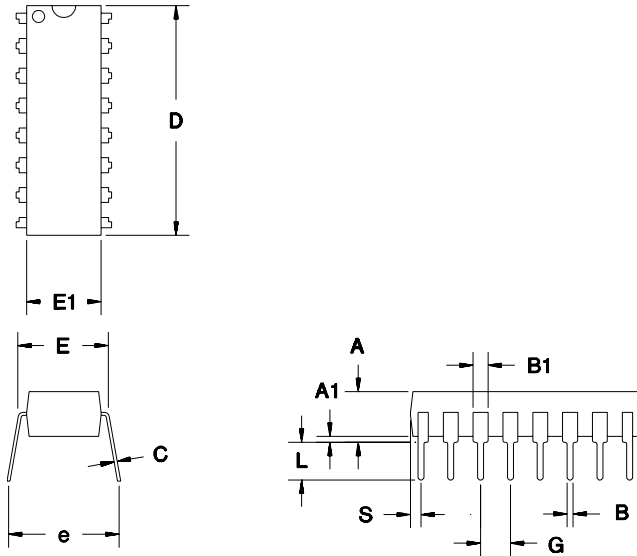
## Timing (T<sub>A</sub> = 0 to +70°C; V<sub>CC</sub> ±10%)

Symbol	Parameter	Minimum	Typical	Maximum	Unit	Notes
t <sub>PW</sub>	Pulse width for CCMD, DCMD pulse commands	1	-	-	μs	Pulse start for charge or discharge-before-charge
d <sub>FCV</sub>	Time base variation	-16	-	16	%	V <sub>CC</sub> = 4.5V to 5.5V
f <sub>REG</sub>	MOD output regulation frequency	-	-	300	kHz	
t <sub>MVC</sub>	Maximum voltage termination time limit	200	250	300	ms	Time limit to distinguish battery removed from charge complete

**Note:** Typical is at T<sub>A</sub> = 25°C, V<sub>CC</sub> = 5.0V.

# bq2003

## PN: 16-Pin DIP Narrow

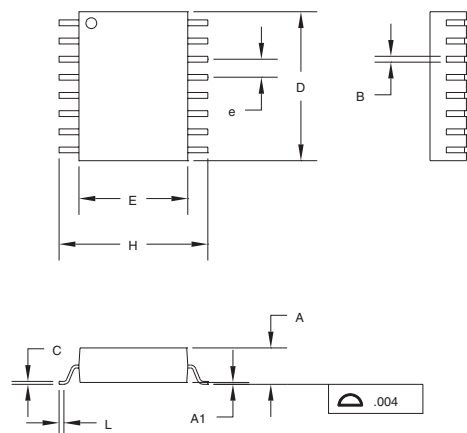


### 16-Pin PN (DIP Narrow)

Dimension	Minimum	Maximum
A	0.160	0.180
A1	0.015	0.040
B	0.015	0.022
B1	0.055	0.065
C	0.008	0.013
D	0.740	0.770
E	0.300	0.325
E1	0.230	0.280
e	0.300	0.370
G	0.090	0.110
L	0.115	0.150
S	0.020	0.040

All dimensions are in inches.

## S: 16-Pin SOIC



### 16-Pin S (SOIC)

Dimension	Minimum	Maximum
A	0.095	0.105
A1	0.004	0.012
B	0.013	0.020
C	0.008	0.013
D	0.400	0.415
E	0.290	0.305
e	0.045	0.055
H	0.395	0.415
L	0.020	0.040

All dimensions are in inches.

## bq2003

---

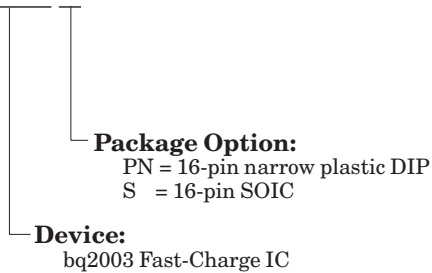
### Data Sheet Revision History

Change No.	Page No.	Description	Nature of Change
5	2	Changed block diagram	Changed diagram.
5	8	Added top-off values to Table 2.	Added values.
6	All	Revised and expanded format of this data sheet	Clarification
7	9	T <sub>OPR</sub>	Deleted industrial temperature range.
8	3	Corrected Table 1	Correction
8	5, 7	Corrected and expanded the explanation for maximum voltage conditions	Clarification

**Notes:** Changes 1–4: Please refer to the *1997 Data Book*.  
Change 5 = Sept. 1996 F changes from Oct. 1993 E.  
Change 6 = Oct. 1997 G changes from Sept. 1996 F.  
Change 7 = June 1999 H changes from Oct. 1997 G.  
Change 8 = Oct. 1999 I changes from June 1999 H.

### Ordering Information

**bq2003**



**PACKAGING INFORMATION**

Orderable Device	Status <sup>(1)</sup>	Package Type	Package Drawing	Pins	Package Qty	Eco Plan <sup>(2)</sup>	Lead/Ball Finish	MSL Peak Temp <sup>(3)</sup>
BQ2003PN	ACTIVE	PDIP	N	16	25	Pb-Free (RoHS)	CU NIPDAU	N / A for Pkg Type
BQ2003PN-N	ACTIVE	PDIP	N	16	25	TBD	CU NIPDAU	N / A for Pkg Type
BQ2003S	ACTIVE	SOIC	DW	16	40	TBD	CU NIPDAU	Level-2-220C-1 YEAR
BQ2003S-N	ACTIVE	SOIC	DW	16	40	TBD	CU NIPDAU	Level-2-220C-1 YEAR
BQ2003S-NTR	ACTIVE	SOIC	DW	16	2000	TBD	CU NIPDAU	Level-2-220C-1 YEAR
BQ2003S-NTRG4	ACTIVE	SOIC	DW	16		TBD	Call TI	Call TI
BQ2003SG4	ACTIVE	SOIC	DW	16	40	Green (RoHS & no Sb/Br)	CU NIPDAU	Level-1-260C-UNLIM
BQ2003STR	ACTIVE	SOIC	DW	16	2000	TBD	CU NIPDAU	Level-2-220C-1 YEAR
BQ2003STRG4	ACTIVE	SOIC	DW	16	40	Green (RoHS & no Sb/Br)	CU NIPDAU	Level-1-260C-UNLIM

<sup>(1)</sup> The marketing status values are defined as follows:

**ACTIVE:** Product device recommended for new designs.

**LIFEBUY:** TI has announced that the device will be discontinued, and a lifetime-buy period is in effect.

**NRND:** Not recommended for new designs. Device is in production to support existing customers, but TI does not recommend using this part in a new design.

**PREVIEW:** Device has been announced but is not in production. Samples may or may not be available.

**OBSOLETE:** TI has discontinued the production of the device.

<sup>(2)</sup> Eco Plan - The planned eco-friendly classification: Pb-Free (RoHS), Pb-Free (RoHS Exempt), or Green (RoHS & no Sb/Br) - please check <http://www.ti.com/productcontent> for the latest availability information and additional product content details.

**TBD:** The Pb-Free/Green conversion plan has not been defined.

**Pb-Free (RoHS):** TI's terms "Lead-Free" or "Pb-Free" mean semiconductor products that are compatible with the current RoHS requirements for all 6 substances, including the requirement that lead not exceed 0.1% by weight in homogeneous materials. Where designed to be soldered at high temperatures, TI Pb-Free products are suitable for use in specified lead-free processes.

**Pb-Free (RoHS Exempt):** This component has a RoHS exemption for either 1) lead-based flip-chip solder bumps used between the die and package, or 2) lead-based die adhesive used between the die and leadframe. The component is otherwise considered Pb-Free (RoHS compatible) as defined above.

**Green (RoHS & no Sb/Br):** TI defines "Green" to mean Pb-Free (RoHS compatible), and free of Bromine (Br) and Antimony (Sb) based flame retardants (Br or Sb do not exceed 0.1% by weight in homogeneous material)

<sup>(3)</sup> MSL, Peak Temp. -- The Moisture Sensitivity Level rating according to the JEDEC industry standard classifications, and peak solder temperature.

**Important Information and Disclaimer:**The information provided on this page represents TI's knowledge and belief as of the date that it is provided. TI bases its knowledge and belief on information provided by third parties, and makes no representation or warranty as to the accuracy of such information. Efforts are underway to better integrate information from third parties. TI has taken and continues to take reasonable steps to provide representative and accurate information but may not have conducted destructive testing or chemical analysis on incoming materials and chemicals. TI and TI suppliers consider certain information to be proprietary, and thus CAS numbers and other limited information may not be available for release.

In no event shall TI's liability arising out of such information exceed the total purchase price of the TI part(s) at issue in this document sold by TI to Customer on an annual basis.