



BU2508AF

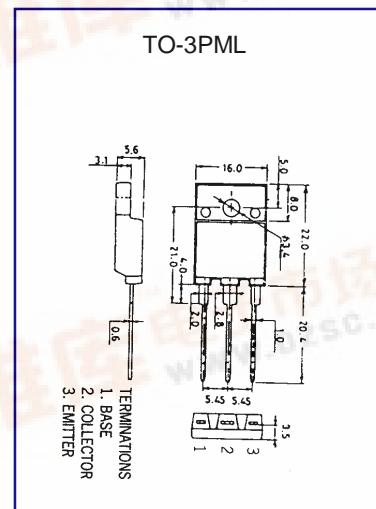
NPN TRIPLE DIFFUSED PLANAR SILICON TRANSISTOR

**COLOR TV HORIZONTAL OUTPUT
APPLICATIONS(No Damper Diode)**

- High Collector-Base Voltage($V_{CB0}=1500V$)
- High Speed Switching

ABSOLUTE MAXIMUM RATINGS ($T_A=25^{\circ}C$)

Characteristic	Symbol	Rating	Unit
Collector-Base Voltage	V_{CB0}	1500	V
Collector-Emitter Voltage	V_{CEO}	800	V
Emitter-Base voltage	V_{EB0}	6	V
Collector Current (DC)	I_C	5	A
Collector Dissipation ($T_c=25^{\circ}C$)	P_c	50	W
Junction Temperature	T_j	150	$^{\circ}C$
Storage Temperature	T_{stg}	-50~150	$^{\circ}C$



ELECTRICAL CHARACTERISTICS ($T_A=25^{\circ}C$)

Characteristic	Symbol	Test Condition	Min	Typ	Max	Unit
Collector- Emitter Cutoff Current($V_{BE}=0$)	I_{CES}	$V_{CE}=800V, R_{BE}=0$			1.0	mA
Collector Cutoff Current	I_{CB0}	$V_{CB}=800V, I_E=0$			10	μA
Emitter Cutoff Current	I_{EB0}	$V_{EB}=4V, I_C=0$			1.0	mA
DC Current Gain	h_{FE}	$V_{CE}=5V, I_C=1A$	8			
Collector- Emitter Saturation Voltage	$V_{CE(sat)}$	$I_C=4A, I_B=0.8A$			5.0	V

