



August 1998

CLC012 Adaptive Cable Equalizer for ITU-T G.703 Data Recovery

General Description

National's CLC012 adaptive cable equalizer is a low-cost monolithic solution for equalizing data transmitted over cable (or any media with similar dispersive loss characteristics). The CLC012 simplifies the task of high-speed data recovery with a one-chip solution and a minimal number of external components. The equalizer automatically adapts to equalize any cable length from zero meters to lengths that attenuate the signal by 40 dB at 200 MHz. This corresponds to 300 meters of Belden 8281 or 120 meters of Category 5 UTP (unshielded twisted pair).

The CLC012 provides superior jitter performance: 180ps_{pp} for 270 Mbps data that has passed through 200 meters of Belden 8281 cable. This exceptional performance provides wide error margin in digital data links. The equalizer operates on a single supply with a power consumption of only 290 mW. The small 14-pin SOIC package allows for high-density placement of components for multi-channel applications such as routers. The equalizer operates over a wide range of data rates from less than 50 Mbps to rates in excess of 650 Mbps.

The equalizer is flexible in allowing either single-ended or differential input drive. Its high common mode rejection provides excellent immunity to interference from noise sources. On-chip quantized feedback eliminates baseline wander.

Additional features include a Loss of Signal output and an output mute pin which, when tied together, mute the output when no signal is present. A buffered eye monitor output is provided, for viewing the equalized signal prior to the com-

parator. Differential AEC pins allow the user to set the internal adaptive loop time constant with one external capacitor.

Features

- Automatic equalization of coaxial and twisted pair cables
- Loss of Signal detect and output mute
- Output eye monitor
- Single supply operation: +5V or -5.2V
- Single-ended or differential input
- Low cost

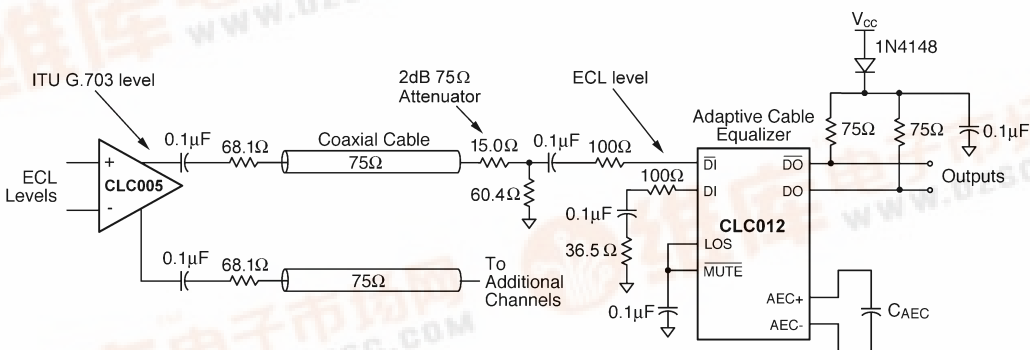
Applications

- ITU-T G.703 serial data recovery
- Serial digital data routing and distribution
- Serial digital data equalization and reception
- Data recovery equalization: ATM, CAD networks, medical, set top terminals, industrial video networks

Key Specifications

- Low jitter: 180ps_{pp} @ 270 Mbps through 200 meters of Belden 8281 coaxial cable
- High data rates: < 50 Mbps to > 650 Mbps
- Excellent input return loss: 19 dB @ 270 MHz
- Low supply current: 68 mA
- Equalizes up to 300+ meters of Belden 8281 or 120 meters of Cat 5 UTP cable

Typical Application



DS100145-4

CLC012 Adaptive Cable Equalizer for ITU-T G.703 Data Recovery



Absolute Maximum Ratings (Note 1)

If Military/Aerospace specified devices are required, please contact the National Semiconductor Sales Office/Distributors for availability and specifications.

Supply Voltage ($V_{CC}-V_{EE}$)	-0.3V, +6.5V
Maximum Junction Temperature	+150°C
Storage Temperature Range	-65°C to +150°C
Lead Temperature (Soldering 4 sec.)	+260°C
ESD Rating (Note 14)	≥500V
θ_{JA} 14-Pin SOIC (AJE)	95°C/W
MTTF (based on limited life test data)	4.8×10^7 hours

Recommended Operating Conditions

Supply Voltage ($V_{CC}-V_{EE}$)	4.5V to 5.5V
Operating Temperature Range	-40°C to +85°C
Series Input Resistance (In Series w/DI & \overline{DI})	100Ω
Input Coupling Capacitance	0.1 μF
AEC Capacitor (Connected between AEC+ & AEC-)	50 pF to 1 μF
Cable Input Voltage Swing (Note 4)	720 to 880 mV _{pp}
DO/ \overline{DO} Minimum Voltage (Note 15)	$V_{CC}-1.6V$

Electrical Characteristics

($V_{CC} = +5V$, $V_{EE} = 0V$, signal source swing = $0.8 V_{pp}$ (Note 4), $C_{AEC} = 100$ pF)

Parameter	Conditions	Typ +25°C	Min/Max +25°C	Min/Max -40°C to +85°C	Units
DYNAMIC PERFORMANCE					
Residual Jitter					
10 meters Belden 8281	311 Mbps PRN (Note 5)	150	250	400	ps _{pp}
300 meters Belden 8281	311 Mbps PRN (Notes 3, 5)	350	500	750	ps _{pp}
Equalization Time Constant					
100 meters Belden 8281	$C_{AEC} = 100$ pF (Note 6)	1.5	—	—	μs
200 meters Belden 8281	$C_{AEC} = 100$ pF (Note 6)	2.0	—	—	μs
300 meters Belden 8281	$C_{AEC} = 100$ pF (Note 6)	3.2	—	—	μs
output rise and fall time (20%–80%)	$R_{collector} = 75\Omega$	750	—	—	ps
output duty cycle distortion		30	—	—	ps
minimum average transition density		1/50	—	—	trans/ns
maximum average data rate	150m Belden 8281 (Note 7)	650	—	—	Mbps
V_{CC} Jitter Sensitivity					
27 MHz		0.85	—	—	ns/V
270 MHz		1.90	—	—	ns/V
V_{EE} Jitter Sensitivity					
27 MHz		0.55	—	—	ns/V
270 MHz		1.45	—	—	ns/V
STATIC PERFORMANCE					
Supply Current (Includes Output Current)					
$V_{AEC} = 0V$	(Note 3)	68	48/75	40/80	mA
$V_{AEC} = 0.4V$	(Note 3)	53	43/64	37/70	mA
Input and Output Parameters					
DO/ \overline{DO} output current		10	8.7/11.3	8.0/12	mA
DO/ \overline{DO} output voltage swing	$R_{collector} = 75\Omega$ (Note 3)	750	650/850	600/900	mV
DI/ \overline{DI} common mode voltage		3.4	—	—	V
AEC differential voltage	Belden 8281	1.5	—	—	mV/meter
AEC+/AEC- common mode		3.6	—	—	V
output eye monitor (OEM) bias potential		3.2	—	—	V
Loss of Signal (LOS) current output-HIGH	LOS $V_{OH} = 4.5V$	-400	—	—	μA
Loss of Signal (LOS) current output-LOW	LOS $V_{OL} = 0.5V$	600	—	—	μA
MUT \overline{E} voltage input-HIGH	(Note 3)	1.8	2.0	2.0	V
MUT \overline{E} voltage input-LOW	(Note 3)	1.2	0.8	0.8	V

Electrical Characteristics (Continued)

($V_{CC} = +5V$, $V_{EE} = 0V$, signal source swing = $0.8 V_{pp}$ (Note 4), $C_{AEC} = 100$ pF)

Parameter	Conditions	Typ +25°C	Min/Max +25°C	Min/Max -40°C to +85°C	Units
Input and Output Parameters					
\overline{MUTE} current input-HIGH	$V_{IH} = 5V$ (Note 3)	5.0	±100	±500	nA
\overline{MUTE} current input-LOW	$V_{IL} = 0V$ (Note 3)	0.2	±100	±500	nA
TIMING PERFORMANCE					
LOS Response Time					
carrier applied	(Note 8)	150	1000	1000	ns
carrier removed	(Note 9)	150	1000	1000	ns
\overline{MUTE} response time	(Note 10)	2.0	–	–	ns
MISCELLANEOUS PERFORMANCE					
input resistance	single-ended	7.3	–	–	kΩ
input capacitance	single-ended (Note 11)	1.0	–	–	pF
input return loss @ 270 MHz	$Z_o = 75\Omega$ (Note 12)	19	–	–	dB
maximum cable attenuation	200 MHz (Note 13)	40	–	–	dB

Note 1: "Absolute Maximum Ratings" are those values beyond which the safety of the device cannot be guaranteed. They are not meant to imply that the devices should be operated at these limits. The table of "Electrical Characteristics" specifies conditions of device operation.

Note 2: Min/max ratings are based on product characterization and simulation. Individual parameters are tested as noted. Outgoing quality levels are determined from tested parameters.

Note 3: J-level: spec. is 100% tested at +25°C.

Note 4: These specifications assume an 800 mV_{pp} signal at the cable input. Levels above and below 800 mV are allowable, but performance may vary. The cable will attenuate the signal prior to entering the equalizer.

Note 5: Peak-to-peak jitter is defined as 6 times the rms jitter.

Note 6: For more information, see "CLC012 Operation" and "Design Guidelines".

Note 7: 50% eye opening.

Note 8: Time from application of a valid signal to when the LOS output asserts high.

Note 9: Time from the removal of a valid signal to when the LOS output asserts low.

Note 10: Time from assertion of \overline{MUTE} to when the output responds.

Note 11: Device only. Does not include typical pc board parasitics.

Note 12: Includes typical pc board parasitics.

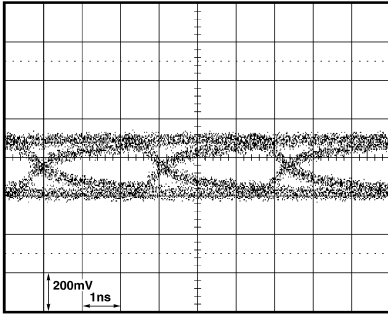
Note 13: This sets the maximum cable length for the equalizer.

Note 14: Human body model, 1.5 kΩ in series with 100 pF; based on limited test data.

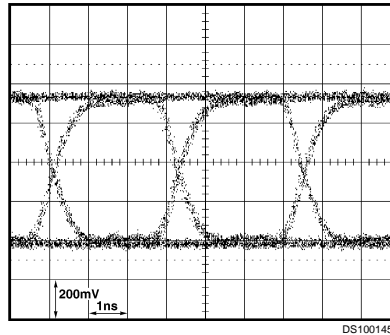
Note 15: To maintain specified performance, do not reduce DO/ \overline{DO} below this level.

Typical Performance Characteristics

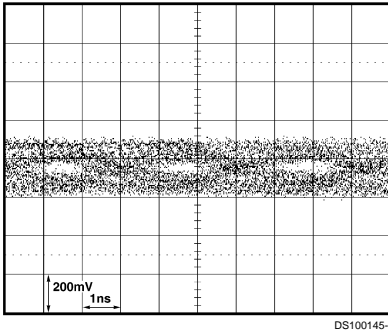
**Before Equalization: 155Mbps
50m of Belden 8281 Coaxial Cable**



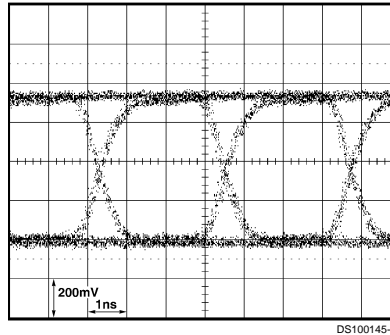
**After Equalization: 155Mbps
50m of Belden 8281 Coaxial Cable**



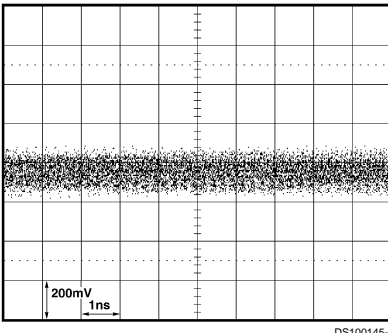
**Before Equalization: 155Mbps
100m of Belden 8281 Coaxial Cable**



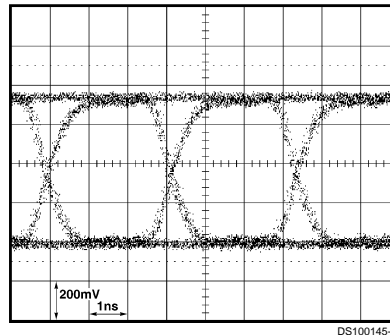
**After Equalization: 155Mbps
100m of Belden 8281 Coaxial Cable**



**Before Equalization: 155Mbps
200m of Belden 8281 Coaxial Cable**

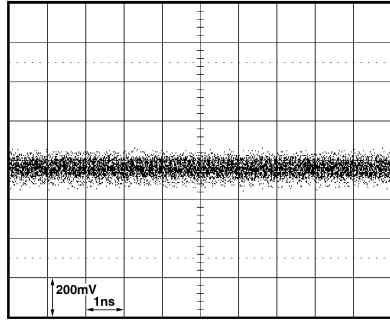


**After Equalization: 155Mbps
200m of Belden 8281 Coaxial Cable**

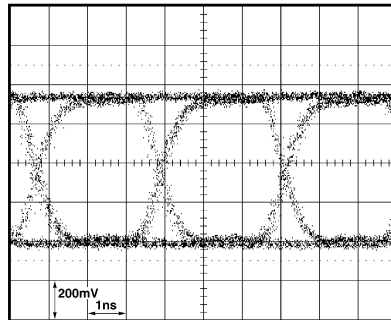


Typical Performance Characteristics (Continued)

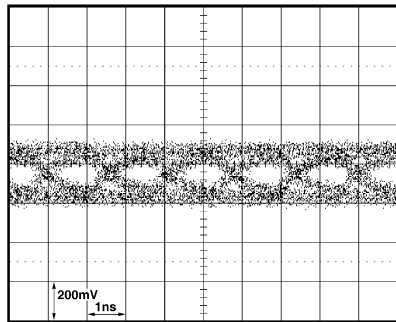
**Before Equalization: 155Mbps
300m of Belden 8281 Coaxial Cable**



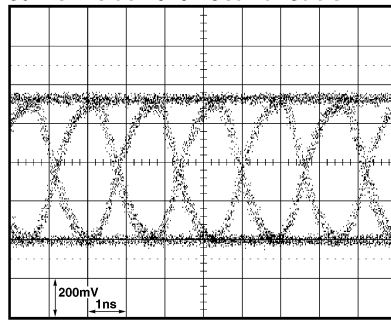
**After Equalization: 155Mbps
300m of Belden 8281 Coaxial Cable**



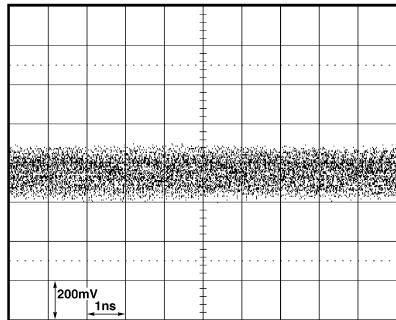
**Before Equalization: 622Mbps
50m of Belden 8281 Coaxial Cable**



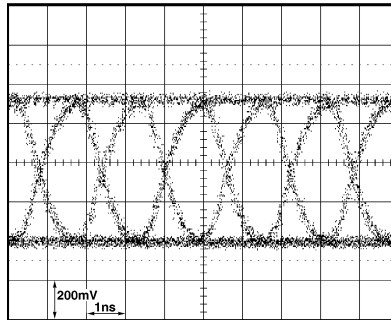
**After Equalization: 622Mbps
50m of Belden 8281 Coaxial Cable**



**Before Equalization: 622Mbps
100m of Belden 8281 Coaxial Cable**

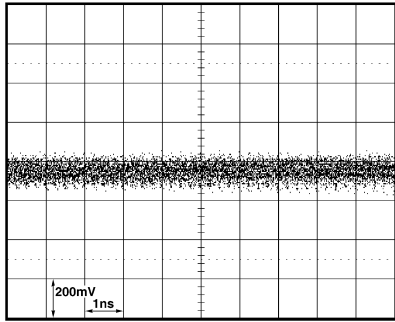


**After Equalization: 622Mbps
100m of Belden 8281 Coaxial Cable**



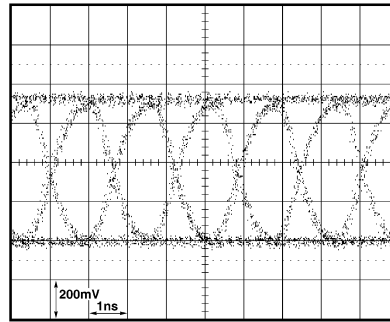
Typical Performance Characteristics (Continued)

**Before Equalization: 622Mbps
200m of Belden 8281 Coaxial Cable**



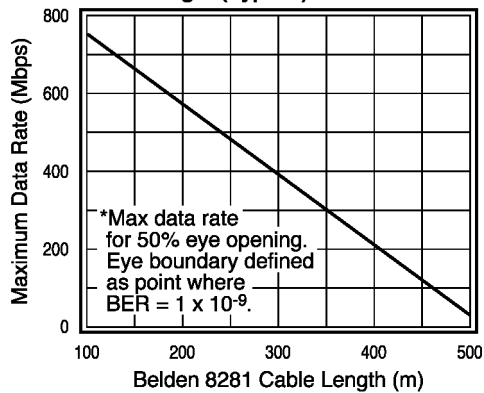
DS100145-15

**After Equalization: 622Mbps
200m of Belden 8281 Coaxial Cable**



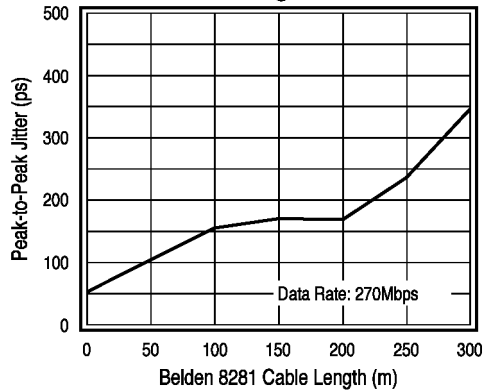
DS100145-40

**Maximum Data Rate* vs.
Cable Length (Typical)**



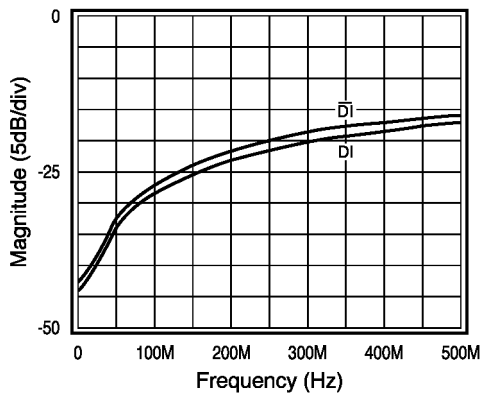
DS100145-17

Jitter vs. Cable Length



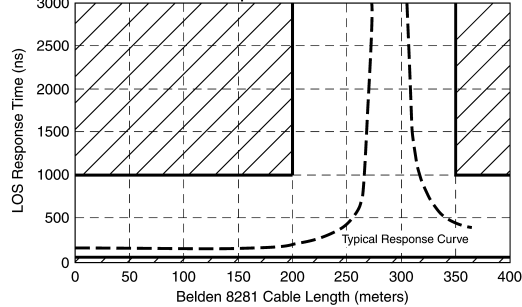
DS100145-18

Return Loss



DS100145-19

CLC012 LOS Response



DS100145-38

Pin Definitions

Name	Pin #	Description
DI, $\overline{\text{DI}}$	8, 9	Differential data inputs.
DO, $\overline{\text{DO}}$	13, 14	Differential collector data outputs (ECL compatible).
AEC+, AEC-	6, 7	AEC loop filter pins. A capacitor connected between these pins governs the loop response for the adaptive equalization loop.
OEM	3	Eye monitor output. The output of the equalization filter.
LOS	5	Loss of Signal. (Low when no signal is present).
MUTE	12	Output MUTE. (Active low.) Loss of Signal (LOS) may be tied to this pin to inhibit the output when no signal is present.
V _{CC}	1, 2, 4	Positive supply pins (ground or +5V).
V _{EE}	10, 11	Negative supply pins (-5.2V or ground).

Operation

The CLC012 Adaptive Cable Equalizer provides a complete solution for equalizing high-bit-rate digital data transmitted over long transmission lines. The following sections furnish design and application information to assist in completing a successful design:

- Block diagram explanation of the CLC012
- Recommended standard input and output interface connections
- Common applications for the CLC012
- Measurement, PC layout, and cable emulation boxes

For applications assistance in the U.S., call 800-272-9959 to contact a technical staff member.

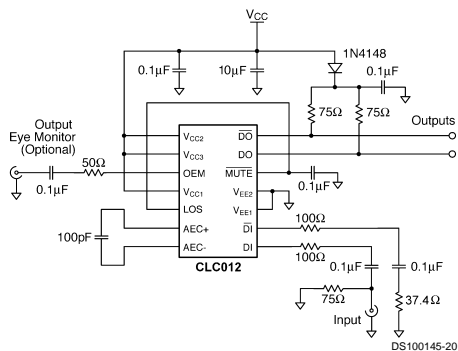


FIGURE 1. CLC012 Equalizer Application Circuit

BLOCK DESCRIPTION

The CLC012 is an adaptive equalizer that reconstructs serial digital data received from transmission lines such as coaxial cable or twisted pair. Its transfer function approximates the reciprocal of the cable loss characteristic. The block diagram in Figure 2 depicts the main signal conditioning blocks for equalizing digital data at the receiving end of a cable. The CLC012 receives baseband differential or single-ended digital signals at its inputs DI and $\overline{\text{DI}}$.

The **Equalizer** block is a two-stage adaptive filter. This filter is capable of equalizing cable lengths from zero meters to lengths that require 40 dB of boost at 200 MHz.

The **Quantized Feedback Comparator** block receives the differential signals from the equalizer filter block. This block includes two comparators. The first comparator incorporates a self-biasing DC restore circuit. This is followed by a second high-speed comparator with output mute capability. The second comparator receives and slices the DC-restored data. Its outputs DO and $\overline{\text{DO}}$ are taken from the collectors of the output transistors. MUTE latches DO and $\overline{\text{DO}}$ when a TTL logic low level is applied.

The **Adaptive Servo Control** block produces the signal for controlling the filter block, and outputs a voltage proportional to cable length. It receives differential signals from the output of the filter block and from the quantized-feedback comparator (QFBC) to develop the control signal. The servo loop response is controlled by an external capacitor placed across the AEC+ and AEC- pins. Its output voltage, as measured differentially across AEC+ and AEC-, is roughly proportional to the length of the transmission line. For Belden 8281 coaxial cable this differential voltage is about 1.5 mV/meter. Once this voltage exceeds 500 mV, no additional equalization is provided.

The **Loss of Signal (LOS)** block monitors the signal power out of the equalizing filter and compares it to an internal reference to determine if a valid signal is present. A CMOS high output indicates that data is present. The output of LOS can be connected to the MUTE input to automatically latch the outputs (DO and $\overline{\text{DO}}$), preventing random transitions when no data is present.

The **Output Eye Monitor (OEM)** provides a single-ended buffered output for observing the equalized eye pattern. The OEM output is a low impedance high-speed voltage driver capable of driving an AC-coupled 100Ω load.

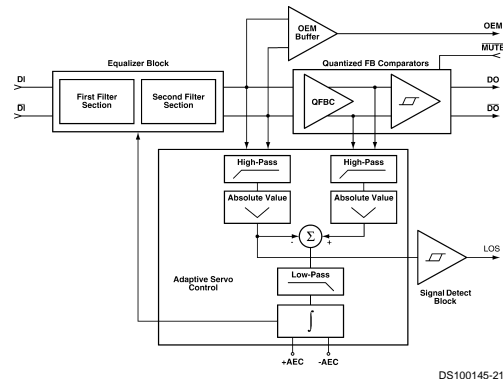


FIGURE 2. CLC012 Block Diagram

Input Interfacing

The CLC012 accepts either differential or single-ended input voltage specified in **Static Performance**. The following sections show several suggestions for interfaces for the inputs and outputs of the CLC012.

SINGLE-ENDED INPUT INTERFACE: 75Ω Coaxial Cable

The input is connected single-ended to either DI or $\overline{\text{DI}}$ as shown in Figure 3. Balancing unused inputs helps to lessen the effects of noise. Use the equivalent termination of 37.4Ω to balance the input impedance seen by each pin. It also helps to terminate grounds at a common point. Resistors R_x and R_y are recommended for optimum performance. The equalizer inputs are self-biasing. Signals should be AC coupled to the inputs as shown in Figure 3.

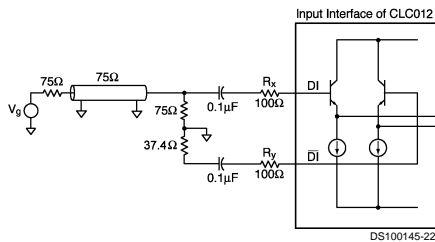


FIGURE 3. Single-Ended 75Ω Cable Input Interface

DIFFERENTIAL INPUT INTERFACE: Twisted Pair

A recommended differential input interface is shown in Figure 4. Proper voltage levels must be furnished to the input pins and the proper cable terminating impedance must be provided. For Category 5 UTP this is approximately 100Ω. Figure 4 shows a generalized network which may be used to receive data over a twisted pair. Resistors R_1 and R_2 provide the proper terminating impedance and signal level adjustment. The blocking capacitors provide AC coupling of the attenuated signal levels. The plots in the **Typical Performance Characteristics** section demonstrate various equalized data rates using Category 5 UTP at 100 meter lengths. A full schematic of a recommended driver and receiver circuit for 100Ω Category 5 UTP is provided in the **Typical Applications** section with further explanation.

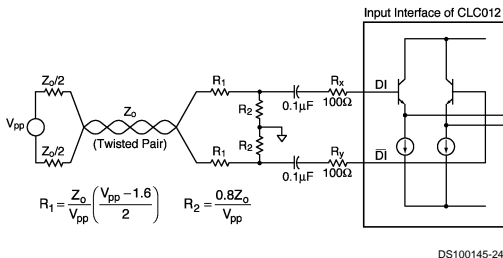


FIGURE 4. Twisted Pair Input Interface

Output Interfacing

The outputs DO and $\overline{\text{DO}}$ produce ECL logic levels when the recommended output termination networks are used. The DO and $\overline{\text{DO}}$ pins are **not complementary emitter coupled logic** outputs. Instead, the outputs are taken off of the collectors of the transistors. Therefore, care must be taken to meet

the interface threshold levels required by ECL families. Recommended interfaces for standard ECL families are shown in the following circuits.

DIFFERENTIAL LOAD-TERMINATED OUTPUT INTERFACE

Figure 5 shows a recommended circuit for implementing a differential output that is terminated at the load. A diode or 75Ω resistor provides a voltage drop from the positive supply (+5V for PECL or Ground for ECL operation) to establish proper ECL levels. The resistors terminate the cable to the characteristic impedance. The output voltage swing is determined by the CLC012 output current (10 mA) times the termination resistor. For the circuit in Figure 5, the nominal output voltage swing is 750 mV.

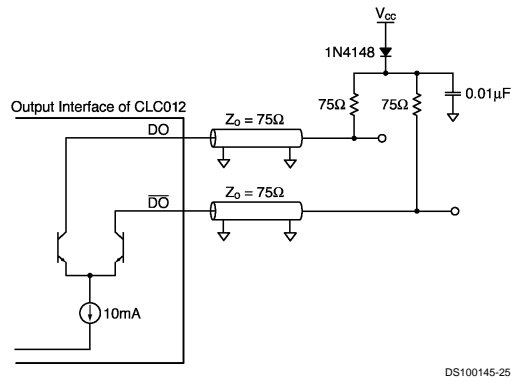


FIGURE 5. Differential Load Terminated Output Interface

DIFFERENTIAL SOURCE-TERMINATED OUTPUT INTERFACE

Figure 6 is similar to Figure 5 except that the termination is provided at the source. This configuration may also be used for single-ended applications. However, the unused output must still be terminated as shown.

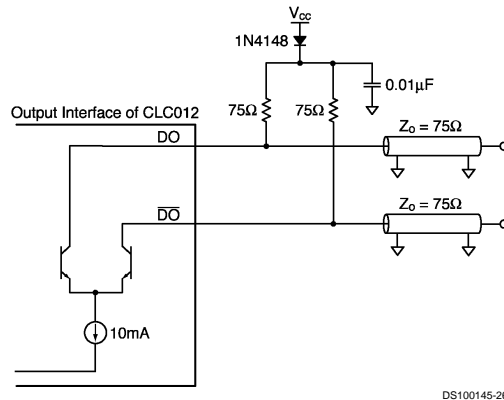


FIGURE 6. Differential Source Terminated Output Interface

Output Interfacing (Continued)

TERMINATING PHYSICALLY SEPARATED OUTPUTS

When the two outputs must be routed to physically separate locations, the circuit in *Figure 6* may be applied. Alternatively, if load termination is desired, the circuit in *Figure 7* may be used. The resistive divider network provides 75Ω termination and establishes proper ECL levels. This circuit consumes slightly more power than the previous circuits.

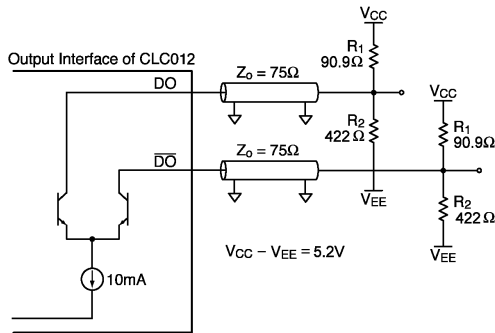


FIGURE 7. Alternative Load Terminated Output Interface

Design Guidelines

SELECTING THE AUTOMATIC EQUALIZER CAPACITOR

The AEC capacitor sets the loop time constant τ for the equalizer's adaptive loop response time. The following formula is used to set the loop time constant:

$$\tau = R \cdot C_{AEC} \cdot 10^{-6}$$

R is a conversion factor that is set by internal equalizer parameters and cable length. For Belden 8281 coaxial cable, the R values are ($\tau = \mu\text{s}$, C_{AEC} in pF):

Cable Length	R Value (Ohms)
100 meters	15000
200 meters	20000
300 meters	32000

For example, a C_{AEC} value of 100 pF results in an adaptive loop time constant of 2 μs at 200 meters of cable.

CONNECTION AND OPERATION OF LOS AND MUTE

Loss of Signal (LOS) is a CMOS output that indicates the presence of equalized data from the filter. This LOS output can be connected to **MUTE** to suspend changes in the data outputs DO and D0, if no valid signal exists. This simple configuration prevents random output transitions due to noise. For sparse transition patterns it is recommended that a capacitor be connected to LOS as shown in *Figure 1*.

Add a capacitor to pin 5 to slow the response time of Loss of Signal when LOS is connected to **MUTE**. The capacitor reduces sensitivity to pathological patterns. Pathological patterns are defined as sparse data sequences with few transitions.

OUTPUT EYE MONITOR OEM CONNECTIONS

The OEM is a high-speed, buffered output for monitoring the equalized eye pattern prior to the output comparator. Its output is designed to drive an AC-coupled 50Ω coaxial cable with a series 50Ω backmatch resistor. The cable should be terminated with 50Ω at the oscilloscope. *Figure 1* shows a schematic with a typical connection.

MINIMUM DATA TRANSITIONS

The CLC012 specifies a minimum transition rate. For the CLC012 this sets the minimum data rate for transmitting data through any cable medium. The CLC012 minimum average transition density is found in the Electrical Characteristics section of the datasheet.

POWER SUPPLY OPERATION AND THERMAL CONSIDERATIONS

The CLC012 operates from either +5V or -5.2V single supplies. Refer to *Figure 1* when operating the part from +5V. When operating with a -5.2V supply, the V_{EE} pins should be bypassed to ground. The evaluation board and associated literature provide for operation from either supply.

Maximum power dissipation occurs at minimum cable length. Under that condition, $I_{CC} = 58 \text{ mA}$.

Total power dissipated:

$$P_T = (58 \text{ mA})(5V) = 290 \text{ mW}$$

Power in the load:

$$P_L = (0.7V)(11 \text{ mA}) + (37.5)(11 \text{ mA})^2 = 12 \text{ mW}$$

Maximum power dissipated on the die:

$$P_{DMAX} = P_T - P_L = 278 \text{ mW}$$

Junction Temperature =

$$(\theta_{JA})(278 \text{ mW}) + T_A = T_A + 26^\circ\text{C}$$

Layout and Measurement

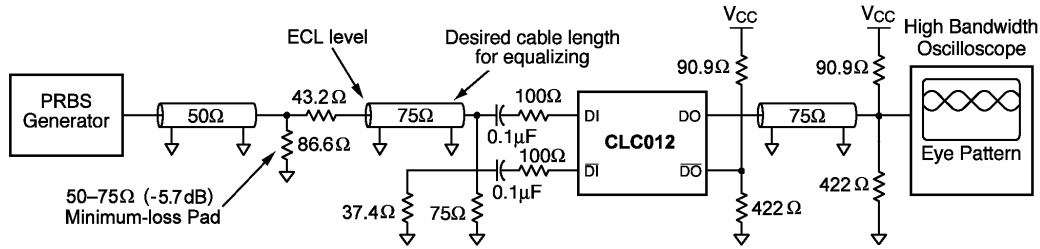
The printed circuit board layout for the CLC012 requires proper high-speed layout to achieve the performance specifications found in the datasheet. The following list contains a few rules to follow:

1. Use a ground plane.
2. Decouple power pins with 0.1 μF capacitors placed $\leq 0.1"$ (3mm) from the power pins.
3. Design transmission strip lines from the CLC012's input and output pins to the board connectors.
4. Route outputs away from inputs.
5. Keep ground plane $\geq 0.025"$ (0.06mm) away from the input and output pads.

Figure 8 shows a block level measurement diagram, while *Figure 15* on depicts a detailed schematic. A pseudo-random pattern generator with low output jitter was used to provide a NRZI pattern to create the eye diagrams shown in the **Typical Performance Characteristics** section.

Since most pattern generators have a 50Ω output impedance, a translation can be accomplished using a CLC005 Cable Driver as an impedance transformer. A wide bandwidth oscilloscope is needed to observe the high data rate eye pattern. When monitoring a single output that is terminated at both the equalizer output and the oscilloscope, the effective output load is 37.4Ω. Consequently, the signal swing is half that observed for a single-ended 75Ω termination.

Layout and Measurement (Continued)



DS100145-28

FIGURE 8. Typical Measurement Block

Troubleshooting with scope probes can affect the equalization. For high data rates, use a **low capacitance probe** with less than 2 pF probe capacitance. Evaluation boards and literature are available for quick prototyping and evaluation of the CLC012 Adaptive Cable Equalizer. The CLC012 contains CMOS devices and operators should **use grounding straps when handling** the parts.

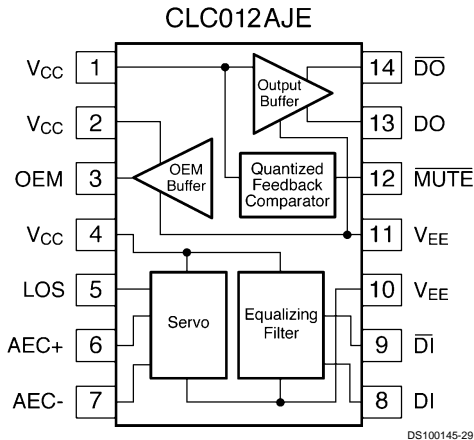
Figure 9 shows the CLC012's internal power supply routing. Bypass V_{CC} (pin 4) by:

- Monolithic capacitor of about 0.1 μF placed less than 0.1" (3mm) from the pin
- Tantalum capacitor of about 6.8 μF for large current signal swings placed as close as convenient to the CLC012

The input lines of the CLC012 use a 100 Ω series resistors at the input pins. This decreases the inductive effects internal to the part to reduce ringing on fast rise and fall times. Refer to the evaluation board layout for further suggestions on layout for the CLC012 Adaptive Equalizer.

EQUALIZATION CURVE

The CLC012 Adaptive Cable Equalizer has a maximum equalization response as shown in Figure 10. This response may be obtained by forcing >0.5V differentially at the AEC pins.



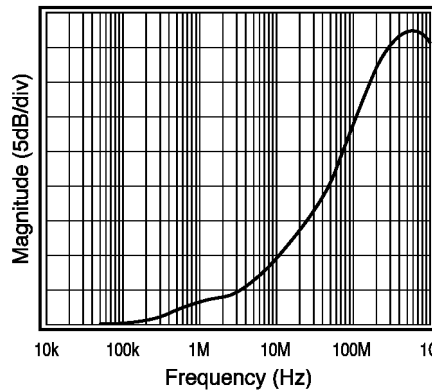
DS100145-29

FIGURE 9. Power Package Routing Fixture

To minimize ringing at the CLC012's inputs, place a 100 Ω resistor in series with the input. This resistor reduces inductance effects.

Several layout techniques can improve high speed performance:

- Keep input, output and AEC traces well separated
- Use balanced input termination's
- Avoid routing traces close to the CLC012's input trace
- Maintain common return points for components
- Use guard traces



DS100145-30

FIGURE 10. Maximum Equalization Response

CABLE EMULATION BOXES

Some cable emulation boxes will not mimic cables correctly. When evaluating the CLC012, it is strongly recommended that actual cable be used to determine the various performance parameters.

Typical Applications

COAXIAL CABLE RECEIVER (Page 1)

The CLC012 equalizer application shown on page 1 will equalize a variety of coaxial cables up to lengths that attenuate the signal by 40 dB at 200 MHz. The application shows the proper connection for a single cable driven with a

Typical Applications (Continued)

CLC005 driver. Loss of Signal (LOS) is connected to $\overline{\text{MUTE}}$ to latch outputs DO and $\overline{\text{DO}}$ in the absence of an input signal to the equalizer.

Refer to the CLC012's evaluation board layout for additional suggestions.

National can supply most of the major components required to design a transmission line repeater. Figure 11 shows a typical repeater design using the CLC005, CLC012, and the CLC016. The design functions supported by each chip are:

CLC005: Cable connection chip

Boosts drive for transmission to next repeater or final destinations

CLC012: Receive serialized digital data from incoming transmission lines

Equalizes the incoming data

CLC016: Retimes the equalized data (improving jitter)

The CLC016 is a multi-rate data retiming PLL. The circuit (Figure 11) will work at up to 4 different data rates with no additional components or manual tuning.

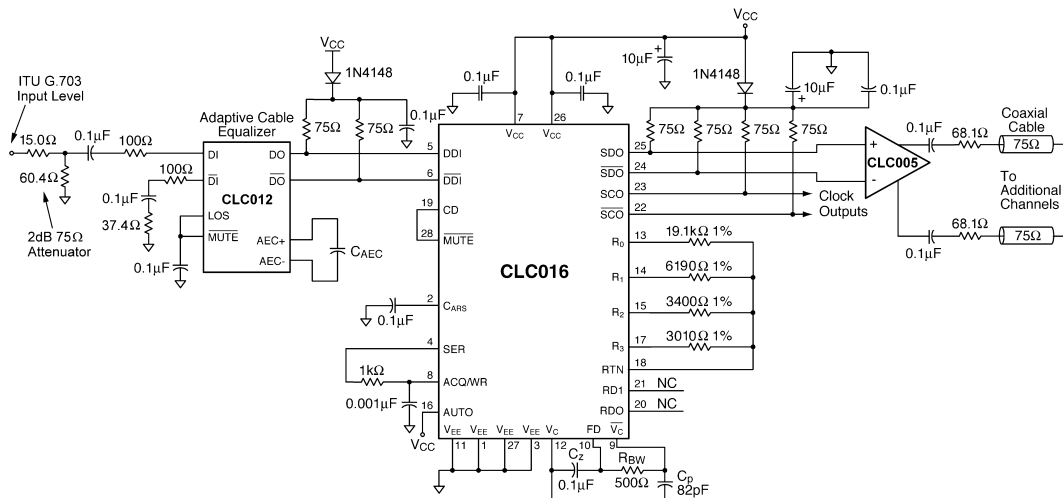


FIGURE 11. Typical Repeater Design

DS100145-31

DIGITAL VIDEO (SDV) ROUTERS

The CLC012 provides performance that complies with the ITU-T G.703 standard for serial digital data transmission over coaxial cable. One common application is in routers, which provide a switching matrix for connecting source equipment to destination equipment.

Figure 12 shows a typical configuration for a router, including equalizers, a crosspoint switch, data retimers, and cable drivers. The CLC012 is used in its standard configuration in this application, and automatically equalizes cable lengths from zero meters to greater than 300 meters at 360 MHz (see plots in **Typical Performance Characteristics** section). The equalized outputs are connected to the differential inputs of the crosspoint switch. The CLC016 Data Retimer receives the data from the crosspoint and performs the clock and data recovery functions, further reducing jitter. Finally, the retimed data is driven into the coaxial cable by a CLC005 ITU-T G.703 Cable Driver (with two amplitude-adjustable outputs).

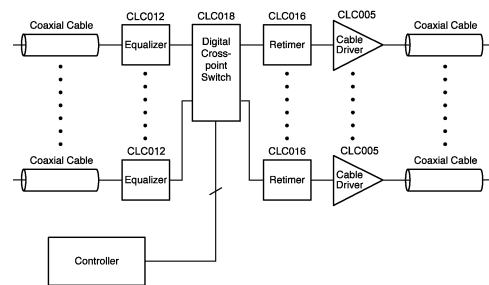


FIGURE 12. Data Routing Block Diagram

DS100145-32

TWISTED PAIR DRIVER

A low-cost medium for transmitting data is twisted pair. Category 5 UTP has an attenuation characteristic similar to Belden 8281 coaxial cable but scaled in length: 120 meters of Category 5 UTP is roughly equivalent to 300 meters of Belden 8281 cable. When properly implemented, the CLC012 will equalize data rates up to 625 Mbps over Category 5 UTP. The maximum data rate depends upon the cable length. A plot of Maximum Data Rate vs Cable Length

Typical Applications (Continued)

is found in the **Typical Performance Characteristics** section for Belden 8281, and can be scaled as stated above to estimate maximum cable lengths and data rates for UTP.

Category 5 UTP has a characteristic impedance of approximately 100Ω . The CLC005 in Figure 13 is used to drive the twisted pair AC-coupled with a series $0.1\mu\text{F}$ capacitor and a 50Ω resistor in each differential output. The CLC012 Adaptive Equalizer requires $800\text{ mV}_{\text{pp}}$ from the transmit side of the cable. A voltage divider is necessary to scale the voltage to the required level at the input of the CLC012. This resistor network also provides the correct impedance match for twisted pair.

For Category 5 UTP, the approximate AEC voltage per length is 3.75 mV/m (see **Block Description**). The CLC005

provides a trim adjust for fine tuning the output signal with the resistor R. Refer to the CLC005 datasheet for tuning directions.

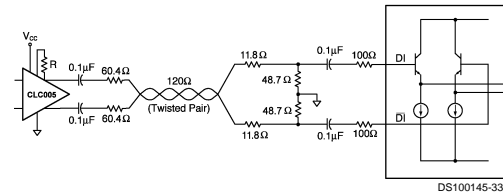


FIGURE 13. Twisted Pair Equalization

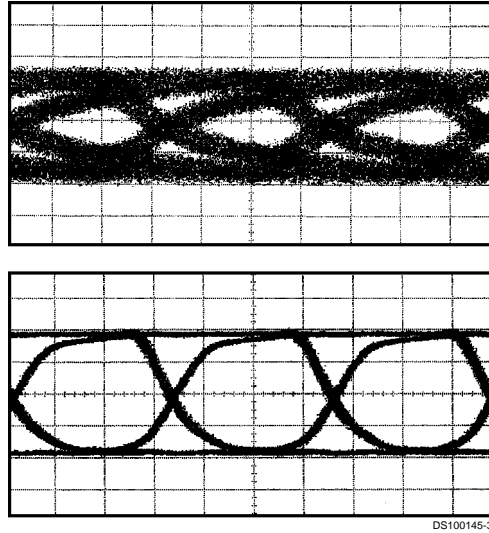


FIGURE 14. Before and After Equalization at 622 Mbps Through 50 Meters of Category 5 UTP

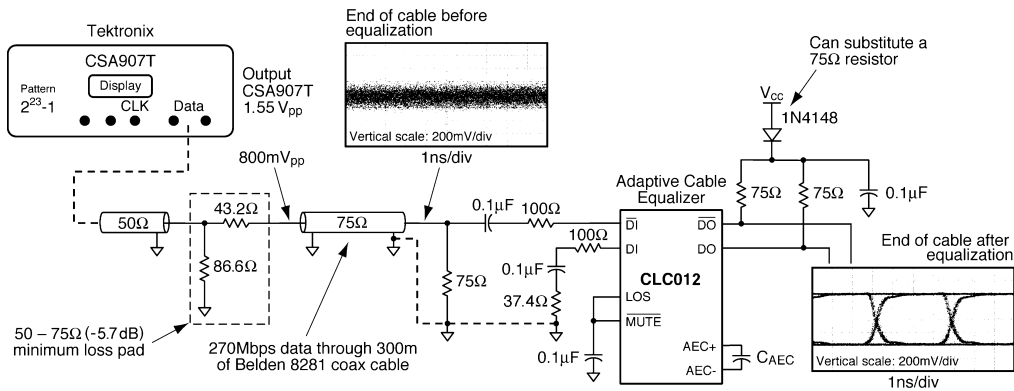


FIGURE 15. Typical Measurement Setup

Evaluation Board

An evaluation board layout and schematic are shown on the following pages. The artwork shows the board solder masks, trace layers, and ground plane. To order an evaluation board contact your local sales representative or National support center and request part number CLC730063.

The evaluation board provides an LED and switches to operate the CLC012 in various modes of operation. The power

supplies, which must be correctly connected and jumpered for positive or negative voltage operation, are identified on the printed board silk screen. Insert all tantalum capacitors as shown in the schematic or silk screen. A complete bill of materials is given in the accompanying table.

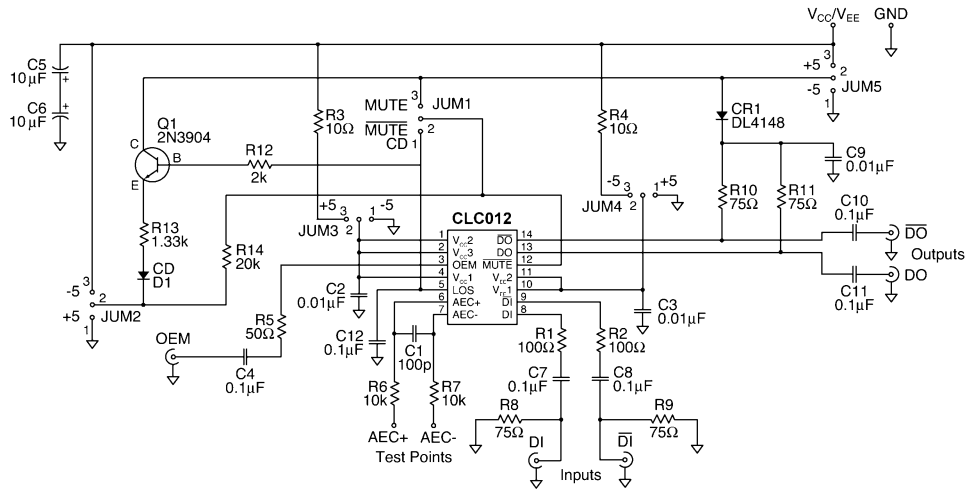


FIGURE 16. Evaluation Board Schematic

DS100145-36

Evaluation Board (Continued)

CLC012 Equalizer Evaluation Board

Item	Reference Designator	Description	Quantity
1	Q1	2N3904 transistor	1
2	CR1	1N4148 switching diode	1
3	J1, J2, J3, J4, J5	receptacle vertical BNC PC Amphenol #31-5329-52RFX	5
4	J6	banana jack, black, EF Johnson #108-0903-001	1
5	J7	banana jack, red, EF Johnson #108-0902-001	1
6	R6, R7	10 k Ω , 1/8W, 1206, 1% chip resistors	2
7	R8, R9, R10, R11	75 Ω , 1/8W, 1206, 1% chip resistors	4
8	R13	1.33 k Ω , 1/8W, 1206, 1% chip resistors	1
9	R3, R4	10 Ω , 1/8W, 1206, 1% chip resistors	2
10	R1, R2	100 Ω , 1/8W, 1206, 1% chip resistors	2
11	R14	20 k Ω , 1/8W, 1206, 1% chip resistors	1
12	R12	2 k Ω , 1/8W, 1206, 1% chip resistors	1
13	R5	49.9 Ω , 1/8W, 1206, 1% chip resistors	1
14	C2, C3, C9, C12	0.01 μ Fd, 10% X7R surface mount cap	3
15	C4, C7, C8, C10, C11	0.1 μ Fd, 10% X7R surface mount cap	5
16	C1	100 pFd, 5% NPO surface mount cap	1
17	C5, C6	10 μ Fd, 16V tantalum capacitor	2
18		CLC730063 printed circuit board	1
19	U1	CLC012AJE	1
20	D1	LED, GENERAL PURPOSE	1

LAYOUT

The CLC012 requires proper high-speed layout techniques to obtain best results. A few recommended layout rules to follow for best results when using the CLC012 Adaptive Cable Equalizer are:

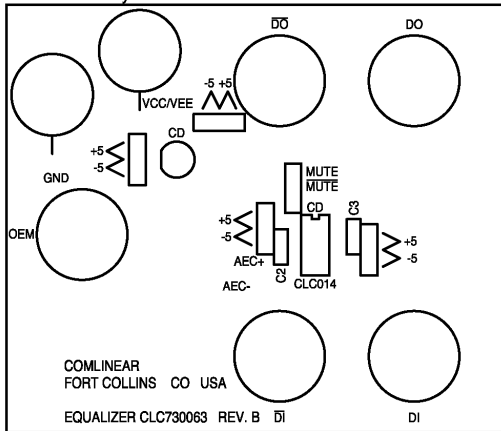
1. Use a ground plane.
2. Decouple power pins with 0.01 μ F capacitors placed ≤ 0.1 " (3mm) from the power pins.
3. Design transmission lines to the inputs and outputs.
4. Route outputs away from inputs.
5. Remove ground plane ≥ 0.025 " (0.06mm) from the input and output pads.

The solder masks with component locations, trace layer, and ground plane board layer are given below.

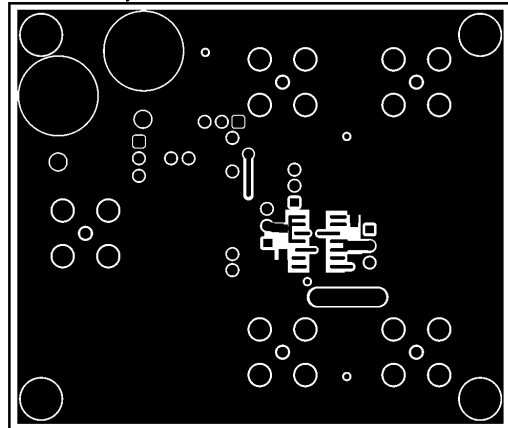
Note that the CLC012 uses the same Evaluation Board as the CLC014. LOS is labeled CD on the Evaluation Board.

Evaluation Board (Continued)

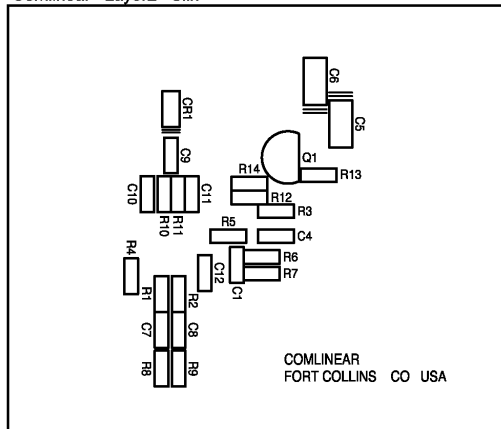
Comlinear Layer1 Silk



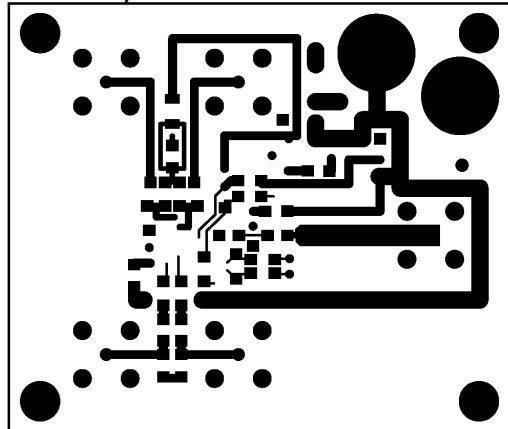
Comlinear Layer1



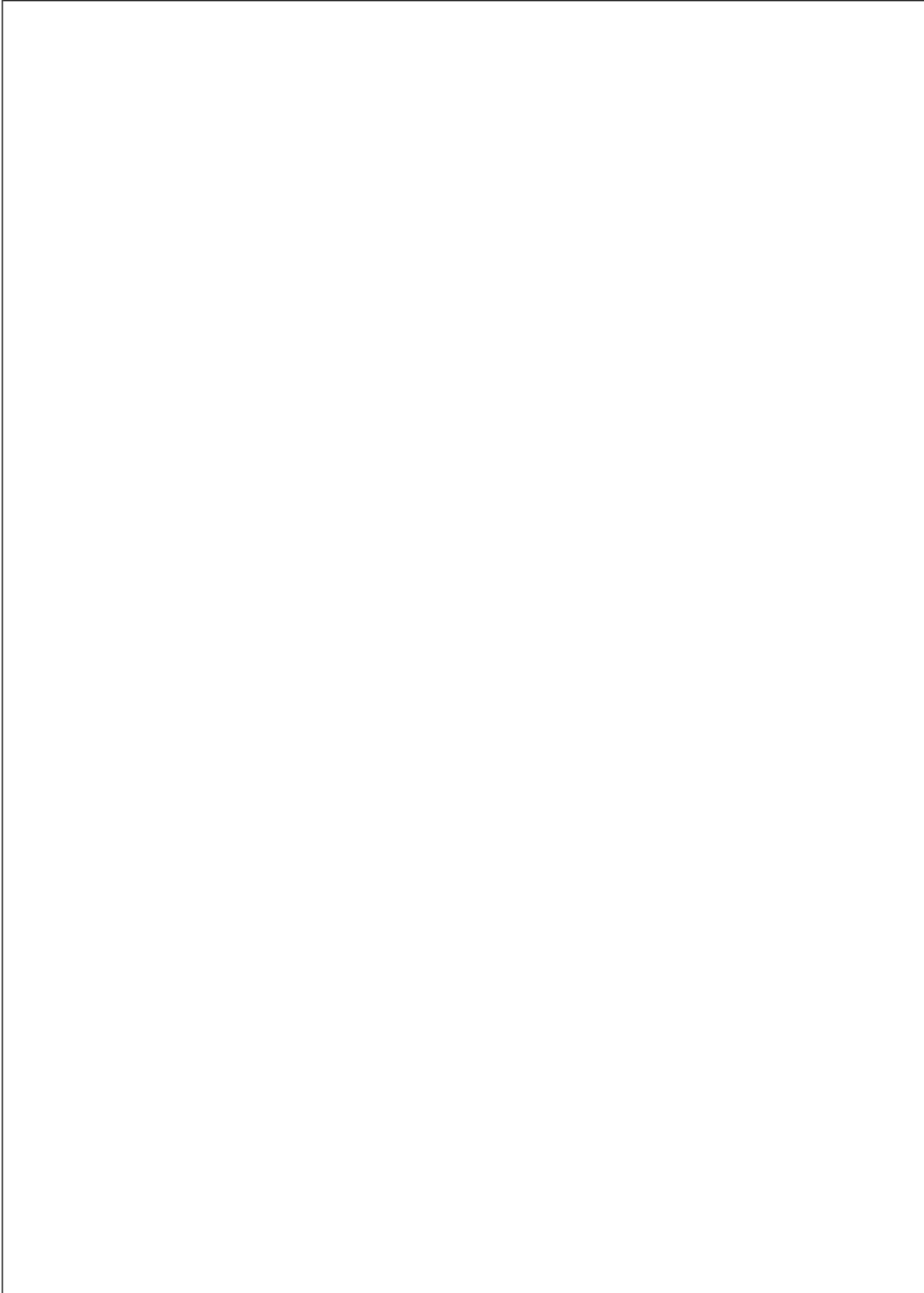
Comlinear Layer2 Silk



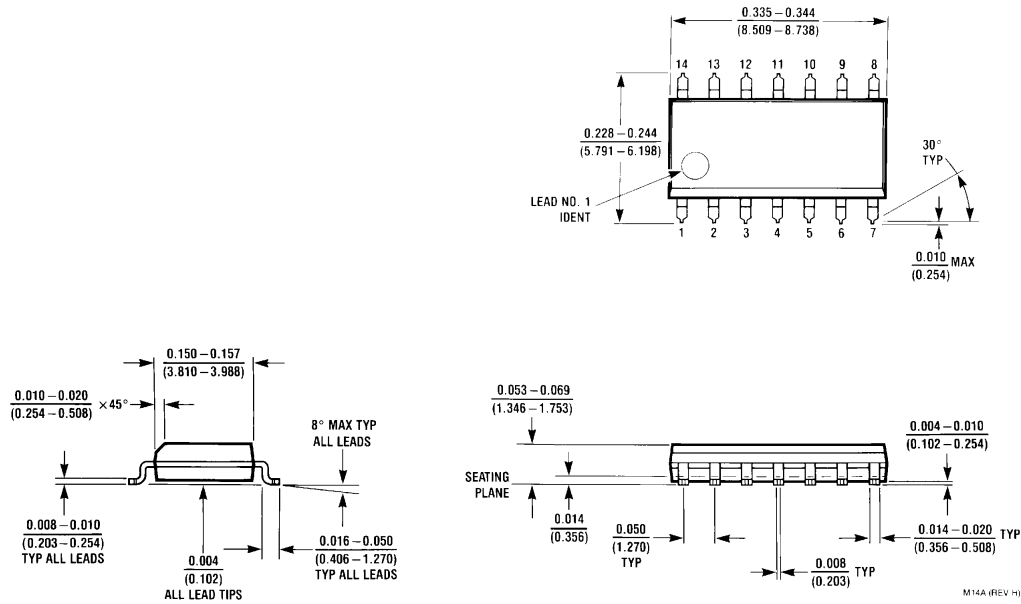
Comlinear Layer2



DS100145-37



Physical Dimensions inches (millimeters) unless otherwise noted




14-Pin SOIC
 Order Number CLC012AJE
 NS Package Number M14A

LIFE SUPPORT POLICY

NATIONAL'S PRODUCTS ARE NOT AUTHORIZED FOR USE AS CRITICAL COMPONENTS IN LIFE SUPPORT DEVICES OR SYSTEMS WITHOUT THE EXPRESS WRITTEN APPROVAL OF THE PRESIDENT OF NATIONAL SEMICONDUCTOR CORPORATION. As used herein:

1. Life support devices or systems are devices or systems which, (a) are intended for surgical implant into the body, or (b) support or sustain life, and whose failure to perform when properly used in accordance with instructions for use provided in the labeling, can be reasonably expected to result in a significant injury to the user.
2. A critical component in any component of a life support device or system whose failure to perform can be reasonably expected to cause the failure of the life support device or system, or to affect its safety or effectiveness.

 **National Semiconductor Corporation**
 Americas
 Tel: 1-800-272-9959
 Fax: 1-800-737-7018
 Email: support@nsc.com

www.national.com

National Semiconductor Europe
 Fax: +49 (0) 1 80-530 85 86
 Email: europe.support@nsc.com
 Deutsch Tel: +49 (0) 1 80-530 85 85
 English Tel: +49 (0) 1 80-532 78 32
 Français Tel: +49 (0) 1 80-532 93 58
 Italiano Tel: +49 (0) 1 80-534 16 80

National Semiconductor Asia Pacific Customer Response Group
 Tel: 65-2544466
 Fax: 65-2504466
 Email: sea.support@nsc.com

National Semiconductor Japan Ltd.
 Tel: 81-3-5620-6175
 Fax: 81-3-5620-6179