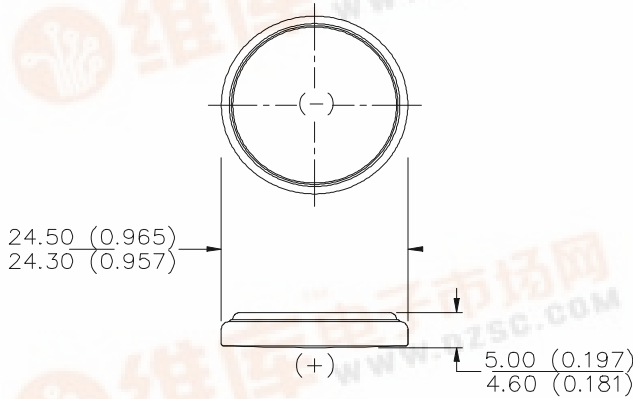


EVEREADY BATTERY CO. 1-800-383-7323 / USA  
 Internet: www.energizer.com 1-800-383-7323 / CANADA  
 + 44 (0) 208 920 2306 / EUROPE

**ENERGIZER NO. CR2450**



Industry Standard Dimensions in mm (inches)

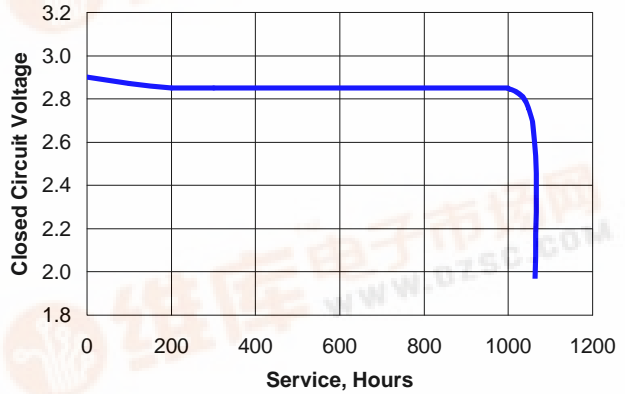


**Chemical System:** Lithium / Manganese Dioxide (Li/MnO<sub>2</sub>)

**Battery Voltage:** 3.0 Volts  
**Average Weight:** 6.9 grams (0.24 oz.)  
**Volume:** 2.4 cubic centimeters (0.14 cubic inch)  
**Average Capacity:** 575 mAh to 2.0 volts  
 (Rated at 5.1k ohms continuous at 21°C)

**Maximum Reverse Charge Current:** 1 microampere  
**Energy Density:** 183 milliwatt hr/g, 647 milliwatt hr/cc

**TYPICAL DISCHARGE CURVE**  
 Simulated Test @ 21°C (70°F)



**Simulated Application Test**  
 Estimated Average Service at 21°C (70°F)

Schedule:	Typical Drains at 2.9V (microamperes)	Load (ohms)	Cutoff Voltage
			2.0V
24 hours/day	568	5,100	1,060 Hours

**Important Notice**

This data sheet contains information specific to batteries manufactured at the time of its publication.

**Contents herein do not constitute a warranty.**

Copyright © Eveready Battery Co. Inc. - All Rights Reserved

