



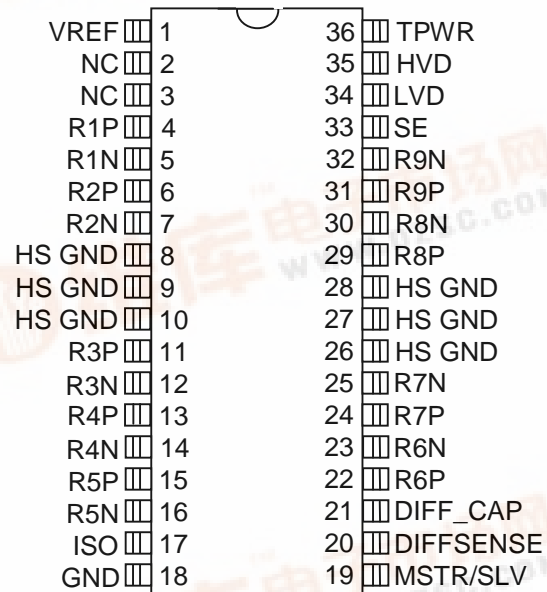
DS2117M Ultra3 LVD/SE SCSI Terminator

www.dalsemi.com

FEATURES

- Fully compliant with Ultra2, Ultra3, and Ultra 160/m SCSI
- Provides Multimode Low Voltage Differential/Single-Ended (LVD/SE) termination for 9 signal line pairs
- Auto-selection of LVD or SE termination
- 5% tolerance on SE and LVD termination resistance
- Low power down capacitance of 3 pF
- Onboard thermal shutdown circuitry
- SCSI bus hot plug compatible
- Fully supports actively negated SE SCSI signals

PIN ASSIGNMENT



DS2117MB 36-Pin SSOP

DESCRIPTION

The DS2117M Ultra3 LVD/SE SCSI Terminator is both a Low Voltage Differential (LVD) and Single-Ended (SE) terminator. The multimode operation enables the designer to implement LVD in current products while allowing the end-user SE backward compatibility with legacy devices. If the device is connected in an LVD-only bus, the DS2117M will use LVD termination. If any SE devices are connected to the bus, the DS2117M will use SE termination. This is accomplished automatically inside the part by sensing the voltage on the SCSI bus DIFFSENS line.

For the LVD termination, the DS2117M integrates two current sources with nine precision resistor strings. For the SE termination, one regulator and nine precision 110-ohm resistors are used. Three DS2117M terminators are needed for a wide SCSI bus.



REFERENCE DOCUMENTS

| | | |
|---|-----------------------------------|-----------------------|
| Small Computer Systems Interface (SCSI-3) | SCSI Parallel Interface (SPI) | Project: 0855-M, 1995 |
| Small Computer Systems Interface (SCSI-3) | SCSI Parallel Interface 2 (SPI-2) | Project: 1142-M, 1998 |
| Small Computer Systems Interface (SCSI-3) | SCSI Parallel Interface 3 (SPI-3) | Project: 1302-D, 1999 |
| Small Computer Systems Interface (SCSI-3) | SCSI Parallel Interface 4 (SPI-4) | Project: 1365-D, xxxx |

Available from:

American National Standards Institute (ANSI) Phone: (212) 642-4900

Global Engineering Documents 15 Inverness Way East; Englewood, CO 80112 Phone: (800) 854-7179

FUNCTIONAL DESCRIPTION

The DS2117 combines LVD and SE termination with DIFFSENSE sourcing and detection.

A bandgap reference is fed into two amplifiers, which creates a 1.25V reference voltage and a 2.85V reference voltage. The control logic determines which of these references will be applied to the termination resistors. If the SCSI bus is in LVD mode, then the 1.25V reference will be used. If the SCSI bus is in SE mode, then the 2.85V reference will be used. That same control logic will switch in/out parallel resistors to change the total termination resistance accordingly. Finally, in SE mode the Rp pins will be switched to ground.

The DIFFSENSE circuitry decodes trinary logic. There will be one of three voltages on the SCSI control line called DIFFSENS. Two comparators and a NAND gate determine if the voltage is below 0.6V, above 2.15V, or in between. That indicates the mode of the bus to be HVD, SE, or LVD, respectively.

The DS2117M's DIFF_CAP pin monitors the DIFFSENS line to determine the proper operating mode of the device; this mode is indicated by the SE/LVD/HVD outputs. The DIFFSENSE pin can also drive the SCSI DIFFSENS line (when MSTR/SLV = 1) to determine the SCSI bus operating mode. The DS2117M switches to the termination mode that is appropriate for the bus based on the value of the DIFFSENS voltage. These modes are:

LVD mode LVD termination is provided by a precision laser trimmed resistor string with two current sources. This configuration yields a 105Ω differential and 150Ω common mode impedance. A fail-safe bias of 112 mV is maintained when no drivers are connected to the SCSI bus.

SE mode When the external driver for a given signal line turns off, the active terminator will pull that signal line to 2.85 volts (quiescent state). When used with an active negation driver, the power amp can sink 22 mA per line while keeping the voltage reference in regulation. The terminating resistors maintain their 110Ω value.

HVD Isolation Mode The DS2117M identifies that there is an HVD (high voltage differential) device on the SCSI bus and isolates the termination pins from the bus.

When ISO is pulled high, the termination pins are isolated from the SCSI bus, Vref is grounded, and the bus mode indicators (SE/LVD/HVD) remain active. During thermal shutdown, the termination pins are isolated from the SCSI bus, Vref is grounded, and the bus mode indicators (SE/LVD/HVD) remain active. The DIFFSENSE driver is shut down during either of these two events.

To ensure proper operation, the TPWR pin should be connected to the SCSI bus TERMPWR line. As with all analog circuitry, the TERMPWR and VDD lines should be bypassed locally. A 2.2 μF capacitor and a 0.01 μF high frequency capacitor is recommended between TPWR and ground and placed as close as possible to the DS2117M. The DS2117M should be placed as close as possible to the SCSI connector to minimize signal and power trace length, thereby resulting in less input capacitance and reflections which can degrade the bus signals.

To maintain the specified regulation, a 4.7 μF capacitor is required between the Vref pin (VREF) and ground of each DS2117M. A high frequency cap (0.1 μF ceramic recommended) can also be placed on the Vref pin in applications that use fast rise/fall time drivers. A typical SCSI bus configuration is shown in Figure 2.

DIFFSENS noise filtering The DS2117M incorporates a digital filter to remove high frequency transients on the DIFFSENS control line, thereby eliminating erroneous switching between modes. This filter eliminates the need for the external capacitor and resistor, which heretofore performed this function. The external filter may be used in addition to the digital filter if the DS2117M and DS2118M are to be used interchangeably.

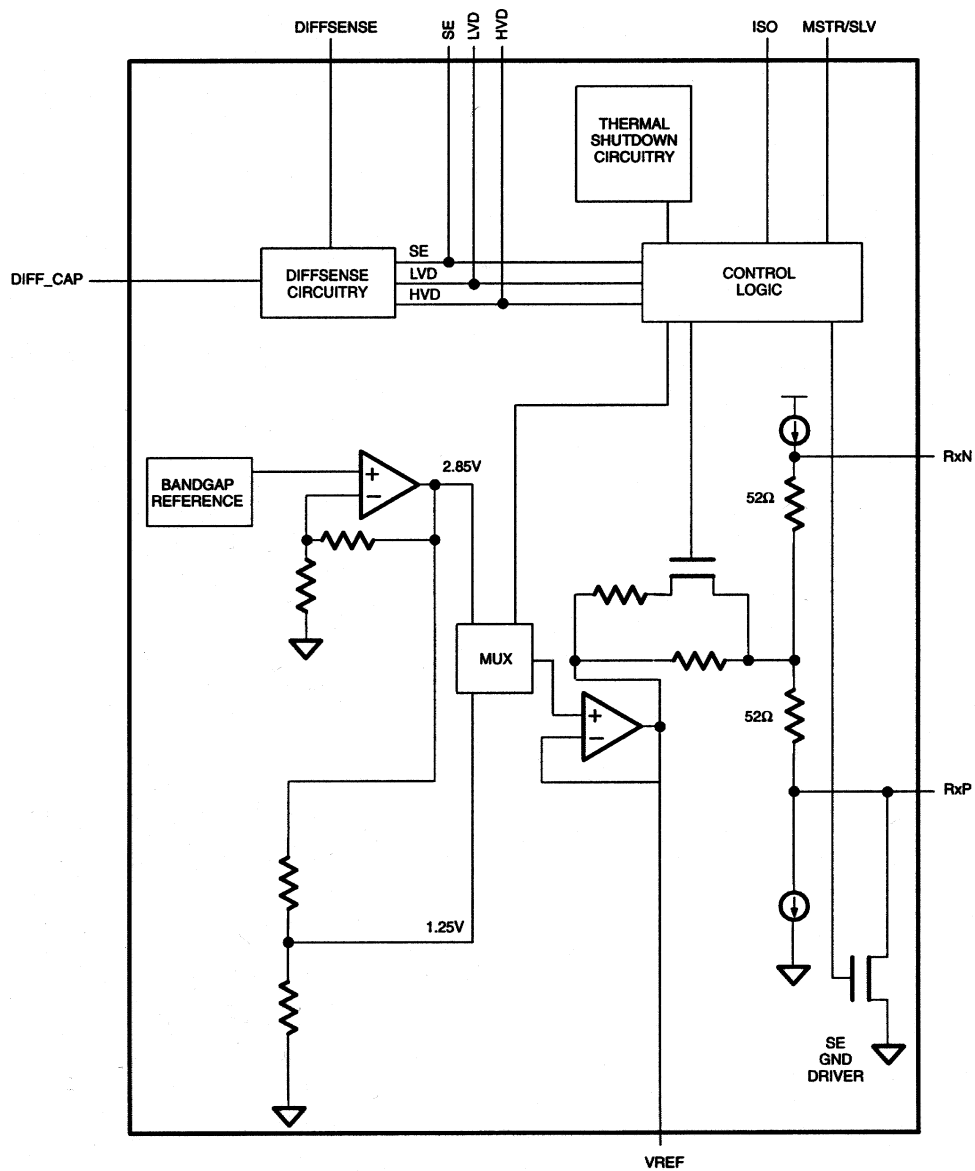
NOTE:

DIFFSENS – Refers to the SCSI bus signal.

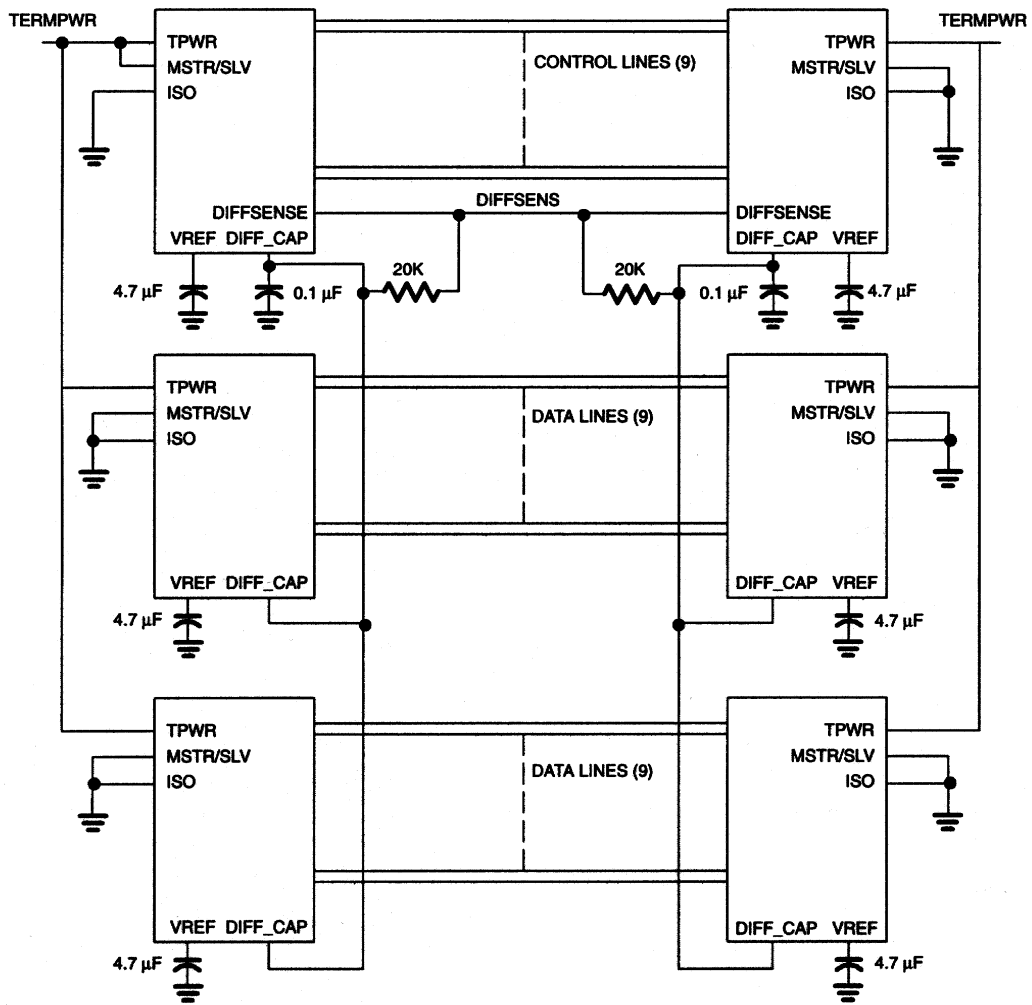
DIFFSENSE – Refers to the DS2117M pin name and internal circuitry capable of driving the DIFFSENS line.

DIFF_CAP - Refers to the DS2117M pin name and internal circuitry relating to monitoring the DIFFSENS line.

DS2117M BLOCK DIAGRAM Figure 1



SCSI BUS CONFIGURATION Figure 2



PIN DESCRIPTION Table 1

| PIN | SYMBOL | DESCRIPTION |
|-----------------------------|------------|--|
| 1 | VREF | Reference Voltage. 2.85 volt reference in SE mode and 1.25 volt reference in LVD mode; must be decoupled with a 4.7 μ F cap. |
| 2, 3 | NC | No Connect. Do not connect these pins. |
| 4-7, 11-16, 22-25, 29-32 | RxP RxN | Signal Termination. Connect to SCSI bus signal lines. |
| 8, 10, 26, 9, 28, 27 | HS GND | Heat Sink Ground. Internally connected to the mounting pad. Should be grounded. |
| 17 | ISO | Isolation. When pulled high, the DS2117M isolates its bus pins (RxP, RxN) from the SCSI bus. |
| 18 | GND | Ground. Signal ground; 0.0 volts. |
| 19 | MSTR/SLV | Master/slave. Mode select for the non-controlling terminator. When pulled high (MSTR), the DIFFSENSE driver is enabled. |
| 20 | DIFFSENSE | DIFFSENSE. Output to drive the SCSI bus DIFFSENS line. |
| 21 | DIFF_CAP | DIFFSENSE CAPACITOR. Connect 0.1 μ F capacitor for DIFFSENSE filter. Input to detect the type of device (differential or single-ended) on the SCSI bus. |
| 33 | SE | Single-ended. SE output of DIFFSENSE receiver; output high indicates SE bus operation. |
| 34 | LVD | Low Voltage Differential. LVD output of DIFFSENSE receiver; output high indicates LVD bus operation. |
| 35 | HVD | High Voltage Differential. HVD output of DIFFSENSE receiver; output high indicates HVD bus operation or thermal shutdown. |
| 36 | TPWR | Termination Power. Connect to the SCSI TERMPWR line and decouple with 2.2 μ F capacitor. |

RECOMMENDED OPERATING CONDITIONS

| PARAMETER | SYMBOL | MIN | TYP | MAX | UNITS | NOTES |
|-----------------------|-----------|-----------------|-----|------------------|--------------|-------|
| Termpower Voltage | SE mode | $V_{tpwr(SE)}$ | 4.0 | | 5.5 | V |
| | LVD mode | $V_{tpwr(LVD)}$ | 2.7 | | 5.5 | V |
| Logic 0 | V_{il} | -0.3 | | +0.8 | V | |
| Logic 1 | V_{ih} | 2.0 | | $V_{tpwr} + 0.3$ | V | |
| Operating Temperature | V_{amb} | 0 | | 70 | $^{\circ}$ C | |

SINGLE ENDED CHARACTERISTICS

| PARAMETER | SYMBOL | MIN | TYP | MAX | UNITS | NOTES |
|---------------------------|--------|-------|-----|-------|-------|-------|
| SE Termination Resistance | Rse | 104.5 | 110 | 115.5 | Ohms | 1 |
| SE Voltage Reference | Vref | 2.7 | | 3.0 | Volts | |
| SE Output Current | Iose | | | 25.4 | mA | 2 |
| Output Capacitance | Cout | | | 3 | pF | 3 |

LOW VOLTAGE DIFFERENTIAL CHARACTERISTICS

| PARAMETER | SYMBOL | MIN | TYP | MAX | UNITS | NOTES |
|--|--------|-------|-----|-------|-------|-------|
| Differential Mode Termination Resistance | Rdm | 100 | | 110 | Ohms | |
| Common Mode Termination Resistance | Rcm | 110 | | 190 | Ohms | |
| Differential Mode Bias | Vdm | 100 | | 125 | mV | 4 |
| Common Mode Bias | Vcm | 1.125 | | 1.375 | V | |

DC CHARACTERISTICS

| PARAMETER | SYMBOL | MIN | TYP | MAX | UNITS | NOTES |
|---------------------------------|--------------------|------|-----|----------------------------|-------|-----------|
| Termpower Current | I _{tpmr} | | 12 | | mA | 4 |
| Input Leakage High | I _{ih} | -1.0 | | | μA | |
| Input Leakage Low | I _{il} | | | 1.0 | μA | |
| Output Current High | I _{oh} | -1.0 | | | mA | 5, 7 |
| Output Current Low | I _{ol} | 4.0 | | | mA | 6, 7 |
| DIFFSENS SE Operating Range | V _{seor} | -0.3 | | 0.5 | V | |
| DIFFSENS LVD Operating Range | V _{lvdor} | 0.7 | | 1.9 | V | |
| DIFFSENS HVD Operating Range | V _{hvdor} | 2.4 | | V _{tpwr} + 0.3 | V | |
| DIFFSENSE Driver Output Voltage | V _{dso} | 1.2 | | 1.4 | V | 8, 9 |
| DIFFSENSE Driver Source Current | I _{dsh} | 5 | | 15 | mA | 8, 10, 12 |
| DIFFSENSE Driver Sink Current | I _{dsl} | 20 | | 200 | μA | 8, 11 |
| Thermal Shutdown | | | 150 | | °C | 3 |

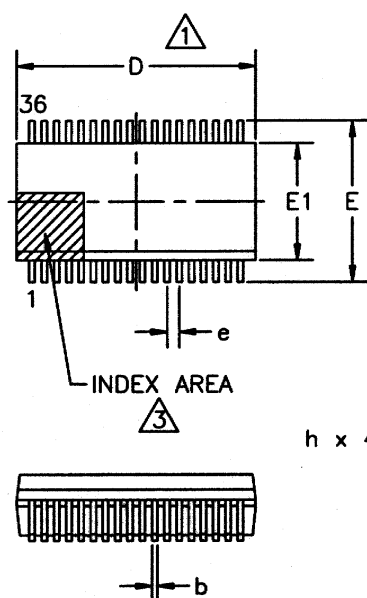
REGULATOR CHARACTERISTICS

| PARAMETER | SYMBOL | MIN | TYP | MAX | UNITS | NOTES |
|-----------------|------------|-----|-----|-----|-------|-------|
| Line Regulation | L_{REG} | | 1.0 | 2.5 | % | |
| Load Regulation | L_{OREG} | | 1.3 | 3.5 | % | |
| Current Limit | I_{LIM} | | 550 | | mA | |
| Sink Current | I_{SINK} | 200 | | | mA | |

NOTES:

1. $V_{line} = 0-3.0$ volts.
2. $V_{line} = 0.2$ volts.
3. Guaranteed by design.
4. All lines open.
5. $V_{OUT} = 2.4$ volts.
6. $V_{OUT} = 0.4$ volts.
7. SE/LVD/HVD pins only.
8. $MSTR/SLV = 1$.
9. $I_{ds} = 0-5$ mA.
10. $V_{dso} = 0.0$ volts.
11. $V_{dso} = 2.75$ volts.
12. $TPWR = 5.5V$

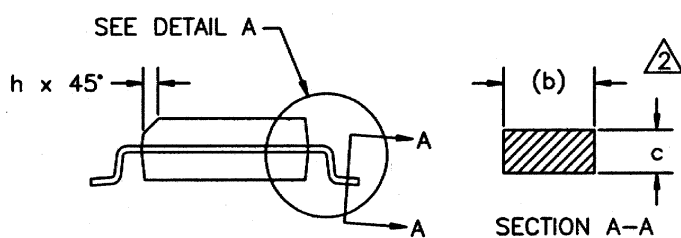
DS2117M 36-PIN SSOP PACKAGE



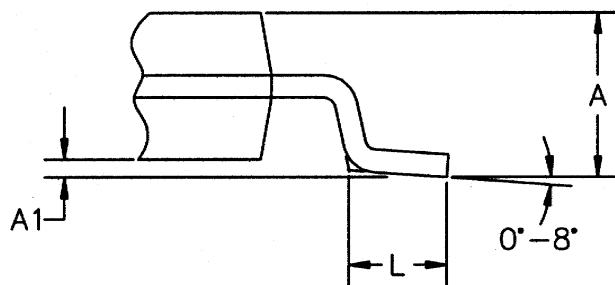
1 DIMENSIONS D AND E1 INCLUDE MOLD MISMATCH, BUT DO NOT INCLUDE MOLD FLASH, PROTRUSIONS OR GATE BURRS. MOLD FLASH, PROTRUSIONS OR GATE BURRS SHALL NOT EXCEED 0.254 MM PER SIDE.

2 SECTION A-A DIMENSIONS APPLY TO THE FLAT SECTION OF THE LEAD BETWEEN 0.13 TO 0.25 MM FROM THE LEAD TIP.

3 THE CHAMFER ON THE BODY IS OPTIONAL. IF IT IS NOT PRESENT, A VISUAL INDEX FEATURE MUST BE LOCATED WITHIN THE CROSS-HATCHED AREA.



| DIM | MIN | MAX |
|-----|----------|-------|
| A | 2.44 | 2.64 |
| A1 | 0.12 | - |
| b | 0.29 | 0.43 |
| c | 0.23 | 0.32 |
| D | 15.20 | 15.54 |
| E | 10.11 | 10.52 |
| E1 | 7.40 | 7.60 |
| e | 0.80 BSC | |
| h | 0.25 | 0.71 |
| L | 0.51 | 1.02 |



DETAIL A

DIMENSIONS ARE IN MILLIMETERS

CSP option - mechanical drawing

Please check the following web location for latest information on our Chip Scale Package (a.k.a "solder bump") "<http://www.dalsemi.com/DocControl/Chips/index.html>"