



High-Speed, Micropower, Low-Voltage, SOT23, Rail-to-Rail I/O Comparators

General Description

Features

The MAX987/MAX988/MAX991/MAX992/MAX995/MAX996 single/dual/quad micropower comparators feature low-voltage operation and Rail-to-Rail® inputs and outputs. Their operating voltage ranges from +2.5V to +5.5V, making them ideal for both 3V and 5V systems. These comparators also operate with ±1.25V to ±2.75V dual supplies. They consume only 48µA per comparator while achieving a 120ns propagation delay.

The common-mode input voltage range extends 250mV beyond the supply rails. Input bias current is typically 1.0pA, and input offset voltage is typically 0.5mV. Internal hysteresis ensures clean output switching, even with slow-moving input signals.

The output stage's unique design limits supply-current surges while switching, virtually eliminating the supply glitches typical of many other comparators. This design also minimizes overall power consumption under dynamic conditions. The MAX987/MAX991/MAX995 have a push/pull output stage that sinks as well as sources current. Large internal output drivers allow rail-to-rail output swing with loads up to 8mA. The MAX988/MAX992/MAX996 have an open-drain output stage that can be pulled beyond V_{CC} to 6V (max) above V_{EE}. These open-drain versions are ideal for level translators and bipolar to single-ended converters.

The single MAX987/MAX988 are available in tiny 5-pin SOT23 packages.

- ◆ 120ns Propagation Delay
- ◆ 48µA Quiescent Supply Current
- ◆ +2.5V to +5.5V Single-Supply Operation
- ◆ Common-Mode Input Voltage Range Extends 250mV Beyond the Rails
- ◆ Push/Pull Output Stage Sinks and Sources 8mA Current (MAX987/MAX991/MAX995)
- ◆ Open-Drain Output Voltage Extends Beyond V_{CC} (MAX988/MAX992/MAX996)
- ◆ Unique Output Stage Reduces Output Switching Current, Minimizing Overall Power Consumption
- ◆ 100µA Supply Current at 1MHz Switching Frequency
- ◆ No Phase Reversal for Overdriven Inputs
- ◆ Available in Space-Saving Packages:
 - 5-Pin SOT23 (MAX987/MAX988)
 - 8-Pin µMAX (MAX991/MAX992)

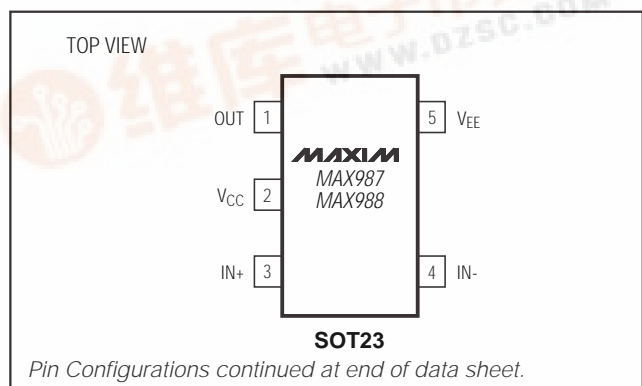
Ordering Information

PART	TEMP. RANGE	PIN-PACKAGE	SOT TOP MARK
MAX987EUK-T	-40°C to +85°C	5 SOT23-5	ABZB
MAX987ESA	-40°C to +85°C	8 SO	—
MAX988EUK-T	-40°C to +85°C	5 SOT23-5	ABZC
MAX988ESA	-40°C to +85°C	8 SO	—

Ordering Information continued at end of data sheet.

Typical Application Circuit appears at end of data sheet.

Pin Configurations



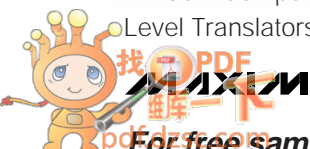
Rail-to-Rail is a registered trademark of Nippon Motorola Ltd.

Selector Guide

PART	COMPARATORS PER PACKAGE	OUTPUT STAGE	PIN-PACKAGE
MAX987	1	Push/Pull	8 SO/ 5 SOT23-5
MAX988	1	Open-Drain	8 SO/ 5 SOT23-5
MAX991	2	Push/Pull	8 SO/µMAX
MAX992	2	Open-Drain	8 SO/µMAX
MAX995	4	Push/Pull	14 SO
MAX996	4	Open-Drain	14 SO

Applications

- | | |
|----------------------------------|------------------------------------|
| Portable/Battery-Powered Systems | Threshold Detectors/Discriminators |
| Mobile Communications | Ground/Supply Sensing |
| Zero-Crossing Detectors | IR Receivers |
| Window Comparators | Digital Line Receivers |
| Level Translators | |



High-Speed, Micropower, Low-Voltage, SOT23, Rail-to-Rail I/O Comparators

ABSOLUTE MAXIMUM RATINGS

Supply Voltage (V _{CC} to V _{EE})6V
IN ₋ , IN ₊ to V _{EE}-0.3V to (V _{CC} + 0.3V)
OUT ₋ to V _{EE}	
MAX987/MAX991/MAX995-0.3V to (V _{CC} + 0.3V)
MAX988/MAX992/MAX996-0.3V to 6V
OUT ₋ Short-Circuit Duration to V _{EE} or V _{CC}10sec

Continuous Power Dissipation (T _A = +70°C)	
5-Pin SOT23 (derate 7.10mW/°C above +70°C)571mW
8-Pin SO (derate 5.88mW/°C above +70°C)471mW
8-Pin μMAX (derate 4.10mW/°C above +70°C)330mW
14-Pin SO (derate 8.33 mW/°C above +70°C)667mW
Operating Temperature Range-40°C to +85°C
Storage Temperature Range-65°C to +150°C
Lead Temperature (soldering, 10sec)+300°C

Stresses beyond those listed under "Absolute Maximum Ratings" may cause permanent damage to the device. These are stress ratings only, and functional operation of the device at these or any other conditions beyond those indicated in the operational sections of the specifications is not implied. Exposure to absolute maximum rating conditions for extended periods may affect device reliability.

ELECTRICAL CHARACTERISTICS (Note 1)

(V_{CC} = +2.7V to +5.5V, V_{EE} = 0V, V_{CM} = 0V, T_A = -40°C to +85°C, unless otherwise noted. Typical values are at T_A = +25°C.)

PARAMETER	SYMBOL	CONDITIONS		MIN	TYP	MAX	UNITS
Supply Voltage	V _{CC}	Inferred from PSRR test		2.5		5.5	V
Supply Current per Comparator	I _{CC}	V _{CC} = 5V	T _A = +25°C		53	80	μA
			T _A = -40°C to +85°C			96	
		V _{CC} = 2.7V	T _A = +25°C		48	80	
			T _A = -40°C to +85°C			96	
Power-Supply Rejection Ratio	PSRR	2.5V ≤ V _{CC} ≤ 5.5V		55	80		dB
Common-Mode Voltage Range (Note 2)	V _{CMR}	T _A = +25°C		V _{EE} - 0.25		V _{CC} + 0.25	V
		T _A = -40°C to +85°C		V _{EE}		V _{CC}	
Input Offset Voltage (Note 3)	V _{OS}	Full common-mode range	T _A = +25°C		±0.5	±5	mV
			T _A = -40°C to +85°C			±7	
Input Hysteresis	V _{HYST}				±2.5		mV
Input Bias Current (Note 4)	I _B				0.001	10	nA
Input Offset Current	I _{OS}				0.5		pA
Input Capacitance	C _{IN}				1.0		pF
Common-Mode Rejection Ratio	CMRR			50	80		dB
Output Leakage Current (MAX988/MAX992/MAX996 only)	I _{LEAK}	V _{OUT} = high				1.0	μA
Output Short-Circuit Current	I _{SC}	Sourcing or sinking, V _{OUT} = V _{EE} or V _{CC}	V _{CC} = 5V		95		mA
			V _{CC} = 2.7V		35		
OUT Output Voltage Low	V _{OL}	V _{CC} = 5V, I _{SINK} = 8mA	T _A = +25°C		0.2	0.4	V
			T _A = -40°C to +85°C			0.55	
		V _{CC} = 2.7V, I _{SINK} = 3.5mA	T _A = +25°C		0.15	0.3	
			T _A = -40°C to +85°C			0.4	
OUT Output Voltage High (MAX987/MAX991/MAX995 only)	V _{OH}	V _{CC} = 5V, I _{SOURCE} = 8mA	T _A = +25°C		4.6	4.85	V
			T _A = -40°C to +85°C		4.45		
		V _{CC} = 2.7V, I _{SOURCE} = 3.5mA	T _A = +25°C		2.4	2.55	
			T _A = -40°C to +85°C		2.3		

High-Speed, Micropower, Low-Voltage, SOT23, Rail-to-Rail I/O Comparators

ELECTRICAL CHARACTERISTICS (continued)

($V_{CC} = +2.7V$ to $+5.5V$, $V_{EE} = 0V$, $V_{CM} = 0V$, $T_A = -40^{\circ}C$ to $+85^{\circ}C$, unless otherwise noted. Typical values are at $T_A = +25^{\circ}C$.)

PARAMETER	SYMBOL	CONDITIONS		MIN	TYP	MAX	UNITS
OUT Rise Time (MAX987/MAX991/ MAX995 only)	t_{RISE}	$V_{CC} = 5.0V$	$C_L = 15pF$		15		ns
			$C_L = 50pF$		20		
			$C_L = 200pF$		40		
OUT Fall Time	t_{FALL}	$V_{CC} = 5.0V$	$C_L = 15pF$		15		ns
			$C_L = 50pF$		20		
			$C_L = 200pF$		40		
Propagation Delay	t_{PD-}	$C_L = 15pF$, $V_{CC} = 5V$	MAX987/MAX991/ MAX995 only	10mV overdrive		210	ns
				100mV overdrive		120	
			MAX988/MAX992/ MAX996 only, $R_{PULL-UP} = 5.1k\Omega$	10mV overdrive		210	
				100mV overdrive		120	
	t_{PD+}	MAX987/MAX991/MAX995 only, $C_L = 15pF$, $V_{CC} = 5V$	10mV overdrive		210		
			100mV overdrive		120		
Power-Up Time	t_{PU}				25		μs

Note 1: The MAX98_EUK specifications are 100% tested at $T_A = +25^{\circ}C$. Limits over the extended temperature range are guaranteed by design, not production tested.

Note 2: Inferred from the V_{OS} test. Either or both inputs can be driven 0.3V beyond either supply rail without output phase reversal.

Note 3: V_{OS} is defined as the center of the hysteresis band at the input.

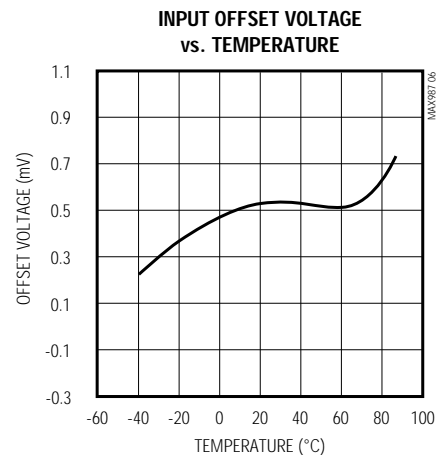
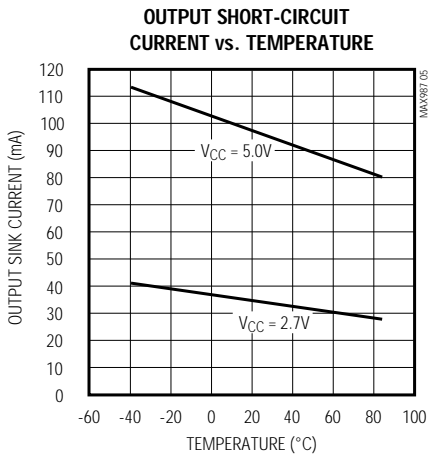
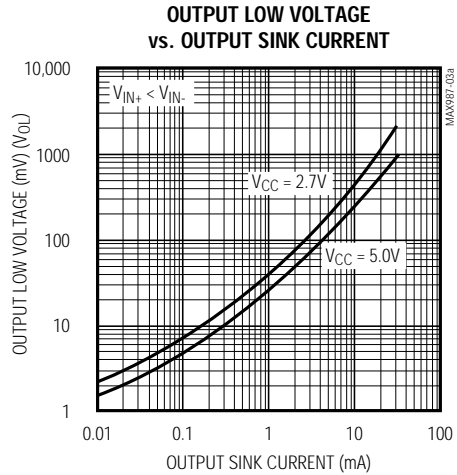
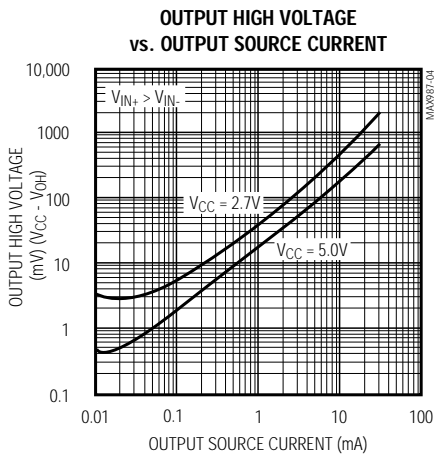
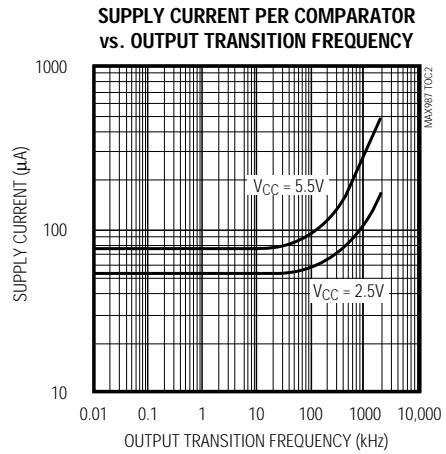
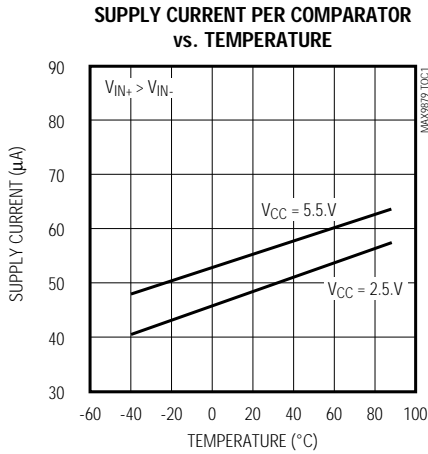
Note 4: I_B is defined as the average of the two input bias currents (I_{B-} , I_{B+}).

MAX987/MAX988/MAX991/MAX992/MAX995/MAX996

High-Speed, Micropower, Low-Voltage, SOT23, Rail-to-Rail I/O Comparators

Typical Operating Characteristics

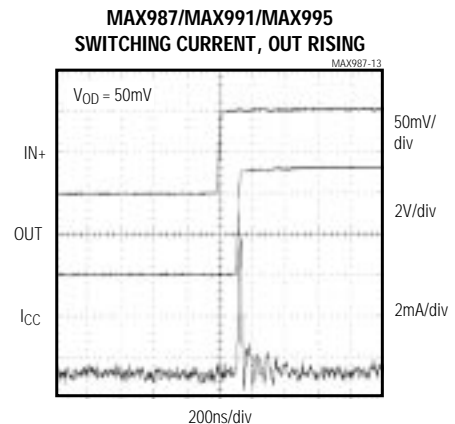
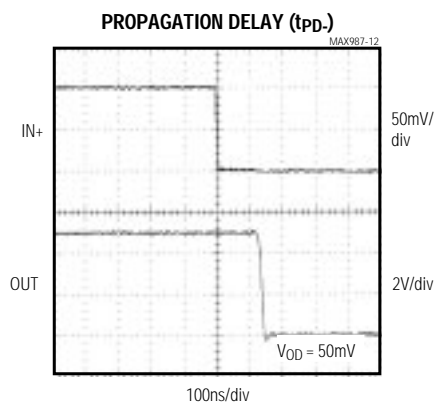
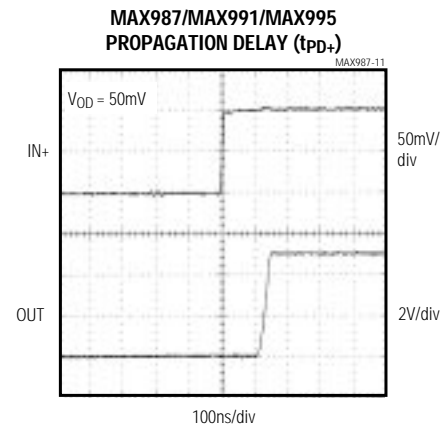
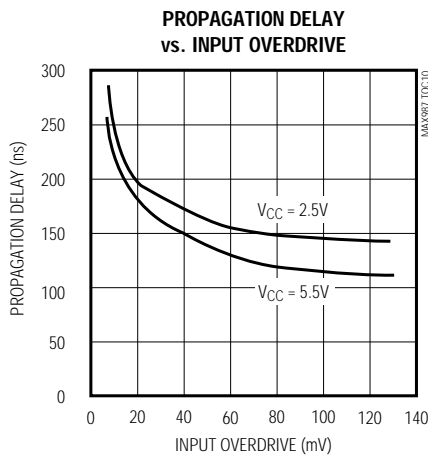
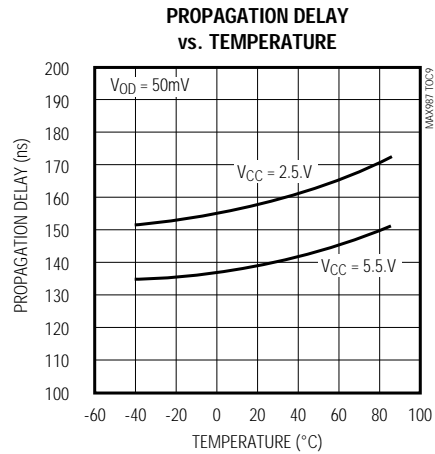
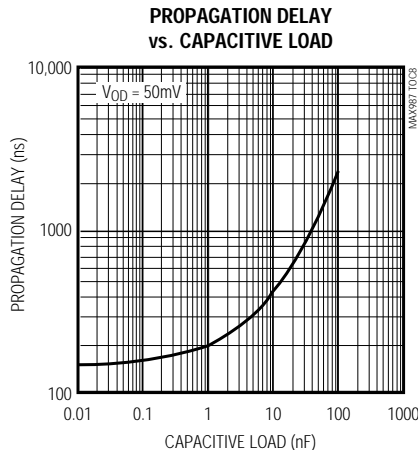
($V_{CC} = 5V$, $V_{CM} = 0V$, $T_A = +25^\circ C$, unless otherwise noted.)



High-Speed, Micropower, Low-Voltage, SOT23, Rail-to-Rail I/O Comparators

Typical Operating Characteristics

($V_{CC} = 5V$, $V_{CM} = 0V$, $T_A = +25^\circ C$, unless otherwise noted.)

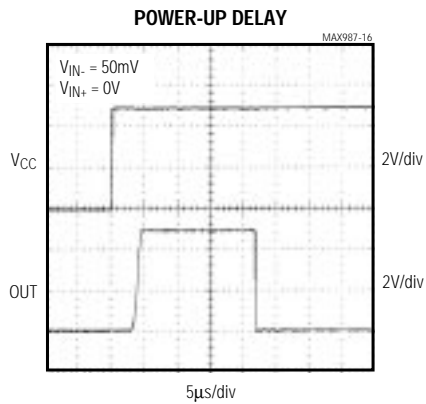
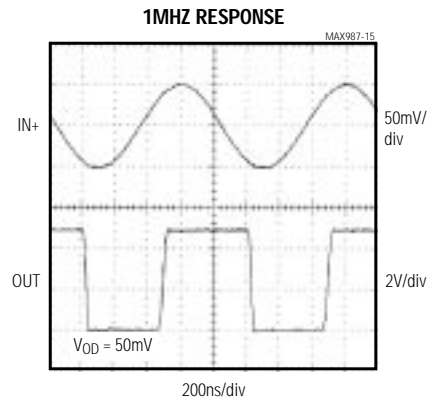
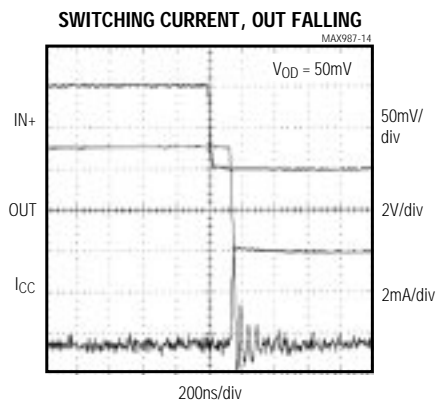


MAX987/MAX988/MAX991/MAX992/MAX995/MAX996

High-Speed, Micropower, Low-Voltage, SOT23, Rail-to-Rail I/O Comparators

Typical Operating Characteristics (continued)

($V_{CC} = 5V$, $V_{CM} = 0V$, $T_A = +25^\circ C$, unless otherwise noted.)



High-Speed, Micropower, Low-Voltage, SOT23, Rail-to-Rail I/O Comparators

Pin Description

PIN				NAME	FUNCTION
MAX987 MAX988		MAX991 MAX996	MAX995 MAX996		
SOT23-5	SO	SO/ μ MAX	SO		
1	6	—	—	OUT	Comparator Output
2	7	8	4	V _{CC}	Positive Supply Voltage
3	3	—	—	IN+	Comparator Noninverting Input
4	2	—	—	IN-	Comparator Inverting Input
5	4	4	11	V _{EE}	Negative Supply Voltage
—	—	1	1	OUTA	Comparator A Output
—	—	2	2	INA-	Comparator A Inverting Input
—	—	3	3	INA+	Comparator A Noninverting Input
—	—	5	5	INB+	Comparator B Noninverting Input
—	—	6	6	INB-	Comparator B Inverting Input
—	—	7	7	OUTB	Comparator B Output
—	—	—	8	OUTC	Comparator C Output
—	—	—	9	INC-	Comparator C Inverting Input
—	—	—	10	INC+	Comparator C Noninverting Input
—	—	—	12	IND+	Comparator D Noninverting Input
—	—	—	13	IND-	Comparator D Inverting Input
—	—	—	14	OUTD	Comparator D Output
—	1, 5, 8	—	—	N.C.	No Connection. Not internally connected.

MAX987/MAX988/MAX991/MAX992/MAX995/MAX996

High-Speed, Micropower, Low-Voltage, SOT23, Rail-to-Rail I/O Comparators

Detailed Description

The MAX987/MAX988/MAX991/MAX992/MAX995/MAX996 are single/dual/quad low-power, low-voltage comparators. They have an operating supply voltage range between +2.5V and +5.5V and consume only 48 μ A per comparator, while achieving 120ns propagation delay. Their common-mode input voltage range extends 0.25V beyond each rail. Internal hysteresis ensures clean output switching, even with slow-moving input signals. Large internal output drivers allow rail-to-rail output swing with up to 8mA loads.

The output stage employs a unique design that minimizes supply-current surges while switching, virtually eliminating the supply glitches typical of many other comparators. The MAX987/MAX991/MAX995 have a push/pull output structure that sinks as well as sources current. The MAX988/MAX992/MAX996 have an open-drain output stage that can be pulled beyond V_{CC} to an absolute maximum of 6V above V_{EE}.

Input Stage Circuitry

The devices' input common-mode range extends from -0.25V to (V_{CC} + 0.25V). These comparators may operate at any differential input voltage within these limits. Input bias current is typically 1.0pA if the input voltage is between the supply rails. Comparator inputs are protected from overvoltage by internal body diodes connected to the supply rails. As the input voltage exceeds the supply rails, these body diodes become forward biased and begin to conduct. Consequently, bias currents increase exponentially as the input voltage exceeds the supply rails.

Output Stage Circuitry

These comparators contain a unique output stage capable of rail-to-rail operation with up to 8mA loads. Many comparators consume orders of magnitude more current during switching than during steady-state operation. However, with this family of comparators, the supply-current change during an output transition is extremely small. The *Typical Operating Characteristics* graph Supply Current vs. Output Transition Frequency shows the minimal supply-current increase as the output switching frequency approaches 1MHz. This characteristic eliminates the need for power-supply filter capacitors to reduce glitches created by comparator switching currents. Battery life increases substantially in high-speed, battery-powered applications.

Applications Information

Additional Hysteresis

MAX987/MAX991/MAX995

The MAX987/MAX991/MAX995 have ± 2.5 mV internal hysteresis. Additional hysteresis can be generated with three resistors using positive feedback (Figure 1). Unfortunately, this method also slows hysteresis response time. Use the following procedure to calculate resistor values for the MAX987/MAX991/MAX995.

- 1) Select R3. Leakage current at I_N is under 10nA; therefore, the current through R3 should be at least 1 μ A to minimize errors caused by leakage current. The current through R3 at the trip point is (V_{REF} - V_{OUT}) / R3. Considering the two possible output states and solving for R3 yields two formulas: R3 = V_{REF} / 1 μ A or R3 = (V_{REF} - V_{CC}) / 1 μ A. Use the smaller of the two resulting resistor values. For example, if V_{REF} = 1.2V and V_{CC} = 5V, then the two R3 resistor values are 1.2M Ω and 3.8M Ω . Choose a 1.2M Ω standard value for R3.
- 2) Choose the hysteresis band required (V_{HB}). For this example, choose 50mV.
- 3) Calculate R1 according to the following equation:

$$R1 = R3 \times (V_{HB} / V_{CC})$$

For this example, insert the values R1 = 1.2M Ω x (50mV / 5V) = 12k Ω .

- 4) Choose the trip point for V_{IN} rising (V_{THR}; V_{THF} is the trip point for V_{IN} falling). This is the threshold voltage at which the comparator switches its output from low to high as V_{IN} rises above the trip point. For this example, choose 3V.

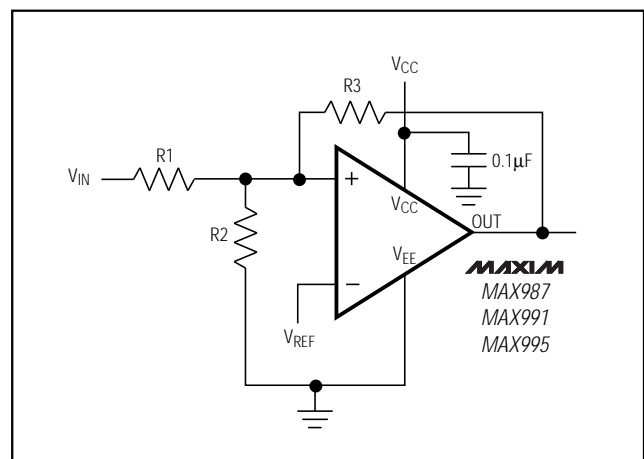


Figure 1. Additional Hysteresis (MAX987/MAX991/MAX995)

High-Speed, Micropower, Low-Voltage, SOT23, Rail-to-Rail I/O Comparators

5) Calculate R2 as shown. For this example, choose an 8.2kΩ standard value:

$$R2 = \frac{1}{\left(\frac{V_{THR}}{V_{REF} \times R1}\right) - \frac{1}{R1} - \frac{1}{R3}}$$

$$R2 = \frac{1}{\left(\frac{3.0V}{1.2 \times 12k\Omega}\right) - \frac{1}{12k\Omega} - \frac{1}{2.2M\Omega}} = 8.03k\Omega$$

6) Verify trip voltages and hysteresis as follows:

$$V_{IN \text{ rising}}: V_{THR} = V_{REF} \times R1 \times \left(\frac{1}{R1} + \frac{1}{R2} + \frac{1}{R3}\right)$$

$$V_{IN \text{ falling}}: V_{THF} = V_{THR} - \left(\frac{R1 \times V_{CC}}{R3}\right)$$

$$\text{Hysteresis} = V_{THR} - V_{THF}$$

MAX988/MAX992/MAX996

The MAX988/MAX992/MAX996 have ±2.5mV internal hysteresis. They have open-drain outputs and require an external pull-up resistor (Figure 2). Additional hysteresis can be generated using positive feedback, but the formulas differ slightly from those of the MAX987/MAX991/MAX995.

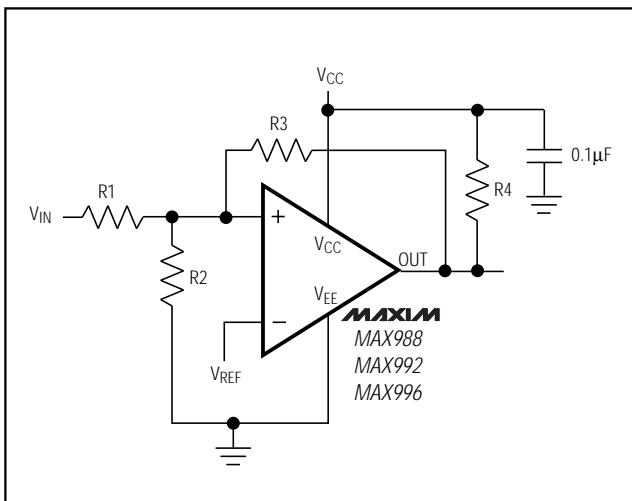


Figure 2. Additional Hysteresis (MAX988/MAX992/MAX996)

Use the following procedure to calculate resistor values:

- 1) Select R3 according to the formulas $R3 = V_{REF} / 1\mu A$ or $R3 = (V_{REF} - V_{CC}) / 1\mu A - R4$. Use the smaller of the two resulting resistor values.
- 2) Choose the hysteresis band required (V_{HB}). For this example, choose 50mV.
- 3) Calculate R1 according to the following equation:
$$R1 = (R3 + R4) \times (V_{HB} / V_{CC})$$
- 4) Choose the trip point for V_{IN} rising (V_{THR} ; V_{THF} is the trip point for V_{IN} falling). This is the threshold voltage at which the comparator switches its output from low to high as V_{IN} rises above the trip point.
- 5) Calculate R2 as follows:

$$R2 = \frac{1}{\left(\frac{V_{THR}}{V_{REF} \times R1}\right) - \frac{1}{R1} - \frac{1}{R3 + R4}}$$

6) Verify trip voltages and hysteresis as follows:

$$V_{IN \text{ rising}}: V_{THR} = V_{REF} \times R1 \times \left(\frac{1}{R1} + \frac{1}{R2} + \frac{1}{R3 + R4}\right)$$

$$V_{IN \text{ falling}}: V_{THF} = V_{THR} - \left(\frac{R1 \times V_{CC}}{R3 + R4}\right)$$

$$\text{Hysteresis} = V_{THR} - V_{THF}$$

Circuit Layout and Bypassing

These comparators' high-gain bandwidth requires design precautions to maximize their high-speed capability. The recommended precautions are:

- 1) Use a printed circuit board with an unbroken, low-inductance ground plane.
- 2) Place a decoupling capacitor (a 0.1µF ceramic capacitor is a good choice) as close to V_{CC} as possible.
- 3) On the inputs and outputs, keep lead lengths short to avoid unwanted parasitic feedback around the comparators.
- 4) Solder the devices directly to the printed circuit board instead of using a socket.

High-Speed, Micropower, Low-Voltage, SOT23, Rail-to-Rail I/O Comparators

Zero-Crossing Detector

Figure 3 shows a zero-crossing detector application. The MAX987's inverting input is connected to ground, and its noninverting input is connected to a 100mVp-p signal source. As the signal at the noninverting input crosses 0V, the comparator's output changes state.

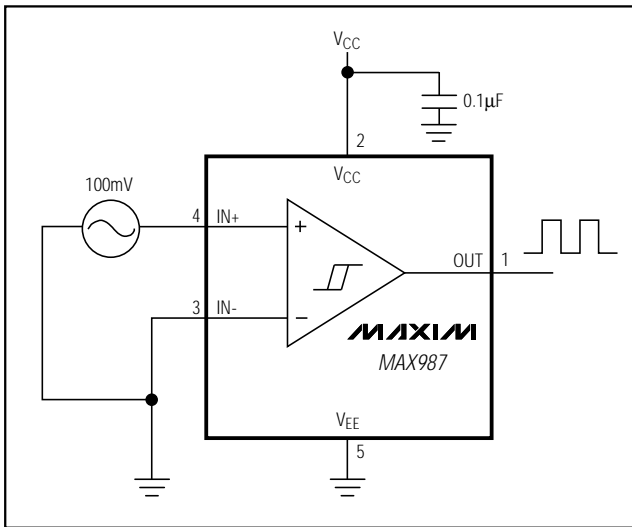


Figure 3. Zero-Crossing Detector

Logic-Level Translator

Figure 4 shows an application that converts 5V logic levels to 3V logic levels. The MAX988 is powered by the +5V supply voltage, and the pull-up resistor for the MAX988's open-drain output is connected to the +3V supply voltage. This configuration allows the full 5V logic swing without creating overvoltage on the 3V logic inputs. For 3V to 5V logic-level translation, simply connect the +3V supply to VCC and the +5V supply to the pull-up resistor.

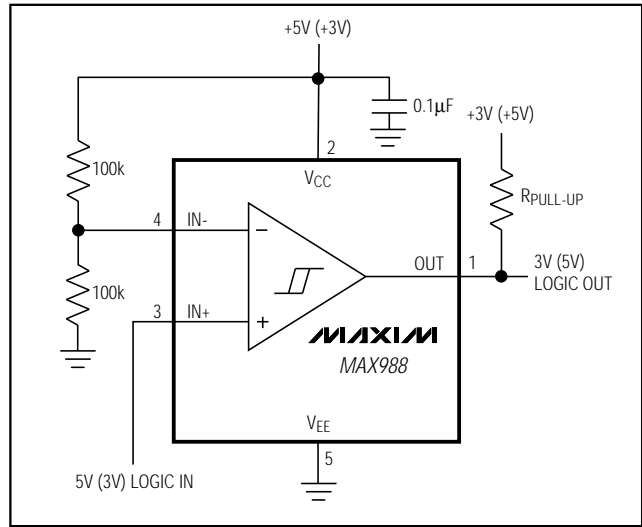
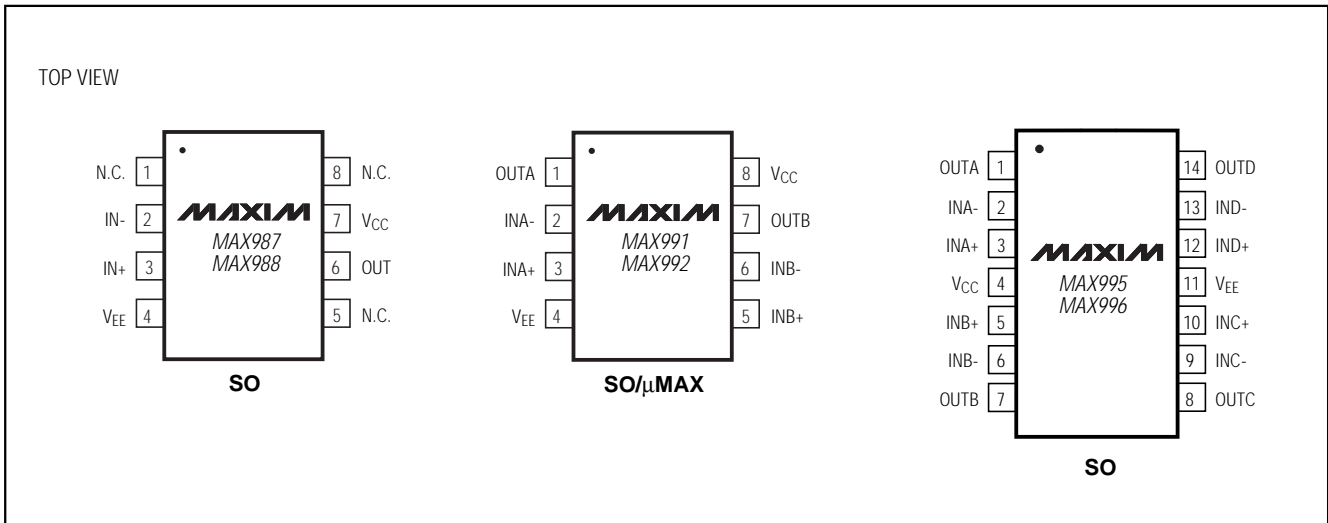


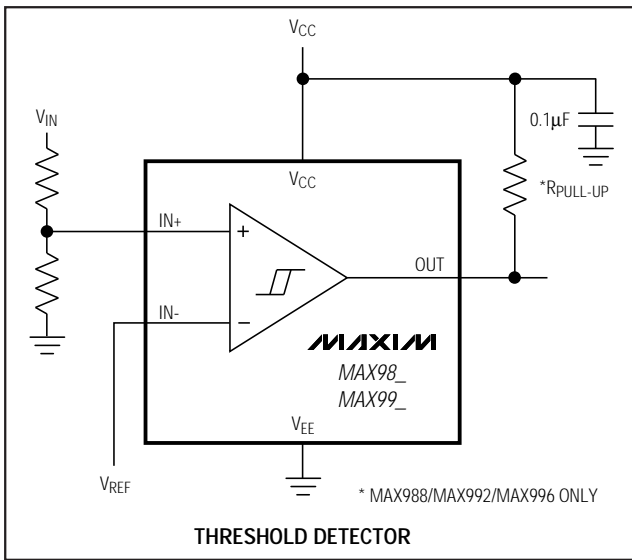
Figure 4. Logic-Level Translator

Pin Configurations (continued)



High-Speed, Micropower, Low-Voltage, SOT23, Rail-to-Rail I/O Comparators

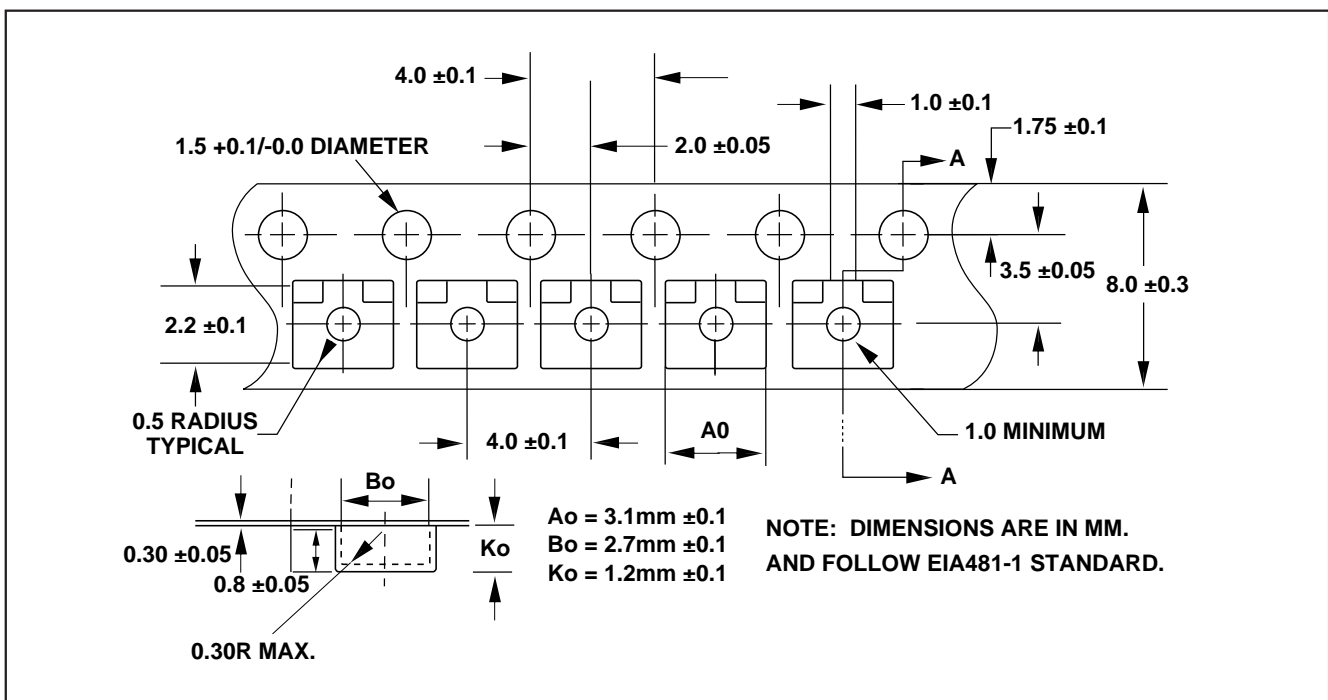
Typical Application Circuit



Ordering Information (continued)

PART	TEMP. RANGE	PIN-PACKAGE	SOT TOP MARK
MAX991ESA	-40°C to +85°C	8 SO	—
MAX991EUA	-40°C to +85°C	8 µMAX	—
MAX992ESA	-40°C to +85°C	8 SO	—
MAX992EUA	-40°C to +85°C	8 µMAX	—
MAX995ESD	-40°C to +85°C	14 SO	—
MAX996ESD	-40°C to +85°C	14 SO	—

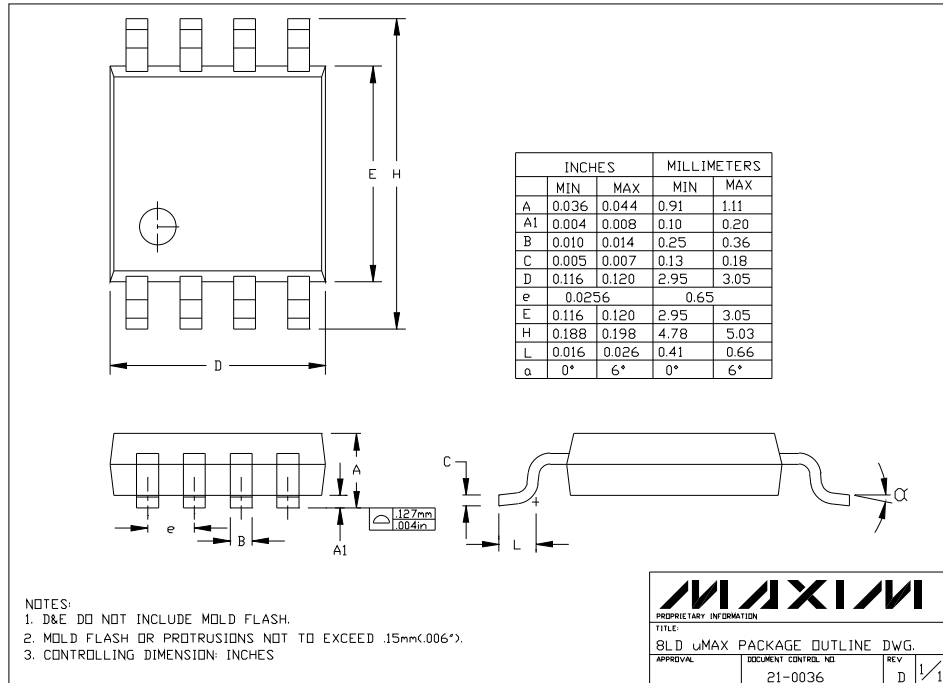
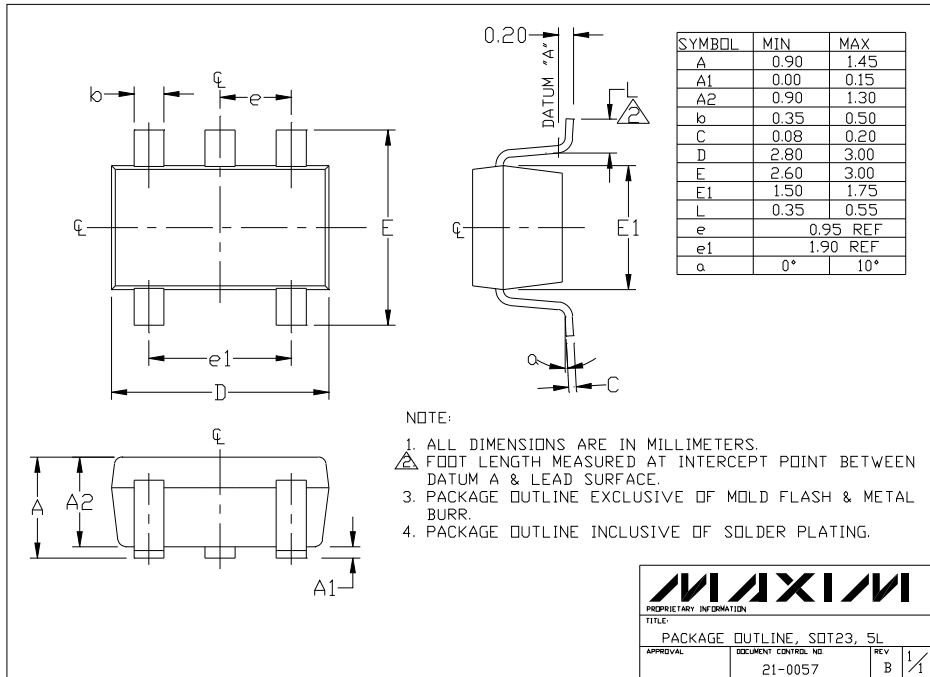
Tape-and-Reel Information



MAX987/MAX988/MAX991/MAX992/MAX995/MAX996

High-Speed, Micropower, Low-Voltage, SOT23, Rail-to-Rail I/O Comparators

Package Information



Maxim cannot assume responsibility for use of any circuitry other than circuitry entirely embodied in a Maxim product. No circuit patent licenses are implied. Maxim reserves the right to change the circuitry and specifications without notice at any time.

12 Maxim Integrated Products, 120 San Gabriel Drive, Sunnyvale, CA 94086 408-737-7600