

International  
**IR** Rectifier

# REFERENCE DESIGN

## IRPLDIM1U

International Rectifier • 233 Kansas Street, El Segundo, CA 90245 USA

### IR21592 Dimming Ballast Control IC Design Kit

#### Features

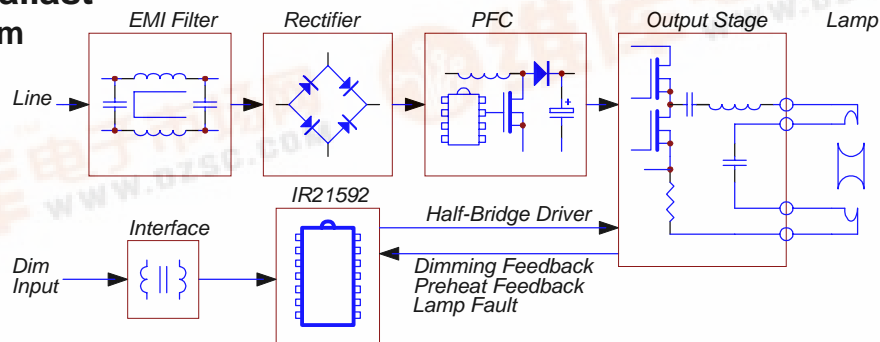
- Drives: 1 x 32W T8 Lamp
- Input: 90-140VAC/60Hz
- High Power Factor/Low THD
- High Frequency Operation
- Lamp Filament Preheating
- Lamp Fault Protection with Auto-Restart
- Brownout Protection
- **IR21592** HVIC Ballast Controller

#### Description

The IRPLDIM1U is a high efficiency, high power factor, dimming electronic ballast designed for driving rapid start fluorescent lamp types. The design contains an EMI filter, active power factor correction and a ballast control circuit using the IR21592. This demo board is intended to ease the evaluation of the IR21592 Dimming Ballast Control IC, demonstrate PCB layout techniques and serve as an aid in the development of production ballast's using the IR21592.



#### Dimming Ballast Block Diagram



## Electrical Characteristics

Parameter	Units	Value (IRPLDIM1U)
Lamp Type		32W T8
Input Power (100%)	[W]	32
Input Current (100%)	[Arms]	0.27
Filament Preheat Current	[Arms]	0.6
Preheat Mode Lamp Voltage	[Vrms]	220
Preheat Time	[s]	1.0
Input AC Voltage Range	[VACrms]	90..140/50..60Hz
Input DC Voltage Range	[VDC]	100..180
Power Factor		0.99
Total Harmonic Distortion	[%]	<10
Maximum Output Voltage	[Vpk]	750

Note: Measurements performed with input AC line voltage = 120Vrms

## Fault Protection Characteristics

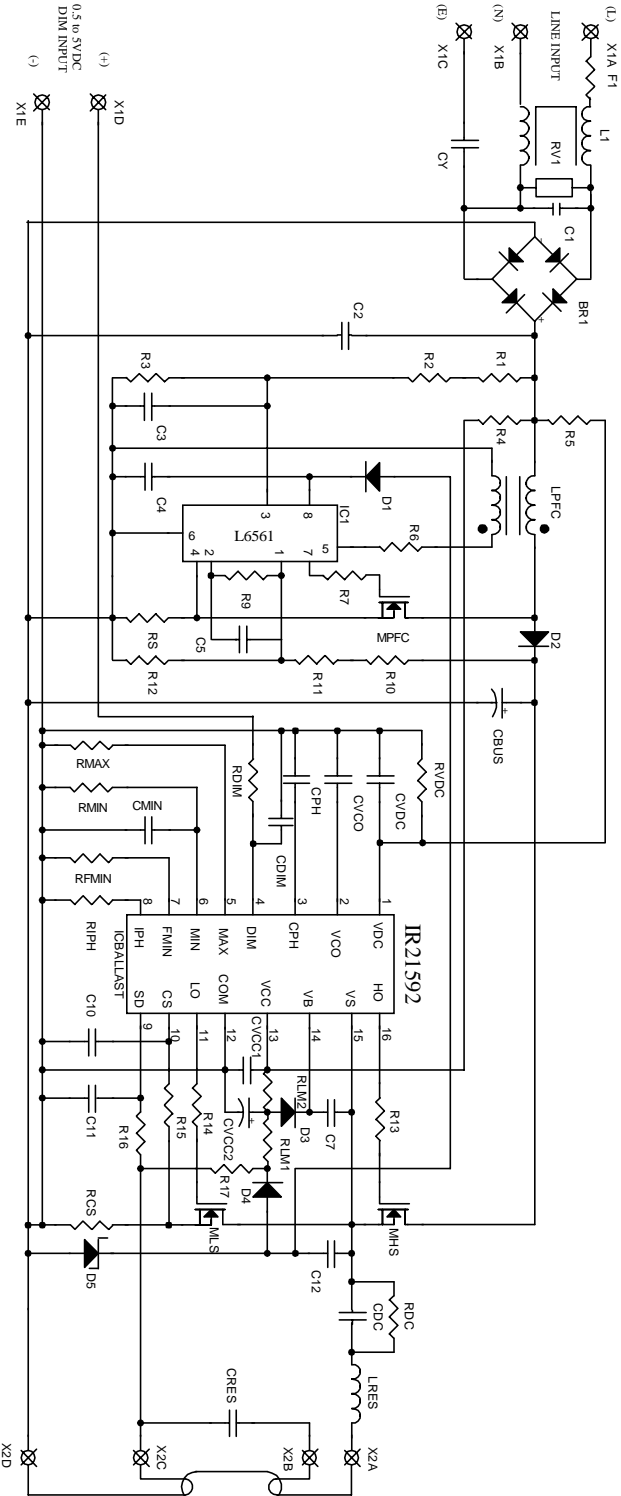
Fault	Ballast	Restart Operation
Line voltage low	Deactivates	Increase line voltage
Upper filament broken	Deactivates	Lamp exchange
Lower filament broken	Deactivates	Lamp exchange
Failure to ignite	Deactivates	Lamp exchange
Open circuit (no lamp)	Deactivates	Lamp exchange

## Fault Protection

### Overview

The IRPLDIM1U Demo Board consists of an EMI filter, an active power factor correction front end, a ballast control section and a resonant lamp output stage. The active power factor correction section is a boost converter operating in critical conduction mode , free-running frequency mode. The ballast control section provides frequency modulation control of a traditional RCL lamp resonant output circuit and is easily adaptable to a wide variety of lamp types. The ballast control section also provides the necessary circuitry to perform closed-loop dimming, lamp fault detection, shutdown and auto-restart. All functional descriptions refer to the IRPLDIM1U schematic diagram.

### IRPLDIM1U Schematic Diagram



## IRPLDIM1U Bill Of Materials

Lamp Type: T8/32W Line Input Voltage: 90 to 140 VAC/50/60Hz

Item	Qty	Reference	Description	Manufacturer	Part Number
1	1	BR1	Bridge Rectifier, 1A, 1000V	International Rectifier	DF10S
2	1	C4,CVDC	Capacitor, 0.47uF, SMT 1206	Panasonic	ECJ-3YB1E474K
3	1	C5	Capacitor, 0.68uF, SMT 1206	Panasonic	ECJ-3YB1E684K
4	1	C3	Capacitor, 0.01uF, SMT 1206	Panasonic	ECU-V1H103KBM
5	1	CVCO	Capacitor, 0.022uF, SMT 1206	Panasonic	ECU-V1H223KBM
6	1	C1	Capacitor, 0.33uF, 275VAC	Roederstein	F1772433-2200
7	2	CDC,C2	Capacitor, 0.1uF, 400VDC	Wima	MKP10
8	5	C7,CVCC1,C11,CMIN,CDIM	Capacitor, 0.1uF, SMT 1206	Panasonic	ECJ-3VB1E104K
9	1	CPH	Capacitor, 0.39uF, SMT 1206	Panasonic	ECJ-3YB1E394K
10	1	CBUS	Capacitor, 10uF, 350VDC,105C	Panasonic	EEU-EB2V100
11	1	CVCC2	Capacitor, 4.7uF, 25VDC,105C	Panasonic	EEU-FC1H4R7
12	1	C10	Capacitor, 100pF, SMT 1206	Panasonic	ECU-V1H101JCH
13	1	C12	Capacitor, 1.5nF,1KV, SMT 1812	Johanson	102S43W152KV4
14	1	CRES	Capacitor, 8.2nF, 1600VDC	Panasonic	ECW-H16822JV
15	2	D1,D4	Diode, 1N4148, SMT DL35	Diodes	LL4148
16	2	D2,D3	Diode, SMT SMB	International Rectifier	10DF60
17	1	D5	Zener Diode, 20V, SMT DL35	Diodes	ZMM5250B-7
18	1	IC1	IC, Power Factor Controller	ST	L6561D
19	1	IC2	IC, Dimming Ballast Controller	International Rectifier	IR21592
20	1	L1	EMI Inductor, 1x10mH, 0.7A	Panasonic	ELF-15N007A
21	1	LPFC	PFC Inductor, 2.0mH, 2.0Apk	Coilcraft	Z9264B
22	1	LRES	Inductor, 2.0mH, 2.0Apk	Coilcraft	Z9265B
23	2	MHS,MLS	Transistor, MOSFET	International Rectifier	IRF720
24	1	MPFC	Transistor, MOSFET	International Rectifier	IRF730
25	1	R15	Resistor, 1K Ohm, SMT 1206	Panasonic	ERJ-8GEYJ102V
26	1	RFMIN	Resistor, 36K Ohm, SMT 1206	Panasonic	ERJ-8GEYJ363V
27	1	RDIM	Resistor, 10K Ohm, SMT 1206	Panasonic	ERJ-8GEYJ103V
28	1	RMAX	Resistor, 24K Ohm, SMT 1206	Panasonic	ERJ-8GEYJ243V
29	1	RMIN	Resistor, 27K Ohm, SMT 1206	Panasonic	ERJ-8GEYJ273V
30	1	RVDC	Resistor, 47K Ohm, SMT 1206	Panasonic	ERJ-8GEYJ473V
31	2	RIPH, R6	Resistor, 22K Ohm, SMT 1206	Panasonic	ERJ-8GEYJ223V
32	1	R12	Resistor, 13K Ohm, SMT 1206	Panasonic	ERJ-8GEYJ133V
33	2	R1,R2	Resistor, 680K Ohm, SMT 1206	Panasonic	ERJ-8GEYJ684V
34	1	R3	Resistor, 7.5K Ohm, SMT 1206	Panasonic	ERJ-8GEYJ752V
35	1	R4	Resistor, 330K Ohm	Yageo	CFR-25JR-330K
36	1	R5	Resistor, 1M Ohm	Yageo	CFR-25JR-1M0
37	3	R7,R13,R14	Resistor, 22 Ohm, SMT 1206	Panasonic	ERJ-8GEYJ220V
38	1	F1	Resistor, 0.5 Ohm, 1/2 Watt	Dale	CW-1/2
39	2	R9,R16	Resistor, 100K Ohm, SMT 1206	Panasonic	ERJ-8GEYJ104V
40	2	R10,R11	Resistor, 820K Ohm, SMT 1206	Panasonic	ERJ-8GEYJ824V
41	1	R17	Resistor, 1M Ohm, SMT 1206	Panasonic	ERJ-8GEYJ105V
42	1	RS	Resistor, 0.5 Ohm, 1/4 Watt	Yageo	CFR-25JR-R5
43	1	RCS	Resistor, 0.570Ohm, 1/4 Watt	Yageo	CFR-25JR-R57
44	1	RDC	Resistor, 100K Ohm, 1/4 Watt	Yageo	CFR-25JR-100K
45	1	X1	Connector, 5 terminal	Wago	
46	1	X2	Connector, 4 terminal	Wago	236-404
47	1	J1	Jumper		
48	1	CY	Y Capacitor	Roederstein	WYO222MCMBFOK
49	1	RV1	Varistor	Panasonic	ERZ-VO5D471
50	2	RLM1,RLM2	Resistor, 10 Ohm, SMT 1206	Panasonic	ERJ-8GEYJ100V
<b>Total</b>	<b>66</b>				

## Power Factor Correction

The power factor correction section consists of the L6561D Power Factor Controller IC (IC1), MOSFET M1, inductor L2, diode D2, capacitor C8 and additional biasing, sensing and compensation components (see schematic diagram). This is a boost topology designed to step-up and regulate the output DC bus voltage while drawing sinusoidal current from the line (low THD) which is “in phase” with the AC input line voltage (HPF). The design of the power factor correction section was taken from the L6561D data sheet and information on the operation and design considerations for the L6561D are contained therein.

## Ballast Control

The ballast control section is built around the IR21592 Ballast Control IC, IC2 of the Demo board. The IR21592 contains an oscillator, a high voltage half-bridge gate driver, an analog dimming interface and lamp fault protection circuitry. A block diagram of the IR21592 IC is shown in figure 1 and a state diagram of the IR21592 is shown in figure 2.

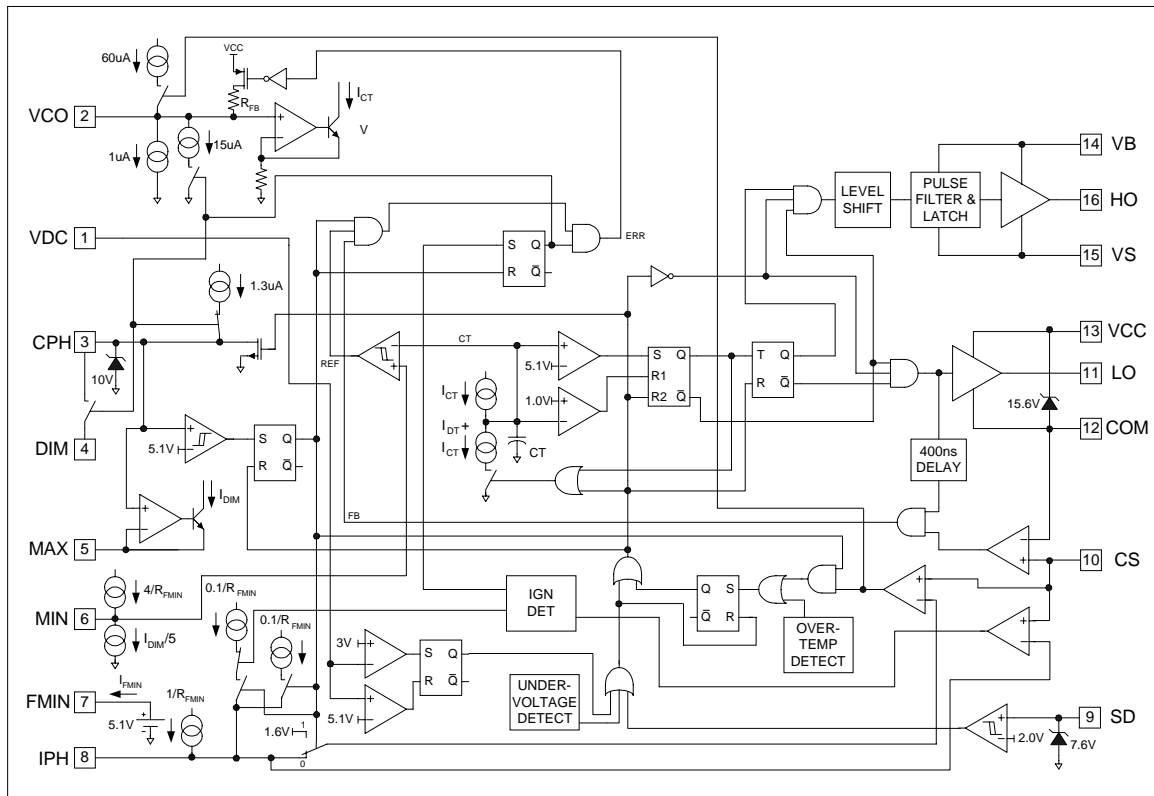


Figure 1: IR21592 Block Diagram

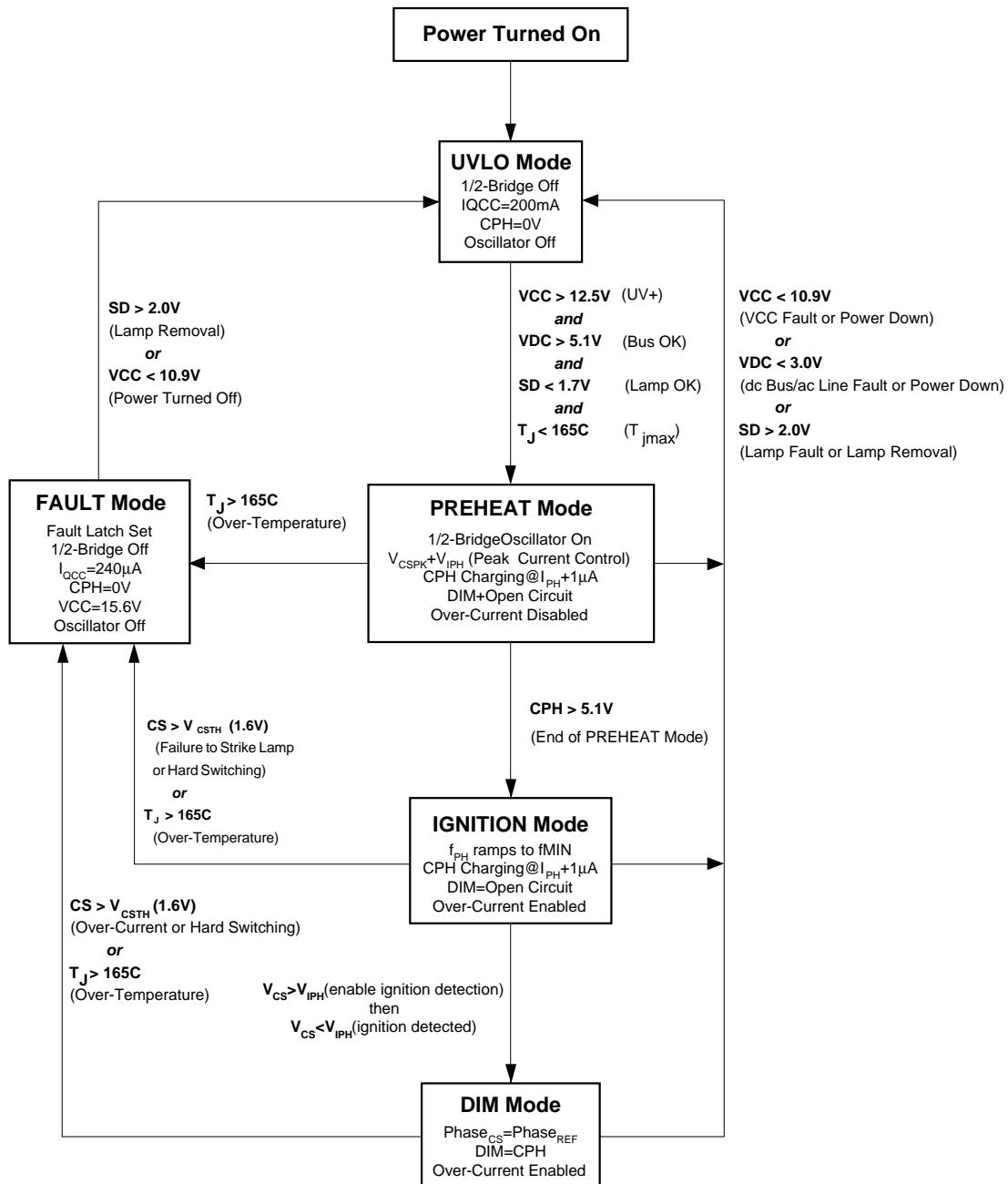


Figure 2: IR21592 State Diagram

## Ballast Design

### Lamp Requirements

Before selecting component values for the ballast output stage and the programmable inputs of the IR21592, the following lamp requirements must first be defined:

Variable	Description	Units
$I_{ph}$	Filament pre-heat current	Arms
$t_{ph}$	Filament pre-heat time	s
$V_{ph_{max}}$	Maximum lamp pre-heat voltage	Vpp
$V_{ign}$	Lamp ignition voltage	Vpp
$P_{100\%}$	Lamp power at 100% brightness	W
$V_{100\%}$	Lamp voltage at 100% brightness	Vpp
$P_{1\%}$	Lamp power at 1% brightness	W
$V_{1\%}$	Lamp voltage at 1% brightness	Vpp
$I_{Cath_{min}}$	Minimum cathode heating current	Arms

Table I, Typical lamp requirements

### Ballast Output Stage

The components comprising the output stage are selected using a set of equations. Different ballast operating frequencies and their respective voltages and currents are calculated. The inductor and capacitor values are obtained using equations (2) through (7). The results of these equations reveal the location of each operating frequency and the corresponding voltages and currents. For a given L, C, DC bus voltage, and pre-heat current, the resulting voltage over the lamp during pre-heat is given as:

$$V_{ph} = \sqrt{\left(\frac{V_{DC}}{\pi}\right)^2 + \frac{8L}{C} I_{ph}^2} - \frac{V_{DC}}{\pi} \quad [\text{Vpp}] \quad (2)$$

The resulting operating frequency during pre-heat is given as:

$$f_{ph} = \frac{\sqrt{2} I_{ph}}{\pi C V_{ph}} \quad [\text{Hz}] \quad (3)$$

The resulting operating frequency during ignition is given as:

$$f_{ign} = \frac{1}{2\pi} \sqrt{\frac{1 + \frac{4}{\pi} \frac{V_{DC}}{V_{ign}}}{LC}} \quad [\text{Hz}] \quad (4)$$

The total load current during ignition is given as:

$$I_{ign} = f_{ign} C V_{ign} 2\pi \quad [\text{App}] \quad (5)$$

The operating frequency [Hz] at maximum lamp power is given as:

$$f_{100\%} = \frac{1}{2\pi} \sqrt{\frac{1}{LC} - \frac{32P_{100\%}^2}{C^2 V_{100\%}^4} + \sqrt{\left[\frac{1}{LC} - \frac{32P_{100\%}^2}{C^2 V_{100\%}^4}\right]^2 - 4 \frac{1 - \left(\frac{4V_{DC}}{V_{100\%}\pi}\right)^2}{L^2 C^2}} \quad (6)$$

The cathode heating current at minimum lamp power is given as:

$$I_{Cath_{1\%}} = \frac{V_{1\%} f_{1\%} \pi C}{\sqrt{2}} \quad (7)$$

### Design Constraints

The inductor and capacitor values should be iterated until the following design constraints have been fulfilled (Table II).

Design Constraint	Reason
$V_{ph} < V_{ph_{max}}$	Ignition during pre-heat
$f_{ph} - f_{ign} > 5kHz$	Production tolerances
$I_{ign} < I_{ign_{max}}$	Inductor saturation
$I_{Cath_{1\%}} \geq I_{Cath_{min}}$	Lamp extinguishing during dimming

Table II, Ballast design constraints

## IR2159 Programmable Inputs

In order to program the MIN and MAX settings of the dimming interface, the phase of the output stage current at minimum and maximum lamp power must be calculated. This is obtained using the following equations:

$$f_{\%} = \frac{1}{2\pi} \sqrt{\frac{1}{LC} - \frac{32P_{\%}^2}{C^2V_{\%}^4}} + \sqrt{\left[\frac{1}{LC} - \frac{32P_{\%}^2}{C^2V_{\%}^4}\right]^2 - 4 \frac{1 - \left(\frac{4V_{DC}}{V_{\%}\pi}\right)^2}{L^2C^2}} \quad (8)$$

$$\phi_{\%} = \frac{180}{\pi} \tan^{-1} \left[ \left( \frac{V_{\%}^2}{2P_{\%}} C - \frac{2P_{\%}}{V_{\%}^2} L \right) 2\pi f_{\%} - 4 \frac{V_{\%}^2}{P_{\%}} LC^2 \pi^3 f_{\%}^3 \right] \quad (9)$$

With the lamp requirements defined, the L and C of the ballast output stage selected, and the minimum and maximum phase calculated, the component values for setting the programmable inputs of the IR21592 are obtained with the following equations:

$$R_{FMIN} = \frac{(25e-6) - (f_{MIN} - 10000) \cdot (1e-10)}{(f_{MIN} - 10000) \cdot (2e-14)} \quad [\text{Ohms}] \quad (10)$$

$$R_{CS} = \frac{2 \cdot (1.6)}{I_{ign}} \quad [\text{Ohms}] \quad (11)$$

$$R_{IPH} = R_{FMIN} R_{CS} I_{ph} \sqrt{2} \quad [\text{Ohms}] \quad (12)$$

$$C_{CPH} = (2E - 7)(t_{PH}) \quad [\text{Farads}] \quad (13)$$

$$R_{MIN} = \frac{R_{FMIN}}{4} \left( 1 - \frac{\phi_{1\%}}{45} \right) \quad [\text{Ohms}] \quad (14)$$

$$R_{MAX} = \frac{0.86 \cdot R_{FMIN} \cdot R_{MIN}}{4 \cdot R_{MIN} - R_{FMIN} \cdot \left( 1 - \frac{\phi_{100\%}}{45} \right)} \quad [\text{Ohms}] \quad (15)$$

This ballast design procedure has been summarized into the following 3 steps:

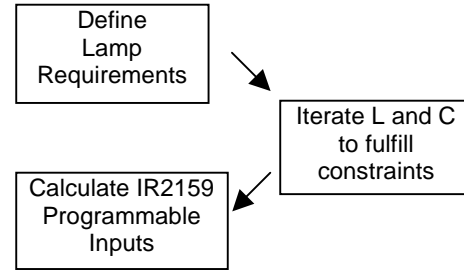


Figure 3, Simplified Ballast Design Procedure

## Ballast Designer Software

Included with the design kit is the Ballast Designer Software which allows for selection of different lamp types, different input voltage ranges or different lamp configurations. The software then performs all of the necessary design iterations and generates new schematics and a bill of materials.

### IRPLDIM1U Design

Line Input Voltage: 90 to 140VAC/50/60Hz  
Lamp Power/Type: 32W/T8

## 1) Lamp Requirements

Typical high-frequency (25kHz) lamp requirements for the 32W/T8 lamp type are given as:

Variable	Value	Units
$I_{ph}$	0.6	Arms
$t_{ph}$	1.0	s
$V_{ph_{max}}$	600	Vpp
$V_{ign}$	1300	Vpp
$P_{max}$	30	W
$V_{P_{max}}$	400	Vpp
$P_{min}$	1	W
$V_{P_{min}}$	330	Vpp
$I_{Cath_{min}}$	0.35	Arms

Table III, 32W/T8 lamp requirements



## 2) Iterate L and C to Fulfill Constraints

To select the ballast output stage inductor and capacitor, a range of values were input into equations (2) through (7), which have been summarized in the following table:

$L$	[mH]	2.0	2.0	2.0
$C$	[nF]	6.8	8.2	10
$V_{ph}$	[Vpp]	748	668	592
$f_{ph}$	[kHz]	53	49	46
$f_{ign}$	[kHz]	49	45	40
$I_{ign}$	[App]	1.4	1.5	1.7
$f_{pmax}$	[kHz]	49	46	43
$I_{CathP_{min}}$	[Arms]	0.32	0.35	0.38

Table IV, Ballast parameters for different C values

When compared against the lamp requirements, a capacitor value of 6.8nF gives a lamp voltage during pre-heat that exceeds the maximum allowable specified for this lamp type. This can ignite the lamp before the cathodes have reached their emission temperature, drastically reducing lamp life. The pre-heat current can be reduced to give a lower pre-heat voltage, but the pre-heat time must then be increased for proper heating. Also,  $I_{Cath_{min}}$  is too low, which will cause the lamp to extinguish at low light levels where the arc current alone is too low to heat the cathodes. Increasing the capacitor value to 10nF fulfills the lamp requirements quite well, even allowing some room in the pre-heat voltage for the pre-heat current to be increased and the pre-heat time shortened. During dimming, however, the lamp voltage increases with decreasing lamp power due to lamp negative incremental impedance effects. A maximum is reached around 10% brightness, after which the lamp voltage decreases as the lamp is further dimmed. The maximum filament current occurs at the maximum lamp voltage, which for a capacitor value of 10nF, is too high and will over-

www.irf.com

heat the filaments. A capacitor value of 8.2nF was chosen which fulfills the lamp requirements without over-heating the cathodes.

## 3) IR21592 Programmable Inputs

With all of the lamp requirements fulfilled, the component values for setting the programmable inputs of the IR21592 are calculated as:

Equation No.	Variable	Value
(8)	$f_{100\%}$	46kHz
(8)	$f_{1\%}$	58kHz
(9)	$\phi_{100\%}$	-56.12deg
(9)	$\phi_{1\%}$	-89.27deg
(10)	$R_{FMIN}$	36kOhm
(11)	$R_{CS}$	1.0 Ohm
(12)	$R_{IPH}$	22kOhm
(13)	$C_{TPH}$	330nF
(14)	$R_{MIN}$	27kOhm
(15)	$R_{MAX}$	24kOhm

Table V, IR21592 Programmable Inputs for T8/32W lamp.

**Important Note:** These design kits are intended as a demonstration of the functionality and performance of the IR21592 Dimming Ballast Control IC only. Adequate EMI filtering, line transient protection, galvanic dim control input isolation, and ballast and lamp life testing are not considered in this design.

## Waveforms

Figure 4 shows the voltage appearing across the lamp while Figure 5 shows the current flowing through the lamp during Startup, Preheat, Ignition and Dim modes.

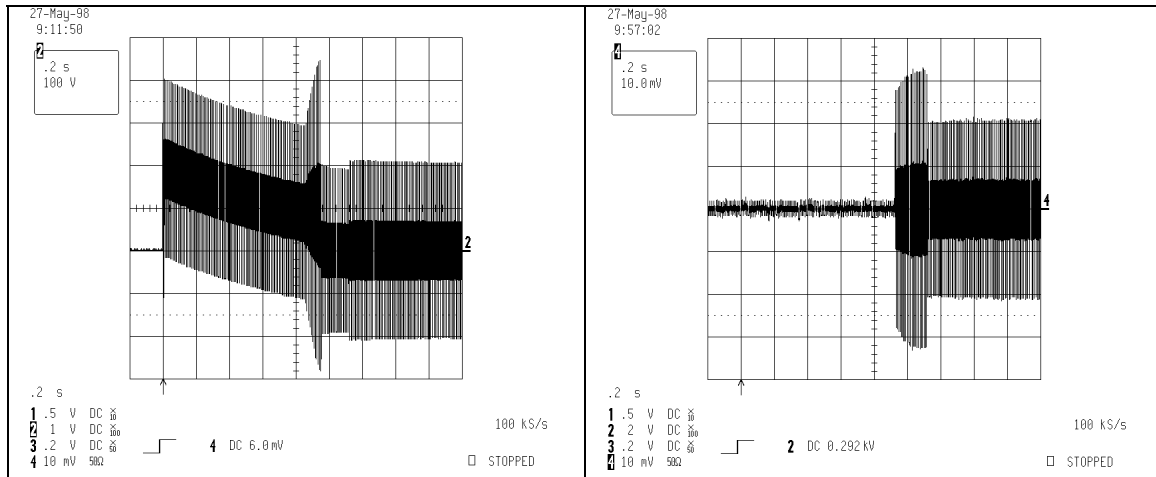


Figure 4, Lamp voltage during Startup, Preheat, Ignition and Dim (100%)

Figure 5, Lamp current during Startup, Preheat, Ignition and Dim (100%) (100mA/div.)

## Normal Powerdown

A Normal Powerdown occurs when the AC line voltage is disconnected from the ballast. When this occurs the voltage on the VDC pin of IC2 drops below the line fault threshold (3V) and IC2 shuts down in a controlled fashion. The oscillator is stopped, the half-bridge driver outputs (LO and HO) are turned off and capacitor CPH is discharged. IC2 also goes into its UVLO/micro-power mode and the bus voltage begins to collapse.

## Fault Mode

Fault mode is when the ballast driver is shutdown due to the detection of a lamp fault. Note that when the ballast is in this Fault mode the power factor correction section of the ballast is also shutdown and the bus voltage will drop to the non-boosted/unregulated level. There are several lamp fault conditions which can put the ballast into the Fault mode. The lamp fault conditions detected include: near/below resonance (under-current) detection, hard-switching detection and over-current detection. Resistor RCS in the source lead of the low side MOSFET (M3) serves as the current sensing point for the half-bridge which is used to detect these lamp fault conditions. In operation when the half-bridge is oscillating, a voltage appears across RCS whenever the low side MOSFET, M3, is turned on or the high side MOSFET, M2, is turned off. The magnitude of this voltage directly relates to the current in the lamp resonant circuit. Figure 6 shows the voltage which appears across resistor RCS during normal Run mode conditions while Figure 14 shows the voltage appearing across the lamp during the end of Preheat mode, Ignition Ramp mode and the beginning of Run mode. Also shown in Figure 7 are the gate drive signals for the low side MOSFET (LO pin) and the high side MOSFET (HO-VS pin).

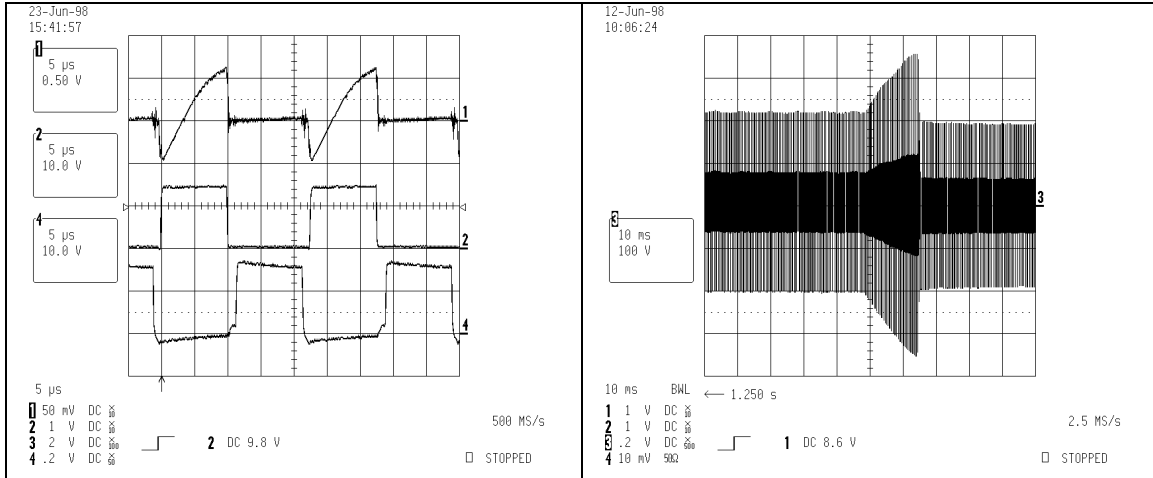


Figure 6, Normal Run mode, Upper trace: voltage across RCS, Middle trace: IC2 LO pin voltage, Lower trace: IC2 HO-VS pin voltage

Figure 7, Normal lamp ignition: Lamp voltage during the end of Preheat mode, Ignition Ramp mode and the beginning of the Run mode

During the Preheat mode the over-current protection is disabled. However, at the end of Preheat mode (the beginning of the Ignition mode) the hard-switching and over-current detection are enabled. If at any time thereafter the voltage magnitude across resistor RCS rises above the over-current threshold (1.6V) of the CS pin of IC2, a lamp fault condition is signaled and the half-bridge output MOSFETs', (M2 and M3) are turned off and the ballast goes into Fault mode. This can happen if the lamp fails to ignite or if the upper filament is open. For failure to ignite the lamp, the current in the half-bridge increases and thus the voltage across resistor RCS increases above the over-current threshold signaling a fault. Figure 8 shows the voltage across resistor RCS and the voltage appearing across the lamp when the ballast detects a failure to ignite the lamp and goes into Fault mode. Figure 9 shows the voltage appearing across the lamp during the tail end of the Preheat mode and the Ignition mode for a failure of the lamp to ignite condition. If the upper filament is open, the half-bridge output hard-switches and each time the low side MOSFET (M3) is turned on a large current pulse occurs and thus a large voltage pulse occurs across resistor RCS signaling a fault, Figure 10 shows this hard-switching condition. Figure 11 shows the lamp voltage during the Preheat mode and beginning of Ignition Ramp mode for this hard-switching condition when the lamp fault condition is detected. The ballast will remain in Fault mode until either the line voltage is cycled or a lamp replacement is performed.

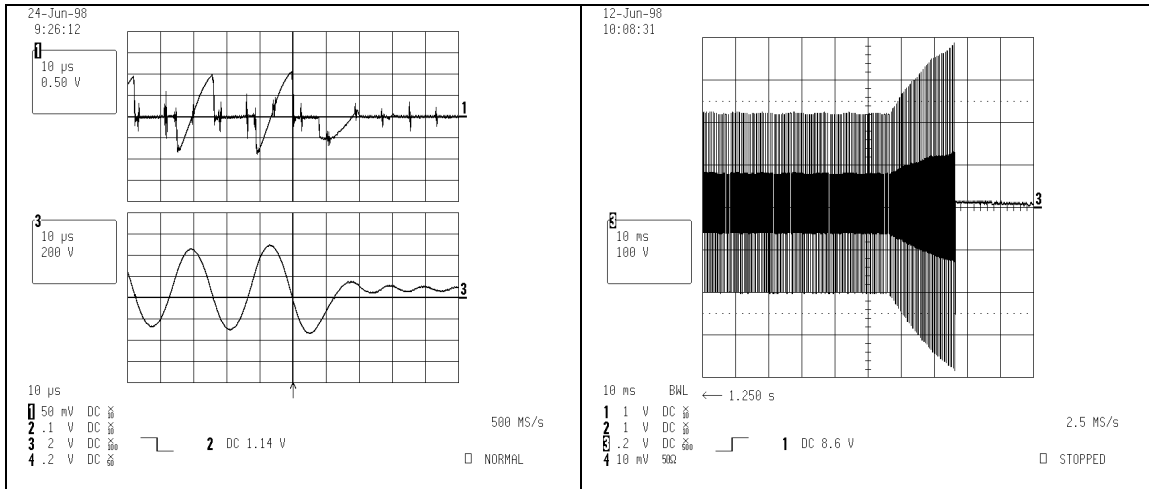


Figure 8, Failure of lamp to ignite condition (lamp filaments good): Upper trace: voltage across RCS, Lower trace: lamp voltage

Figure 9, Failure of lamp to ignite condition (lamp filaments good): Lamp voltage during the end of Preheat and Ignition Ramp modes

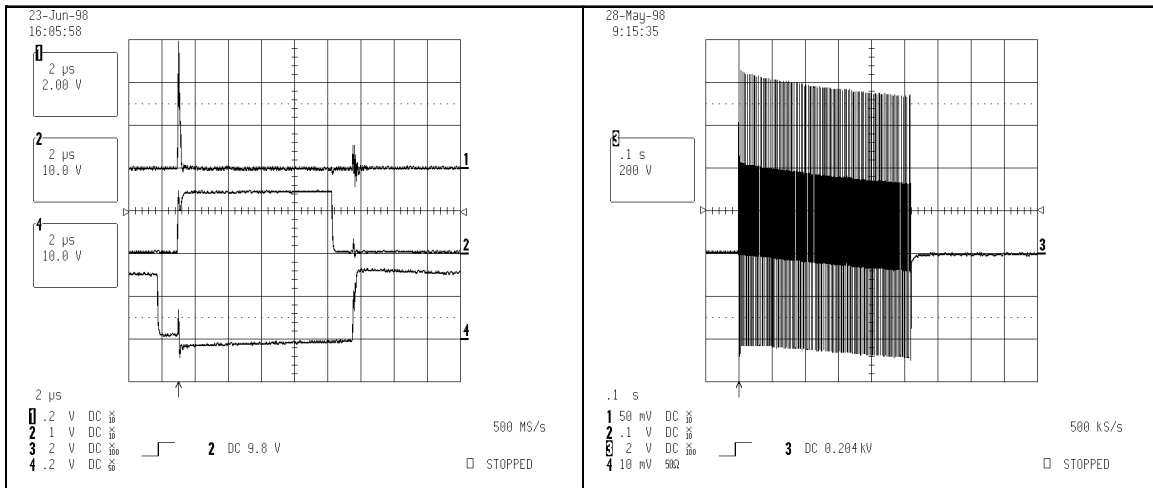


Figure 10, Hard-switching condition (upper filament open): Upper trace: voltage across RCS, Middle trace: IC2 LO pin voltage, Lower trace: IC2 HO-VS pin voltage

Figure 11, Hard-switching condition (upper filament open): Lamp voltage during Preheat mode and beginning of Ignition Ramp mode when lamp fault is detected