

1. General Description

This EPROM-Based 8-bit micro-controller uses a fully static CMOS technology process to achieve higher speed and smaller size with the low power consumption and high noise immunity. On chip memory includes 1K words of ROM, and 36 bytes of static RAM.

2. Features

The followings are some of the features on the hardware and software :

- ◆ Fully CMOS static design
- ◆ 8-bit data bus
- ◆ On chip EPROM size : 1.0 K words
- ◆ Internal RAM size : 49 bytes
(36 general purpose registers, 13 special registers)
- ◆ 37 single word instructions
- ◆ 14-bit instructions
- ◆ 8-level stacks
- ◆ Operating voltage : 2.5 V ~ 5.5 V (PRD Disable)
- ◆ 4.5 V ~ 5.5 V (PRD Enable)
- ◆ Operating frequency : DC ~ 20 MHz
- ◆ The most fast execution time is 200 ns under 20 MHz in all single cycle instructions except the branch instruction
- ◆ Addressing modes include direct, indirect and relative addressing modes
- ◆ Power-on Reset
- ◆ Power edge-detector Reset
- ◆ Power range-detector Reset
- ◆ Sleep Mode for power saving
- ◆ 3 interrupt sources:
 - External INT pin
 - TMR0 timer
 - PortB<7:4> interrupt on change

- ◆ 4 types of oscillator can be selected by programming option:
 - RC - Low cost RC oscillator
 - LFXT - Low frequency crystal oscillator
 - XTAL - Standard crystal oscillator
 - HFXT - High frequency crystal oscillator
- ◆ 8-bit real time clock/counter(RTCC) with 8-bit programmable prescaler
- ◆ On-chip RC oscillator based Watchdog Timer(WDT)
- ◆ 13 I/O pins with their own independent direction control

3. Applications

The application areas of this MDT2060 range from appliance motor control and high speed automotive to low power remote transmitters/receivers, pointing devices, and telecommunications processors, such as Remote controller, small instruments, chargers, toy, automobile and PC peripheral ... etc.

4. Pin Assignment

PA2	1	18	PA1
PA3	2	17	PA0
PA4/RTCC	3	16	OSC1
/MCLR	4	15	OSC2
V _{ss}	5	14	V _{dd}
PB0/INT	6	13	PB7
PB1	7	12	PB6
PB2	8	11	PB5
PB3	9	10	PB4

5. Pin Function Description

Pin Name	I/O	Function Description
PA0~PA3	I/O	Port A, TTL input level
PB0~PB7	I/O	Port B, TTL input level / PB0:External interrupt input , PB4~PB7:Interrupt on pin change
RTCC/PA4	I/O	Real Time Clock/Counter, Schmitt Trigger input levels Open drain output
/MCLR	I	Master Clear, Schmitt Trigger input levels
OSC1	I	Oscillator Input
OSC2	O	Oscillator Output
V _{dd}		Power supply
V _{ss}		Ground

6. Memory Map

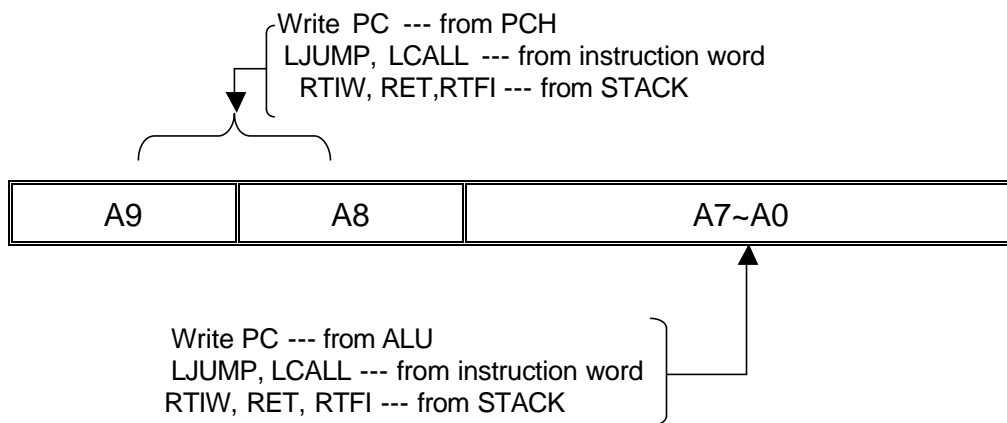
(A) Register Map

Address	Description
BANK0	
00	Indirect Addressing Register
01	RTCC
02	PCL
03	STATUS
04	MSR
05	Port A
06	Port B
0A	PCH
0B	INTS
0C~2F	General purpose register
BANK1	
01	TMR
05	CPIO A
06	CPIO B
07	PSTA

(1) IAR (Indirect Address Register) : R00

(2) RTCC (Real Time Counter/Counter Register) : R01

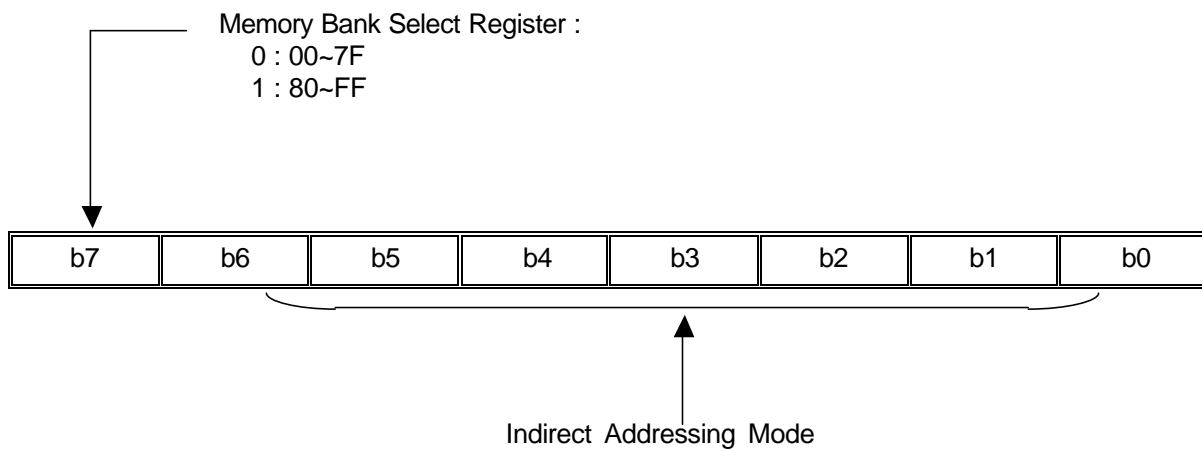
(3) PC (Program Counter) : R02,R0A



(4) STATUS (Status register) : R03

Bit	Symbol	Function
0	C	Carry bit
1	HC	Half Carry bit
2	Z	Zero bit
3	PF	Power down Flag bit
4	TF	WDT Timer overflow Flag bit
5	RBS0	Register Bank Select bit : 0 : 00H --- 7FH 1 : 80H --- FFH
7~6	—	General purpose bit

(5) MSR (Memory Bank Select Register) : R4



(6) PORT A : R05
PA4~PA0, I/O Register

(7) PORT B : R06
PB7~PB0, I/O Register

(8)PCH (High byte of PC) : R0A

Bit	Function
1~0	High byte of PC
7~2	Unimplemented, reads as ' 0 '

(9) INTS (Interrupt Status Register) : R0B

Bit	Symbol	Function
0	RBIF	PORT B change interrupt flag. Set when PB <7:4> inputs change
1	INTF	Set when INT interrupt occurs. INT interrupt flag.
2	TIF	Set when TMR overflows.
3	RBIE	0 : disable PB change interrupt 1 : enable PB change interrupt
4	INTS	0 : disable INT interrupt 1 : enable INT interrupt
5	TIS	0 : disable TMR interrupt 1 : enable TMR interrupt
6	--	Unimplemented
7	GIS	0 : disable global interrupt 1 : enable global interrupt

(10) TMR (Time Mode Register) : R81

Bit	Symbol	Function		
		Prescaler Value	RTCC rate	WDT rate
2—0	PS2—0	0 0 0	1 : 2	1 : 1
		0 0 1	1 : 4	1 : 2
		0 1 0	1 : 8	1 : 4
		0 1 1	1 : 16	1 : 8
		1 0 0	1 : 32	1 : 16
		1 0 1	1 : 64	1 : 32
		1 1 0	1 : 128	1 : 64
		1 1 1	1 : 256	1 : 128

Bit	Symbol	Function
3	PSC	Prescaler assignment bit : 0 — RTCC 1 — Watchdog Timer
4	TCE	RTCC signal Edge : 0 — Increment on low-to-high transition on RTCC pin 1 — Increment on high-to-low transition on RTCC pin
5	TCS	RTCC signal set : 0 — Internal instruction cycle clock 1 — Transition on RTCC pin
6	IES	Interrupt edge select 0 — Interrupt on falling edge on PB0 1 — Interrupt on rising edge on PB0
7	PBPH	PORTB pull-hi 0 — PORTB pull-hi are enable 1 — PORTB pull-hi are disable

(11) CPIO A (Control Port I/O Mode Register) : R85

= "0", I/O pin in output mode;

= "1", I/O pin in input mode.

(12) CPIO B (Control Port I/O Mode Register) : R86

= "0", I/O pin in output mode;

= "1", I/O pin in input mode.

(13) PSTA : R87

Bit	Symbol	Function
0	PRDB	0:Power range-detector Reset occurred 1:No Power range-detector Reset Occurred
1	PORB	0:Power on Reset occurred 1:No Power on Reset occurred

(14) Configurable options for EPROM (Set by writer) :

Oscillator Type
RC Oscillator
HFXT Oscillator
XTAL Oscillator
LFXT Oscillator

Watchdog Timer control
Watchdog timer disable all the time
Watchdog timer enable all the time

Power-range control
Power-range disable
Power-range enable

Oscillator-start Timer control
0ms
80ms

Power-edge Detect
PED Disable
PED Enable

Security state
Security weak Disable
Security Disable
Security Enable

The default security state of EPROM is weak disable. Once the IC was set to enable or disable, it's forbidden to change.

(B) Program Memory

Address	Description
000-3FF	Program memory
000	The starting address of power on, external reset or WDT time-out reset.
004	Interrupt vector

7. Reset Condition for all Registers

Register	Address	Power-On Reset, Power range detector Reset	/MCLR or WDT Reset	Wake-up from SLEEP
IAR	00h	-	-	-
RTCC	01h	xxxx xxxx	uuuu uuuu	uuuu uuuu
PC	0Ah,02h	00 0000 0000	00 0000 0000	00 0000 0100
STATUS	03h	0001 1xxx	000# #uuu	000# #uuu
MSR	04h	xxxx xxxx	uuuu uuuu	uuuu uuuu
PORT A	05h	- - -1 xxxx	- - -1 uuuu	- - -u uuuu
PORT B	06h	xxxx xxxx	uuuu uuuu	uuuu uuuu
INTS	0Bh	0000 0001	0000 000u	uuuu uuuu
TMR	81h	1111 1111	1111 1111	uuuu uuuu

Register	Address	Power-On Reset, Power range detector Reset	/MCLR or WDT Reset	Wake-up from SLEEP
CPIOA	85h	- - -1 1111	- - -1 1111	- - -u uuuu
CPIOB	86h	1111 1111	1111 1111	uuuu uuuu
PSTA	87h	- - - - - -qq	- - - - - -uu	- - - - - -uu

Note : u = unchanged, x = unknown, - = unimplemented, read as "0"

= value depends on the condition of the following table

Condition	Status: bit 4	Status: bit 3	Status: bit 1	Status: bit 0
/MCLR reset (not during SLEEP)	u	u	1	1
/MCLR reset during SLEEP	1	0	1	1
WDT reset (not during SLEEP)	0	1	1	1
WDT reset during SLEEP	0	0	1	1
Power on reset	1	1	0	X
Power range-detector Reset	1	1	1	0

8. Instruction Set :

Instruction Code	Mnemonic Operands	Function	Operating	Status
010000 00000000	NOP	No operation	None	
010000 00000001	CLRWT	Clear Watchdog timer	0 WT	TF, PF
010000 00000010	SLEEP	Sleep mode	0 WT, stop OSC	TF, PF
010000 00000011	TMODE	Load W to TMODE register	W TMODE	None
010000 00000100	RET	Return from subroutine	Stack PC	None
010000 00000rrr	CPIO R	Control I/O port register	W CPIO r	None
010001 1rrrrrrr	STWR R	Store W to register	W R	None
011000 trrrrrr	LDR R, t	Load register	R t	Z
111010 iiiiii	LDWI I	Load immediate to W	I W	None
010111 trrrrrr	SWAPR R, t	Swap halves register	[R(0~3) ↔ R(4~7)] t	None
011001 trrrrrr	INCR R, t	Increment register	R + 1 t	Z
011010 trrrrrr	INCRSZ R, t	Increment register, skip if zero	R + 1 t	None
011011 trrrrrr	ADDWR R, t	Add W and register	W + R t	C, HC, Z
011100 trrrrrr	SUBWR R, t	Subtract W from register	R - W t or (R+/W+1 t)	C, HC, Z
011101 trrrrrr	DECR R, t	Decrement register	R - 1 t	Z
011110 trrrrrr	DECRSZ R, t	Decrement register, skip if zero	R - 1 t	None

This specification are subject to be changed without notice. Any latest information

Instruction Code	Mnemonic Operands	Function	Operating	Status
010010 trrrrrr	ANDWR R, t	AND W and register	R W t	Z
110100 iiiiii	ANDWI i	AND W and immediate	i W W	Z
010011 trrrrrr	IORWR R, t	Inclu. OR W and register	R W t	Z
110101 iiiiii	IORWI i	Inclu. OR W and immediate	i W W	Z
010100 trrrrrr	XORWR R, t	Exclu. OR W and register	R W t	Z
110110 iiiiii	XORWI i	Exclu. OR W and immediate	i W W	Z
011111 trrrrrr	COMR R, t	Complement register	/R t	Z
010110 trrrrrr	RRR R, t	Rotate right register	R(n) R(n-1), C R(7), R(0) C	C
010101 trrrrrr	RLR R, t	Rotate left register	R(n) r(n+1), C R(0), R(7) C	C
010000 1xxxxxx	CLRW	Clear working register	0 W	Z
010001 0rrrrrr	CLRR R	Clear register	0 R	Z
0000bb brrrrrr	BCR R, b	Bit clear	0 R(b)	None
0010bb brrrrrr	BSR R, b	Bit set	1 R(b)	None
0001bb brrrrrr	BTSC R, b	Bit Test, skip if clear	Skip if R(b)=0	None
0011bb brrrrrr	BTSS R, b	Bit Test, skip if set	Skip if R(b)=1	None
100nnn nnnnnnn	LCALL n	Long CALL subroutine	n PC, PC+1 Stack	None
101nnn nnnnnnn	LJUMP n	Long JUMP to address	n PC	None
110111 iiiiii	ADDWI i	Add immediate to W	W+i W	C,HC,Z
110001 iiiiii	RTIW i	Return, place immediate to W	Stack PC,i W	None
111000 iiiiii	SUBWI i	Subtract W from immediate	i-W W	C,HC,Z
010000 00001001	RTFI	Return from interrupt	Stack PC,1 GIS	None

Note :

W	: Working register	b	: Bit position
WT	: Watchdog timer	t	: Target
TMODE	: TMODE mode register	0	: Working register
CPIO	: Control I/O port register	1	: General register
TF	: Timer overflow flag	R	: General register address
PF	: Power loss flag	C	: Carry flag
PC	: Program Counter	HC	: Half carry
OSC	: Oscillator	Z	: Zero flag
Inclu.	: Inclusive ' '	/	: Complement
Exclu.	: Exclusive ' '	x	: Don't care
AND	: Logic AND ' '	i	: Immediate data (8 bits)
		n	: Immediate address

This specification are subject to be changed without notice. Any latest information

9. Electrical Characteristics

*Note: Temperature=25°C

1.Operation Current :

(1) HF (C=10p) , WDT - enable, PRD – disable

	4M	10M	20M	Sleep	Sleep , WDT-disable , PRD-disable
2.5V	200u	500u	900u	1u	1u
3.0V	300u	680u	1.1m	3u	1u
4.0V	530u	1.0m	1.7m	8u	1u
5.0V	800u	1.5m	2.5m	20u	1u
6.4V	1.4m	2.5m	3.8m	45u	1u

(2) XT (C=10p) , WDT - enable, PRD – disable

	1M	4M	10M	Sleep	Sleep , WDT-disable , PRD-disable
2.5V	50u	150u	300u	1u	1u
3.0V	100u	280u	550u	3u	1u
4.0V	220u	500u	1m	8u	1u
5.0V	400u	800u	1.3m	20u	1u
6.4V	720u	1.3m	2.1m	45u	1u

(3) RC, WDT - Enable; PRD - Disable; @Vdd = 5.0V

C	R	Freq.	Current	Sleep , WDT-disable , PRD-disable
3p	4.7k	12.4M	1.6m	1u
	10k	6.3M	900u	1u
	47k	1.42M	250u	1u
	100k	715K	160u	1u
	300k	235K	110u	1u
	470k	146K	90u	1u
20p	4.7k	5.8M	900u	1u
	10k	2.9M	500u	1u
	47k	660K	180u	1u
	100k	318K	120u	1u
	300k	105K	90u	1u
	470k	66K	85u	1u

This specification are subject to be changed without notice. Any latest information

please preview <http://www.mdtic.com.tw>

C	R	Freq.	Current	Sleep , WDT-disable , PRD-disable
100p	4.7k	1.75M	320u	1u
	10k	880K	200u	1u
	47k	190K	110u	1u
	100k	92K	95u	1u
	300k	31K	90u	1u
	470k	19K	85u	1u
300p	4.7k	800K	180u	1u
	10k	380K	130u	1u
	47k	83K	100u	1u
	100k	39K	95u	1u
	300k	13K	90u	1u
	470k	8K	85u	1u

(4) LF (C=10p) , WDT - disable, PRD - disable,

	32K	455K	1M	Sleep
2.5V	5u	35u	50u	1u
3.0V	6u	40u	70u	1u
4.0V	12u	65u	110u	1u
5.0V	30u	100u	150u	1u
6.4V	130u	165u	250u	1u

2. Input Voltage (Vdd = 5V) :

	Port	Min	Max
Vil	TTL	Vss	1.0V
	Schmitt trigger	Vss	0.6V
Vih	TTL	2.2V	Vdd
	Schmitt trigger	3.5V	Vdd

3. Output Voltage (Vdd = 5V) :

	PA,PB	Condition
Voh	4.0V	Ioh = -20mA
Vol	0.7V	Iol = 20mA
Voh	4.4V	Ioh = -5mA
Vol	0.3v	Iol = 5mA

4. Output Current (Max.) (Vdd = 5V) :

Port A:		Current
	source current	30mA
	sink current	50mA

Port B:		Current
	source current	30mA
	sink current	50mA

5. The basic WDT time-out cycle time :

	Time
2.5V	25
3.0V	23
4.0V	20
5.0V	18
6.3V	16

Unit = ms

6. PRD :

(1)PRD reset voltage :

	Voltage
Vh	4.0±5%
VI	3.6±5%

Unit = V

(2) PRD reset current :

	Current
4.0V	100
3.6V	80

Unit = uA

7. Min Operation Voltage :

C =>	10p	20p	30p
XT, 20M	2.5	3.0	3.3
HF, 20M	2.5	2.8	3.0

Unit = V

RC, 1k, no cap.	2.5
-----------------	-----

Unit = V

C =>	0p	10p	20p
LF, 1M	2.5	2.5	2.5

Unit = V

8. MCLR filter time :

Vdd=5V

time	720
------	-----

Unit = ns

Copyright © Each Manufacturing Company.

All Datasheets cannot be modified without permission.

This datasheet has been download from :

www.AllDataSheet.com

100% Free DataSheet Search Site.

Free Download.

No Register.

Fast Search System.

www.AllDataSheet.com