



16-Bit I/O Expander IC

PT8300

DESCRIPTION

PT8300 is an I/O expander utilizing CMOS Technology providing 16 bits serial input-parallel output and 8 bits parallel input-serial output shift register function. 8 input pins or 16 output pins can be configured to a cascading or parallel structure. Reading of serial data during the parallel to serial data conversion is enabled by the built-in independent registers for serial input to parallel output and parallel input to serial output. Housed in 28 pins, SO Package, PT8300 provides 8 input or 16 output pins which can be configured into a cascading structure. Pin assignments and application circuits are optimized for easy PCB layout and cost saving benefits.

FEATURES

- CMOS Technology
- Low Power Consumption:
- Wide Operating Supply Voltage Range: VDD=3 to 5.5V
- Wide Operating Temperature Range: Ta=-20 to +75°C
- Reading of the Serial Data during Parallel to Serial Data Conversion
- 8 Output Pins or 8 Input/ Output Pins provided
- Schmitt Triggered Inputs (DI1,DI2,CLK,LATCH, /RESET,PULLUP)
- Parallel Data Inputs provided (P8 to P15)
- Open Drain with selectable pull up resistance ports provided (P8 to P15)
- Normal Output Ports provided (P0 to P7)
- Port Extension is supported

APPLICATIONS

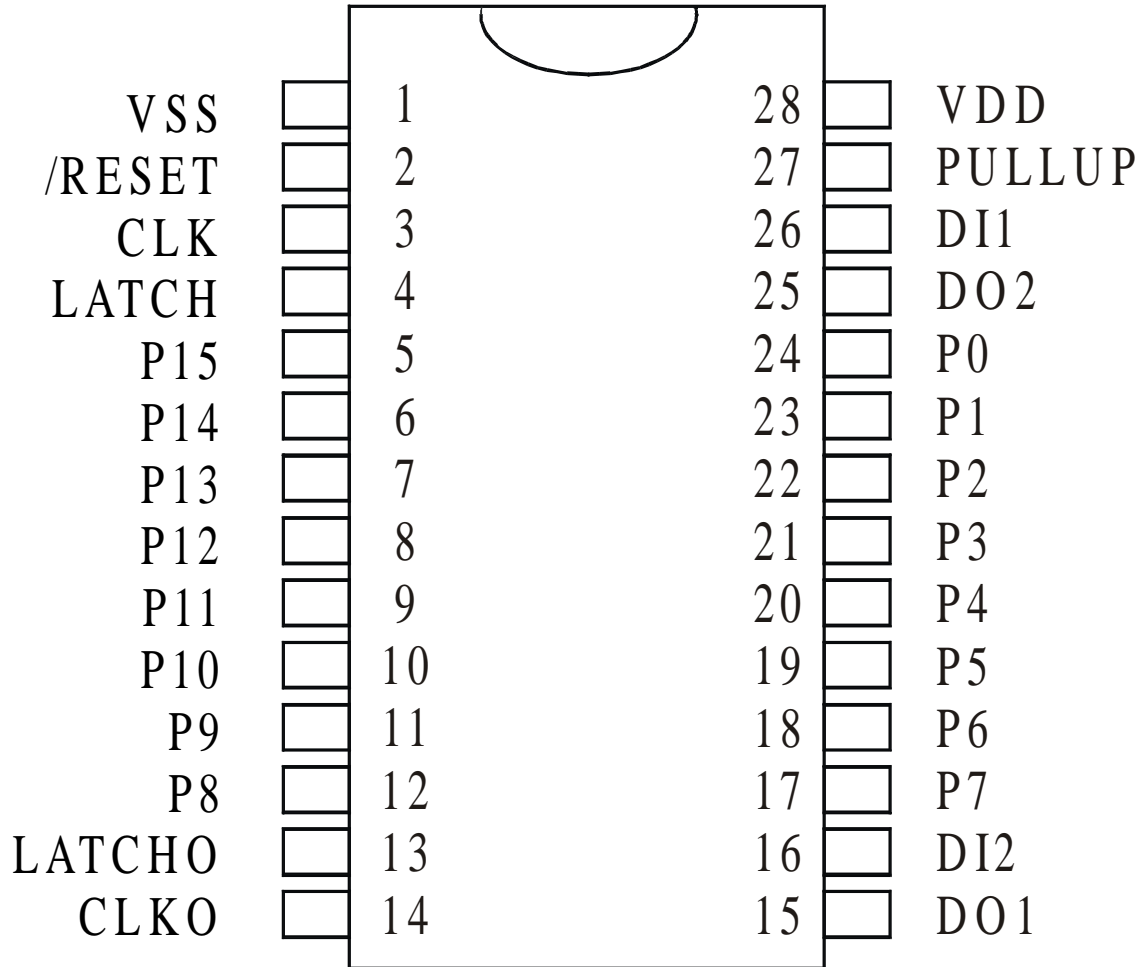
- MCU Peripheral Device
- Serial Bus System Data Communication



16-Bit I/O Expander IC

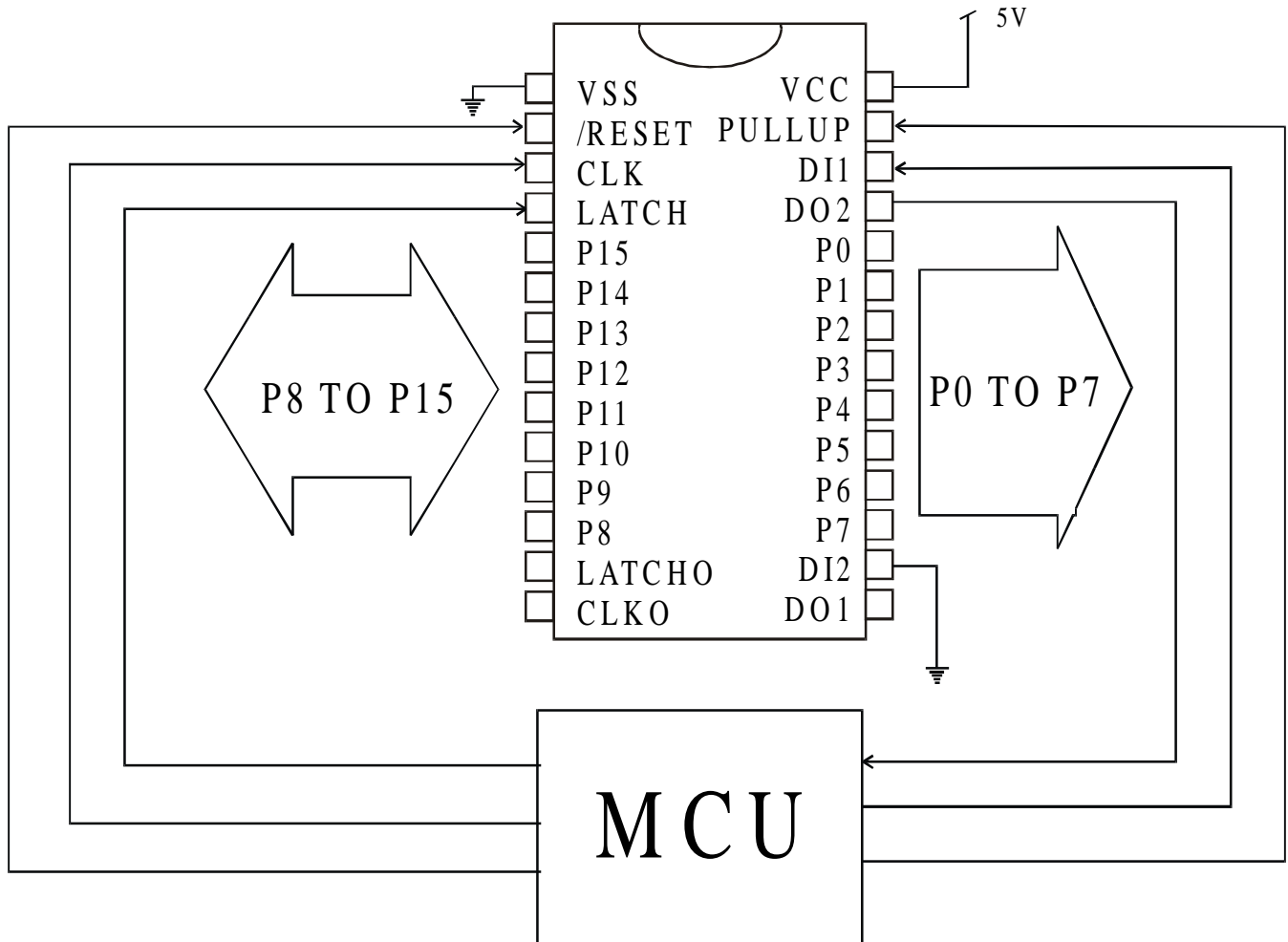
PT8300

PIN CONFIGURATION





APPLICATION CIRICUIT 1





16-Bit I/O Expander IC

PT8300

APPLICATION CIRCUIT 2

