

TOSHIBA CMOS DIGITAL INTEGRATED CIRCUIT SILICON MONOLITHIC

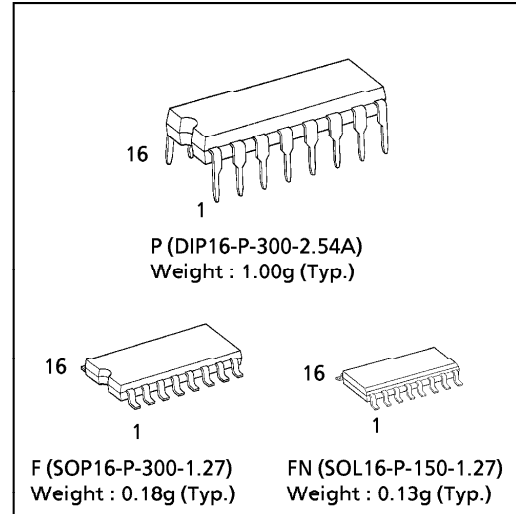
# TC4021BP, TC4021BF, TC4021BFN

## TC4021B 8-STAGE STATIC SHIFT REGISTER (ASYNCHRONOUS PARALLEL INPUT OR SYNCHRONOUS SERIAL INPUT/SERIAL OUTPUT)

(Note) The JEDEC SOP (FN) is not available in Japan.

TC4021B is 8 stage parallel in/serial out shift register, which can be used also for serial in/serial out operations. In the case of parallel operation, the data of PARALLEL IN is input to each F/F asynchronously with CLOCK and the output is obtained. In the case of serial operations, each F/F is triggered by rising edge of CLOCK. (ASYNCHRONOUS PARALLEL OR SYNCHRONOUS SERIAL INPUT)

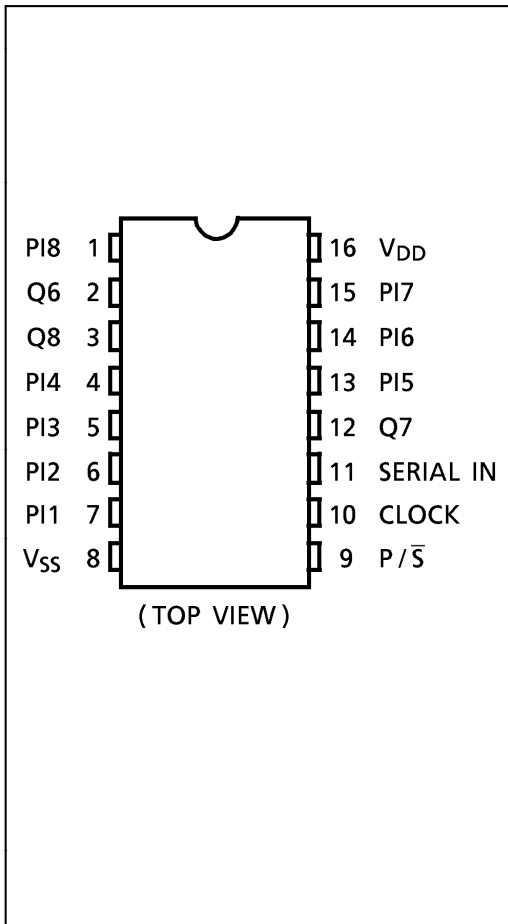
Switching of PARALLEL operation and SERIAL operation is achieved by P/ $\bar{S}$  CONTROL input. When P/ $\bar{S}$  CONTROL input is "H", PARALLEL operation is designated and when it is "L", SERIAL operation is designated.



### MAXIMUM RATINGS

CHARACTERISTIC	SYMBOL	RATING	UNIT
DC Supply Voltage	$V_{DD}$	$V_{SS} - 0.5 \sim V_{SS} + 20$	V
Input Voltage	$V_{IN}$	$V_{SS} - 0.5 \sim V_{DD} + 0.5$	V
Output Voltage	$V_{OUT}$	$V_{SS} - 0.5 \sim V_{DD} + 0.5$	V
DC Input Current	$I_{IN}$	$\pm 10$	mA
Power Dissipation	$P_D$	300 (DIP) / 180 (SOIC)	mW
Operating Temperature Range	$T_{opr}$	-40~85	°C
Storage Temperature Range	$T_{stg}$	-65~150	°C

### PIN ASSIGNMENT



### TRUTH TABLE

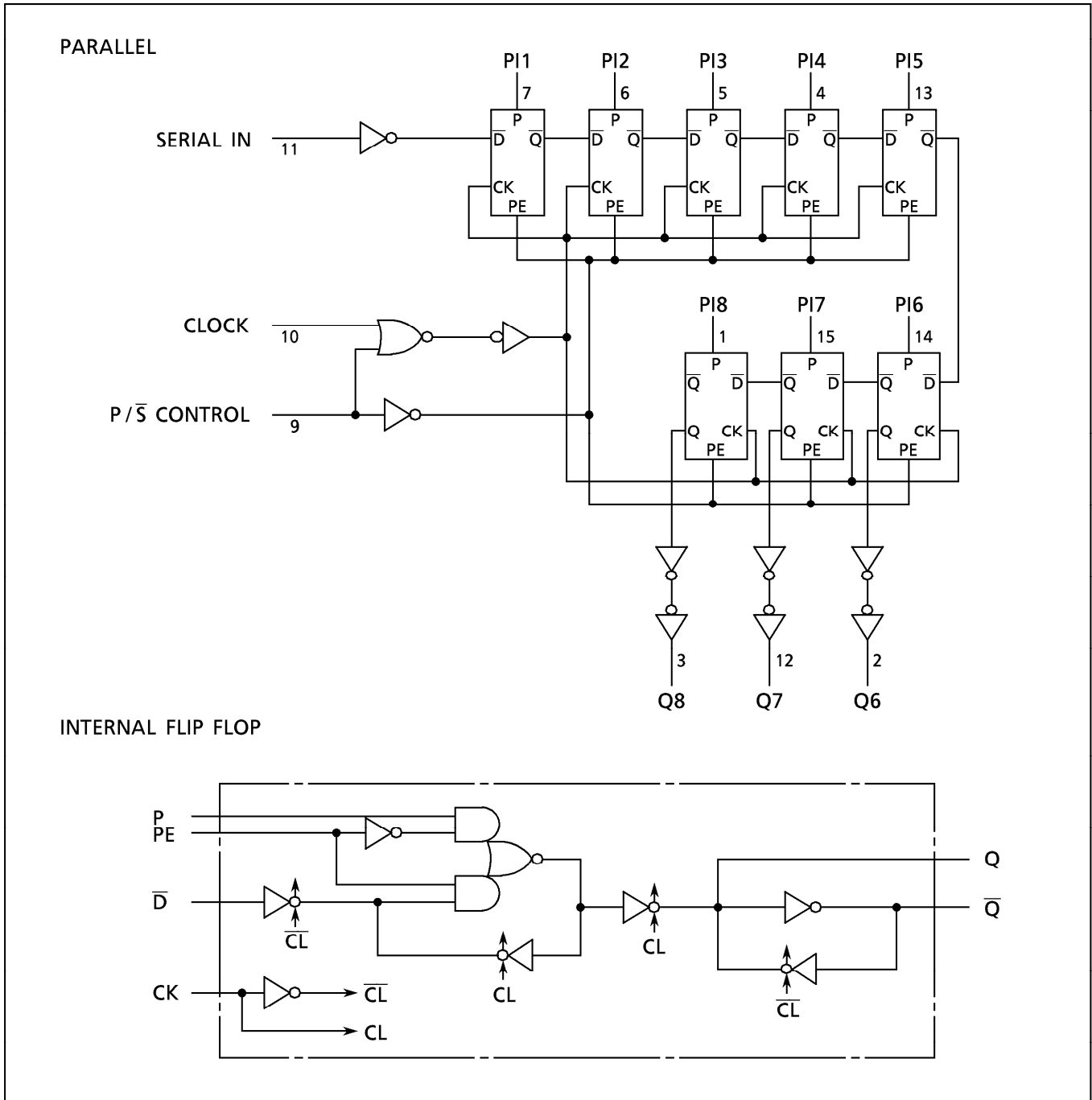
CLOCK $\Delta\Delta$	INPUTS				OUTPUTS $\Delta$	
	P/ $\bar{S}$	PI1	PI $n$	SI	Q1	Q $n$
	L	※	※	L	L	Q $n$ - 1
	L	※	※	H	H	Q $n$ - 1
	L	※	※	※	No Change	
※	H	L	L	※	L	L
※	H	L	H	※	L	H
※	H	H	L	※	H	L
※	H	H	H	※	H	H

n : 2 ~ 8  
 $\Delta$  : Q1 ~ Q5 Internal  
 $\Delta\Delta$  : Level Change  
 ※ : Don't Care

961001EBA2

● TOSHIBA is continually working to improve the quality and the reliability of its products. Nevertheless, semiconductor devices in general can malfunction or fail due to their inherent electrical sensitivity and vulnerability to physical stress. It is the responsibility of the buyer, when utilizing TOSHIBA products, to observe standards of safety, and to avoid situations in which a malfunction or failure of a TOSHIBA product could cause loss of human life, bodily injury or damage to property. In developing your designs, please ensure that TOSHIBA products are used within specified operating ranges as set forth in the most recent products specifications. Also, please keep in mind the precautions and conditions set forth in the TOSHIBA Semiconductor Reliability Handbook.

LOGIC DIAGRAM



961001EBA2'

- The products described in this document are subject to foreign exchange and foreign trade control laws.
- The information contained herein is presented only as a guide for the applications of our products. No responsibility is assumed by TOSHIBA CORPORATION for any infringements of intellectual property or other rights of the third parties which may result from its use. No license is granted by implication or otherwise under any intellectual property or other rights of TOSHIBA CORPORATION or others.
- The information contained herein is subject to change without notice.

**RECOMMENDED OPERATING CONDITIONS ( $V_{SS} = 0V$ )**

CHARACTERISTIC	SYMBOL	TEST CONDITION	MIN.	TYP.	MAX.	UNIT
DC Supply Voltage	$V_{DD}$		3	—	18	V
Input Voltage	$V_{IN}$		0	—	$V_{DD}$	V

**STATIC ELECTRICAL CHARACTERISTICS ( $V_{SS} = 0V$ )**

CHARACTERISTIC	SYM-BOL	TEST CONDITION	$V_{DD}$ (V)	- 40°C		25°C			85°C		UNIT
				MIN.	MAX.	MIN.	TYP.	MAX.	MIN.	MAX.	
High-Level Output Voltage	$V_{OH}$	$ I_{OUT}  < 1\mu A$ $V_{IN} = V_{SS}, V_{DD}$	5	4.95	—	4.95	5.00	—	4.95	—	V
			10	9.95	—	9.95	10.00	—	9.95	—	
			15	14.95	—	14.95	15.00	—	14.95	—	
Low-Level Output Voltage	$V_{OL}$	$ I_{OUT}  < 1\mu A$ $V_{IN} = V_{SS}, V_{DD}$	5	—	0.05	—	0.00	0.05	—	0.05	V
			10	—	0.05	—	0.00	0.05	—	0.05	
			15	—	0.05	—	0.00	0.05	—	0.05	
Output High Current	$I_{OH}$	$V_{OH} = 4.6V$ $V_{OH} = 2.5V$ $V_{OH} = 9.5V$ $V_{OH} = 13.5V$ $V_{IN} = V_{SS}, V_{DD}$	5	-0.61	—	-0.51	-1.0	—	-0.42	—	mA
			5	-2.50	—	-2.10	-4.0	—	-1.70	—	
			10	-1.50	—	-1.30	-2.2	—	-1.10	—	
			15	-4.00	—	-3.40	-9.0	—	-2.80	—	
Output Low Current	$I_{OL}$	$V_{OL} = 0.4V$ $V_{OL} = 0.5V$ $V_{OL} = 1.5V$ $V_{IN} = V_{SS}, V_{DD}$	5	0.61	—	0.51	1.5	—	0.42	—	mA
			10	1.50	—	1.30	3.8	—	1.10	—	
			15	4.00	—	3.40	15.0	—	2.80	—	
Input High Voltage	$V_{IH}$	$V_{OUT} = 0.5V, 4.5V$ $V_{OUT} = 1.0V, 9.0V$ $V_{OUT} = 1.5V, 13.5V$ $ I_{OUT}  < 1\mu A$	5	3.5	—	3.5	2.75	—	3.5	—	V
			10	7.0	—	7.0	5.50	—	7.0	—	
			15	11.0	—	11.0	8.25	—	11.0	—	
Input Low Voltage	$V_{IL}$	$V_{OUT} = 0.5V, 4.5V$ $V_{OUT} = 1.0V, 9.0V$ $V_{OUT} = 1.5V, 13.5V$ $ I_{OUT}  < 1\mu A$	5	—	1.5	—	2.25	1.5	—	1.5	V
			10	—	3.0	—	4.50	3.0	—	3.0	
			15	—	4.0	—	6.75	4.0	—	4.0	
Input Current	"H" Level	$I_{IH}$	$V_{IH} = 18V$	18	—	0.1	—	$10^{-5}$	0.1	—	$\mu A$
	"L" Level	$I_{IL}$	$V_{IL} = 0V$	18	—	-0.1	—	$-10^{-5}$	-0.1	—	-1.0
Quiescent Supply Current	$I_{DD}$	$V_{IN} = V_{SS}, V_{DD} *$	5	—	5	—	0.005	5	—	150	$\mu A$
			10	—	10	—	0.010	10	—	300	
			15	—	20	—	0.020	20	—	600	

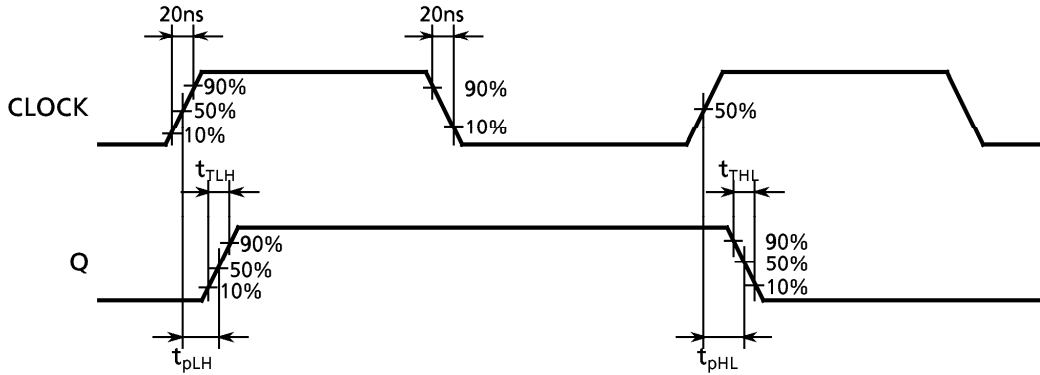
\* All valid input combinations.

## DYNAMIC ELECTRICAL CHARACTERISTICS (Ta = 25°C, Vss = 0V, CL = 50pF)

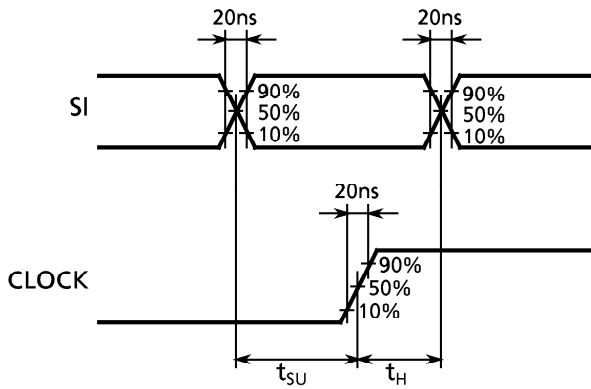
CHARACTERISTIC	SYMBOL	TEST CONDITION	V <sub>DD</sub> (V)	MIN.	TYP.	MAX.	UNIT
Output Transition Time (Low to High)	t <sub>TLH</sub>		5	—	80	200	ns
			10	—	50	100	
			15	—	40	80	
Output Transition Time (High to Low)	t <sub>THL</sub>		5	—	80	200	ns
			10	—	50	100	
			15	—	40	80	
Propagation Delay Time (CLOCK - Q)	t <sub>pLH</sub> t <sub>pHL</sub>		5	—	150	320	ns
			10	—	65	160	
			15	—	45	120	
Propagation Delay Time (P/ $\bar{S}$ - Q)	t <sub>pLH</sub> t <sub>pHL</sub>		5	—	230	460	ns
			10	—	90	180	
			15	—	60	120	
Max. Clock Frequency	f <sub>CL</sub>		5	3.0	6.5	—	MHz
			10	6.0	18.0	—	
			15	8.5	24.0	—	
Min. Clock Pulse Width	t <sub>w</sub>		5	—	80	180	ns
			10	—	30	80	
			15	—	20	50	
Max. Clock Rise Time Max. Clock Fall Time	t <sub>rCL</sub> t <sub>fCL</sub>		5	20.0	—	—	$\mu$ s
			10	2.5	—	—	
			15	1.0	—	—	
Min. Set-up Time (SI - CLOCK)	t <sub>SU</sub>		5	—	40	120	ns
			10	—	20	80	
			15	—	15	60	
Min. Set-up Time (PI - P/ $\bar{S}$ )	t <sub>SU</sub>		5	—	25	50	ns
			10	—	15	30	
			15	—	10	20	
Min. Hold Time (SI - CLOCK), (PI - P/ $\bar{S}$ )	t <sub>H</sub>		5	—	35	70	ns
			10	—	20	40	
			15	—	15	30	
Min. Pulse Width (P/ $\bar{S}$ - CONTROL)	t <sub>WH</sub>		5	—	90	180	ns
			10	—	30	80	
			15	—	10	50	
Min. Removal Time (P/ $\bar{S}$ - CLOCK)	t <sub>rem</sub>		5	—	45	280	ns
			10	—	20	140	
			15	—	15	100	
Input Capacitance	C <sub>IN</sub>			—	5	7.5	pF

WAVEFORMS FOR MEASUREMENT OF DYNAMIC CHARACTERISTICS

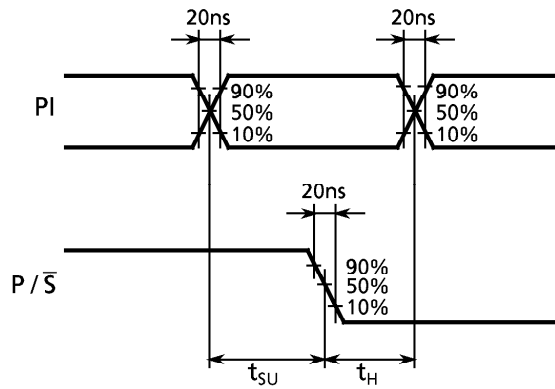
WAVEFORM 1



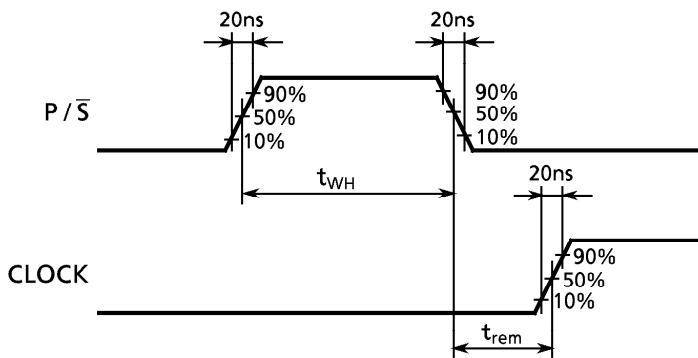
WAVEFORM 2



WAVEFORM 3



WAVEFORM 4



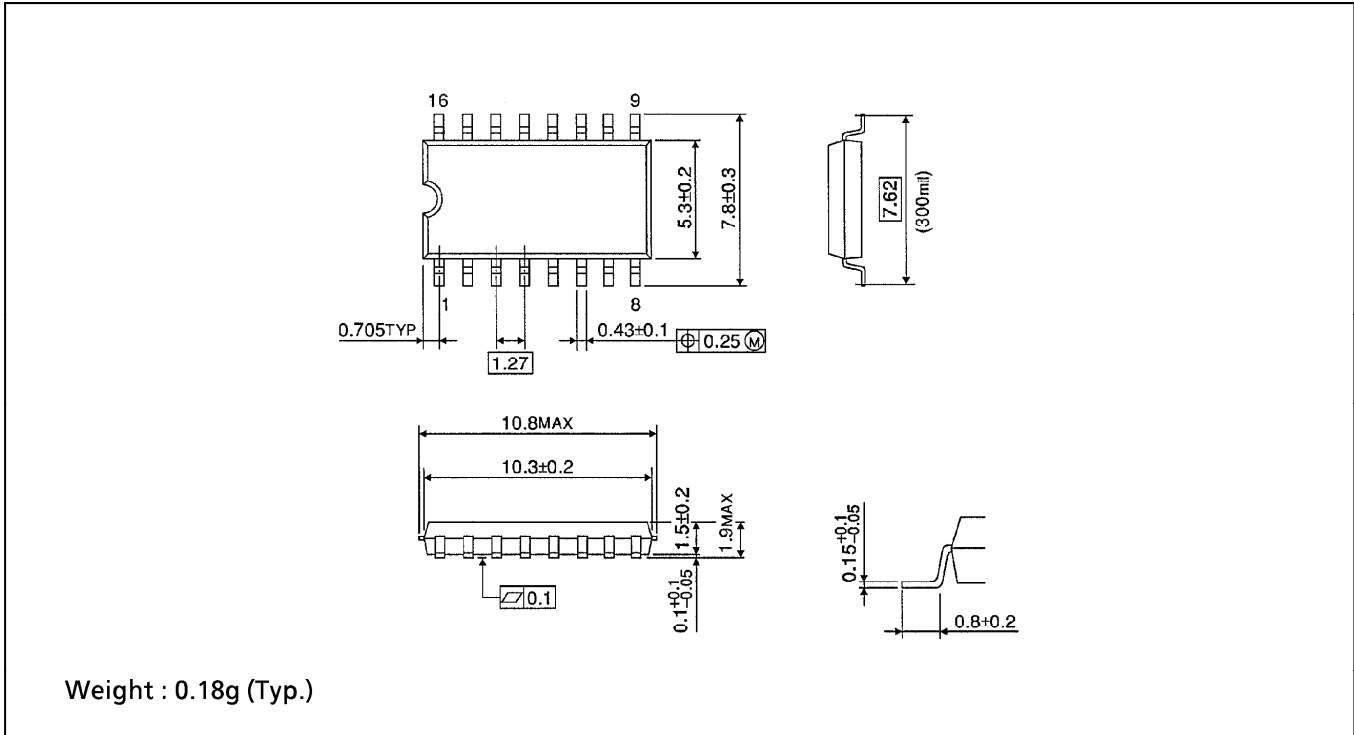
**DIP 16PIN OUTLINE DRAWING (DIP16-P-300-2.54A)**

Unit in mm



**SOP 16PIN (200mil BODY) OUTLINE DRAWING (SOP16-P-300-1.27)**

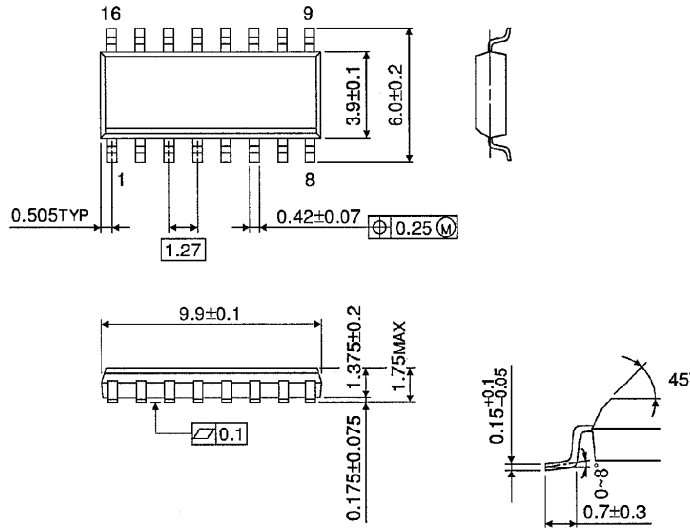
Unit in mm



**SOP 16PIN (150mil BODY) OUTLINE DRAWING (SOL16-P-150-1.27)**

Unit in mm

(Note) This package is not available in Japan.



Weight : 0.13g (Typ.)

Copyright Each Manufacturing Company.

All Datasheets cannot be modified without permission.

This datasheet has been download from :

[www.AllDataSheet.com](http://www.AllDataSheet.com)

100% Free DataSheet Search Site.

Free Download.

No Register.

Fast Search System.

[www.AllDataSheet.com](http://www.AllDataSheet.com)