



WM8728

24-bit, 192kHz Stereo DAC with Volume Control and DSD Support

Product Preview, Rev 1.2, April 2001

DESCRIPTION

The WM8728 is a high performance stereo DAC designed for audio applications such as DVD, home theatre systems, and digital TV. The WM8728 supports PCM data input word lengths from 16 to 32-bits and sampling rates up to 192kHz. Alternatively the WM8728 can operate in DSD compatible mode where a 64x bitstream is input for each channel. The WM8728 consists of a serial interface port, digital interpolation filters, multi-bit sigma delta modulators and stereo DAC in a small 20-pin SSOP package. The WM8728 also includes a digitally controllable mute and attenuate function for each channel.

The WM8728 supports a variety of connection schemes for audio DAC control. The 2 or 3-wire MPU serial port provides access to a wide range of features including on-chip mute, attenuation and phase reversal. A hardware controllable interface is also available (DSD operation is only possible in hardware mode).

The WM8728 is an ideal device to interface to AC-3™, DTS™, and MPEG audio decoders for surround sound applications, or for use in DVD players supporting DVD-A.

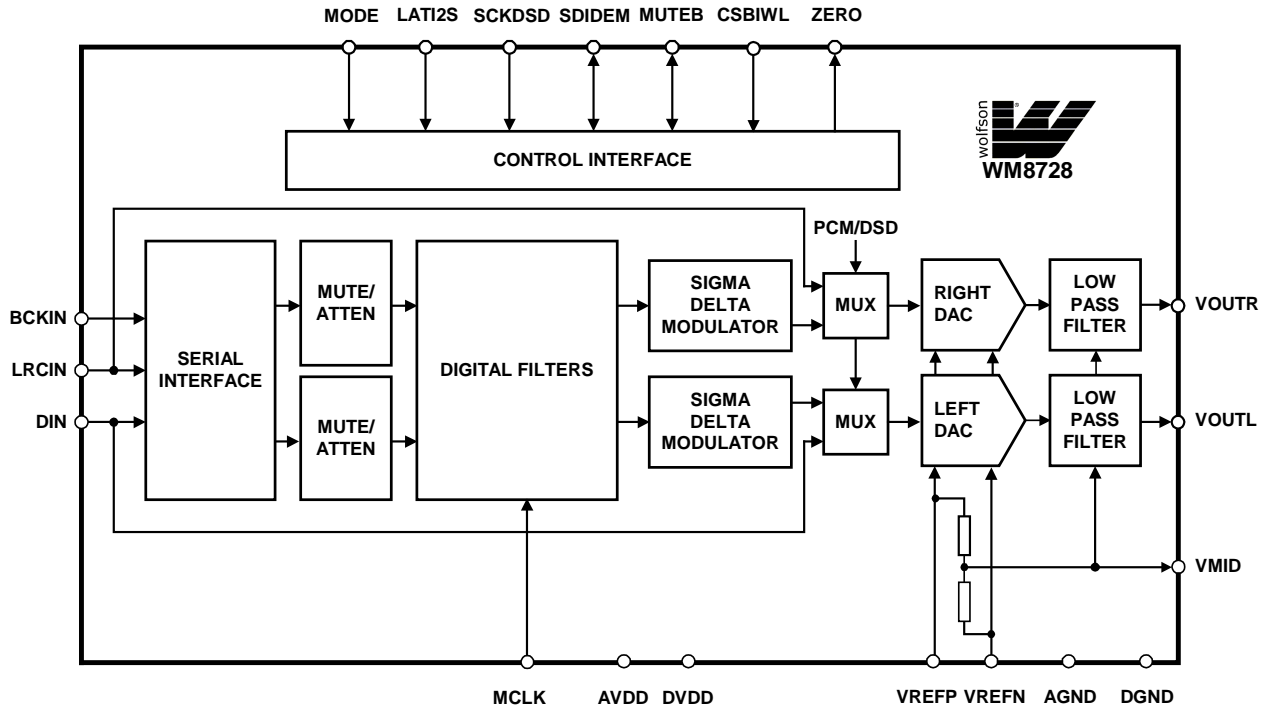
FEATURES

- Stereo DAC with 24 bit PCM or single bit DSD operation
- Audio Performance
 - 106dB SNR ('A' weighted @ 48kHz) DAC
 - -97dB THD
- DAC Sampling Frequency: 8kHz - 192kHz
- 2 or 3-Wire Serial Control Interface or Hardware Control
- Programmable Audio Data Interface Modes
 - I²S, Left, Right Justified, DSP
 - 16/20/24/32 bit Word Lengths
- Independent Digital Volume Control on Each Channel with 127.5dB Range in 0.5dB Steps
- 3.0V - 5.5V Supply Operation
- 20-pin SSOP Package
- Exceeds Dolby Class A Performance Requirements

APPLICATIONS

- DVD-Audio and DVD 'Universal' Players
- Home theatre systems
- Digital TV
- Digital broadcast receivers

BLOCK DIAGRAM

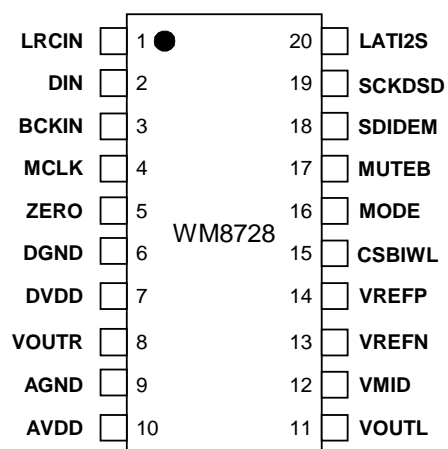


WOLFSON MICROELECTRONICS LTD
 Luton Court, Bernard Terrace, Edinburgh, EH8 9NX, UK
 Tel: +44 (0) 131 667 9386
 Fax: +44 (0) 131 667 5176
 Email: sales@wolfson.co.uk
 www.wolfsonmicro.com

Product Preview data sheets contain specifications for products in the formative phase of development. These products may be changed or discontinued without notice.

©2001 Wolfson Microelectronics Ltd.

PIN CONFIGURATION



ORDERING INFORMATION

DEVICE	TEMP. RANGE	PACKAGE
XWM8728EDS	-25 to +85°C	20-pin SSOP

PIN DESCRIPTION

PIN	NAME	TYPE	DESCRIPTION
1	LRCIN	Digital Input	DAC Sample Rate Clock Input: PCM Input Mode Right Channel DSD Bitstream Input: DSD Input Mode
2	DIN	Digital Input	Serial Audio Data Input: PCM Input Mode Left Channel DSD Bitstream Input: DSD Input Mode
3	BCKIN	Digital Input	Audio Data Bit Clock Input
4	MCLK	Digital Input	Master Clock Input
5	ZERO	Digital Output (Open drain)	Infinite ZERO Detect Flag
6	DGND	Supply	Digital Ground Supply
7	DVDD	Supply	Digital Positive Supply
8	VOATR	Analogue Output	Right Channel DAC Output
9	AGND	Supply	Analogue Ground Supply
10	AVDD	Supply	Analogue Positive Supply
11	VOATL	Analogue Output	Left Channel DAC Output
12	VMID	Analogue Output	Mid Rail Decoupling Point
13	VREFN	Supply	DAC Negative Reference – normally AGND, must not be below AGND
14	VREFP	Supply	DAC Positive Reference – normally AVDD, must not be above AVDD
15	CSBIWL	Digital Input (pull-up)	Software Mode: 3-Wire Serial Control Chip Select Hardware Mode: Input Word Length
16	MODE	Digital Input (pull-down)	Control Mode Selection (L = Hardware, H = Software)
17	MUTE B	Digital Bi-directional	Mute Control (L = Mute on, H = Mute off, Z = Automute Enabled)
18	SDIDEM	Digital Bi-directional	Software Mode: 3 or 2-Wire Serial Control Data Input: Hardware Mode: De-Emphasis Select
19	SCKDSD	Digital Input (pull-down)	Software Mode: 3 or 2-Wire Serial Control Clock Input Hardware Mode: DSD Bitstream Operation Select
20	LATI2S	Digital Input (pull-up)	Software Mode 3-Wire Serial Control Load Input Hardware Mode: Input Data Format Selection

Note:

Digital input pins have Schmitt trigger input buffers.

ABSOLUTE MAXIMUM RATINGS

Absolute Maximum Ratings are stress ratings only. Permanent damage to the device may be caused by continuously operating at or beyond these limits. Device functional operating limits and guaranteed performance specifications are given under Electrical Characteristics at the test conditions specified.



ESD Sensitive Device. This device is manufactured on a CMOS process. It is therefore generically susceptible to damage from excessive static voltages. Proper ESD precautions must be taken during handling and storage of this device.

CONDITION	MIN	MAX
Digital supply voltage	-0.3V	+7V
Analogue supply voltage	-0.3V	+7V
Voltage range digital inputs	DGND -0.3V	DVDD +0.3V
Voltage range analogue inputs	AGND -0.3V	AVDD +0.3V
Master Clock Frequency		50MHz
Operating temperature range, T _A	-25°C	+85°C
Storage temperature	-65°C	+150°C
Package body temperature (soldering 10 seconds)		+240°C
Package body temperature (soldering 2 minutes)		+183°C

Note:

Analogue and digital grounds must always be within 0.3V of each other.

DC ELECTRICAL CHARACTERISTICS

PARAMETER	SYMBOL	TEST CONDITIONS	MIN	TYP	MAX	UNIT
Digital supply range	DVDD		3.0		5.5	V
Analogue supply range	AVDD		3.0		5.5	V
Ground	AGND, DGND			0		V
Difference DGND to AGND			-0.3	0	+0.3	V
Analogue supply current		AVDD = 5V		19		mA
Digital supply current		DVDD = 5V		8		mA
Analogue supply current		AVDD = 3.3V		18		mA
Digital supply current		DVDD = 3.3V		4		mA

ELECTRICAL CHARACTERISTICS

Test Conditions

AVDD, DVDD = 5V, AGND = 0V, DGND = 0V, T_A = +25°C, fs = 48kHz, MCLK = 256fs unless otherwise stated.

PARAMETER	SYMBOL	TEST CONDITIONS	MIN	TYP	MAX	UNIT
Digital Logic Levels (TTL Levels)						
Input LOW level	V _{IL}				0.8	V
Input HIGH level	V _{IH}		2.0			V
Output LOW	V _{OL}	I _{OL} = 1mA			AGND + 0.3V	V
Output HIGH	V _{OH}	I _{OH} = 1mA	AVDD - 0.3V			V
Analogue Reference Levels						
Reference voltage		VMID	(VREFP - VREFN)/2 - 50mV	(VREFP - VREFN)/2	(VREFP - VREFN)/2 + 50mV	V
Potential divider resistance	R _{VMID}			12k		ohms
DAC Output (Load = 10k ohms. 50pF)						
0dBfs Full scale output voltage		At DAC outputs		1.1 x AVDD/5		V _{rms}
SNR (Note 1,2,3)		A-weighted, @ fs = 48kHz	100	106		dB
SNR (Note 1,2,3)		A-weighted @ fs = 96kHz		106		dB
SNR (Note 1,2,3)		A-weighted @ fs = 192kHz		106		dB
SNR (Note 1,2,3)		A-weighted, @ fs = 48kHz AVDD, DVDD = 3.3V		105		dB
SNR (Note 1,2,3)		A-weighted @ fs = 96kHz AVDD, DVDD = 3.3V		103		dB
SNR (Note 1,2,3)		Non 'A' weighted @ fs = 48kHz		106		dB
THD (Note 1,2,3)		1kHz, 0dBfs		-97		dB
THD+N (Dynamic range, Note 2)		1kHz, -60dBfs	100	106		dB
DAC channel separation				100		dB
Analogue Output Levels						
Output level		Load = 10k Ohms, 0dBFS		1.1		V _{RMS}
		Load = 10k Ohms, 0dBFS, (AVDD = 3.3V)		0.726		V _{RMS}
Gain mismatch channel-to-channel				±1		%FSR

Test Conditions

AVDD, DVDD = 5V, AGND = 0V, DGND = 0V, T_A = +25°C, fs = 48kHz, MCLK = 256fs unless otherwise stated.

PARAMETER	SYMBOL	TEST CONDITIONS	MIN	TYP	MAX	UNIT
Minimum resistance load		To midrail or a.c. coupled		1		kohms
		To midrail or a.c. coupled (AVDD = 3.3V)		600		ohms
Maximum capacitance load		5V or 3.3V		100		pF
Output d.c. level				(VREFP - VREFN)/2		V
Power On Reset (POR)						
POR threshold				2.4		V

Notes:

- Ratio of output level with 1kHz full scale input, to the output level with all ZEROS into the digital input, over a 20Hz to 20kHz bandwidth.
- All performance measurements done with 20kHz low pass filter, and where noted an A-weight filter. Failure to use such a filter will result in higher THD+N and lower SNR and Dynamic Range readings than are found in the Electrical Characteristics. The low pass filter removes out of band noise; although it is not audible it may affect dynamic specification values.
- VMID decoupled with 10uF and 0.1uF capacitors (smaller values may result in reduced performance).

TERMINOLOGY

- Signal-to-noise ratio (dB) - SNR is a measure of the difference in level between the full-scale output and the output with a ZERO signal applied. (No Auto-ZERO or Automute function is employed in achieving these results).
- Dynamic range (dB) - DNR is a measure of the difference between the highest and lowest portions of a signal. Normally a THD+N measurement at 60dB below full scale. The measured signal is then corrected by adding the 60dB to it. (e.g. THD+N @ -60dB= -32dB, DR= 92dB).
- THD+N (dB) - THD+N is a ratio, of the rms values, of (Noise + Distortion)/Signal.
- Stop band attenuation (dB) - Is the degree to which the frequency spectrum is attenuated (outside audio band).
- Channel Separation (dB) - Also known as Cross Talk. This is a measure of the amount one channel is isolated from the other. Normally measured by sending a full-scale signal down one channel and measuring the other.

MASTER CLOCK TIMING

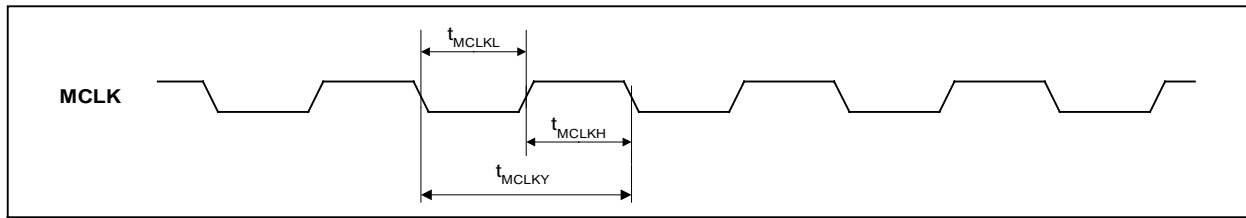


Figure 1 Master Clock Timing Requirements

Test Conditions

AVDD, DVDD = 5V, AGND = 0V, DGND = 0V, $T_A = +25^\circ\text{C}$, $f_s = 48\text{kHz}$, MCLK = 256fs unless otherwise stated.

PARAMETER	SYMBOL	TEST CONDITIONS	MIN	TYP	MAX	UNIT
Master Clock Timing Information						
MCLK Master clock pulse width high	t_{MCLKH}		13			ns
MCLK Master clock pulse width low	t_{MCLKL}		13			ns
MCLK Master clock cycle time	t_{MCLKY}		26			ns
MCLK Duty cycle			40:60		60:40	

DIGITAL AUDIO INTERFACE

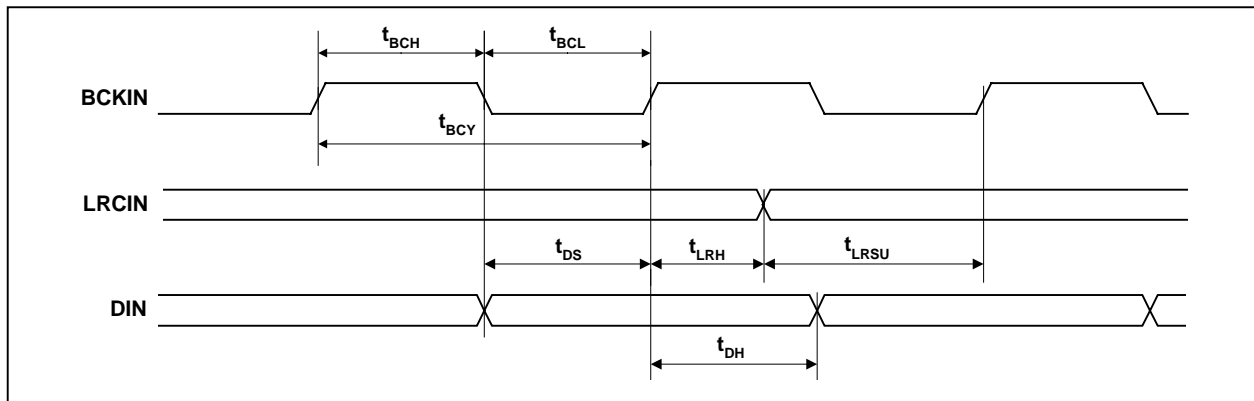


Figure 2 Digital Audio Data Timing

Test Conditions

AVDD, DVDD = 5V, AGND = 0V, DGND = 0V, $T_A = +25^\circ\text{C}$, $f_s = 48\text{kHz}$, MCLK = 256fs unless otherwise stated.

PARAMETER	SYMBOL	TEST CONDITIONS	MIN	TYP	MAX	UNIT
Audio Data Input Timing Information						
BCKIN cycle time	t_{BCY}		40			ns
BCKIN pulse width high	t_{BCH}		16			ns
BCKIN pulse width low	t_{BCL}		16			ns
LRCIN set-up time to BCKIN rising edge	t_{LRSU}		8			ns
LRCIN hold time from BCKIN rising edge	t_{LRH}		8			ns
DIN set-up time to BCKIN rising edge	t_{DS}		8			ns
DIN hold time from BCKIN rising edge	t_{DH}		8			ns

DSD AUDIO MONOPHASE INTERFACE

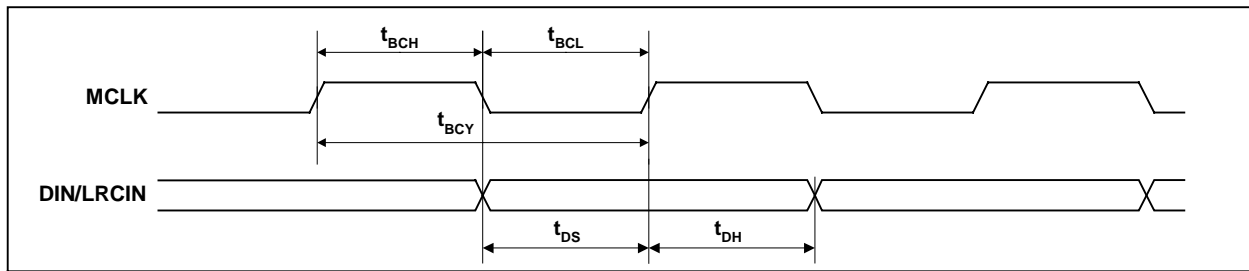


Figure 3 Normal DSD timing requirements

Test Conditions

AVDD, DVDD = 5V, AGND = 0V, DGND = 0V, $T_A = +25^\circ\text{C}$, $f_s = 48\text{kHz}$, MCLK = 256fs unless otherwise stated.

PARAMETER	SYMBOL	TEST CONDITIONS	MIN	TYP	MAX	UNIT
Audio Data Input Timing Information						
MCLK cycle time	t_{BCY}			344		ns
MCLK pulse width high	t_{BCH}		160			ns
MCLK pulse width low	t_{BCL}		160			ns
DIN/LRCIN set-up time to MCLK rising edge	t_{DS}		10			ns
DIN/LRCIN hold time from MCLK rising edge	t_{DH}		10			ns

DSD AUDIO BIPHASE INTERFACE

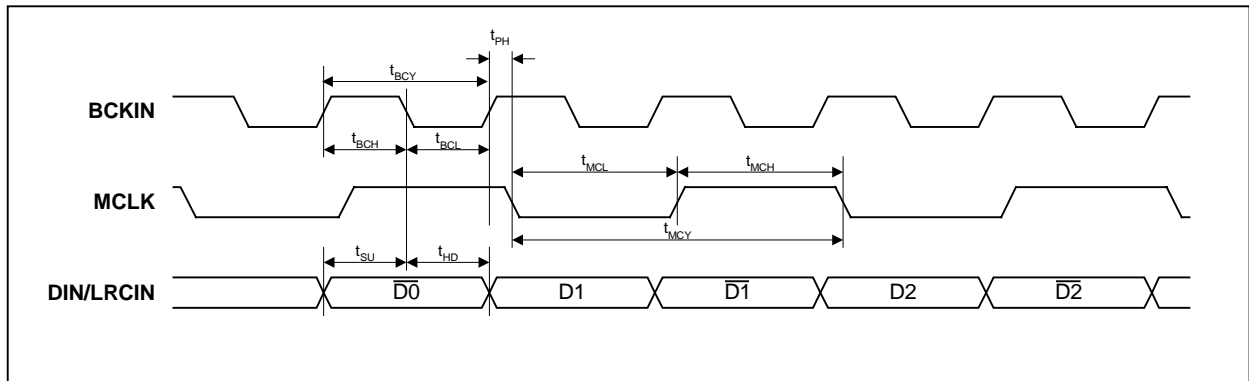


Figure 4 Biphase DSD Timing Requirements

Test Conditions

AVDD, DVDD = 5V, AGND = 0V, DGND = 0V, T_A = +25°C, fs = 48kHz, MCLK = 256fs unless otherwise stated.

PARAMETER	SYMBOL	TEST CONDITIONS	MIN	TYP	MAX	UNIT
Audio Data Input Timing Information						
BCKIN cycle time	t _{BCY}			162.8		ns
BCKIN pulse width high	t _{BCH}		80	81.4		ns
BCKIN pulse width low	t _{BCL}		80	81.4		ns
MCLK cycle time	t _{MCY}			325.5		ns
MCLK pulse width high	t _{MCH}		160	162.8		ns
MCLK pulse width low	t _{MCL}		160	162.8		ns
Phase shift between BCKIN and MCLK	t _{PH}				20	ns
Data setup time to BCKIN falling edge	t _{SU}		10			ns
Data hold time to BCKIN rising edge	t _{HD}		10			ns

MPU 3-WIRE INTERFACE TIMING

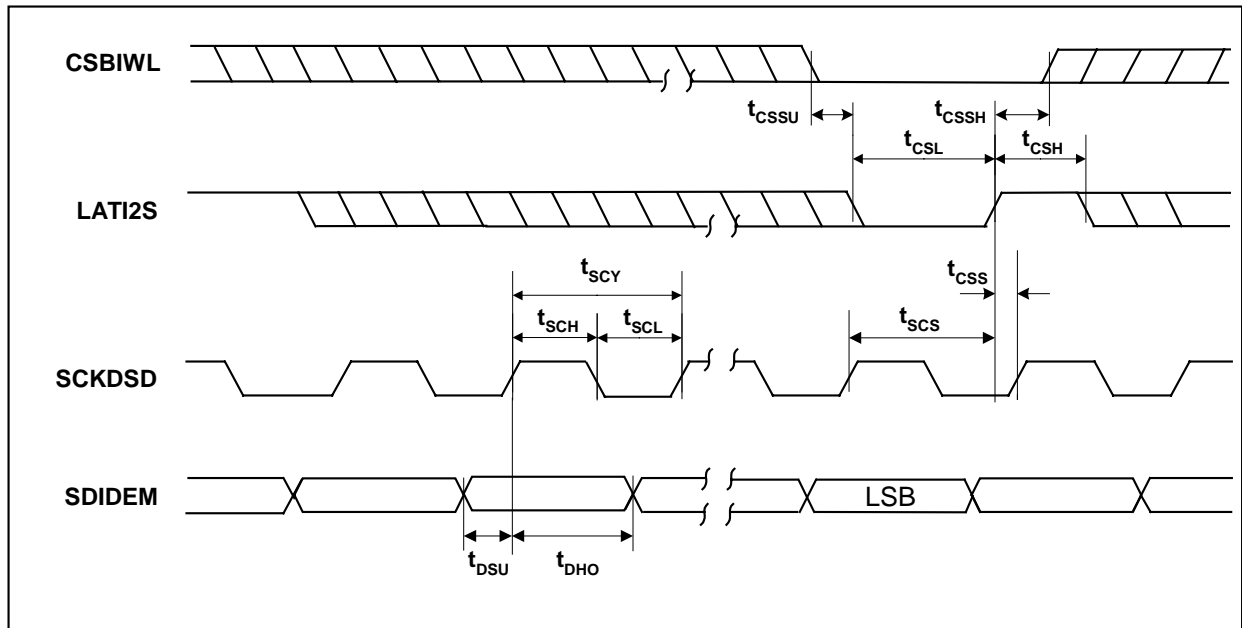


Figure 5 Program Register Input Timing - 3-Wire Serial Control Mode

Test Conditions

AVDD, DVDD = 5V, AGND = 0V, DGND = 0V, T_A = +25°C, fs = 48kHz, MCLK = 256fs unless otherwise stated.

PARAMETER	SYMBOL	TEST CONDITIONS	MIN	TYP	MAX	UNIT
Program Register Input Information						
SCKDSD rising edge to LATI2S rising edge	t _{SCS}		40			ns
SCKDSD pulse cycle time	t _{SCY}		80			ns
SCKDSD pulse width low	t _{SCL}		20			ns
SCKDSD pulse width high	t _{SCH}		20			ns
SDIDEM to SCKDSD set-up time	t _{DSU}		20			ns
SCKDSD to SDIDEM hold time	t _{DHO}		20			ns
LATI2S pulse width low	t _{CSL}		20			ns
LATI2S pulse width high	t _{CSH}		20			ns
LATI2S rising to SCKDSD rising	t _{CSS}		20			ns
CSBIWL to LATI2S set-up time	t _{CSSU}		20			ns
LATI2S to CSBIWL hold time	t _{CSSH}		20			ns

MPU 2-WIRE INTERFACE TIMING

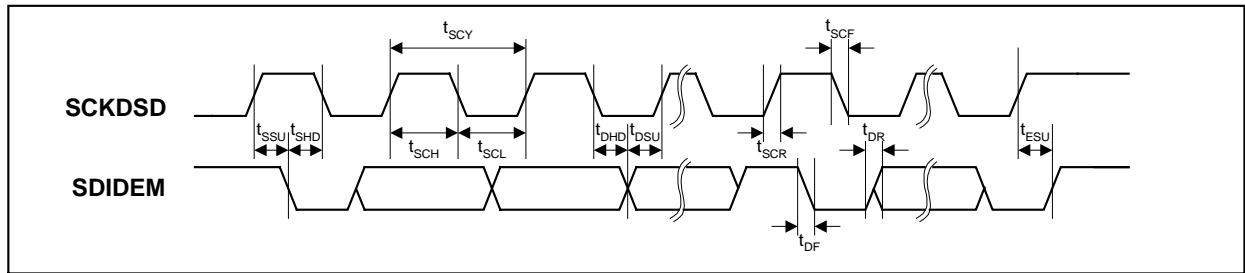


Figure 6 Program Register Input Timing - 2-Wire Serial Control Mode

Test Conditions

AVDD, DVDD = 5V, AGND = 0V, DGND = 0V, T_A = +25°C, f_s = 48kHz, MCLK = 256fs unless otherwise stated.

PARAMETER	SYMBOL	TEST CONDITIONS	MIN	TYP	MAX	UNIT
Program Register Input Information						
SCKDSD pulse cycle time	t _{SCY}		80			ns
SCKDSD pulse width low	t _{SCL}		20			ns
SCKDSD pulse width high	t _{SCH}		20			ns
SDIDEM to SCKDSD data set-up time for start signal	t _{SSU}		10			ns
SDIDEM from SCKDSD data hold time for start signal	t _{SHD}		10			ns
SDIDEM to SCKDSD data set-up time	t _{DSU}		20			ns
SCKDSD to SDIDEM data hold time	t _{DHD}		20			ns
SCKDSD rise time	t _{SCR}		5			ns
SCKDSD fall time	t _{SCF}		5			ns
SDIDEM rise time	t _{DR}		5			ns
SDIDEM fall time	t _{DF}		5			ns
SDIDEM to SCKDSD data set-up time for stop signal	t _{ESU}		10			ns

Notes:

1. The address for the device in the 2-wire mode is 001101X (binary) with the last bit selectable.
2. In the two-wire interface mode, the CSBIWL pin indicates the final bit of the chip address.
3. In 2-wire mode the LATI2S pin should be tied to either DGND or DVSS to avoid noise toggling the interface into 3-wire mode.

DEVICE DESCRIPTION

INTRODUCTION

The WM8728 is a high performance DAC designed for digital consumer audio applications. Its range of features makes it ideally suited for use in DVD players, AV receivers and other high-end consumer audio equipment.

WM8728 is a complete 2-channel stereo audio digital-to-analogue converter, including digital interpolation filter, multi-bit sigma delta with dither, switched capacitor multi-bit stereo DAC and output smoothing filters. The WM8728 includes an on-chip digital volume control, configurable digital audio interface and a 2 or 3 wire MPU control interface. It is fully compatible and an ideal partner for a range of industry standard microprocessors, controllers and DSPs.

Control of internal functionality of the device is by either hardware control (pin programmed) or software control (2 or 3-wire serial control interface). The MODE pin selects between hardware and software control. The software control interface may be asynchronous to the audio data interface. In which case control data will be re-synchronised to the audio processing internally.

Operation using a master clock of 256fs, 384fs, 512fs or 768fs is provided, selection between clock rates being automatically controlled in hardware mode, or serial controlled when in software mode. Sample rates (fs) from less than 8ks/s to 96ks/s are allowed, provided the appropriate master clock is input. Support is also provided for up to 192ks/s using a master clock of 128fs or 192fs.

The audio data interface supports right justified, left justified and I²S (Philips left justified, one bit delayed) interface formats along with a highly flexible DSP serial port interface. When in hardware mode, the three serial interface pins become control pins to allow selection of, input data format type (I²S or right justified), input word length (20 or 24 bit) and de-emphasis functions.

In DSD mode, a separate bitstream data input pin is required for each of the channels, plus a 64fs dataclock MCLK. These signals are applied via pins DIN and LRCIN and the signals routed internally into the DAC circuits, under control of the SCKDSD mode select pin (19) See Figure 3.

Additionally a Phase Modulation scheme is supported, whereby the audio data is transmitted as a Manchester encoded bitstream. This has the advantage of removing the significant spectral audio energy from the datastream, minimising digital signal corruption of the analogue outputs. In order to simplify decoding of this Phase modulated data, a 2x speed clock (BCKIN) is used to sample the incoming data. See Figure 4.

The device is packaged in a small 20-pin SSOP.

CLOCKING SCHEMES

In a typical digital audio system there is only one central clock source producing a reference clock to which all audio data processing is synchronised. This clock is often referred to as the audio system's Master Clock. The external master system clock can be applied directly through the MCLK input pin with no software configuration necessary for sample rate selection.

Note that on the WM8728, MCLK is used to derive clocks for the DAC path. The DAC path consists of DAC sampling clock, DAC digital filter clock and DAC digital audio interface timing. In a system where there are a number of possible sources for the reference clock it is recommended that the clock source with the lowest jitter be used to optimise the performance of the DAC.

WM8728 always acts as a slave and requires clocks to be inputs.

DIGITAL AUDIO INTERFACE

Audio data is applied to the internal DAC filters via the Digital Audio Interface. Five popular interface formats are supported:

- Left Justified mode
- Right Justified mode
- I²S mode
- DSP Early mode
- DSP Late mode

All five formats send the MSB first and support word lengths of 16, 20, 24 and 32 bits with the exception that 32 bit data is not supported in right justified mode. DIN and LRCIN may be configured to be sampled on the rising or falling edge of BCKIN.

In left justified, right justified and I²S modes, the digital audio interface receives data on the DIN input. Audio Data is time multiplexed with LRCIN indicating whether the left or right channel is present. LRCIN is also used as a timing reference to indicate the beginning or end of the data words. The minimum number of BCKINs per LRCIN period is 2 times the selected word length. LRCIN must be high for a minimum of word length BCKINs and low for a minimum of word length BCKINs. Any mark to space ratio on LRCIN is acceptable provided the above requirements are met

The WM8728 will automatically detect when data with a LRCIN period of exactly 32 BCKINs is sent, and select 16-bit mode - overriding any previously programmed word length. Word length will revert to a programmed value only if a LRCIN period other than 32 BCKINs is detected.

In DSP early or DSP late mode, the data is time multiplexed onto DIN. LRCIN is used as a frame sync signal to identify the MSB of the first word. The minimum number of BCKINs per LRCIN period is 2 times the selected word length. Any mark to space ratio is acceptable on LRCIN provided the rising edge is correctly positioned. (See Figure 10 and Figure 11)

LEFT JUSTIFIED MODE

In left justified mode, the MSB is sampled on the first rising edge of BCKIN following a LRCIN transition. LRCIN is high during the left data word and low during the right data word.

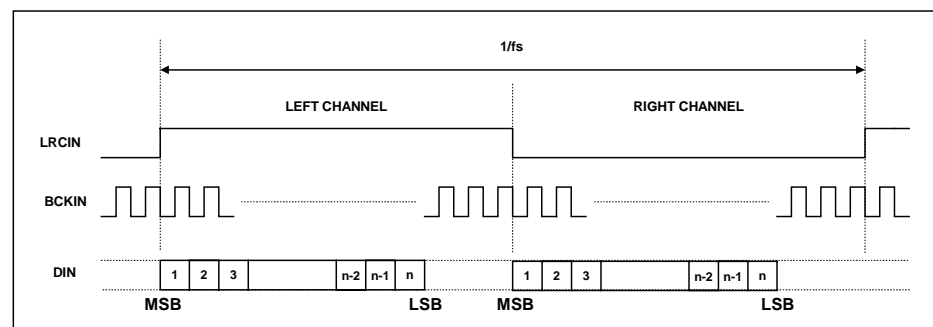


Figure 7 Left Justified Mode Timing Diagram

RIGHT JUSTIFIED MODE

In right justified mode, the LSB is sampled on the rising edge of BCKIN preceding a LRCIN transition. LRCIN is high during the left data word and low during the right data word.

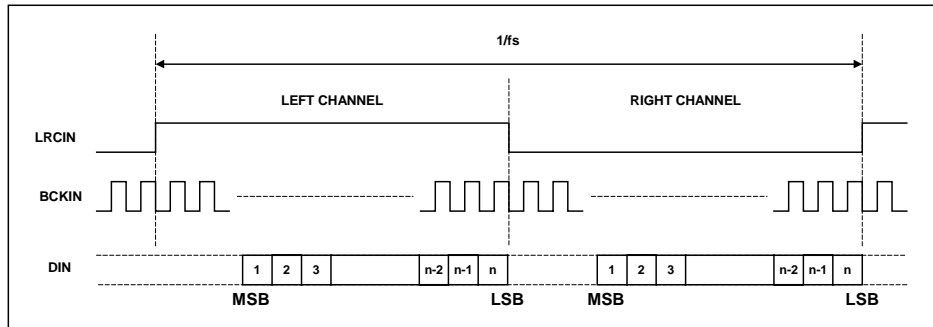


Figure 8 Right Justified Mode Timing Diagram

I²S MODE

In I²S mode, the MSB is sampled on the second rising edge of BCKIN following a LRCIN transition. LRCIN is low during the left data word and high during the right data word.

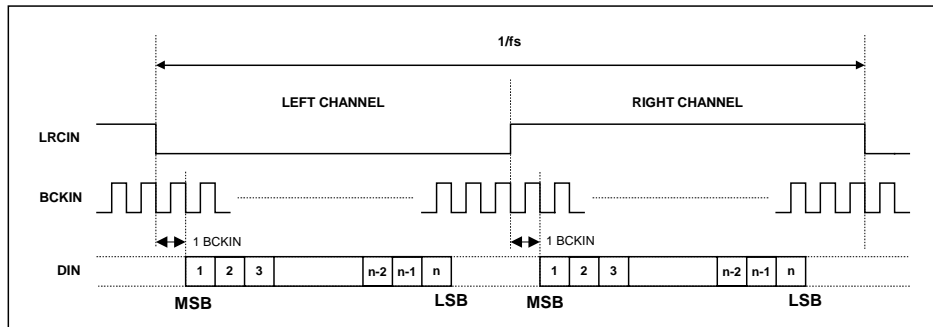


Figure 9 I²S Mode Timing Diagram

DSP EARLY MODE

In DSP early mode, the first bit is sampled on the BCKIN rising edge following the one that detects a low to high transition on LRCIN. No BCKIN edges are allowed between the data words. The word order is DIN left, DIN right.

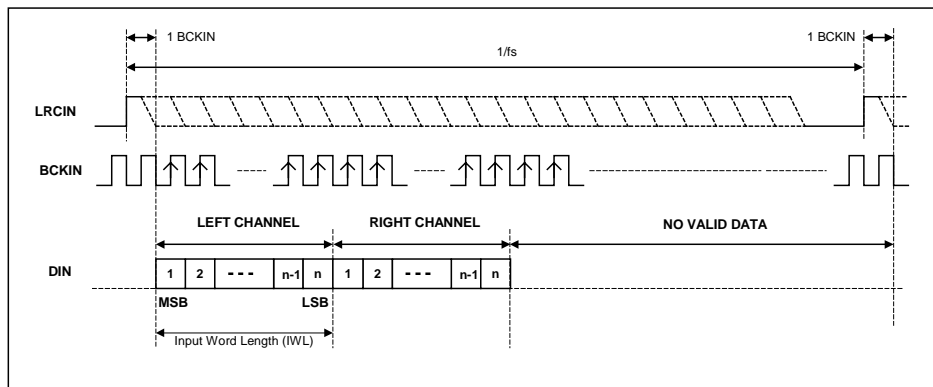


Figure 10 DSP Early Mode Timing Diagram

DSP LATE MODE

In DSP late mode, the first bit is sampled on the BCKIN rising edge, which detects a low to high transition on LRCIN. No BCKIN edges are allowed between the data words. The word order is DIN left, DIN right.

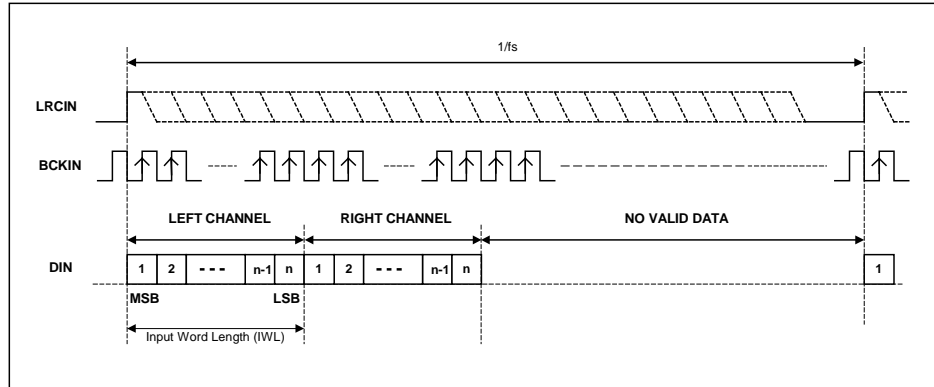


Figure 11 DSP Late Mode Timing Diagram

AUDIO DATA SAMPLING RATES

The master clock for WM8728 can range from 128fs to 768fs, where fs is the audio sampling frequency (LRCIN) typically 32kHz, 44.1kHz, 48kHz, 96kHz or 192kHz. The master clock is used to operate the digital filters and the noise shaping circuits.

The WM8728 has a master clock detection circuit that automatically determines the relationship between the master clock frequency and the sampling rate (to within +/- 32 system clocks). If there is a greater than 32 clocks error, the interface shuts down the DAC and mutes the output. The master clock should be synchronised with LRCIN, although the WM8728 is tolerant of phase differences or jitter on this clock. See Table 1

SAMPLING RATE (LRCIN)	MASTER CLOCK FREQUENCY (MHZ) (MCLK)					
	128fs	192fs	256fs	384fs	512fs	768fs
32kHz	4.096	6.144	8.192	12.288	16.384	24.576
44.1kHz	5.6448	8.467	11.2896	16.9340	22.5792	33.8688
48kHz	6.114	9.216	12.288	18.432	24.576	36.864
96kHz	12.288	18.432	24.576	36.864	Unavailable	Unavailable
192kHz	24.576	36.864	Unavailable	Unavailable	Unavailable	Unavailable

Table 1 Typical Relationships Between Master Clock Frequency and Sampling Rate

HARDWARE DSD MODE

DSD mode is selected by taking the SCKDSD pin high whilst the MODE pin is low. In this mode the internal digital filters are bypassed, and the already modulated bitstream data is applied directly to the Switched Capacitor DAC filter where it is converted and lowpass filtered, see Figure 26 to Figure 29.

Two formats are supported for data transfer, MONOPHASE or BIPHASE MODULATED.

In Monophase mode, DSD data is simply clocked into the device using the rising edge of the 64fs MCLK signal.

In Biphase mode, the data is supplied in Manchester encoded form (a bit transition occurs during every data bit, which shapes the spectral energy minimising corruption of the analogue outputs). A secondary clock BCKIN, at 128fs is used to simplify data recovery, the data simply being clocked with the falling edge of BCKIN when MCLK is at logic low (0V).

See Figure 3 and Figure 4 for details of DSD interface timing.

HARDWARE CONTROL MODES

When the MODE pin is held low, the following hardware modes of operation are available.

MUTE AND AUTOMUTE OPERATION

In both hardware and software modes, pin 17 (MUTE) controls the selection of MUTE directly, and can be used to enable and disable the automute function. This pin becomes an output when left floating and indicates infinite ZERO detect (IZD) see also pin 5 (ZERO).

MUTE PIN	DESCRIPTION
0	Mute DAC channels
1	Normal Operation
Floating	Enable IZD, MUTE becomes an output to indicate when IZD occurs. L=IZD detected, H=IZD not detected.

Table 2 Mute and Automute Control

Figure 12 shows the application and release of MUTE whilst a full amplitude sinusoid is being played at 48kHz sampling rate. When MUTE (lower trace) is asserted, the output (upper trace) begins to decay exponentially from the DC level of the last input sample. The output will decay towards V_{MID} with a time constant of approximately 64 input samples. When MUTE is de-asserted, the output will restart almost immediately from the current input sample.

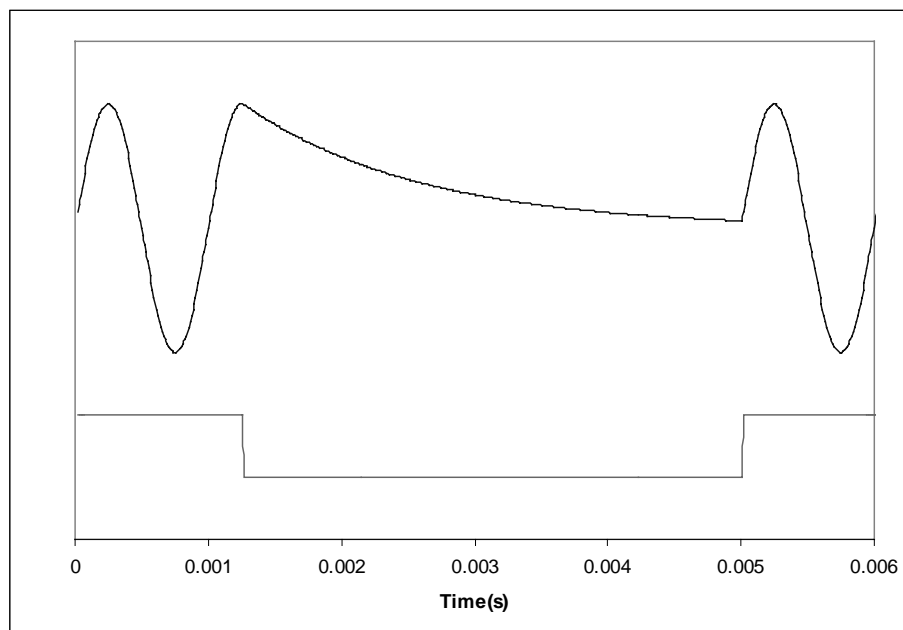


Figure 12 Application and Release of Soft Mute

The MUTE_B pin is an input to select mute or not mute. MUTE_B is active low; taking the pin low causes the filters to soft mute, ramping down the audio signal over a few milliseconds. Taking MUTE_B high again allows data into the filter.

The automute function detects a series of ZERO value audio samples of 1024 samples long being applied to both channels. After such an event, a latch is set whose output (AUTOMUTED) is wire OR'ed through a 10kohm resistor to the MUTE_B pin. Thus if the MUTE_B pin is not being driven, the automute function will assert mute.

If MUTE_B is tied high, AUTOMUTED is overridden and will not mute unless the IZD register bit is set. If MUTE_B is driven from a bi-directional source, then both MUTE and automute functions are available. If MUTE_B is not driven, AUTOMUTED appears as a weak output (10kOhm-source impedance) so can be used to drive external mute circuits. AUTOMUTED will be removed as soon as any channel receives a non-ZERO input.

A diagram showing how the various Mute modes interact is shown below Figure 13.

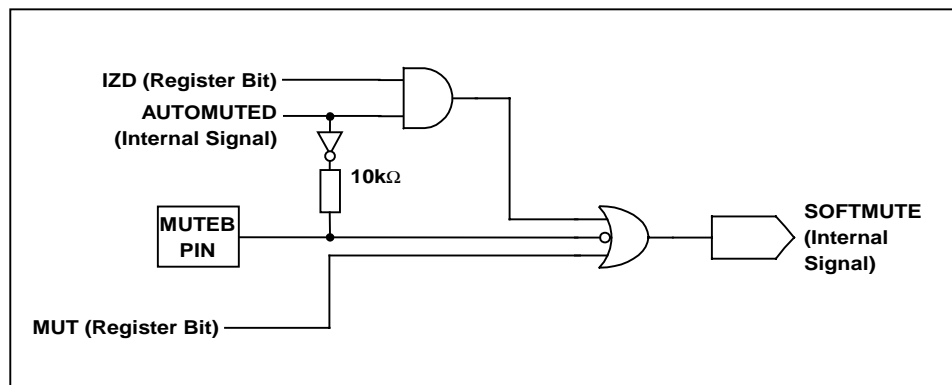


Figure 13 Selection Logic for MUTE Modes

INPUT FORMAT SELECTION

In hardware mode, LATI2S (pin 20) and CSBIWL (pin 15) become input controls for selection of input data format type and input data word length.

LATI2S	CSBIWL	INPUT DATA MODE
0	0	24-bit right justified
0	1	20-bit right justified
1	0	16-bit I ² S
1	1	24-bit I ² S

Table 3 Input Format Selection

Note:

In 24 bit I²S mode, any width of 24 bits or less is supported provided that LRCIN is high for a minimum of 24 BCKINs and low for a minimum of 24 BCKINs. If exactly 32 BCKINs occur in one LRCIN (16 high, 16 low) the chip will auto detect and run a 16 bit data mode.

DE-EMPHASIS CONTROL

In hardware mode, SDIDEM (pin 18) becomes an input control for selection of de-emphasis filtering to be applied.

SDIDEM	DE-EMPHASIS
0	Off
1	On

Table 4 De-emphasis Control

SOFTWARE CONTROL INTERFACE

The software control interface may be operated using a 2-wire interface compatible or 3-wire (SPI-compatible) interface.

SELECTION OF CONTROL MODE

The WM8728 may be programmed to operate in hardware or software control modes. This is achieved by setting the state of the MODE pin.

MODE	INTERFACE FORMAT
0	Hardware Control Mode
1	Software Control Mode

Table 5 Control Interface Mode Selection

3-WIRE (SPI COMPATIBLE) SERIAL CONTROL MODE

In this mode, SDIDEM is used for the program data, SCKDSD is used to clock in the program data and LATI2S is used to latch in the program data. The 3-wire interface protocol is shown in Figure 14.

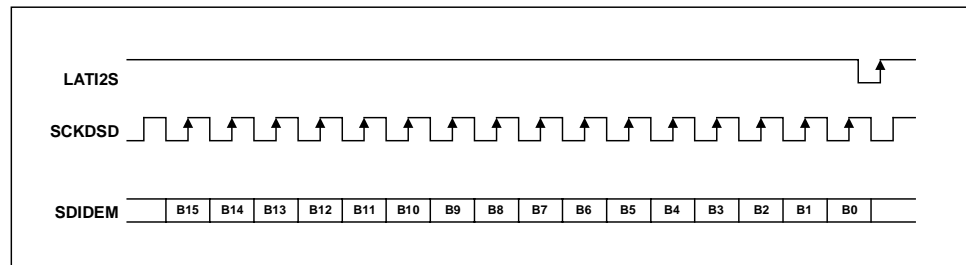


Figure 14 3-Wire Serial Interface

Notes:

1. B[15:9] are Control Address Bits
2. B[8:0] are Control Data Bits
3. CSBIWL needs to be low during writes – see Figure 5

2-WIRE SERIAL CONTROL MODE

In 2-wire mode, which is the default, SDIDEM is used for the program data and SCKDSD is used to clock in the program data see Figure 15.

WM8728 has an address of 001101X (binary) which represents an audio device. The final address digit is dependent on pin CSBIWL, which should be tied to either DVDD or DGND. This allows the device to have a choice of two identification header addresses used in the 2 wire interface word. This feature allows more than one WM8728 device to be present on the interface bus.

LATI2S should be tied to either DVDD or DGND, as it is unused. This pin if toggled from low to high and high to low, will cause the device to enter the 3-wire interface mode and cannot be placed back into 2-wire mode except by toggling the MODE pin, or powering off the device.

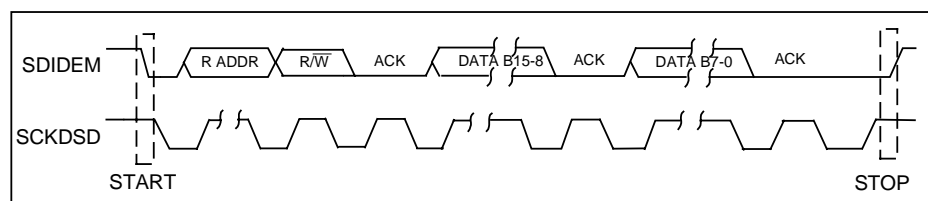


Figure 15 2-Wire Serial Interface

REGISTER MAP

WM8728 uses a total of 4 program registers, which are 16-bits long. These registers are all loaded through input pin SDIDEM. Using either 2-wire or 3-wire serial control mode as shown in Figure 14 and Figure 15.

	B15	B14	B13	B12	B11	B10	B9	B8	B7	B6	B5	B4	B3	B2	B1	B0
M0	0	0	0	0	0	0	0	UPDATEL	LAT7	LAT6	LAT5	LAT4	LAT3	LAT2	LAT1	LAT0
M1	0	0	0	0	0	0	1	UPDATER	RAT7	RAT6	RAT5	RAT4	RAT3	RAT2	RAT1	RAT0
M2	0	0	0	0	0	1	0	0	0	0	IW2	IW1	IW0	PWDN	EEMPH	MUT
M3	0	0	0	0	0	1	1	IZD	0	0	BCP	REV	0	ATC	LRP	I ² S
	ADDRESS							DATA								

Table 6 Mapping of Program Registers

REGISTER ADDRESS (A3,A2,A1,A0)	BITS	NAME	DEFAULT	DESCRIPTION
0000 DACL Attenuation	[7:0]	LAT[7:0]	11111111 (0dB)	Attenuation data for left channel in 0.5dB steps, see Table 9
	8	UPDATEL	0	Attenuation data load control for left channel. 0: Store DACL in intermediate latch (no change to output) 1: Store DACL and update attenuation on both channels.
0001 DACR Attenuation	[7:0]	RAT[7:0]	11111111 (0dB)	Attenuation data for right channel in 0.5dB steps, see Table 9
	8	UPDATER	0	Attenuation data load control for right channel. 0: Store DACR in intermediate latch (no change to output) 1: Store DACR and update attenuation on both channels.
0010 DAC Control	0	MUT	0	Left and right DACs soft mute control. 0: No mute 1: Mute
	1	DEEMPH	0	De-emphasis control. 0: De-emphasis off 1: De-emphasis on
	2	PWDN	0	Left and Right DACs Power-down Control 0: All DACs running, output is active 1: All DACs in power saving mode, output muted
	[5:3]	IW[2:0]	0	Audio data format select, see Table 14
0011 Interface Control	0	I ² S	0	Audio data format select, see Table 14
	1	LRP	0	Polarity select for LRCIN/DSP mode select. 0: normal LRCIN polarity/DSP late mode 1: inverted LRCIN polarity/DSP early mode
	2	ATC	0	Attenuator Control. 0: All DACs use attenuation as programmed. 1: Right channel DACs use corresponding left DAC attenuation
	4	REV	0	Output phase reverse.
	5	BCP	0	BCKIN Polarity 0 : normal BCKIN polarity 1: inverted BCKIN polarity
	8	IZD	0	Infinite ZERO detection circuit control and automute control 0: Infinite ZERO detect disabled 1: Infinite ZERO detect enabled

Table 7 Register Bit Descriptions

ATTENUATION CONTROL

Each DAC channel can be attenuated digitally before being applied to the digital filter. Attenuation is 0dB by default but can be set between 0 and 127.5dB in 0.5dB steps using the 8 Attenuation control bits. All attenuation registers are double latched allowing new values to be pre-latched to both channels before being updated synchronously. Setting the UPDATE bit on any attenuation write will cause all pre-latched values to be **immediately** applied to the DAC channels.

REGISTER ADDRESS	BITS	LABEL	DEFAULT	DESCRIPTION
0000 Attenuation DACL	[7:0]	LAT[7:0]	11111111 (0dB)	Attenuation data for Left channel DACL in 0.5dB steps.
	8	UPDATEL	0	Controls simultaneous update of all Attenuation Latches 0: Store DACL in intermediate latch (no change to output) 1: Store DACL and update attenuation on all channels.
0001 Attenuation DACR	[7:0]	RAT[7:0]	11111111 (0dB)	Attenuation data for Right channel DACR in 0.5dB steps.
	8	UPDATER	0	Controls simultaneous update of all Attenuation Latches 0: Store DACR in intermediate latch (no change to output) 1: Store DACR and update attenuation on all channels.

Table 8 Attenuation Register Map

Note:

- The UPDATE bit is not latched. If UPDATE=0, the Attenuation value will be written to the pre-latch but not applied to the relevant DAC. If UPDATE=1, all pre-latched values and the current value being written will be applied on the next input sample.
- Care should be used in reducing the attenuation as rapid large volume changes can introduce zipper noise.

DAC OUTPUT ATTENUATION

Registers LAT and RAT control the left and right channel attenuation. Table 9 shows how the attenuation levels are selected from the 8-bit words.

XAT[7:0]	ATTENUATION LEVEL
00(hex)	∞dB (mute)
01(hex)	127.5dB
:	:
:	:
:	:
FE(hex)	0.5dB
FF(hex)	0dB

Table 9 Attenuation Control Levels

MUTE MODES

Setting the MUT register bit will apply a 'soft' mute to the input of the digital filters:

REGISTER ADDRESS	BIT	LABEL	DEFAULT	DESCRIPTION
0010 DAC Control	0	MUT	0	Soft Mute select 0 : Normal Operation 1: Soft mute all channels

Table 10 Mute control

DE-EMPHASIS MODE

Setting the DEEMPH register bit puts the digital filters into de-emphasis mode:

REGISTER ADDRESS	BIT	LABEL	DEFAULT	DESCRIPTION
0010 DAC Control	1	DEEMPH	0	De-emphasis mode select: 0 : De-emphasis Off 1: De-emphasis On

Table 11 De-emphasis Control

POWERDOWN MODE

Setting the PWDN register bit immediately connects all outputs to V_{MID} and selects a low power mode. All trace of the previous input samples is removed, and all control register settings are cleared. When PWDN is cleared again the first 16 input samples will be ignored, as the FIR will repeat it's power-on initialisation sequence.

REGISTER ADDRESS	BIT	LABEL	DEFAULT	DESCRIPTION
0010 DAC Control	2	PWDN	0	Power Down Mode Select: 0 : Normal Mode 1: Power Down Mode

Table 12 Powerdown control

DIGITAL AUDIO INTERFACE CONTROL REGISTERS

The WM8728 has a fully featured digital audio interface that is a superset of that contained in the WM8716. Interface format is selected via the IWL[2:0] register bits in register M2 and the I²S register bit in M3.

REGISTER ADDRESS	BIT	LABEL	DEFAULT	DESCRIPTION
0010 DAC Control	5:3	IWL[2:0]	000000	Interface format Select
0011 Interface Control	0	I ² S	0	Interface format Select

Table 13 Interface Format Controls

IW2	I ² S	IW1	IW0	AUDIO INTERFACE DESCRIPTION (NOTE 1)
0	0	0	0	16 bit right justified mode
0	0	0	1	20 bit right justified mode
0	0	1	0	24 bit right justified mode
0	0	1	1	24 bit left justified mode
0	1	0	0	16 bit I ² S mode
0	1	0	1	24 bit I ² S mode
0	1	1	0	20 bit I ² S mode
0	1	1	1	20 bit left justified mode
1	0	0	0	16 bit DSP mode
1	0	0	1	20 bit DSP mode
1	0	1	0	24 bit DSP mode
1	0	1	1	32 bit DSP mode
1	1	0	0	16 bit left justified mode

Table 14 Audio Data Input Format

Note:

In all modes, the data is signed 2's complement. The digital filters always input 24-bit data. If the DAC is programmed to receive 16 or 20 bit data, the WM8728 pads the unused LSBs with ZEROS. If the DAC is programmed into 32-bit mode, the 8 LSBs are treated as zero.

SELECTION OF LRCIN POLARITY

In left justified, right justified or I²S modes, the LRP register bit controls the polarity of LRCIN. If this bit is set high, the expected polarity of LRCIN will be the opposite of that shown in Figure 7, Figure 8 and Figure 9. Note that if this feature is used as a means of swapping the left and right channels, a 1 sample phase difference will be introduced.

REGISTER ADDRESS	BIT	LABEL	DEFAULT	DESCRIPTION
0011 Interface Control	1	LRP	0	LRCIN Polarity (normal) 0 : normal LRCIN polarity 1: inverted LRCIN polarity

Table 15 LRCIN Polarity Control

In DSP modes, the LRCIN register bit is used to select between early and late modes (see Figure 10 and Figure 11).

REGISTER ADDRESS	BIT	LABEL	DEFAULT	DESCRIPTION
0011 Interface Control	1	LRP	0	DSP Format (DSP modes) 0 : Late DSP mode 1: Early DSP mode

Table 16 DSP Format Control

In DSP early mode, the first bit is sampled on the BCKIN rising edge following the one that detects a low to high transition on LRCIN. In DSP late mode, the first bit is sampled on the BCKIN rising edge, which detects a low to high transition on LRCIN. No BCKIN edges are allowed between the data words. The word order is DIN left, DIN right.

ATTENUATOR CONTROL MODE

Setting the ATC register bit causes the left channel attenuation settings to be applied to both left and right channel DACs from the next audio input sample. No update to the attenuation registers is required for ATC to take effect.

REGISTER ADDRESS	BIT	LABEL	DEFAULT	DESCRIPTION
0011 Interface Control	2	ATC	0	Attenuator Control Mode: 0 : Right channels use Right attenuation 1: Right Channels use Left Attenuation

Table 17 Attenuation Control Select

OUTPUT PHASE REVERSAL

The REV register bit controls the phase of the output signal. Setting the REV bit causes the phase of the output signal to be inverted.

REGISTER ADDRESS	BIT	LABEL	DEFAULT	DESCRIPTION
0011 Interface Control	4	REV	0	Analogue Output Phase 0: Normal 1: Inverted

Table 18 Output Phase Control

BCKIN POLARITY

By default, LRCIN and DIN are sampled on the rising edge of BCKIN and should ideally change on the falling edge. Data sources which change LRCIN and DIN on the rising edge of BCKIN can be supported by setting the BCP register bit. Setting BCP to 1 inverts the polarity of BCKIN to the inverse of that shown in Figure 7, Figure 8, Figure 9, Figure 10 and Figure 11.

REGISTER ADDRESS	BIT	LABEL	DEFAULT	DESCRIPTION
0011 Interface Control	5	BCP	0	BCKIN Polarity 0 : normal BCKIN polarity 1: inverted BCKIN polarity

Table 19 BCKIN Polarity Control

INFINITE ZERO DETECTION

Setting the IZD register bit determines whether the device is automuted when a sequence of more than 1024 ZEROS is detected.

REGISTER ADDRESS	BIT	LABEL	DEFAULT	DESCRIPTION
0011 Interface Control	8	IZD	0	Infinite ZERO detection circuit control and automute control 0: Infinite ZERO detect disabled 1: Infinite ZERO detect enabled

Table 20 IZD Control

DIGITAL FILTER CHARACTERISTICS

PARAMETER	SYMBOL	TEST CONDITIONS	MIN	TYP	MAX	UNIT
Passband Edge		-3dB		0.487fs		
Passband Ripple		$f < 0.444fs$			± 0.05	dB
Stopband Attenuation		$f > 0.555fs$	-60			dB

Table 21 Digital Filter Characteristics

DAC FILTER RESPONSES

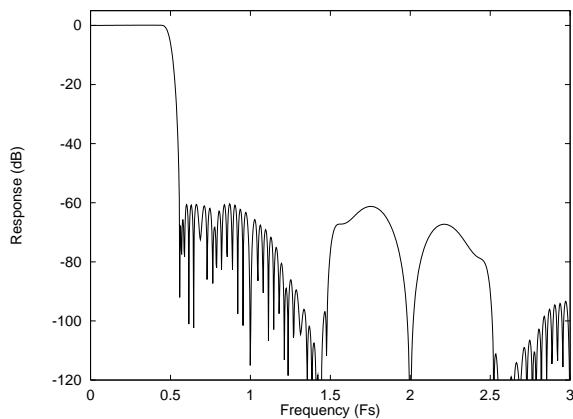


Figure 16 DAC Digital Filter Frequency Response
-44.1, 48 and 96kHz

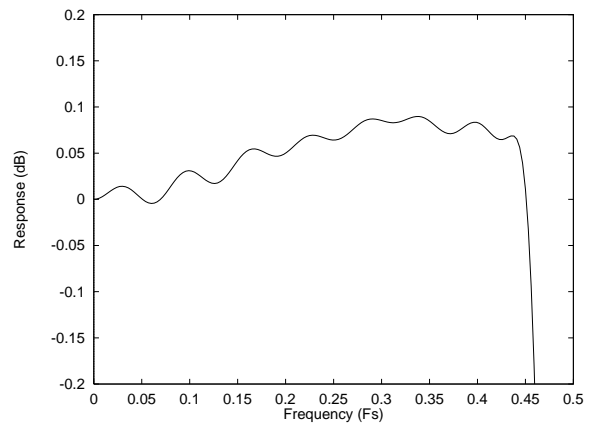


Figure 17 DAC Digital Filter Ripple
-44.1, 48 and 96kHz

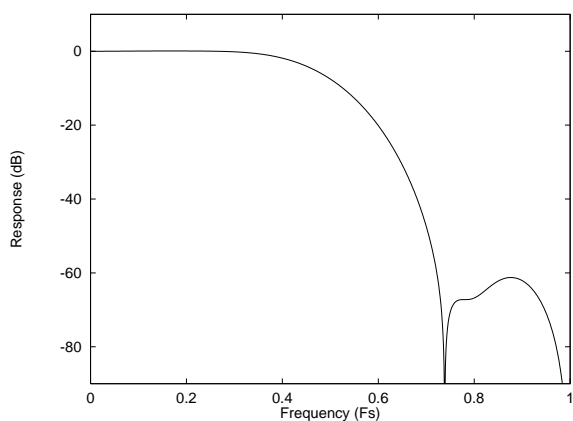


Figure 18 DAC Digital Filter Frequency Response
-192kHz

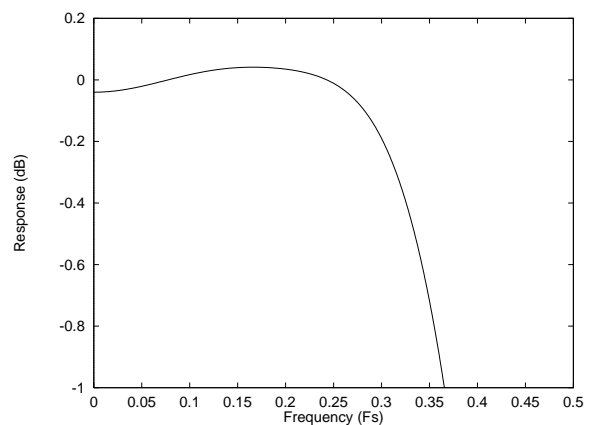


Figure 19 DAC Digital Filter Ripple
-192kHz

DIGITAL DE-EMPHASIS CHARACTERISTICS

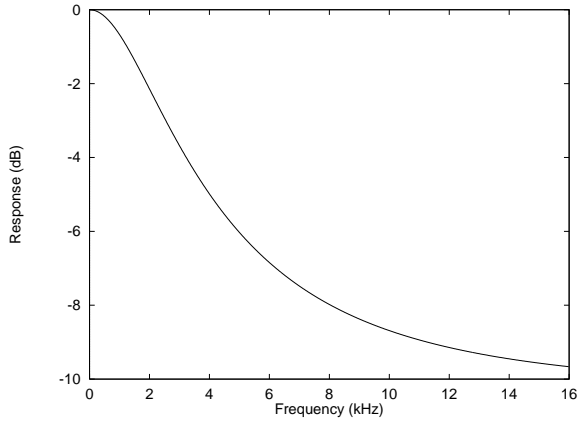


Figure 20 De-Emphasis Frequency Response (32kHz)

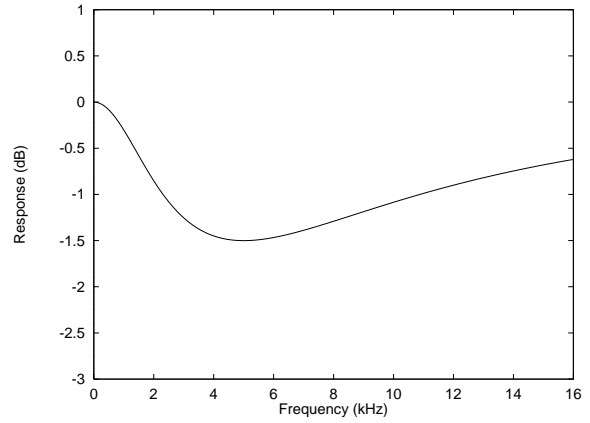


Figure 21 De-Emphasis Error (32kHz)

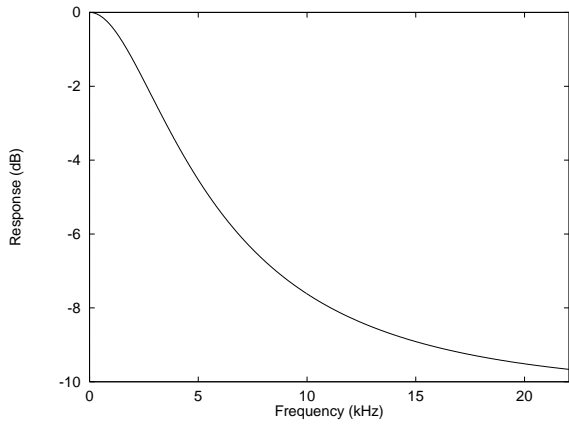


Figure 22 De-Emphasis Frequency Response (44.1kHz)

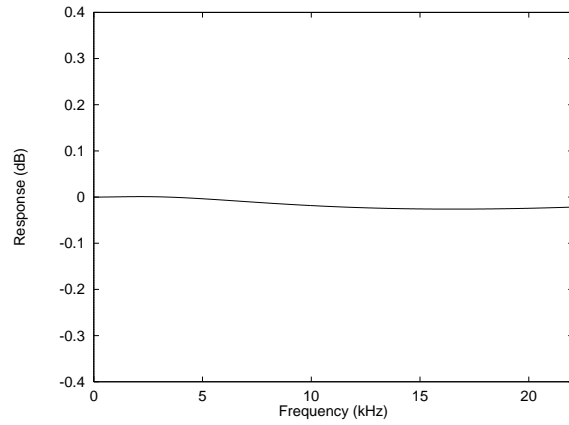


Figure 23 De-Emphasis Error (44.1kHz)

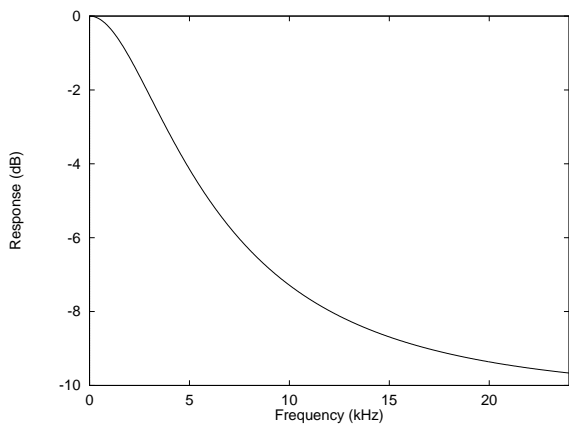


Figure 24 De-Emphasis Frequency Response (48kHz)

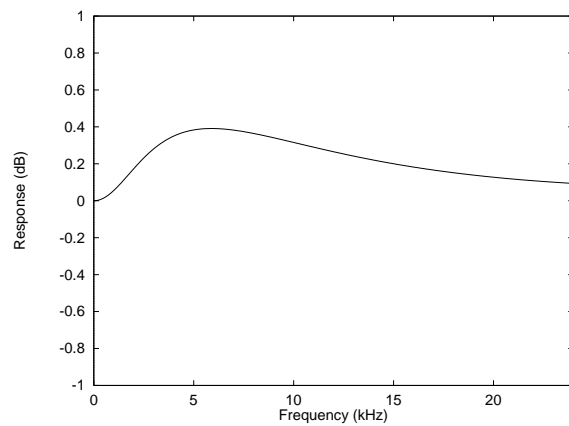


Figure 25 De-Emphasis Error (48kHz)

DSD MODE CHARACTERISTICS

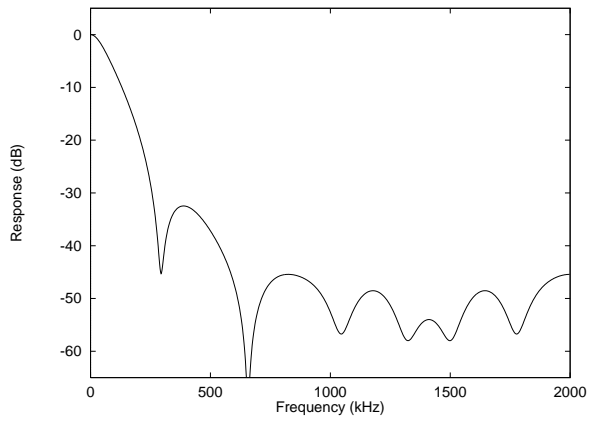


Figure 26 DSD Frequency Response - no post filter

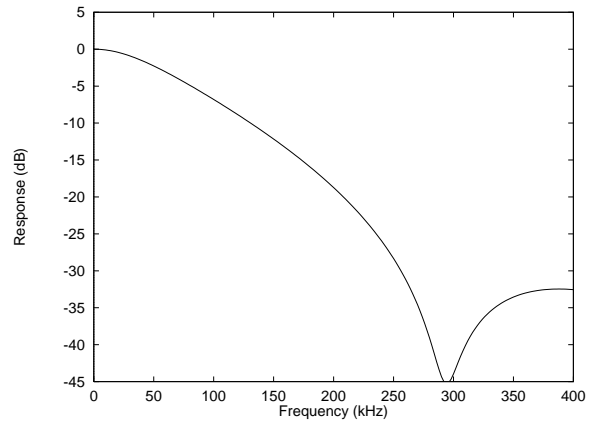


Figure 27 DSD Frequency Response - no post filter

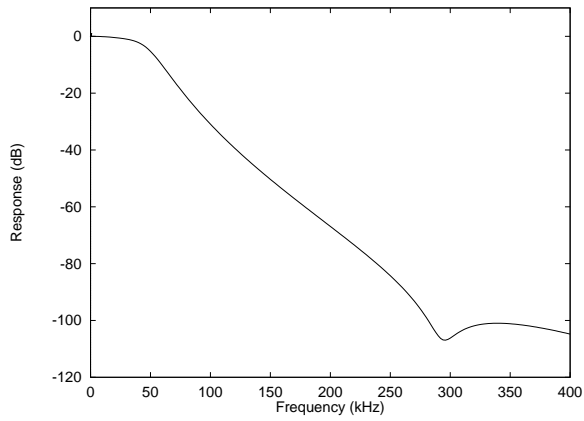


Figure 28 DSD frequency response - 4th order post filter

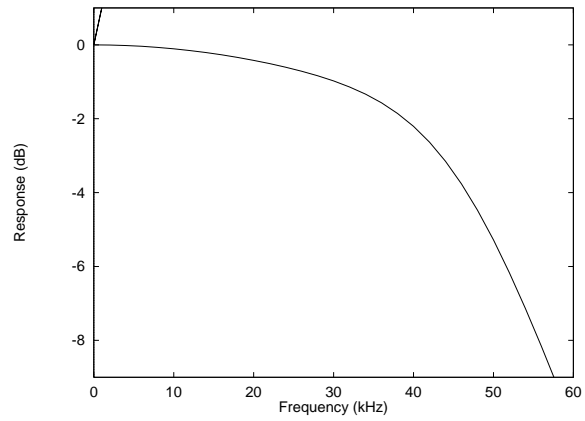


Figure 29 DSD frequency response - 4th order post filter

RECOMMENDED EXTERNAL COMPONENTS

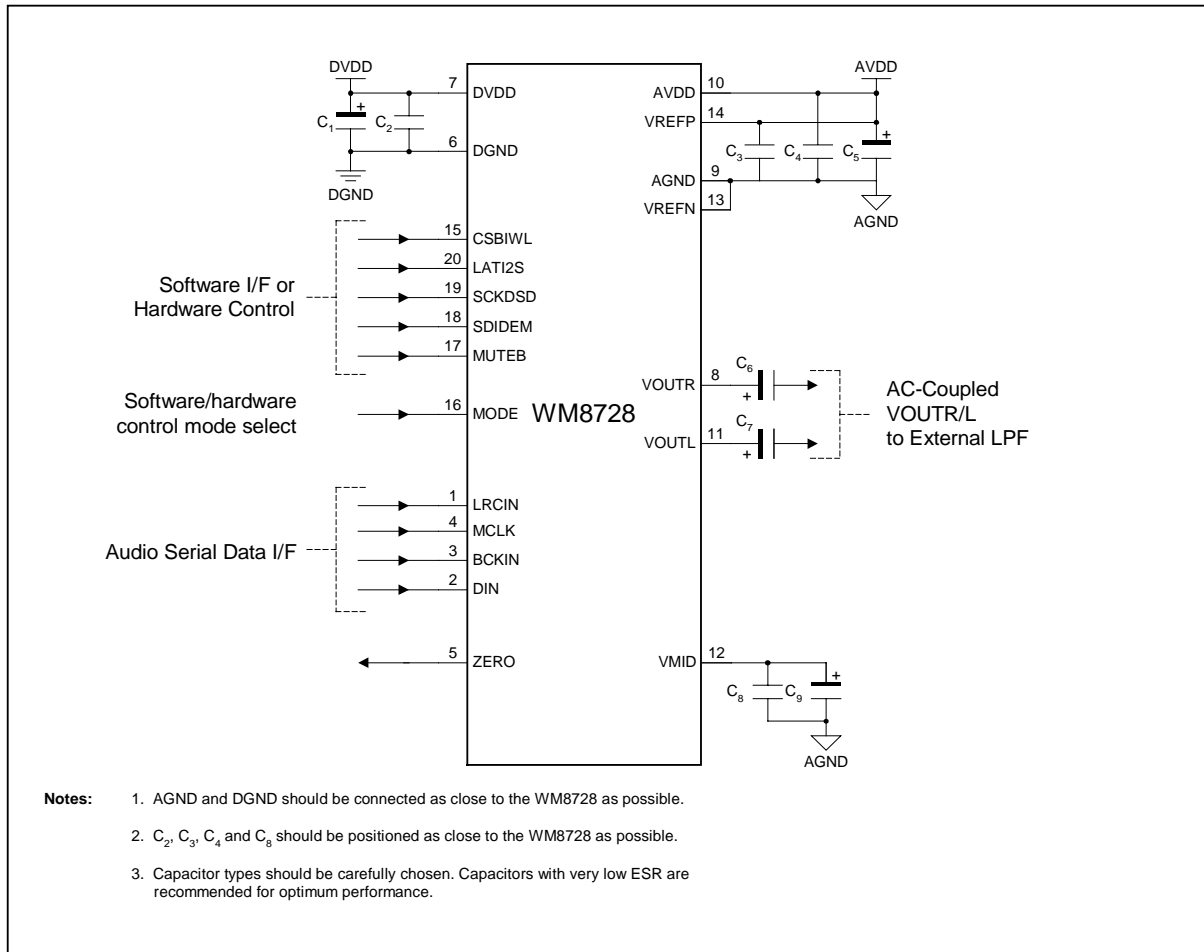


Figure 30 External Components Diagram

RECOMMENDED EXTERNAL COMPONENTS VALUES

COMPONENT REFERENCE	SUGGESTED VALUE	DESCRIPTION
C1 and C5	10µF	De-coupling for DVDD and AVDD/VREFP
C2 to C4	0.1µF	De-coupling for DVDD and AVDD/VREFP
C6 and C7	10µF	Output AC coupling caps to remove midrail DC level from outputs.
C8	0.1µF	Reference de-coupling capacitors for VMID pin.
C9	10µF	

Table 22 External Components Description

RECOMMENDED DSD EXTERNAL COMPONENTS

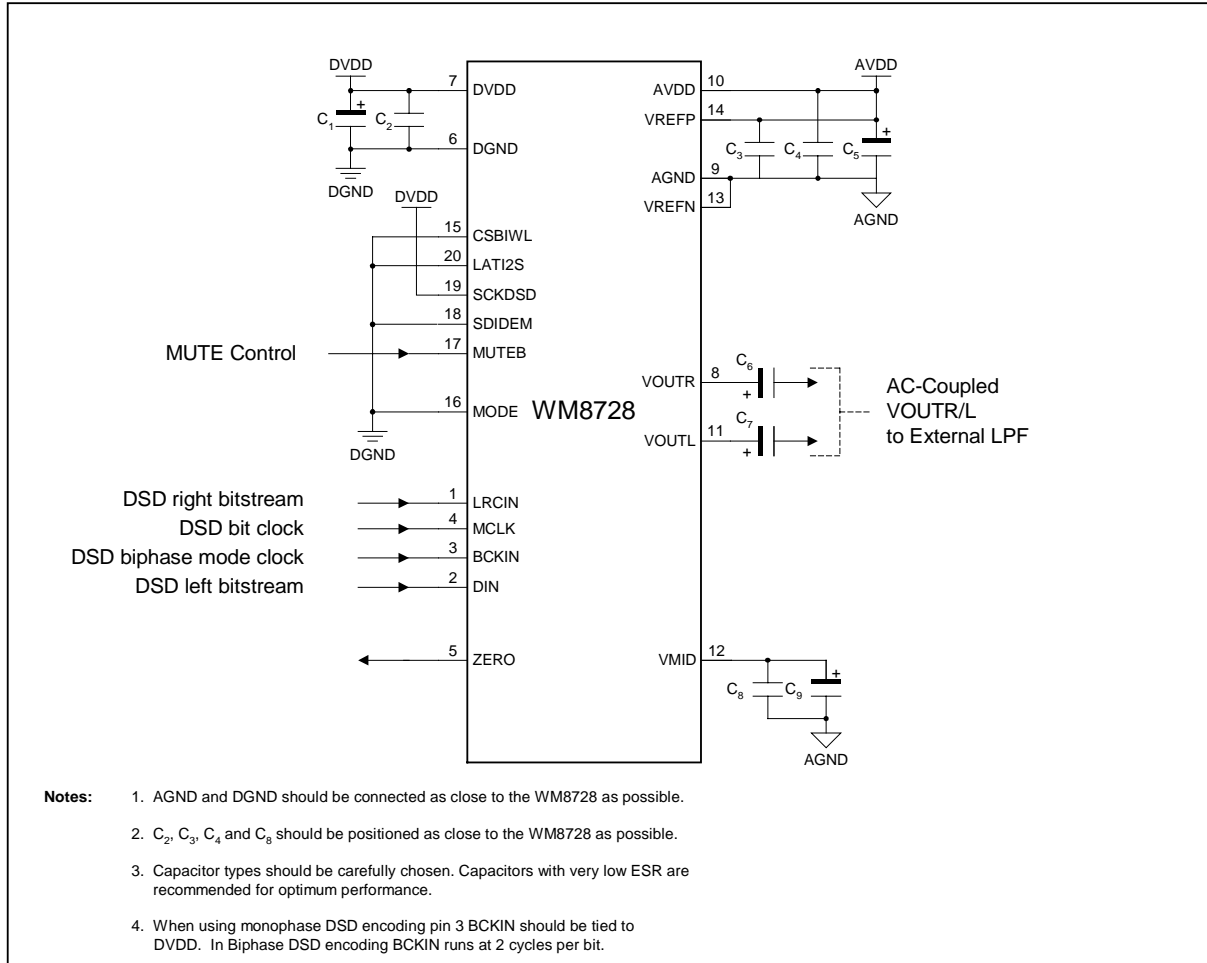


Figure 31 External Connections for DSD Applications

RECOMMENDED EXTERNAL COMPONENTS VALUES FOR DSD

COMPONENT REFERENCE	SUGGESTED VALUE	DESCRIPTION
C1 and C5	10µF	De-coupling for DVDD and AVDD.
C2 to C4	0.1µF	De-coupling for DVDD and AVDD.
C6 and C7	10µF	Output AC coupling caps to remove midrail DC level from outputs.
C8	0.1µF	Reference de-coupling capacitors for VMID pin.
C9	10µF	

Table 23 External Components for DSD

RECOMMENDED DSD CONNECTIONS

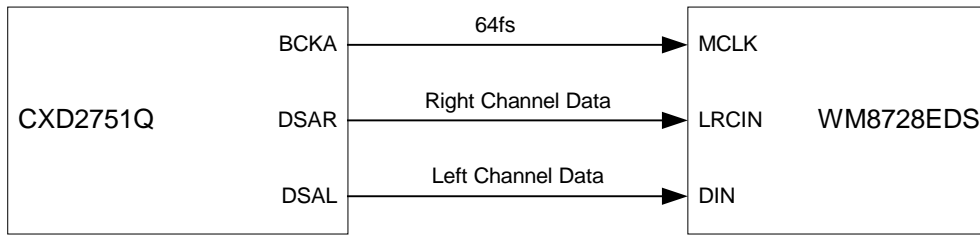


Figure 32 Monophase Mode Connection Diagram

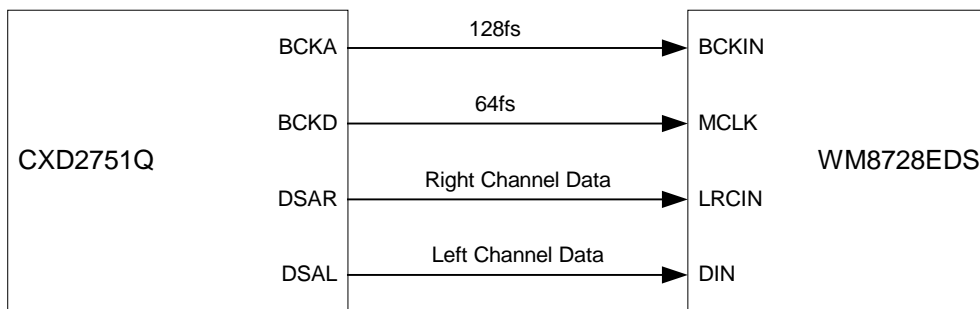


Figure 33 Biphase Mode Connection Diagram

- DSD mode is selected with the WM8728 by pulling the SCKDSD pin high while the MODE pin is held low.
- DSD mode is hardware only operation.
- The CXD2751Q from Sony is a signal processor for Super Audio CD playback.

RECOMMENDED ANALOGUE LOW PASS FILTER FOR PCM DATA FORMAT (OPTIONAL)

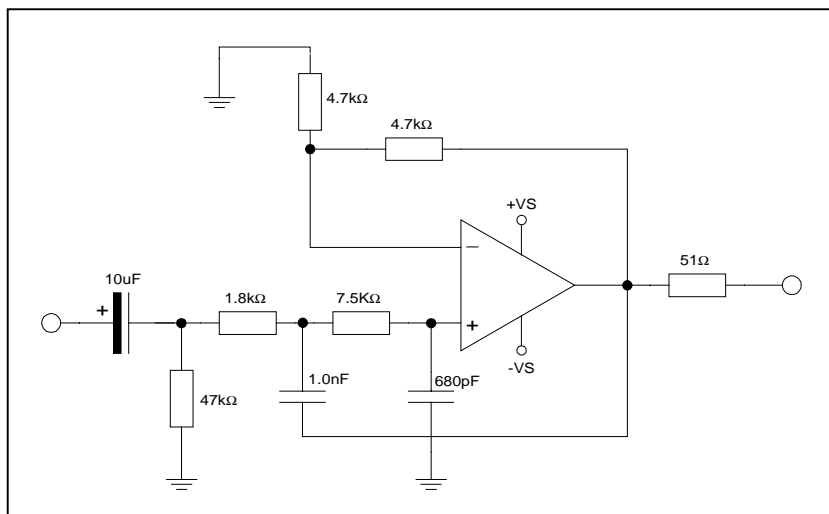
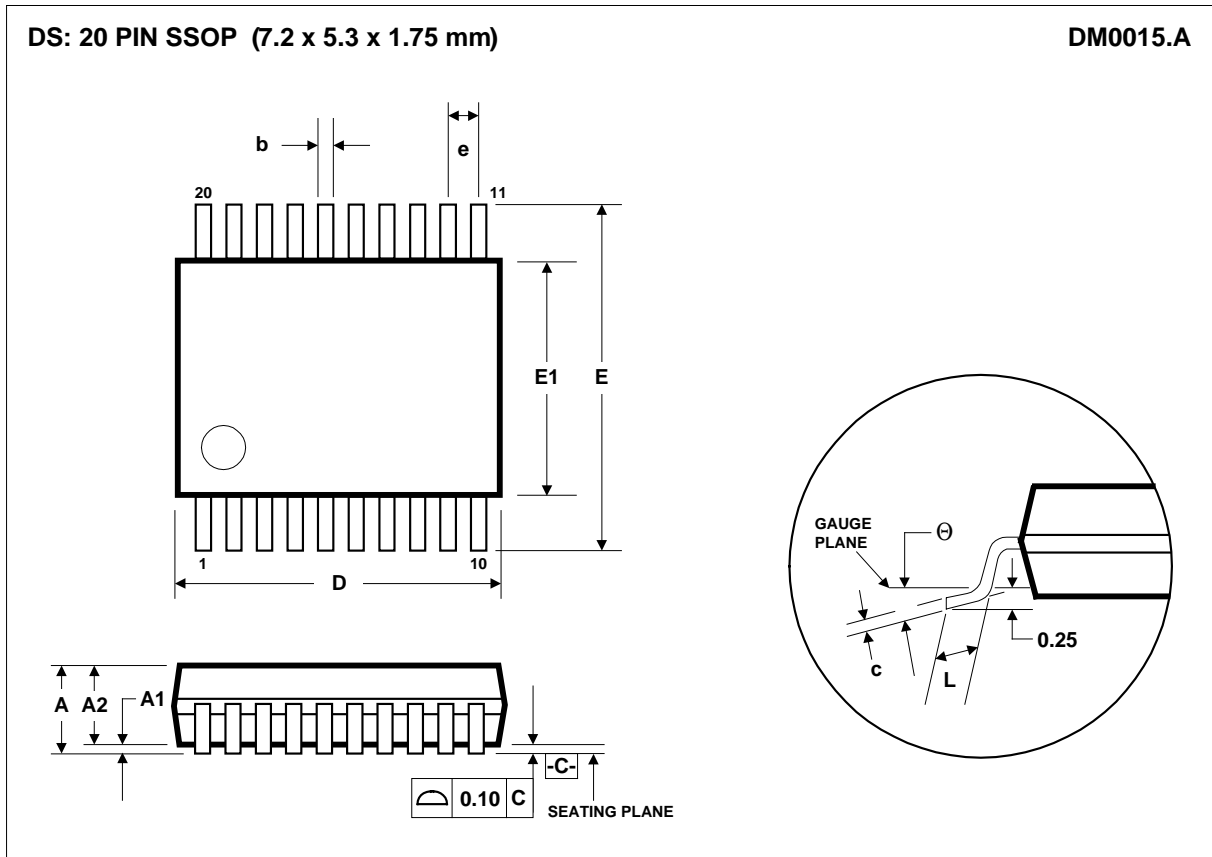


Figure 34 Recommended Low Pass Filter (Optional)

PACKAGE DIMENSIONS



Symbols	Dimensions (mm)		
	MIN	NOM	MAX
A	-----	-----	2.0
A ₁	0.05	-----	-----
A ₂	1.65	1.75	1.85
b	0.22	-----	0.38
c	0.09	-----	0.25
D	6.90	7.20	7.50
e	0.65 BSC		
E	7.40	7.80	8.20
E ₁	5.00	5.30	5.60
L	0.55	0.75	0.95
θ	0°	4°	8°
REF:	JEDEC.95, MO-150		

- NOTES:
 A. ALL LINEAR DIMENSIONS ARE IN MILLIMETERS.
 B. THIS DRAWING IS SUBJECT TO CHANGE WITHOUT NOTICE.
 C. BODY DIMENSIONS DO NOT INCLUDE MOLD FLASH OR PROTRUSION, NOT TO EXCEED 0.20MM.
 D. MEETS JEDEC.95 MO-150, VARIATION = AE. REFER TO THIS SPECIFICATION FOR FURTHER DETAILS.