

MICRO ELECTRONICS

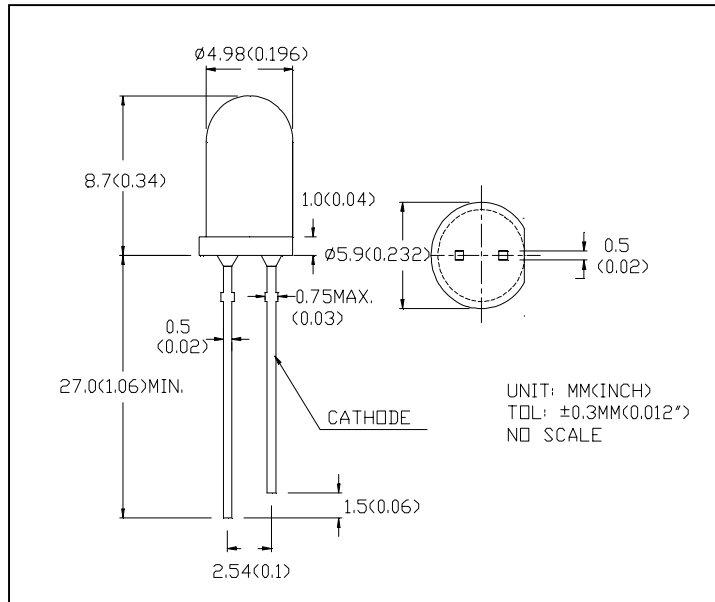
查询"MWB51TA-DI"供应商

MWB51TA-DI
MWB51TB-DI
MWB51TK-DI

**ULTRA HIGH
 BRIGHTNESS
 WHITE LED LAMP**

DESCRIPTION

MWB51TX-DI is an ultra high brightness InGaN/GaN white LED lamp encapsulated in a 5mm diameter clear transparent lens .



ABSOLUTE MAXIMUM RATINGS

Power Dissipation @ Ta=25°C	125mW
Continuous Forward Current	30mA
Reverse Voltage	5V
Operating Temperature Range	-20 to +80°C
Storage Temperature Range	-30 to +100°C
Lead Soldering Temperature (1/16" from body)	260°C for 5 sec.

ELECTRO-OPTICAL CHARACTERISTICS (Ta=25°C)

PARAMETER	SYMBOL	MIN	TYP	MAX	UNIT	CONDITIONS
Forward Voltage	VF		3.5	4.5	V	IF=20mA
Reverse Breakdown Voltage	BVR	5			V	IR=100µA
Luminous Intensity	IV	2500	3800		mcd	IF=20mA
					mcd	IF=20mA
					mcd	IF=20mA
Viewing Angle	2θ 1/2		20		degree	IF=20mA
					degree	IF=20mA
					degree	IF=20mA
Chromaticity Coordinates	x		0.30			IF=20mA
	y		0.30			IF=20mA

CAUTION

REV : C

Static electricity and surge damages the LED ,It is recommended to use a wrist band or anti-eletrostatic glove when handling the LED . All devices,equipment and machinery must be properly grounded.



MICRO ELECTRONICS LTD.

7/F, Enterprise Square Three,39 Wang Chiu Road, Kowloon Bay, Kowloon, Hong Kong.
 Tel : (852) 2343 0181 Fax: (852) 2341 0321 Website : www.microelectr.com.hk

15/8/2003