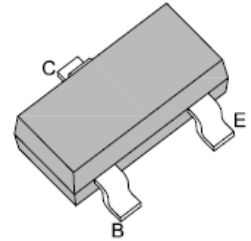


SMD High Voltage Transistor (PNP)

Features

- This device is designed for high voltage driver applications
- RoHS compliance



Mechanical Data

Case:	SOT-23, Plastic Package
Terminals:	Solderable per MIL-STD-202G, Method 208
Weight:	0.008 gram

SOT-23



Maximum Ratings *(T_{Ambient}=25°C unless noted otherwise)*

Symbol	Description	MMBTA92	Unit
	Marking Code	2D	
-V_{CBO}	Collector-Base Voltage	300	V
-V_{CEO}	Collector-Emitter Voltage	300	V
-V_{EBO}	Emitter-Base Voltage	5	V
-I_C	Collector Current	500	mA
P_{tot}	Power Dissipation up to T _A =25°C	250	mW
T_J	Junction Temperature	150	°C
T_{STG}	Storage Temperature Range	-55 to +150	°C

SMD High Voltage Transistor (PNP)

MMBTA92

Electrical Characteristics ($T_{Ambient}=25^{\circ}C$ unless noted otherwise)

Symbol	Description	MMBTA92		Unit	Conditions
		Min.	Max.		
hFE	D.C. Current Gain	25	-		-VCE=10V, -IC=1mA
		40	-		-VCE=10V, -IC=10mA
		25	-		-VCE=10V, -IC=30mA
-V(BR)CEO	Collector-Emitter Breakdown Voltage	300	-	V	-IC=1mA, IB=0
-V(BR)CBO	Collector-Base Breakdown Voltage	300	-	V	-IC=100μA, IE=0
-V(BR)EBO	Emitter-Base Breakdown Voltage	5	-	V	-IE=100μA, IC=0
-VCE(sat)	Collector-Emitter Saturation Voltage	-	0.5	V	-IC=20mA, -IB=2mA
-VBE(sat)	Base-Emitter Saturation Voltage	-	0.9	V	-IC=20mA, -IB=2mA
-IEBO	Collector-Emitter Cut-off Current	-	0.1	mA	-VBE=3V, IC=0
-ICBO	Collector-Base Cut-off Current	-	0.25	μA	-VCB=200V, IE=0
fT	Current Gain-Bandwidth Product	50	-	MHz	-VCE=20V, -IC=10mA, f=100MHz
Ccb	Collector-Base Capacitance	-	6	pF	-VCB=20V, IE=0, f=1.0MHz,

SMD High Voltage Transistor (PNP)

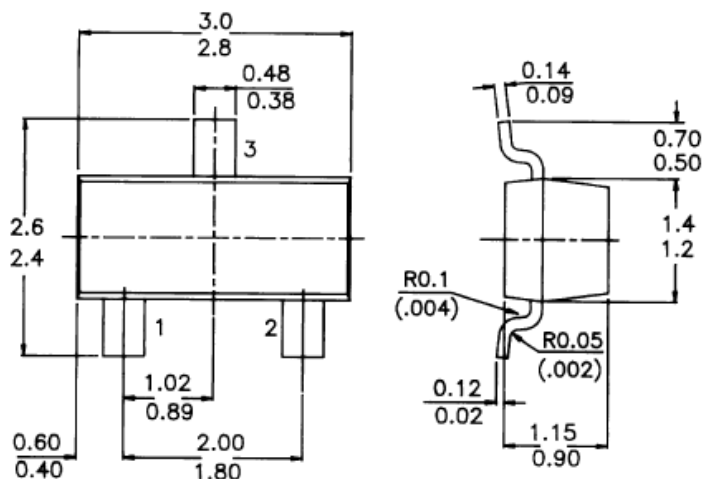
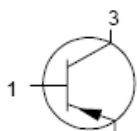
MMBTA92

Dimensions in mm

SOT-23

Pin configuration

- 1 = BASE
- 2 = EMITTER
- 3 = COLLECTOR



How to contact us:

US HEADQUARTERS

28040 WEST HARRISON PARKWAY, VALENCIA, CA 91355-4162

Tel: (800) TAITRON (800) 824-8766 (661) 257-6060

Fax: (800) TAITFAX (800) 824-8329 (661) 257-6415

Email: taitron@taitroncomponents.com

Http://www.taitroncomponents.com

TAITRON COMPONENTS MEXICO, S.A .DE C.V.

BOULEVARD CENTRAL 5000 INTERIOR 5 PARQUE INDUSTRIAL ATITALAQUIA, HIDALGO C.P.

42970 MEXICO

Tel: +52-55-5560-1519

Fax: +52-55-5560-2190

TAITRON COMPONENTS INCORPORATED REPRESENTAÇÕES DO BRASIL LTDA

RUA DOMINGOS DE MORAIS, 2777, 2.ANDAR, SALA 24 SAÚDE - SÃO PAULO-SP 04035-001 BRAZIL

Tel: +55-11-5574-7949

Fax: +55-11-5572-0052

TAITRON COMPONENTS INCORPORATED, SHANGHAI REPRESENTATIVE OFFICE

METROBANK PLAZA, 1160 WEST YAN' AN ROAD, SUITE 1503, SHANGHAI, 200052, CHINA

Tel: +86-21-5424-9942

Fax: +86-21-5424-9931