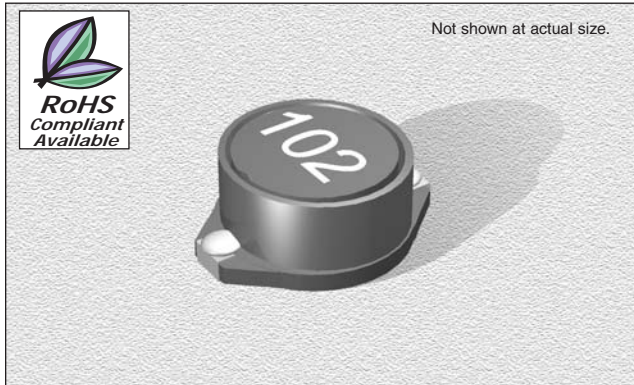


查询"CTDSS0805E-330L"供应商

CTDSS0805 Series

From 2.2 μ H to 1,000 μ H



CHARACTERISTICS

Description: SMD (shielded) power inductor

Applications: Ideal for high performance DC/DC converter applications, computers, LCD displays and telecommunication equipment. Especially those requiring shielding and low profiles

Operating Temperature: -25°C to +105°C

Storage Temperature: -40°C to +125°C

Inductance Tolerance: $\pm 10\%$, $\pm 15\%$ & $\pm 20\%$

Testing: Inductance and Q are tested on an HP4284A or HP4285A at specified frequency

Packaging: Tape & Reel

Marking: Parts are marked with inductance code

Rated Current: Based on temperature rise

Temperature Rise: 40°C Max. @ rated DC

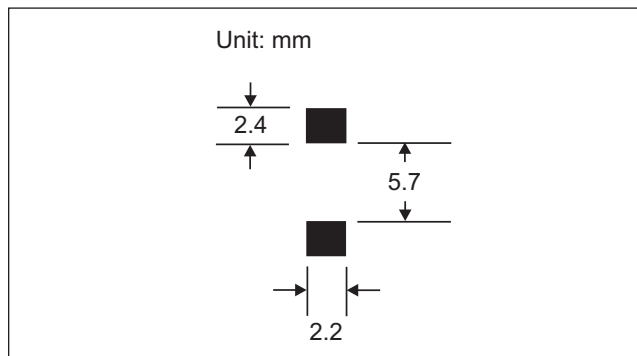
Resistance to Solder Heat: 260°C 10 sec

Miscellaneous: **RoHS Compliant available.** Magnetically shielded.

Additional Information: Additional electrical & physical information available upon request

Samples available. See website for ordering information.

PAD LAYOUT



SPECIFICATIONS

Part numbers indicate available tolerance.

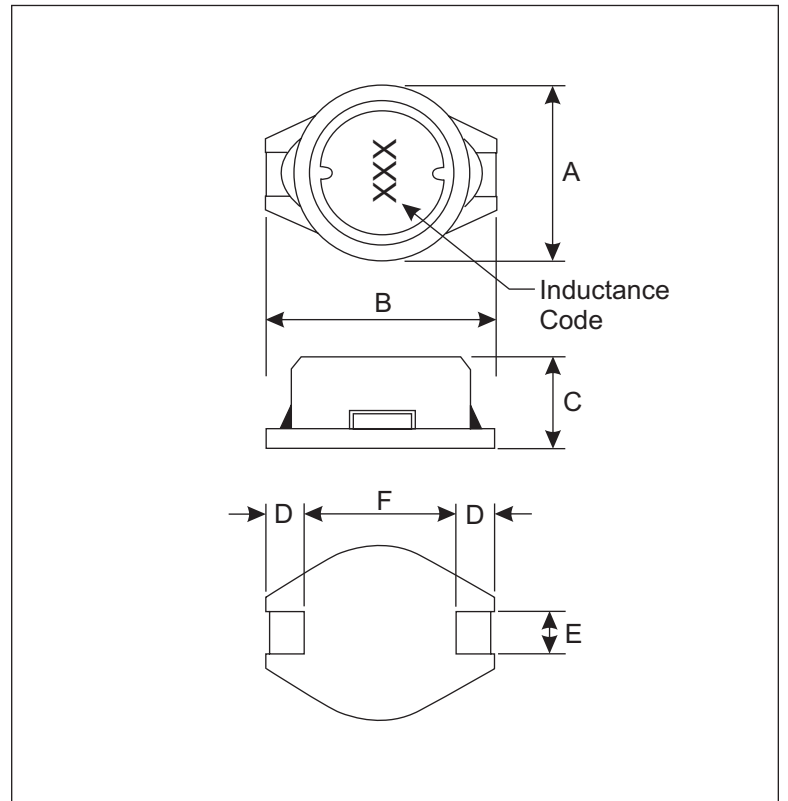
K = $\pm 10\%$, L = $\pm 15\%$ M = $\pm 20\%$

CTDSS0805E Please specify "E" for RoHS compliant.

Part Number	Inductance (μ H)	L Test Freq. (kHz)	Q Fact. Nom.	Q Test Freq. (MHz)	SRF Nom. (MHz)	DCR Max. (Ω)	Rated DC Max. (A)
CTDSS0805_-2R2M	2.2	1.0	18	7.96	75.0	.040	2.50
CTDSS0805_-3R3M	3.3	1.0	20	7.96	60.0	.050	2.30
CTDSS0805_-3R9M	3.9	1.0	20	7.96	50.0	.055	2.10
CTDSS0805_-4R7M	4.7	1.0	24	7.96	45.0	.062	2.00
CTDSS0805_-5R6M	5.6	1.0	20	7.96	40.0	.065	1.95
CTDSS0805_-8R2M	8.2	1.0	19	7.96	32.0	.080	1.75
CTDSS0805_-100M	10	1.0	40	2.52	28.0	.100	1.50
CTDSS0805_-120M	12	1.0	40	2.52	24.0	.120	1.40
CTDSS0805_-150M	15	1.0	40	2.52	22.0	.140	1.30
CTDSS0805_-180L	18	1.0	40	2.52	19.0	.160	1.20
CTDSS0805_-220L	22	1.0	38	2.52	17.0	.180	1.10
CTDSS0805_-270L	27	1.0	35	2.52	15.5	.200	1.00
CTDSS0805_-330L	33	1.0	40	2.52	13.5	.240	0.92
CTDSS0805_-390L	39	1.0	35	2.52	12.0	.260	0.84
CTDSS0805_-470L	47	1.0	32	2.52	10.5	.280	0.75
CTDSS0805_-560K	56	1.0	30	2.52	9.50	.380	0.68
CTDSS0805_-680K	68	1.0	28	2.52	9.00	.440	0.60
CTDSS0805_-820K	82	1.0	28	2.52	8.50	.550	0.54
CTDSS0805_-101K	100	1.0	45	.796	7.50	.600	0.50
CTDSS0805_-121K	120	1.0	42	.796	7.00	.750	0.45
CTDSS0805_-151K	150	1.0	39	.796	6.50	.900	0.40
CTDSS0805_-181K	180	1.0	41	.796	4.80	1.05	0.35
CTDSS0805_-221K	220	1.0	38	.796	4.50	1.18	0.30
CTDSS0805_-271K	270	1.0	37	.796	4.20	1.40	0.27
CTDSS0805_-331K	330	1.0	36	.796	3.80	1.80	0.24
CTDSS0805_-471K	470	1.0	34	.796	3.50	2.25	0.20
CTDSS0805_-561K	560	1.0	32	.796	3.00	3.00	0.18
CTDSS0805_-681K	680	1.0	32	.796	2.80	3.40	0.17
CTDSS0805_-821K	820	1.0	35	.796	2.50	4.00	0.16
CTDSS0805_-102K	1000	1.0	35	.252	2.20	5.00	0.15

PHYSICAL DIMENSIONS

Size	A	B	C	D	E	F
mm	8.0 \pm 0.2	10.5 \pm 0.2	4.5 \pm 0.3	2.1 \pm 0.2	2.0 \pm 0.2	6.0 \pm 0.3
inches	0.31 \pm 0.008	0.41 \pm 0.008	0.18 \pm 0.012	0.08 \pm 0.008	0.08 \pm 0.008	0.24 \pm 0.012



05.01.06