

[查询"MM908E625ACDWB"供应商](#)

# Integrated Quad Half H-Bridge with Power Supply, Embedded MCU, and LIN Serial Communication

The 908E625 is an integrated single-package solution including a high-performance HC08 microcontroller with a SMARTMOS™ analog control IC. The HC08 includes Flash Memory, a timer, Enhanced Serial Communications Interface (ESCI), an Analog-to-Digital Converter (ADC), Serial Peripheral Interface (SPI) (only internal), and an Internal Clock Generator (ICG) module. The analog control die provides fully protected H-Bridge/high-side outputs, voltage regulator, autonomous watchdog with cyclic wake-up, and Local Interconnect Network (LIN) physical layer.

The single-package solution, together with LIN, provides optimal application performance adjustments and space-saving PCB design. It is well suited for the control of automotive mirror, door lock, and light-levelling applications.

## Features

- High-Performance M68HC908EY16 Core
- 16 K Bytes of On-Chip Flash Memory
- 512 Bytes of RAM
- Internal Clock Generation Module
- Two 16-bit, 2-Channel Timers
- 10-Bit Analog-to-Digital Converter
- LIN Physical Layer
- Autonomous Watchdog with Cyclic Wakeup
- Three Two-Terminal Hall-Effect Sensor Input Ports
- One Analog Input with Switchable Current Source
- Four Low RDS(ON) Half-Bridge Outputs
- One Low RDS(ON) High-Side Output
- 13 Micro Controller I/Os

**908E625**

**H-BRIDGE POWER SUPPLY WITH EMBEDDED MCU AND LIN**



ORDERING INFORMATION		
Device	Temperature Range (T <sub>A</sub> )	Package
MM908E625ACDWB	-40°C to 85°C	54 SOICW EP

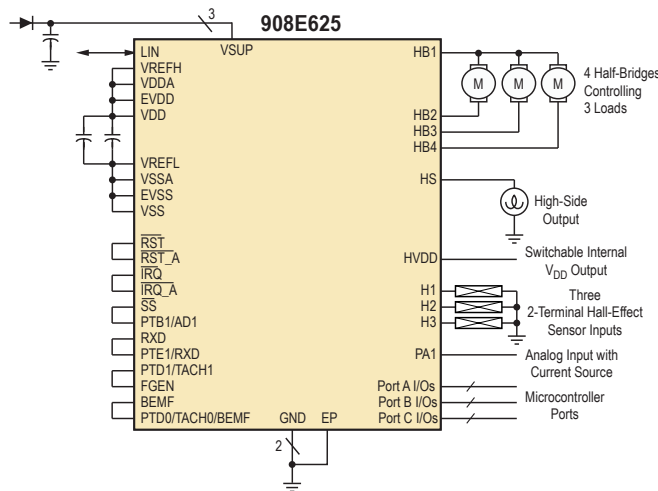


Figure 1. 908E625 Simplified Application Diagram

\* This document contains certain information on a new product. Specifications and information herein are subject to change without notice.

[查询"MM908E625ACDWB"供应商](#)

INTERNAL BLOCK DIAGRAM

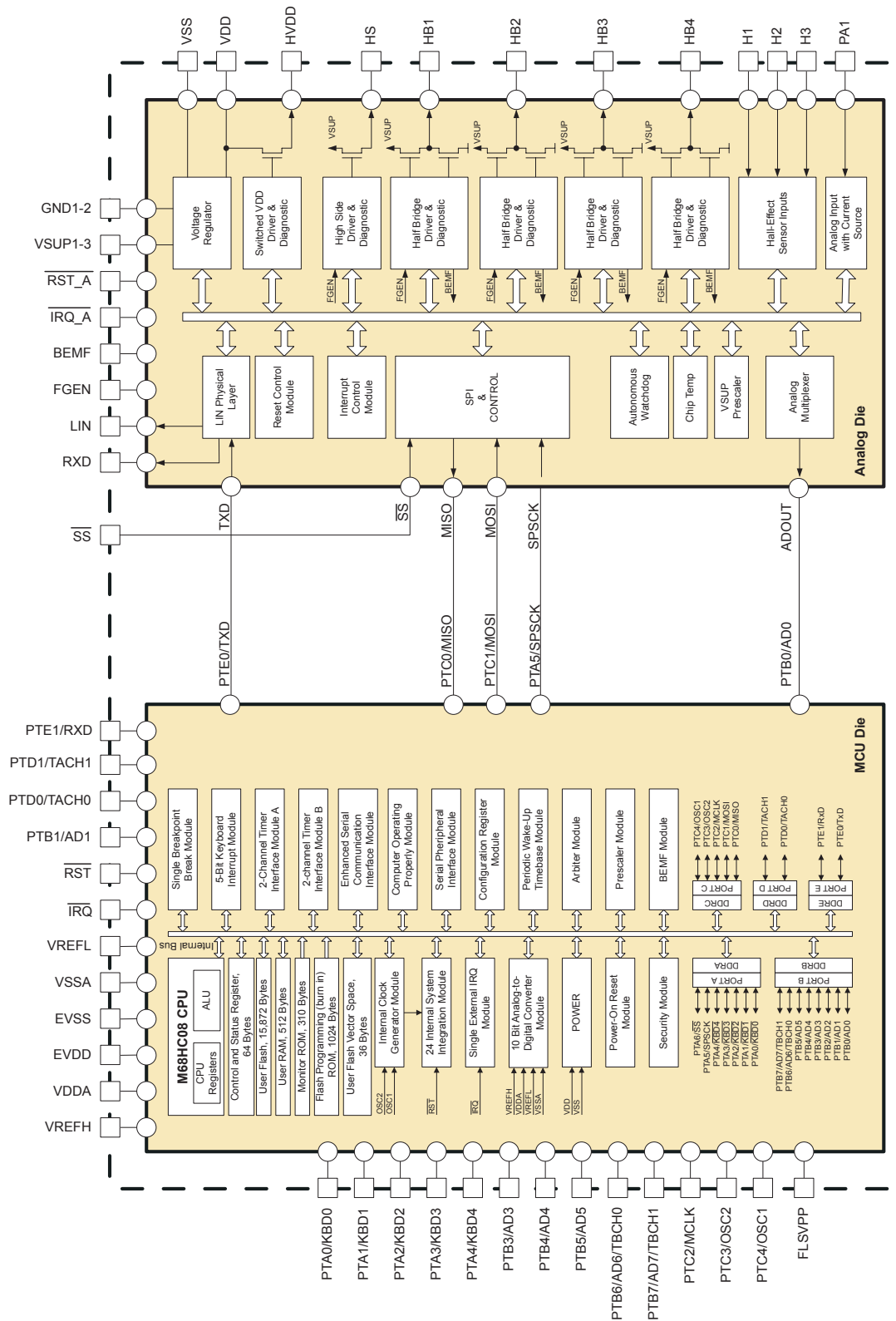


Figure 2. 908E625 Simplified Internal Block Diagram

[查询"MM908E625ACDWB"供应商](#)

### TERMINAL CONNECTIONS

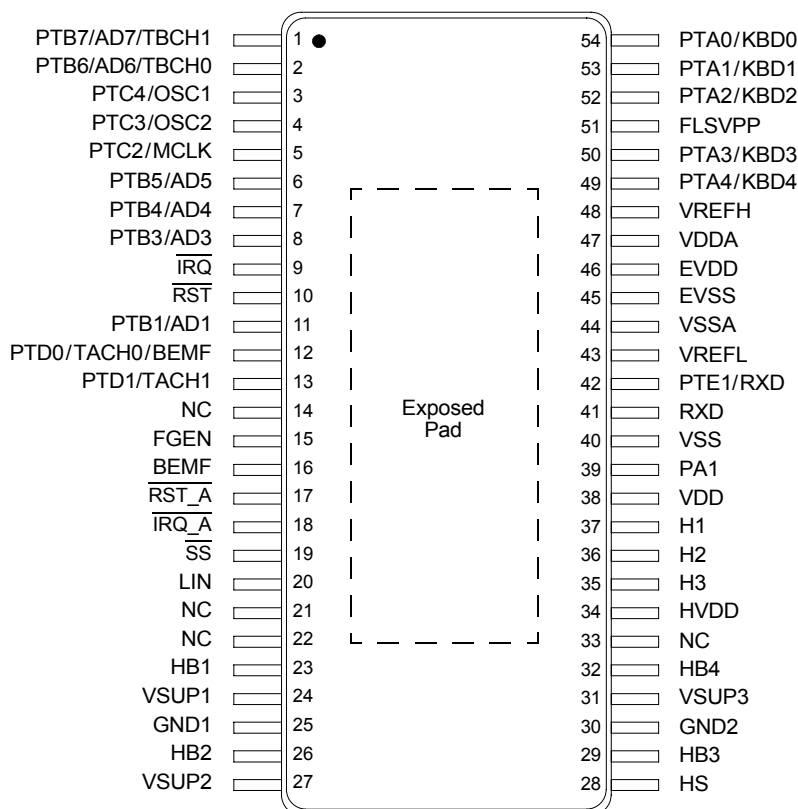


Figure 3. 908E625 Terminal Connections (Transparent Package Top View)

Table 1. 908E625 Terminal Definitions

A functional description of each terminal can be found in the Functional Terminal Description section beginning on [page 15](#).

Terminal Function	Terminal	Terminal Name	Formal Name	Definition
MCU	1 2 6 7 8 11	PTB7/AD7/TBCH1 PTB6/AD6/TBCH0 PTB5/AD5 PTB4/AD4 PTB3/AD3 PTB1/AD1	Port B I/Os	These terminals are special-function, bidirectional I/O port terminals that are shared with other functional modules in the MCU.
MCU	3 4 5	PTC4/OSC1 PTC3/OSC2 PTC2/MCLK	Port C I/Os	These terminals are special-function, bidirectional I/O port terminals that are shared with other functional modules in the MCU.
MCU	9	$\overline{IRQ}$	External Interrupt Input	This terminal is an asynchronous external interrupt input terminal.
MCU	10	$\overline{RST}$	External Reset	This terminal is bidirectional, allowing a reset of the entire system. It is driven low when any internal reset source is asserted.
MCU	12 13	PTD0/TACH0/BEMF PTD1/TACH1	Port D I/Os	These terminals are special-function, bidirectional I/O port terminals that are shared with other functional modules in the MCU.
–	14, 21, 22, 33	NC	No Connect	Not connected.

[查询"MM908E625ACDWB"供应商](#)

**Table 1. 908E625 Terminal Definitions (continued)**

A functional description of each terminal can be found in the Functional Terminal Description section beginning on [page 15](#).

Terminal Function	Terminal	Terminal Name	Formal Name	Definition
MCU	42	PTE1/RXD	Port E I/O	This terminal is a special-function, bidirectional I/O port terminal that can be shared with other functional modules in the MCU.
MCU	43 48	VREFL VREFH	ADC References	These terminals are the reference voltage terminals for the analog-to-digital converter (ADC).
MCU	44 47	VSSA VDDA	ADC Supply Terminals	These terminals are the power supply terminals for the analog-to-digital converter.
MCU	45 46	EVSS EVDD	MCU Power Supply Terminals	These terminals are the ground and power supply terminals, respectively. The MCU operates from a single power supply.
MCU	49 50 52 53 54	PTA4/KBD4 PTA3/KBD3 PTA2/KBD2 PTA1/KBD1 PTA0/KBD0	Port A I/Os	These terminals are special-function, bidirectional I/O port terminals that are shared with other functional modules in the MCU.
MCU	51	FLSVPP	Test Terminal	For test purposes only. Do not connect in the application.
Analog	15	FGEN	Current Limitation Frequency Input	This is the input terminal for the half-bridge current limitation and the high-side inrush current limiter PWM frequency.
Analog	16	BEMF	Back Electromagnetic Force Output	This terminal gives the user information about back electromagnetic force (BEMF).
Analog	17	$\overline{\text{RST\_A}}$	Internal Reset	This terminal is the bidirectional reset terminal of the analog die.
Analog	18	$\overline{\text{IRQ\_A}}$	Internal Interrupt Output	This terminal is the interrupt output terminal of the analog die indicating errors or wake-up events.
Analog	19	$\overline{\text{SS}}$	Slave Select	This terminal is the SPI slave select terminal for the analog chip.
Analog	20	LIN	LIN Bus	This terminal represents the single-wire bus transmitter and receiver.
Analog	23 26 29 32	HB1 HB2 HB3 HB4	Half-Bridge Outputs	This device includes power MOSFETs configured as four half-bridge driver outputs. These outputs may be configured for step motor drivers, DC motor drivers, or as high-side and low-side switches.
Analog	24 27 31	VSUP1 VSUP2 VSUP3	Power Supply Terminals	These terminals are device power supply terminals.
Analog	25 30	GND1 GND2	Power Ground Terminals	These terminals are device power ground connections.
Analog	28	HS	High-Side Output	This output terminal is a low $R_{\text{DS(ON)}}$ high-side switch.
Analog	34	HVDD	Switchable $V_{\text{DD}}$ Output	This terminal is a switchable $V_{\text{DD}}$ output for driving resistive loads requiring a regulated 5.0 V supply; e.g., 3-terminal Hall-effect sensors.
Analog	35 36 37	H3 H2 H1	Hall-Effect Sensor Inputs	These terminals provide inputs for Hall-effect sensors and switches.
Analog	38	VDD	Voltage Regulator Output	The +5.0 V voltage regulator output terminal is intended to supply the embedded microcontroller.
Analog	39	PA1	Analog Input	This terminal is an analog input port with selectable source values.
Analog	40	VSS	Voltage Regulator Ground	Ground terminal for the connection of all non-power ground connections (microcontroller and sensors).

[查询"MM908E625ACDWB"供应商](#)**Table 1. 908E625 Terminal Definitions (continued)**

A functional description of each terminal can be found in the Functional Terminal Description section beginning on [page 15](#).

Terminal Function	Terminal	Terminal Name	Formal Name	Definition
Analog	41	RXD	LIN Transceiver Output	This terminal is the output of LIN transceiver.
–	EP	Exposed Pad	Exposed Pad	The exposed pad terminal on the bottom side of the package conducts heat from the chip to the PCB board.

[查询"MM908E625ACDWB"供应商](#)**MAXIMUM RATINGS****Table 2. Maximum Ratings**

All voltages are with respect to ground unless otherwise noted. Exceeding these ratings may cause a malfunction or permanent damage to the device.

Ratings	Symbol	Value	Unit
<b>ELECTRICAL RATINGS</b>			
Supply Voltage			V
Analog Chip Supply Voltage under Normal Operation, Steady State	$V_{SUP(SS)}$	-0.3 to 28	
Analog Chip Supply Voltage under Transient Conditions <sup>(1)</sup>	$V_{SUP(PK)}$	-0.3 to 40	
Microcontroller Chip Supply Voltage	$V_{DD}$	-0.3 to 6.0	
Input Terminal Voltage			V
Analog Chip	$V_{IN(ANALOG)}$	-0.3 to 5.5	
Microcontroller Chip	$V_{IN(MCU)}$	$V_{SS}-0.3$ to $V_{DD}+0.3$	
Maximum Microcontroller Current per Terminal			mA
All Terminals Except VDD, VSS, PTA0:PTA6, PTC0:PTC1	$I_{PIN(1)}$	±15	
Terminals PTA0:PTA6, PTC0:PTC1	$I_{PIN(2)}$	±25	
Maximum Microcontroller $V_{SS}$ Output Current	$I_{MVSS}$	100	mA
Maximum Microcontroller $V_{DD}$ Input Current	$I_{MVDD}$	100	mA
LIN Supply Voltage			V
Normal Operation (Steady-State)	$V_{BUS(SS)}$	-18 to 28	
Transient Conditions <sup>(1)</sup>	$V_{BUS(DYNAMIC)}$	40	
ESD Voltage			V
Human Body Model (HBM) <sup>(2)</sup>	$V_{ESD}$	±3000	
Machine Model (MM) <sup>(3)</sup>		±150	
Charge Device Model (CDM) <sup>(4)</sup>		±500	
<b>THERMAL RATINGS</b>			
Storage Temperature	$T_{STG}$	-40 to 150	°C
Ambient Operating Temperature	$T_A$	-40 to 85	°C
Operating Case Temperature <sup>(5)</sup>	$T_C$	-40 to 85	°C
Operating Junction Temperature <sup>(6)</sup>	$T_J$	-40 to 125	°C
Peak Package Reflow Temperature During Solder Mounting <sup>(7)</sup>	$T_{SOLDER}$	245	°C

**Notes**

- Transient capability for pulses with a time of  $t < 0.5$  sec.
- ESD voltage testing is performed in accordance with the Human Body Model ( $C_{ZAP} = 100$  pF,  $R_{ZAP} = 1500$   $\Omega$ )
- ESD voltage testing is performed in accordance with the Machine Model ( $C_{ZAP} = 200$  pF,  $R_{ZAP} = 0$   $\Omega$ )
- ESD voltage testing is performed in accordance with Charge Device Model, robotic ( $C_{ZAP} = 4.0$  pF).
- The limiting factor is junction temperature, taking into account the power dissipation, thermal resistance, and heat sinking.
- The temperature of analog and MCU die is strongly linked via the package, but can differ in dynamic load conditions, usually because of higher power dissipation on the analog die. The analog die temperature must not exceed 150°C under these conditions.
- Terminal soldering temperature is for 10 seconds maximum duration. Not designed for immersion soldering. Exceeding these limits may cause malfunction or permanent damage to the device.

[查询"MM908E625ACDWB"供应商](#)
**STATIC ELECTRICAL CHARACTERISTICS**
**Table 3. Static Electrical Characteristics**

All characteristics are for the analog chip only. Refer to the 68HC908EY16 specification for characteristics of the microcontroller chip. Characteristics noted under conditions  $9.0\text{ V} \leq V_{\text{SUP}} \leq 16\text{ V}$ ,  $-40^\circ\text{C} \leq T_{\text{J}} \leq 125^\circ\text{C}$  unless otherwise noted. Typical values noted reflect the approximate parameter mean at  $T_{\text{A}} = 25^\circ\text{C}$  under nominal conditions unless otherwise noted.

Characteristic	Symbol	Min	Typ	Max	Unit
<b>SUPPLY VOLTAGE</b>					
Nominal Operating Voltage	$V_{\text{SUP}}$	8.0	–	18	V
<b>SUPPLY CURRENT</b>					
NORMAL Mode $V_{\text{SUP}} = 12\text{ V}$ , Power Die ON (PSON=1), MCU Operating Using Internal Oscillator at 32 MHz (8.0 MHz Bus Frequency), SPI, ESCI, ADC Enabled	$I_{\text{RUN}}$	–	20	–	mA
STOP Mode <sup>(8)</sup> $V_{\text{SUP}} = 12\text{ V}$ , Cyclic Wake-Up Disabled	$I_{\text{STOP}}$	–	–	60	$\mu\text{A}$
<b>DIGITAL INTERFACE RATINGS (ANALOG DIE)</b>					
Output Terminals $\overline{\text{RST\_A}}$ , $\overline{\text{IRQ\_A}}$ Low-State Output Voltage ( $I_{\text{OUT}} = -1.5\text{ mA}$ ) High-State Output Voltage ( $I_{\text{OUT}} = 1.0\ \mu\text{A}$ )	$V_{\text{OL}}$ $V_{\text{OH}}$	– 3.85	– –	0.4 –	V
Output Terminals BEMF, RXD Low-State Output Voltage ( $I_{\text{OUT}} = -1.5\text{ mA}$ ) High-State Output Voltage ( $I_{\text{OUT}} = 1.5\text{ mA}$ )	$V_{\text{OL}}$ $V_{\text{OH}}$	– 3.85	– –	0.4 –	V
Output Terminal RXD–Capacitance <sup>(9)</sup>	$C_{\text{IN}}$	–	4.0	–	pF
Input Terminals $\overline{\text{RST\_A}}$ , FGEN, $\overline{\text{SS}}$ Input Logic Low Voltage Input Logic High Voltage	$V_{\text{IL}}$ $V_{\text{IH}}$	– 3.5	– –	1.5 –	V
Input Terminals $\overline{\text{RST\_A}}$ , FGEN, $\overline{\text{SS}}$ –Capacitance <sup>(9)</sup>	$C_{\text{IN}}$	–	4.0	–	pF
Terminals $\overline{\text{RST\_A}}$ , $\overline{\text{IRQ\_A}}$ –Pullup Resistor	$R_{\text{PULLUP1}}$	–	10	–	$\text{k}\Omega$
Terminal $\overline{\text{SS}}$ –Pullup Resistor	$R_{\text{PULLUP2}}$	–	60	–	$\text{k}\Omega$
Terminals FGEN, MOSI, SPSCCK–Pulldown Resistor	$R_{\text{PULLDOWN}}$	–	60	–	$\text{k}\Omega$
Terminal TXD–Pullup Current Source	$I_{\text{PULLUP}}$	–	35	–	$\mu\text{A}$

**Notes**

8. STOP mode current will increase if  $V_{\text{SUP}}$  exceeds 15 V.
9. This parameter is guaranteed by process monitoring but is not production tested.

[查询"MM908E625ACDWB"供应商](#)

**Table 3. Static Electrical Characteristics (continued)**

All characteristics are for the analog chip only. Refer to the 68HC908EY16 specification for characteristics of the microcontroller chip. Characteristics noted under conditions  $9.0\text{ V} \leq V_{\text{SUP}} \leq 16\text{ V}$ ,  $-40^\circ\text{C} \leq T_J \leq 125^\circ\text{C}$  unless otherwise noted. Typical values noted reflect the approximate parameter mean at  $T_A = 25^\circ\text{C}$  under nominal conditions unless otherwise noted.

Characteristic	Symbol	Min	Typ	Max	Unit
<b>SYSTEM RESETS AND INTERRUPTS</b>					
High-Voltage Reset					V
Threshold	$V_{\text{HVRON}}$	27	30	33	
Hysteresis	$V_{\text{HVRH}}$	–	1.5	–	
Low-Voltage Reset					V
Threshold	$V_{\text{LVRON}}$	3.6	4.0	4.5	
Hysteresis	$V_{\text{LVRH}}$	–	100	–	mV
High-Voltage Interrupt					V
Threshold	$V_{\text{HVION}}$	17.5	21	23	
Hysteresis	$V_{\text{HVIH}}$	–	1.0	–	
Low-Voltage Interrupt					V
Threshold	$V_{\text{LVION}}$	6.5	–	8.0	
Hysteresis	$V_{\text{LVIH}}$	–	0.4	–	
High-Temperature Reset <sup>(10)</sup>					°C
Threshold	$T_{\text{RON}}$	–	170	–	
Hysteresis	$T_{\text{RH}}$	5.0	–	–	
High-Temperature Interrupt <sup>(11)</sup>					°C
Threshold	$T_{\text{ION}}$	–	160	–	
Hysteresis	$T_{\text{IH}}$	5.0	–	–	

**VOLTAGE REGULATOR**

Normal Mode Output Voltage $I_{\text{OUT}} = 60\text{ mA}$ , $6.0\text{ V} < V_{\text{SUP}} < 18\text{ V}$	$V_{\text{DDRUN}}$	4.75	5.0	5.25	V
Load Regulation $I_{\text{OUT}} = 80\text{ mA}$ , $V_{\text{SUP}} = 9.0\text{ V}$ , $T_J = 125^\circ\text{C}$	$V_{\text{LR}}$	–	–	100	mV
STOP Mode Output Voltage (Maximum Output Current 100 $\mu\text{A}$ )	$V_{\text{DDSTOP}}$	4.5	4.7	4.9	V

**LIN PHYSICAL LAYER**

Output Low Level TXD LOW, 500 $\Omega$ Pullup to $V_{\text{SUP}}$	$V_{\text{LIN-LOW}}$	–	–	1.4	V
Output High Level TXD HIGH, $I_{\text{OUT}} = 1.0\ \mu\text{A}$	$V_{\text{LIN-HIGH}}$	$V_{\text{SUP}} - 1.0$	–	–	V
Pullup Resistor to $V_{\text{SUP}}$	$R_{\text{SLAVE}}$	20	30	60	k $\Omega$
Leakage Current to GND Recessive State ( $-0.5\text{ V} < V_{\text{LIN}} < V_{\text{SUP}}$ )	$I_{\text{BUS\_PAS\_rec}}$	0.0	–	20	$\mu\text{A}$
Leakage Current to GND ( $V_{\text{SUP}}$ Disconnected) Including Internal Pullup Resistor, $V_{\text{LIN}} @ -18\text{ V}$ Including Internal Pullup Resistor, $V_{\text{LIN}} @ +18\text{ V}$	$I_{\text{BUS\_NO\_GND}}$ $I_{\text{BUS}}$	– –	-600 25	– –	$\mu\text{A}$

Notes

- 10. This parameter is guaranteed by process monitoring but is not production tested.
- 11. High-Temperature Interrupt (HTI) threshold is linked to High-Temperature Reset (HTR) threshold ( $\text{HTR} = \text{HTI} + 10^\circ\text{C}$ ).



[查询"MM908E625ACDWB"供应商](#)

**Table 3. Static Electrical Characteristics (continued)**

All characteristics are for the analog chip only. Refer to the 68HC908EY16 specification for characteristics of the microcontroller chip. Characteristics noted under conditions  $9.0\text{ V} \leq V_{\text{SUP}} \leq 16\text{ V}$ ,  $-40^\circ\text{C} \leq T_J \leq 125^\circ\text{C}$  unless otherwise noted. Typical values noted reflect the approximate parameter mean at  $T_A = 25^\circ\text{C}$  under nominal conditions unless otherwise noted.

Characteristic	Symbol	Min	Typ	Max	Unit
LIN Receiver					V
Recessive	$V_{\text{IH}}$	$0.6 V_{\text{LIN}}$	–	$V_{\text{SUP}}$	
Dominant	$V_{\text{IL}}$	0.0	–	$0.4 V_{\text{LIN}}$	
Threshold	$V_{\text{ITH}}$	–	$V_{\text{SUP}}/2$	–	
Input Hysteresis	$V_{\text{IHY}}$	$0.01 V_{\text{SUP}}$	–	$0.1 V_{\text{SUP}}$	
LIN Wake-Up Threshold	$V_{\text{WTH}}$	–	$V_{\text{SUP}}/2$	–	V

**HIGH-SIDE OUTPUT (HS)**

Switch ON Resistance @ $T_J = 25^\circ\text{C}$ with $I_{\text{LOAD}} = 1.0\text{ A}$	$R_{\text{DS(ON)HS}}$	–	600	700	m $\Omega$
High-Side Overcurrent Shutdown	$I_{\text{HSOC}}$	3.9	–	7.0	A

**HALF-BRIDGE OUTPUTS (HB1:HB4)**

Switch ON Resistance @ $T_J = 25^\circ\text{C}$ with $I_{\text{LOAD}} = 1.0\text{ A}$					m $\Omega$
High Side	$R_{\text{DS(ON)HB_HS}}$	–	425	500	
Low Side	$R_{\text{DS(ON)HB_LS}}$	–	400	500	
High-Side Overcurrent Shutdown	$I_{\text{HBHSOC}}$	4.0	–	7.5	A
Low-Side Overcurrent Shutdown	$I_{\text{HBSOC}}$	2.8	–	7.5	A
Low-Side Current Limitation @ $T_J = 25^\circ\text{C}$					mA
Current Limit 1 (CLS2 = 0, CLS1 = 1, CLS0 = 1)	$I_{\text{CL1}}$	–	55	–	
Current Limit 2 (CLS2 = 1, CLS1 = 0, CLS0 = 0)	$I_{\text{CL2}}$	210	260	315	
Current Limit 3 (CLS2 = 1, CLS1 = 0, CLS0 = 1)	$I_{\text{CL3}}$	300	370	440	
Current Limit 4 (CLS2 = 1, CLS1 = 1, CLS0 = 0)	$I_{\text{CL4}}$	450	550	650	
Current Limit 5 (CLS2 = 1, CLS1 = 1, CLS0 = 1)	$I_{\text{CL5}}$	600	740	880	
Half-Bridge Output HIGH Threshold for BEMF Detection	$V_{\text{BEMFH}}$	–	-30	0	V
Half-Bridge Output LOW Threshold for BEMF Detection	$V_{\text{BEMFL}}$	–	-60	-5.0	mV
Hysteresis for BEMF Detection	$V_{\text{BEMFHY}}$	–	30	–	mV
Low-Side Current-to-Voltage Ratio ( $V_{\text{ADOUT}} [\text{V}]/I_{\text{HB}} [\text{A}]$ )					V/A
CSA = 1	$\text{RATIO}_H$	7.0	12.0	14.0	
CSA = 0	$\text{RATIO}_L$	1.0	2.0	3.0	

**SWITCHABLE  $V_{\text{DD}}$  OUTPUT (PH.D.)**

Overcurrent Shutdown Threshold	$I_{\text{HVDDOCT}}$	24	30	40	mA
--------------------------------	----------------------	----	----	----	----

**$V_{\text{SUP}}$  DOWN-SCALER**

Voltage Ratio ( $\text{RATIO}_{V_{\text{SUP}}} = V_{\text{SUP}}/V_{\text{ADOUT}}$ )	$\text{RATIO}_{V_{\text{SUP}}}$	4.8	5.1	5.35	–
---	---------------------------------	-----	-----	------	---

**INTERNAL DIE TEMPERATURE SENSOR**

Voltage/Temperature Slope	$S_{\text{TtoV}}$	–	19	–	mV/ $^\circ\text{C}$
Output Voltage @ $25^\circ\text{C}$	$V_{\text{T25}}$	1.7	2.1	2.5	V

**HALL-EFFECT SENSOR INPUTS (H1:H3)**

Output Voltage					V
$V_{\text{SUP}} < 16.2\text{ V}$	$V_{\text{HALL1}}$	–	$V_{\text{SUP}} - 1.2$	–	
$V_{\text{SUP}} > 16.2\text{ V}$	$V_{\text{HALL2}}$	–	–	15	

[查询"MM908E625ACDWB"供应商](#)

**Table 3. Static Electrical Characteristics (continued)**

All characteristics are for the analog chip only. Refer to the 68HC908EY16 specification for characteristics of the microcontroller chip. Characteristics noted under conditions  $9.0\text{ V} \leq V_{\text{SUP}} \leq 16\text{ V}$ ,  $-40^\circ\text{C} \leq T_J \leq 125^\circ\text{C}$  unless otherwise noted. Typical values noted reflect the approximate parameter mean at  $T_A = 25^\circ\text{C}$  under nominal conditions unless otherwise noted.

Characteristic	Symbol	Min	Typ	Max	Unit
Sense Current Threshold	$I_{\text{HSCT}}$	6.9	8.8	11	mA
Sense Current Hysteresis	$I_{\text{HSCH}}$	–	0.88	–	
Output Current Limitation	$I_{\text{HL}}$	–	90	–	mA
Overcurrent Warning HP_OCF Flag Threshold]	$V_{\text{HPOCT}}$	–	3.0	–	V
Dropout Voltage @ $I_{\text{LOAD}} = 15\text{ mA}$	$V_{\text{HPDO}}$	–	0.5	–	V

**ANALOG INPUT (PA1)**

Current Source PA1 CSSEL1 = 1, CSSEL0 = 1	$I_{\text{CSPA1}}$	570	670	770	$\mu\text{A}$
Selectable Scaling Factor Current Source PA1 ( $I(N) = I_{\text{CSPA1}} * N$ )					%
CSSEL1 = 0, CSSEL0 = 0	$N_{\text{CSPA1-0}}$	8.5	10	11.5	
CSSEL1 = 0, CSSEL0 = 1	$N_{\text{CSPA1-1}}$	28.5	30	31.5	
CSSEL1 = 1, CSSEL0 = 0	$N_{\text{CSPA1-2}}$	58.5	60	61.5	

[查询"MM908E625ACDWB"供应商](#)**DYNAMIC ELECTRICAL CHARACTERISTICS****Table 4. Dynamic Electrical Characteristics**

All characteristics are for the analog chip only. Please refer to the specification for 68HC908EY16 for characteristics of the microcontroller chip. Characteristics noted under conditions  $9.0\text{ V} \leq V_{\text{SUP}} \leq 16\text{ V}$ ,  $-40^\circ\text{C} \leq T_J \leq 125^\circ\text{C}$  unless otherwise noted. Typical values noted reflect the approximate parameter mean at  $T_A = 25^\circ\text{C}$  under nominal conditions unless otherwise noted.

Characteristic	Symbol	Min	Typ	Max	Unit
<b>LIN PHYSICAL LAYER</b>					
Propagation Delay <sup>(12), (13)</sup>					$\mu\text{s}$
TXD LOW to LIN LOW	$t_{\text{TXD-LIN-low}}$	–	–	6.0	
TXD HIGH to LIN HIGH	$t_{\text{TXD-LIN-high}}$	–	–	6.0	
LIN LOW to RXD LOW	$t_{\text{LIN-RXD-low}}$	–	4.0	8.0	
LIN HIGH to RXD HIGH	$t_{\text{LIN-RXD-high}}$	–	4.0	8.0	
TXD Symmetry	$t_{\text{TXD-SYM}}$	-2.0	–	2.0	
RXD Symmetry	$t_{\text{RXD-SYM}}$	-2.0	–	2.0	
Output Falling Edge Slew Rate <sup>(12), (14)</sup> 80% to 20%	$\text{SR}_F$	-1.0	-2.0	-3.0	$\text{V}/\mu\text{s}$
Output Rising Edge Slew Rate <sup>(12), (14)</sup> 20% to 80%, $R_{\text{BUS}} > 1.0\text{ k}\Omega$ , $C_{\text{BUS}} < 10\text{ nF}$	$\text{SR}_R$	1.0	2.0	3.0	$\text{V}/\mu\text{s}$
LIN Rise/Fall Slew Rate Symmetry <sup>(12), (14)</sup>	$\text{SR}_S$	-2.0	–	2.0	$\mu\text{s}$
<b>HALL-EFFECT SENSOR INPUTS (H1:H3)</b>					
Propagation Delay	$t_{\text{HPPD}}$	–	1.0	–	$\mu\text{s}$
<b>AUTONOMOUS WATCHDOG (AWD)</b>					
AWD Oscillator Period	$t_{\text{OSC}}$	–	40	–	$\mu\text{s}$
AWD Period Low = 512 $t_{\text{OSC}}$	$t_{\text{AWDPH}}$	16	22	28	ms
AWD Period High = 256 $t_{\text{OSC}}$	$t_{\text{AWDPL}}$	8.0	11	14	ms
AWD Cyclic Wake-Up On Time	$t_{\text{AWDHPO}}N$	–	90	–	$\mu\text{s}$

## Notes

12. All LIN characteristics are for initial LIN slew rate selection (20 kBaud) (SRS0:SRS1= 00).
13. See [Figure 2](#).
14. See [Figure 3](#).

[查询"MM908E625ACDWB"供应商](#)

## MICROCONTROLLER PARAMETRICS

**Table 5. Microcontroller Description**

For a detailed microcontroller description, refer to the MC68HC908EY16 data sheet.

Module	Description
Core	High-Performance HC08 Core with a Maximum Internal Bus Frequency of 8.0 MHz
Timer	Two 16-Bit Timers with Two Channels (TIM A and TIM B)
Flash	16 K Bytes
RAM	512 Bytes
ADC	10-Bit Analog-to-Digital Converter
SPI	SPI Module
ESCI	Standard Serial Communication Interface (SCI) Module Bit-Time Measurement Arbitration Prescaler with Fine Baud-Rate Adjustment
ICG	Internal Clock Generation Module (25% Accuracy with Trim Capability to 2%)
BEMF Counter	Special Counter for <i>SMARTMOS</i> <sup>™</sup> BEMF Output

[查询"MM908E625ACDWB"供应商](#)

## TIMING DIAGRAMS

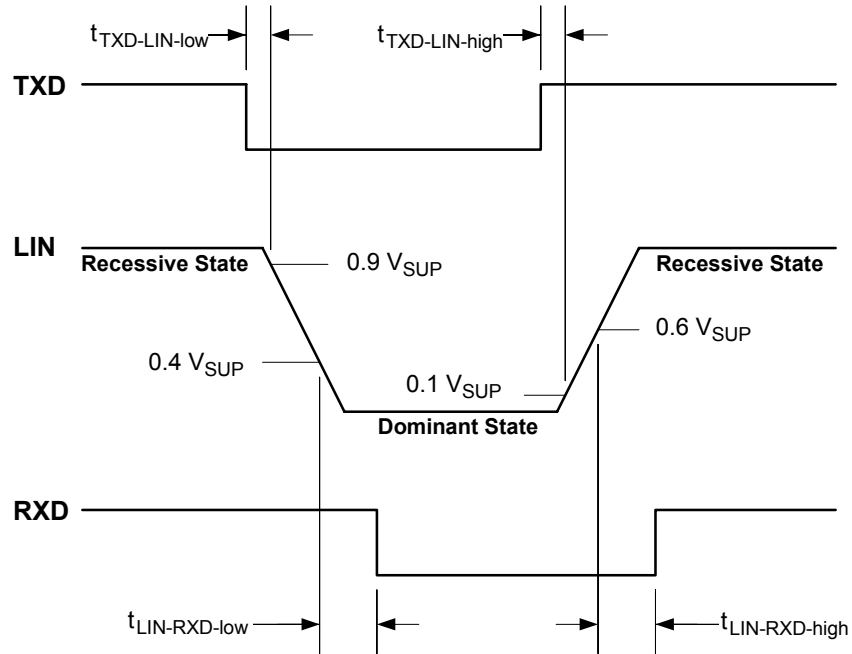
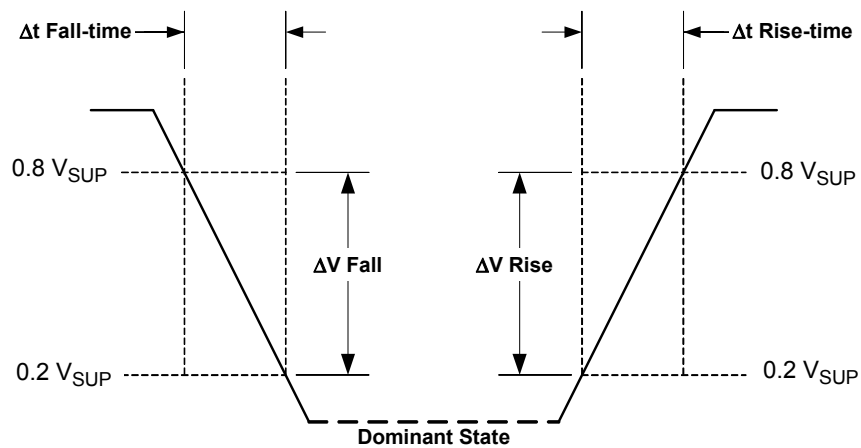


Figure 4. LIN Timing Description



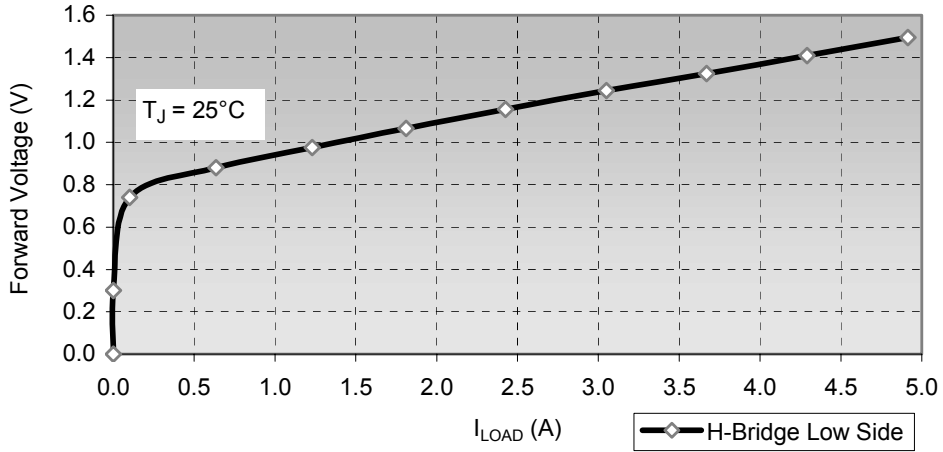
$$SR_F = \frac{\Delta V \text{ Fall}}{\Delta t \text{ Fall-time}}$$

$$SR_R = \frac{\Delta V \text{ Rise}}{\Delta t \text{ Rise-time}}$$

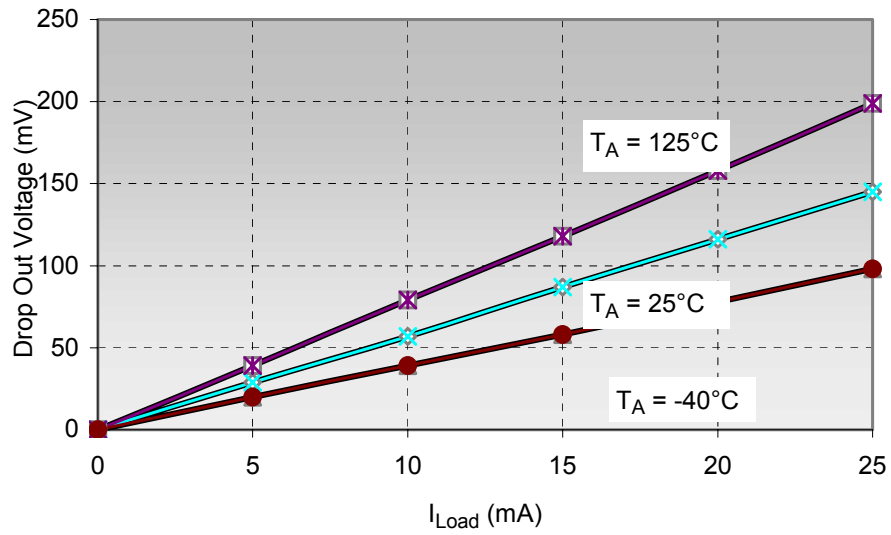
Figure 5. LIN Slew Rate Description

[查询"MM908E625ACDWB"供应商](#)

**ELECTRICAL PERFORMANCE CURVES**



**Figure 6. Free Wheel Diode Forward Voltage vs I<sub>LOAD</sub>**



**Figure 7. Dropout Voltage on HVDD vs I<sub>LOAD</sub>**

[查询"MM908E625ACDWB"供应商](#)

## FUNCTIONAL DESCRIPTION

### INTRODUCTION

The 908E625 device was designed and developed as a highly integrated and cost-effective solution for automotive and industrial applications. For automotive body electronics, the 908E625 is well suited to perform complete mirror, door lock, and light-levelling control all via a three-wire LIN bus.

This device combines an standard HC08 MCU core (68HC908EY16) with flash memory together with a SMARTMOS™ IC chip. The SMARTMOS™ IC chip combines power and control in one chip. Power switches are provided on the SMARTMOS™ IC configured as half-bridge

outputs with one high-side switch. Other ports are also provided; they include Hall-effect sensor input ports, analog input ports, and a selectable HVDD terminal. An internal voltage regulator is provided on the SMARTMOS™ IC chip, which provides power to the MCU chip.

Also included in this device is a LIN physical layer, which communicates using a single wire. This enables the device to be compatible with three-wire bus systems, where one wire is used for communication, one for battery, and the third for ground.

### FUNCTIONAL TERMINAL DESCRIPTION

See [Figure 1](#) for a graphic representation of the various terminals referred to in the following paragraphs. Also, see the terminal diagram on [Figure 3](#) for a depiction of the terminal locations on the package.

#### PORT A I/O TERMINALS (PTA0:4)

These terminals are special-function, bidirectional I/O port terminals that are shared with other functional modules in the MCU. PTA0:PTA4 are shared with the keyboard interrupt terminals, KBD0:KBD4.

The PTA5/SPSCK terminal is not accessible in this device and is internally connected to the SPI clock terminal of the analog die. The PTA6/SS terminal is likewise not accessible.

For details refer to the 68HC908EY16 datasheet.

#### PORT B I/O TERMINALS (PTB1, PTB3:7)

These terminals are special-function, bidirectional I/O port terminals that are shared with other functional modules in the MCU. All terminals are shared with the ADC module. The PTB6:PTB7 terminals are also shared with the Timer B module.

PTB0/AD0 is internally connected to the ADOUT terminal of the analog die, allowing diagnostic measurements to be calculated; e.g., current recopy,  $V_{SUP}$ , etc. The PTB2/AD2 terminal is not accessible in this device.

For details refer to the 68HC908EY16 datasheet.

#### PORT C I/O TERMINALS (PTC2:4)

These terminals are special-function, bidirectional I/O port terminals that are shared with other functional modules in the MCU. For example, PTC2:PTC4 are shared with the ICG module.

PTC0/MISO and PTC1/MOSI are not accessible in this device and are internally connected to the MISO and MOSI SPI terminals of the analog die.

For details refer to the 68HC908EY16 datasheet.

#### PORT D I/O TERMINALS (PTD0:1)

PTD1/TACH1 and PTD0/TACH0/BEMF are special-function, bidirectional I/O port terminals that can also be programmed to be timer terminals.

In step motor applications the PTD0 terminal should be connected to the BEMF output of the analog die in order to evaluate the BEMF signal with a special BEMF module of the MCU.

PTD1 terminal is recommended for use as an output terminal for generating the FGEN signal (PWM signal) if required by the application.

#### PORT E I/O TERMINAL (PTE1)

PTE1/RXD and PTE0/TXD are special-function, bidirectional I/O port terminals that can also be programmed to be enhanced serial communication.

PTE0/TXD is internally connected to the TXD terminal of the analog die. The connection for the receiver must be done externally.

#### EXTERNAL INTERRUPT TERMINAL ( $\overline{\text{IRQ}}$ )

The  $\overline{\text{IRQ}}$  terminal is an asynchronous external interrupt terminal. This terminal contains an internal pull-up resistor that is always activated, even when the  $\overline{\text{IRQ}}$  terminal is pulled LOW.

For details refer to the 68HC908EY16 datasheet.

#### EXTERNAL RESET TERMINAL ( $\overline{\text{RST}}$ )

A Logic [0] on the  $\overline{\text{RST}}$  terminal forces the MCU to a known startup state.  $\overline{\text{RST}}$  is bidirectional, allowing a reset of the entire system. It is driven LOW when any internal reset source is asserted.

This terminal contains an internal pull-up resistor that is always activated, even when the reset terminal is pulled LOW.

For details refer to the 68HC908EY16 datasheet.

## 查询"MM908E625ACDWB"供应商

### CURRENT LIMITATION FREQUENCY INPUT TERMINAL (FGEN)

Input terminal for the half-bridge current limitation and the high-side inrush current limiter PWM frequency. This input is not a real PWM input terminal; it should just supply the period of the PWM. The duty cycle will be generate automatically.

**Important** The recommended FGEN frequency should be in the range of 0.1 kHz to 20 kHz.

### BACK ELECTROMAGNETIC FORCE OUTPUT TERMINAL (BEMF)

This terminal gives the user information about back electromagnetic force (BEMF). This feature is mainly used in step motor applications for detecting a stalled motor. In order to evaluate this signal the terminal must be directly connected to terminal PTD0/TACH0/BEMF.

### RESET TERMINAL ( $\overline{\text{RST\_A}}$ )

$\overline{\text{RST\_A}}$  is the bidirectional reset terminal of the analog die. It is an open drain with pull-up resistor and must be connected to the  $\overline{\text{RST}}$  terminal of the MCU.

### INTERRUPT TERMINAL ( $\overline{\text{IRQ\_A}}$ )

$\overline{\text{IRQ\_A}}$  is the interrupt output terminal of the analog die indicating errors or wake-up events. It is an open drain with pull-up resistor and must be connected to the  $\overline{\text{IRQ}}$  terminal of the MCU.

### SLAVE SELECT TERMINAL ( $\overline{\text{SS}}$ )

This terminal is the SPI Slave Select terminal for the analog chip. All other SPI connections are done internally.  $\overline{\text{SS}}$  must be connected to PTB1 or any other logic I/O of the microcontroller.

### LIN BUS TERMINAL (LIN)

The LIN terminal represents the single-wire bus transmitter and receiver. It is suited for automotive bus systems and is based on the LIN bus specification.

### HALF-BRIDGE OUTPUT TERMINALS (HB1:HB4)

The 908E625 device includes power MOSFETs configured as four half-bridge driver outputs. The HB1:HB4 outputs may be configured for step motor drivers, DC motor drivers, or as high-side and low-side switches.

The HB1:HB4 outputs are short-circuit and overtemperature protected, and they feature current recopy, current limitation, and BEMF generation. Current limitation and recopy are done on the low-side MOSFETs.

### POWER SUPPLY TERMINALS (VSUP1:VSUP3)

VSUP1:VSUP3 are device power supply terminals. The nominal input voltage is designed for operation from 12 V systems. Owing to the low ON-resistance and current

requirements of the half-bridge driver outputs and high-side output driver, multiple VSUP terminals are provided.

All VSUP terminals must be connected to get full chip functionality.

### POWER GROUND TERMINALS (GND1 AND GND2)

GND1 and GND2 are device power ground connections. Owing to the low ON-resistance and current requirements of the half-bridge driver outputs and high-side output driver, multiple terminals are provided.

GND1 and GND2 terminals must be connected to get full chip functionality.

### HIGH-SIDE OUTPUT TERMINAL (HS)

The HS output terminal is a low  $R_{\text{DS(ON)}}$  high-side switch. The switch is protected against overtemperature and overcurrent. The output is capable of limiting the inrush current with an automatic PWM generation using the FGEN module.

### SWITCHABLE VDD OUTPUT TERMINAL (HVDD)

The HVDD terminal is a switchable  $V_{\text{DD}}$  output for driving resistive loads requiring a regulated 5.0 V supply; e.g., 3-terminal Hall-effect sensors. The output is short-circuit protected.

### HALL-EFFECT SENSOR INPUT TERMINALS (H1:H3)

The Hall-effect sensor input terminals H1:H3 provide inputs for Hall-effect sensors and switches.

### +5.0 V VOLTAGE REGULATOR OUTPUT TERMINAL (VDD)

The VDD terminal is needed to place an external capacitor to stabilize the regulated output voltage. The VDD terminal is intended to supply the embedded microcontroller.

**Important** The VDD terminal should not be used to supply other loads; use the HVDD terminal for this purpose. The VDD, EVDD, VDDA, and VREFH terminals must be connected together.

### ANALOG INPUT TERMINAL (PA1)

This terminal is an analog input port with selectable current source values.

### VOLTAGE REGULATOR GROUND TERMINAL (VSS)

The VSS terminal is the ground terminal for the connection of all non-power ground connections (microcontroller and sensors).

**Important** VSS, EVSS, VSSA, and VREFL terminals must be connected together.



[查询"MM908E625ACDWB"供应商](#)**LIN TRANSCEIVER OUTPUT TERMINAL (RXD)**

This terminal is the output of LIN transceiver. The terminal must be connected to the microcontroller's Enhanced Serial Communications Interface (ESCI) module (RXD terminal).

**ADC REFERENCE TERMINALS  
(VREFL AND VREFH)**

VREFL and VREFH are the reference voltage terminals for the ADC. It is recommended that a high-quality ceramic decoupling capacitor be placed between these terminals.

**Important** VREFH is the high reference supply for the ADC and should be tied to the same potential as VDDA via separate traces. VREFL is the low reference supply for the ADC and should be tied to the same potential as VSS via separate traces.

For details refer to the 68HC908EY16 datasheet.

**ADC SUPPLY TERMINALS (VDDA AND VSSA)**

VDDA and VSSA are the power supply terminals for the analog-to-digital converter (ADC). It is recommended that a high-quality ceramic decoupling capacitor be placed between these terminals.

**Important** VDDA is the supply for the ADC and should be tied to the same potential as EVDD via separate traces.

VSSA is the ground terminal for the ADC and should be tied to the same potential as EVSS via separate traces.

For details refer to the 68HC908EY16 datasheet.

**MCU POWER SUPPLY TERMINALS  
(EVDD AND EVSS)**

EVDD and EVSS are the power supply and ground terminals. The MCU operates from a single power supply.

Fast signal transitions on MCU terminals place high, short-duration current demands on the power supply. To prevent noise problems, take special care to provide power supply bypassing at the MCU.

For details refer to the 68HC908EY16 datasheet.

**TEST TERMINAL (FLSVPP)**

This terminal is for test purposes only. This terminal should be either left open (not connected) or connected to GND.

**EXPOSED PAD TERMINAL**

The exposed pad terminal on the bottom side of the package conducts heat from the chip to the PCB board. For thermal performance the pad must be soldered to the PCB board. It is recommended that the pad be connected to the ground potential.

## FUNCTIONAL DEVICE OPERATION

### OPERATIONAL MODES

#### INTERRUPTS

The 908E625 has seven different interrupt sources as described in the following paragraphs. The interrupts can be disabled or enabled via the SPI. After reset all interrupts are automatically disabled.

#### LOW-VOLTAGE INTERRUPT

The Low-Voltage Interrupt (LVI) is related to the external supply voltage,  $V_{SUP}$ . If this voltage falls below the LVI threshold, it will set the LVI flag. If the low-voltage interrupt is enabled, an interrupt will be initiated.

With LVI the H-Bridges (high-side MOSFET only) and the high-side driver are switched off. All other modules are not influenced by this interrupt.

During STOP mode the LVI circuitry is disabled.

#### HIGH-VOLTAGE INTERRUPT

The High-Voltage Interrupt (HVI) is related to the external supply voltage,  $V_{SUP}$ . If this voltage rises above the HVI threshold, it will set the HVI flag. If the High-Voltage Interrupt is enabled, an interrupt will be initiated.

With HVI the H-Bridges (high-side MOSFET only) and the high-side driver are switched off. All other modules are not influenced by this interrupt.

During STOP mode the HVI circuitry is disabled.

#### HIGH-TEMPERATURE INTERRUPT

The High-Temperature Interrupt (HTI) is generated by the on-chip temperature sensors. If the chip temperature is above the HTI threshold, the HTI flag will be set. If the High-Temperature Interrupt is enabled, an interrupt will be initiated.

During STOP mode the HTI circuitry is disabled.

#### AUTONOMOUS WATCHDOG INTERRUPT (AWD)

Refer to Autonomous Watchdog [Autonomous Watchdog \(AWD\)](#).

#### LIN INTERRUPT

If the LINIE bit is set, a falling edge on the LIN terminal will generate an interrupt. During STOP mode this interrupt will initiate a system wake-up.

#### HALL-EFFECT SENSOR INPUT TERMINAL INTERRUPT

If the PHIE bit is set, the enabled Hall-Effect Sensor input terminals H1:H3 can generate an interrupt if a current above the threshold is detected. During STOP mode this interrupt, combined with the cyclic wake-up feature of the AWD, can wake up the system. Refer to terminal [Hall-Effect Sensor Input Terminals \(H1:H3\)](#).

#### OVERCURRENT INTERRUPT

If an overcurrent condition on a half-bridge occurs, the high-side or the HVDD output is detected and the OCIE bit is set and an interrupt generated.

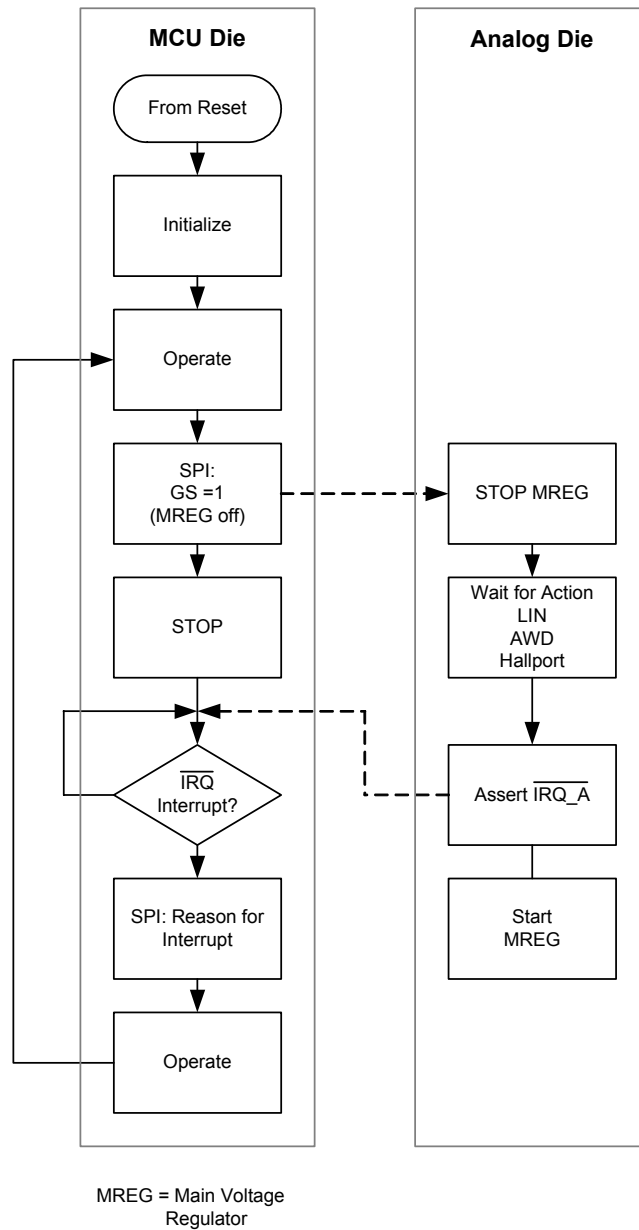
#### SYSTEM WAKE-UP

System wake-up can be initiated by any of four events:

- A falling edge on the LIN terminal
- A wake-up signal from the AWD
- A Logic [1] at Hall-effect sensor input terminal during cyclic check via AWD
- An LVR condition

If one of these wake-up events occurs and the interrupt mask bit for this event is set, the interrupt will wake-up the microcontroller as well as the main voltage regulator (MREG) ([Figure 8](#)).

[查询"MM908E625ACDWB"供应商](#)



**Figure 8. STOP Mode/Wake-Up Procedure**

查询"MM908E625ACDWB"供应商

**SERIAL SPI INTERFACE**

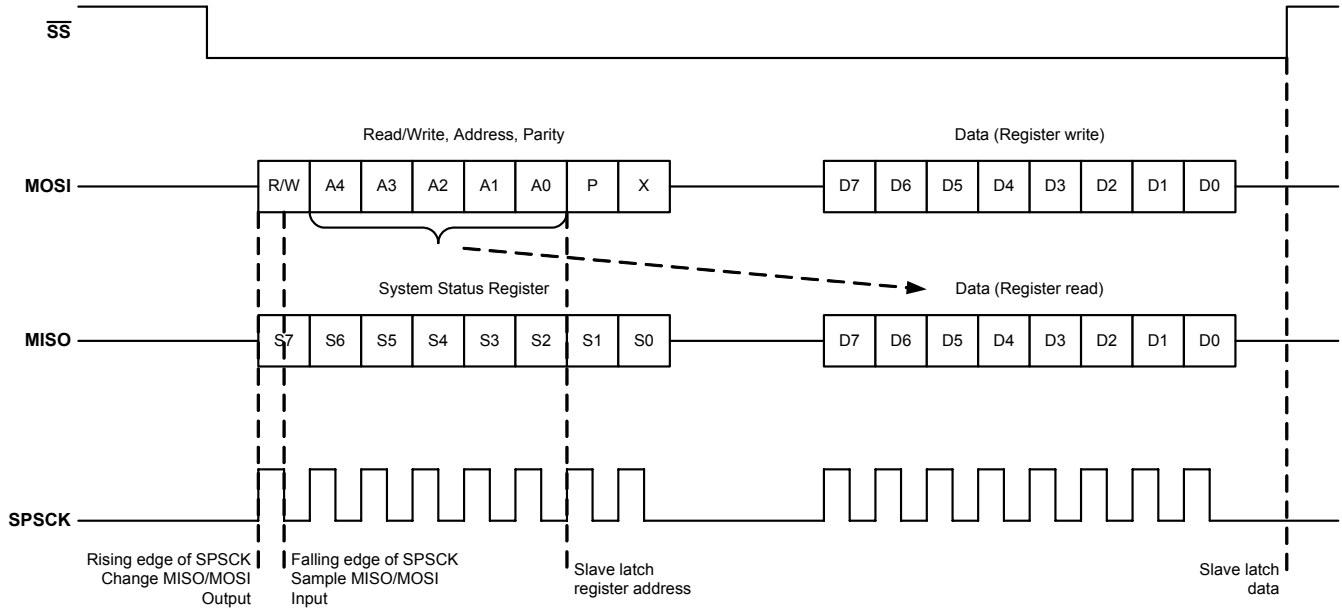
The SPI creates the communication link between the microcontroller and the 908E625.

The interface consists of four terminals. See [Figure 9](#):

- $\overline{SS}$ —Slave Select
- MOSI—Master-Out Slave-In

- MISO—Master-In Slave-Out
- SPSCK—Serial Clock

A complete data transfer via the SPI consists of 2 bytes. The master sends address and data, slave system status, and data of the selected address.



**Figure 9. SPI Protocol**

During the inactive phase of  $\overline{SS}$ , the new data transfer is prepared. The falling edge on the  $\overline{SS}$  line indicates the start of a new data transfer and puts MISO in the low-impedance mode. The first valid data are moved to MISO with the rising edge of SPSCK.

The MISO output changes data on a rising edge of SPSCK. The MOSI input is sampled on a falling edge of SPSCK. The data transfer is only valid if exactly 16 sample clock edges are present in the active phase of  $\overline{SS}$ .

After a write operation, the transmitted data is latched into the register by the rising edge of  $\overline{SS}$ . Register read data is internally latched into the SPI at the time when the parity bit is transferred.  $\overline{SS}$  HIGH forces MISO to high impedance.

**A4:A0**

Contains the address of the desired register.

**R/ $\overline{W}$**

Contains information about a read or a write operation.

- If  $R/\overline{W} = 1$ , the second byte of master contains no valid information, slave just transmits back register data.
- If  $R/\overline{W} = 0$ , the master sends data to be written in the second byte, slave sends concurrently contents of

selected register prior to write operation, write data is latched in the *SMARTMOS*<sup>™</sup> register on rising edge of  $\overline{SS}$ .

**PARITY P**

The parity bit is equal to 0 if the number of 1 bits is an even number contained within R/ $\overline{W}$ , A4:A0. If the number of 1 bits is odd, P equals 1. For example, if  $R/\overline{W} = 1$ , A4:A0 = 00001, then P equals 0.

The parity bit is only evaluated during a write operation.

**BIT X**

Not used.

**MASTER DATA BYTE**

Contains data to be written or no valid data during a read operation.

**SLAVE STATUS BYTE**

Contains the contents of the System Status Register (\$0c) independent of whether it is a write or read operation or which register was selected.

[查询"MM908E625ACDWB"供应商](#)

**SLAVE DATA BYTE**

Contains the contents of selected register. During a write operation it includes the register content prior to a write operation.

**SPI REGISTER OVERVIEW**

[Table 6](#) summarizes the SPI register addresses and the bit names of each register.

**Table 6. List of Registers**

Addr	Register Name	R/W	Bit							
			7	6	5	4	3	2	1	0
\$01	H-Bridge Output (HBOUT)	R	HB4_H	HB4_L	HB3_H	HB3_L	HB2_H	HB2_L	HB1_H	HB1_L
		W								
\$02	H-Bridge Control (HBCTL)	R	OFC_EN	CSA	0	0	0	CLS2	CLS1	CLS0
		W								
\$03	System Control (SYSCTL)	R	PSON	SRS1	SRS0	0	0	0	0	0
		W								GS
\$04	Interrupt Mask (IMR)	R	0	HPIE	LINIE	HTIE	LVIE	HVIE	OCIE	0
		W								
\$05	Interrupt Flag (IFR)	R	0	HPF	LINF	HTF	LVF	HVF	OCF	0
		W								
\$06	Reset Mask (RMR)	R	TTEST	0	0	0	0	0	HVRE	HTRE
		W								
\$07	Analog Multiplexer Configuration (ADMUX)	R	0	0	0	0	SS3	SS2	SS1	SS0
		W								
\$08	Hall-Effect Sensor Input Terminal Control (HACTL)	R	0	0	0	0	0	H3EN	H2EN	H1EN
		W								
\$09	Hall-Effect Sensor Input Terminal Status (HASTAT)	R	0	0	0	0	0	H3F	H2F	H1F
		W								
\$0a	AWD Control (AWDCTL)	R	0	0	0	AWDRE	AWDIE	AWDCC	AWDF	AWDR
		W			AWDRST					
\$0b	Power Output (POUT)	R	0	0	CSSEL1	CSSEL0	CSEN1	CSEN0	HVDDON	HS_ON
		W								
\$0c	System Status (SYSSTAT)	R	HP_OCF	LINCL	HVDD_OC F	HS_OCF	LVF	HVF	HB_OCF	HTF
		W								

[查询"MM908E625ACDWB"供应商](#)

**LOGIC COMMANDS AND REGISTERS**

**INTERRUPT FLAG REGISTER (IFR)**

Register Name and Address: IFR - \$05

Bits	7	6	5	4	3	2	1	0
Read	0	HPF	LINF	HTF	LVF	HVF	OCF	0
Write								
Reset	0	0	0	0	0	0	0	0

**Hall-Effect Sensor Input Terminal Flag Bit (HPF)**

This read/write flag is set depending on RUN/STOP mode.

**RUN Mode**

An interrupt will be generated when a state change on any enabled Hall-effect sensor input terminal is detected. Clear HPF by writing a Logic [1] to HPF. Reset clears the HPF bit. Writing a Logic [0] to HPF has no effect.

- 1 = State change on the hallflags detected
- 0 = No state change on the hallflags detected

**STOP Mode**

An interrupt will be generated when AWDCC is set and a current above the threshold is detected on any enabled Hall-effect sensor input terminal. Clear HPF by writing a Logic [1] to HPF. Reset clears the HPF bit. Writing a Logic [0] to HPF has no effect.

- 1 = One or more of the selected Hall-effect sensor input terminals had been pulled HIGH
- 0 = None of the selected Hall-effect sensor input terminals has been pulled HIGH

**LIN Flag Bit (LINF)**

This read/write flag is set on the falling edge at the LIN data line. Clear LINF by writing a Logic [1] to LINF. Reset clears the LINF bit. Writing a Logic [0] to LINF has no effect.

- 1 = Falling edge on LIN data line has occurred
- 0 = Falling edge on LIN data line has not occurred since last clear

**High-Temperature Flag Bit (HTF)**

This read/write flag is set on a high-temperature condition. Clear HTF by writing a Logic [1] to HTF. If a high-temperature

condition is still present while writing a Logic [1] to HTF, the writing has no effect. Therefore, a high-temperature interrupt cannot be lost due to inadvertent clearing of HTF. Reset clears the HTF bit. Writing a Logic [0] to HTF has no effect.

- 1 = High-temperature condition has occurred
- 0 = High-temperature condition has not occurred

**Low-Voltage Flag Bit (LVF)**

This read/write flag is set on a low-voltage condition. Clear LVF by writing a Logic [1] to LVF. If a low-voltage condition is still present while writing a Logic [1] to LVF, the writing has no effect. Therefore, a low-voltage interrupt cannot be lost due to inadvertent clearing of LVF. Reset clears the LVF bit. Writing a Logic [0] to LVF has no effect.

- 1 = Low-voltage condition has occurred
- 0 = Low-voltage condition has not occurred

**High-Voltage Flag Bit (HVF)**

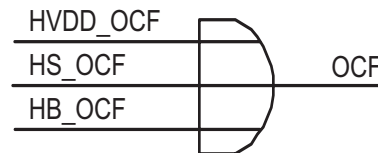
This read/write flag is set on a high-voltage condition. Clear HVF by writing a Logic [1] to HVF. If high-voltage condition is still present while writing a Logic [1] to HVF, the writing has no effect. Therefore, a high-voltage interrupt cannot be lost due to inadvertent clearing of HVF. Reset clears the HVF bit. Writing a Logic [0] to HVF has no effect.

- 1 = High-voltage condition has occurred
- 0 = High-voltage condition has not occurred

**Overcurrent Flag Bit (OCF)**

This read-only flag is set on an overcurrent condition. Reset clears the OCF bit. To clear this flag, write a Logic [1] to the appropriate overcurrent flag in the SYSSTAT Register. See [Figure 10](#), illustrating the three signals triggering the OCF.

- 1 = High-current condition has occurred
- 0 = High-current condition has not occurred



**Figure 10. Principal Implementation for OCF**

[查询"MM908E625ACDWB"供应商](#)

**INTERRUPT MASK REGISTER (IMR)**

Register Name and Address: IMR - \$04

Bits	7	6	5	4	3	2	1	0
Read	0	HPIE	LINIE	HTIE	LVIE	HVIE	OCIE	0
Write								
Reset	0	0	0	0	0	0	0	0

**Hall-Effect Sensor Input Terminal Interrupt Enable Bit (HPIE)**

This read/write bit enables CPU interrupts by the Hall-effect sensor input terminal flag, HPF. Reset clears the HPIE bit.

- 1 = Interrupt requests from HPF flag enabled
- 0 = Interrupt requests from HPF flag disabled

**LIN Line Interrupt Enable Bit (LINIE)**

This read/write bit enables CPU interrupts by the LIN flag, LINF. Reset clears the LINIE bit.

- 1 = Interrupt requests from LINF flag enabled
- 0 = Interrupt requests from LINF flag disabled

**High-Temperature Interrupt Enable Bit (HTIE)**

This read/write bit enables CPU interrupts by the high-temperature flag, HTF. Reset clears the HTIE bit.

- 1 = Interrupt requests from HTF flag enabled
- 0 = Interrupt requests from HTF flag disabled

**Low-Voltage Interrupt Enable Bit (LVIE)**

This read/write bit enables CPU interrupts by the low-voltage flag, LVF. Reset clears the LVIE bit.

- 1 = Interrupt requests from LVF flag enabled
- 0 = Interrupt requests from LVF flag disabled

**High-Voltage Interrupt Enable Bit (HVIE)**

This read/write bit enables CPU interrupts by the high-voltage flag, HVF. Reset clears the HVIE bit.

- 1 = Interrupt requests from HVF flag enabled
- 0 = Interrupt requests from HVF flag disabled

**Overcurrent Interrupt Enable Bit (OCIE)**

This read/write bit enables CPU interrupts by the overcurrent flag, OCF. Reset clears the OCIE bit.

- 1 = Interrupt requests from OCF flag enabled
- 0 = Interrupt requests from OCF flag disabled

[查询"MM908E625ACDWB"供应商](#)

**RESET**

The 908E625 chip has four internal reset sources and one external reset source, as explained in the paragraphs below. [Figure 11](#) depicts the internal reset sources.

**RESET INTERNAL SOURCES**

**Autonomous Watchdog**

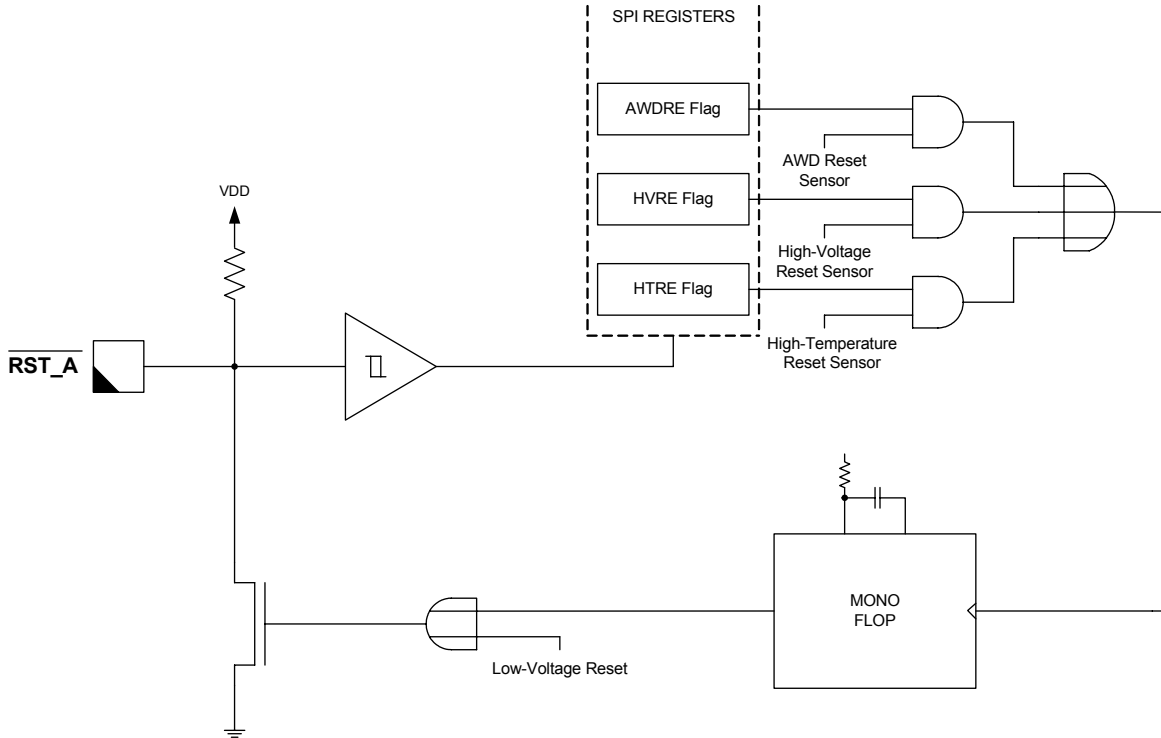
AWD modules generates a reset because of a timeout (watchdog function).

**High-Temperature Reset**

To prevent damage to the device, a reset will be initiated if the temperature rises above a certain value. The reset is maskable with bit HTRE in the Reset Mask Register. After a reset the high-temperature reset is disabled.

**Low-Voltage Reset**

The LVR is related to the internal  $V_{DD}$ . In case the voltage falls below a certain threshold, it will pull down the  $\overline{RST\_A}$  terminal.



**Figure 11. Internal Reset Routing**

**High-Voltage Reset**

The HVR is related to the external  $V_{SUP}$  voltage. In case the voltage is above a certain threshold, it will pull down the

$\overline{RST\_A}$  terminal. The reset is maskable with bit HVRE in the Reset Mask Register. After a reset the high-voltage reset is disabled.



[查询"MM908E625ACDWB"供应商](#)

**RESET EXTERNAL SOURCE**

**External Reset Terminal**

The microcontroller has the capability of resetting the SMARTMOS™ device by pulling down the RST terminal.

**RESET MASK REGISTER (RMR)**

Register Name and Address: RMR - \$06

Bits	7	6	5	4	3	2	1	0
Read	TTEST	0	0	0	0	0	HVRE	HTRE
Write								
Reset	0	0	0	0	0	0	0	0

**High-Temperature Reset Test (TTEST)**

This read/write bit is for test purposes only. It decreases the overtemperature shutdown limit for final test. Reset clears the HTRE bit.

- 1 = Low-temperature threshold enabled
- 0 = Low-temperature threshold disabled

**High-Voltage Reset Enable Bit (HVRE)**

This read/write bit enables resets on high-voltage conditions. Reset clears the HVRE bit.

- 1 = High-voltage reset enabled
- 0 = High-voltage reset disabled

**High-Temperature Reset Enable Bit (HTRE)**

This read/write bit enables resets on high-temperature conditions. Reset clears the HTRE bit.

- 1 = High-temperature reset enabled
- 0 = High-temperature reset disabled

[查询"MM908E625ACDWB"供应商](#)

**ANALOG DIE I/Os**

**LIN Physical Layer**

The LIN bus terminal provides a physical layer for single-wire communication in automotive applications. The LIN physical layer is designed to meet the LIN physical layer specification.

The LIN driver is a low-side MOSFET with internal current limitation and thermal shutdown. An internal pull-up resistor with a serial diode structure is integrated, so no external pull-up components are required for the application in a slave node. The fall time from dominant to recessive and the rise time from recessive to dominant is controlled. The symmetry between both slew rate controls is guaranteed.

The LIN terminal offers high susceptibility immunity level from external disturbance, guaranteeing communication during external disturbance.

The LIN transmitter circuitry is enabled by setting the PSON bit in the System Control Register (SYSCTL). If the transmitter works in the current limitation region, the LINCL bit in the System Status Register (SYSSTAT) is set. Due to excessive power dissipation in the transmitter, software is advised to monitor this bit and turn the transmitter off immediately.

**TXD TERMINAL**

The TXD terminal is the MCU interface to control the state of the LIN transmitter (see [Figure 1](#)). When TXD is LOW, LIN output is low (dominant state). When TXD is HIGH, the LIN output MOSFET is turned off. The TXD terminal has an internal pull-up current source in order to set the LIN bus in recessive state in the event, for instance, the microcontroller could not control it during system power-up or power-down.

**RXD TERMINAL**

The RXD transceiver terminal is the MCU interface, which reports the state of the LIN bus voltage. LIN HIGH (recessive state) is reported by a high level on RXD, LIN LOW (dominant state) by a low level on RXD.

**STOP MODE/WAKE-UP FEATURE**

During STOP mode operation the transmitter of the physical layer is disabled. The receiver terminal is still active and able to detect wake-up events on the LIN bus line.

If LIN interrupt is enabled (LINIE bit in the Interrupt Mask Register is set), a falling edge on the LIN line causes an interrupt. This interrupt switches on the main voltage regulator and generates a system wake-up.

**Analog Multiplexer/ADOUT Terminal**

The ADOUT terminal is the analog output interface to the ADC of the MCU. See [Figure 12](#). An analog multiplexer is used to read seven internal diagnostic analog voltages.

**Current Recopy**

The analog multiplexer is connected to the four low-side current sense circuits of the half-bridges. These sense circuits offer a voltage proportional to the current through the low-side MOSFET. High or low resolution is selectable: 5.0 V/2.5 A or 5.0 V/500 mA, respectively. Refer to [Half-Bridge Current Recopy](#).)

**Analog Input PA1**

The analog input PA1 is directly connected to the analog multiplexer, permitting analog values from the periphery to be read.

**TEMPERATURE SENSOR**

The 908E625 includes an on-chip temperature sensor. This sensor offers a voltage that is proportional to the actual chip junction temperature.

**V<sub>SUP</sub> PRESCALER**

The V<sub>SUP</sub> prescaler permits the reading or measurement of the external supply voltage. The output of this voltage is V<sub>SUP</sub>/RATIO<sub>V<sub>SUP</sub></sub>.

The different internal diagnostic analog voltages can be selected with the ADMUX Register.

**ANALOG MULTIPLEXER CONFIGURATION REGISTER (ADMUX)**

Register Name and Address: ADMUX - \$07

Bits	7	6	5	4	3	2	1	0
Read	0	0	0	0	SS3	SS2	SS1	SS0
Write								
Reset	0	0	0	0	0	0	0	0

**SS3, SS2, SS1, and SS0—A/D Input Select Bits**

These read/write bits select the input to the ADC in the microcontroller according to [Table 7](#). Reset clears SS3, SS2, SS1, and SS0 bits.

[查询"MM908E625ACDWB"供应商](#)

**Table 7. Analog Multiplexer Configuration Register**

SS3	SS2	SS1	SS0	Channel
0	0	0	0	Current Recopy HB1
0	0	0	1	Current Recopy HB2
0	0	1	0	Current Recopy HB3
0	0	1	1	Current Recopy HB4
0	1	0	0	V <sub>SUP</sub> Prescaler
0	1	0	1	Temperature Sensor
0	1	1	0	Not Used
0	1	1	1	PA1 Terminal
1	0	0	0	Not Used
1	0	0	1	
1	0	1	0	
1	0	1	1	
1	1	0	0	
1	1	0	1	
1	1	1	0	
1	1	1	1	

**ANALOG INPUT PA1**

The Analog input PA1 terminal provides an input for reading analog signals and is internally connected to the analog multiplexer. It can be used for reading switches, potentiometers or resistor values, etc.

**ANALOG INPUT PA1 CURRENT SOURCE**

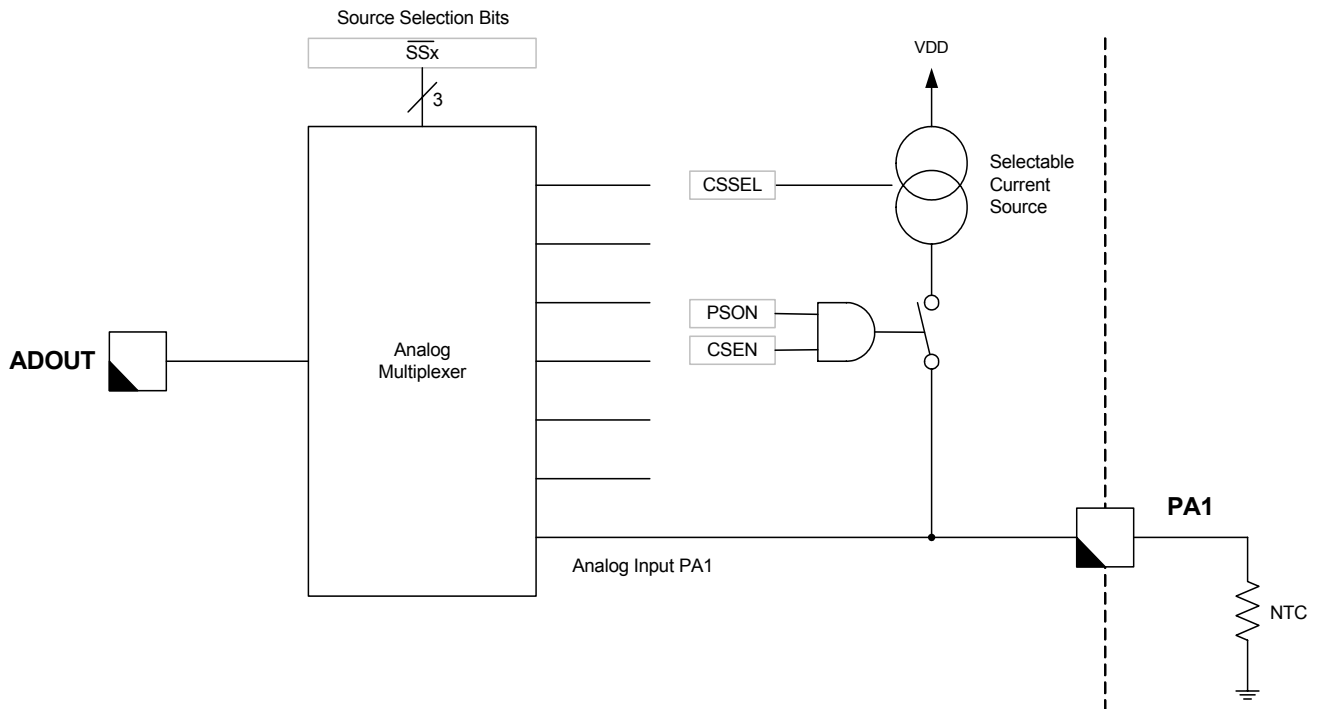
The analog input PA1 has an additional selectable current source. It enables the reading of switches, NTC, etc., without the need of an additional supply line for the sensor illustrated in [Figure 12](#). With this feature it is also possible to read multiple switches on one input.

Current source is enabled if the PSON bit in the System Control Register (SYSCTL) and the CSEN bit in the Power Output Register (POUT) is set.

Four different current source values can be selected with the CSELx bits shown in [Table 8](#). This function ceases during STOP mode operation.

**Table 8. PA1 Current Source Level Selection Bits**

CSEL1	CSEL0	Current Source Enable (typ.)
0	0	10%
0	1	30%
1	0	60%
1	1	100%



**Figure 12. Analog Input PA1 and Multiplexer**

查询"MM908E625ACDWB"供应商

**POWER OUTPUT REGISTER (POUT)**

Register Name and Address: POUT - \$0b

Bits	7	6	5	4	3	2	1	0
Read	0	0	CSSEL1	CSSEL0	CSEN	0 <sup>(15)</sup>	HVDDON	HS_ON
Write								
Reset	0	0	0	0	0	0	0	0

Notes

- 15. This bit must always be set to 0.

**Current Source Select Bits (CSSEL0:CSSEL1)**

These read/write bits select the current source values. Reset clears the CSSEL0:CSSEL1 bits.

**Current Source Enable Bit (CSEN)**

This read/write bit enables the current source for PA1. Reset clears the CSEN bit ([Table 9](#)).

**Table 9. PA1 Current Source Enable Bit**

CSEN	Current Source Enable
0	Current Source Off
1	Current Source On

**HVDD On Bit (HVDDON)**

This read/write bit enables HVDD output. Reset clears the HVDDON bit.

- 1 = HVDD enabled
- 0 = HVDD disabled

**Lamp Driver On Bit (HS\_ON)**

This read/write bit enables the Lamp driver. Reset clears the HS\_ON bit.

- 1 = Lamp driver enabled
- 0 = Lamp driver disabled

**Hall-Effect Sensor Input Terminals (H1:H3)**

**Function**

The Hall-effect sensor input terminals provide three inputs for two-terminal Hall-effect sensors for detecting stall and position or reading Hall-effect sensor contact switches. The Hall-effect sensor input terminals are not influenced by the PSON bit in the System Control Register.

Each terminal of the Hall-effect sensor can be enabled by setting the HxEN bit in the Hall-Effect Sensor Input Terminal Control Register (HACTL). If the terminals are enabled, the Hall-effect sensors are supplied with  $V_{SUP}$  voltage and the sense circuitry is working. An internal clamp circuitry limits the supply voltage to the sensor to 15 V. This sense circuitry monitors the current to VSS. The result of this sense operation is given by the HxF flags in the Hall-Effect Sensor Input Terminal Status Register (HASTAT).

The flag is set if the sensed current is higher than  $I_{HSCT}$ . To prevent noise on this flag, a hysteresis is implemented on these terminals.

After switching on the Hall-effect sensor input terminals (HxEN = 1), the Hall-effect sensors need some time to stabilize the output. In RUN mode the software must wait at least 40  $\mu$ s between enabling the Hall-effect sensor and reading the hall flag.

The Hall-effect sensor input terminal works in a dynamic output voltage range from  $V_{SUP}$  down to 2.0 V. Below 2.0 V the hallflags are not functional anymore. If the output voltage is below a certain threshold, the Hall-Effect Sensor Input Terminal Overcurrent Flag (HP\_OCF) in the System Status Register is set.

[Figures 13](#) through [15](#) illustrate the connections to the Hall-effect input sensors.

[查询"MM908E625ACDWB"供应商](#)

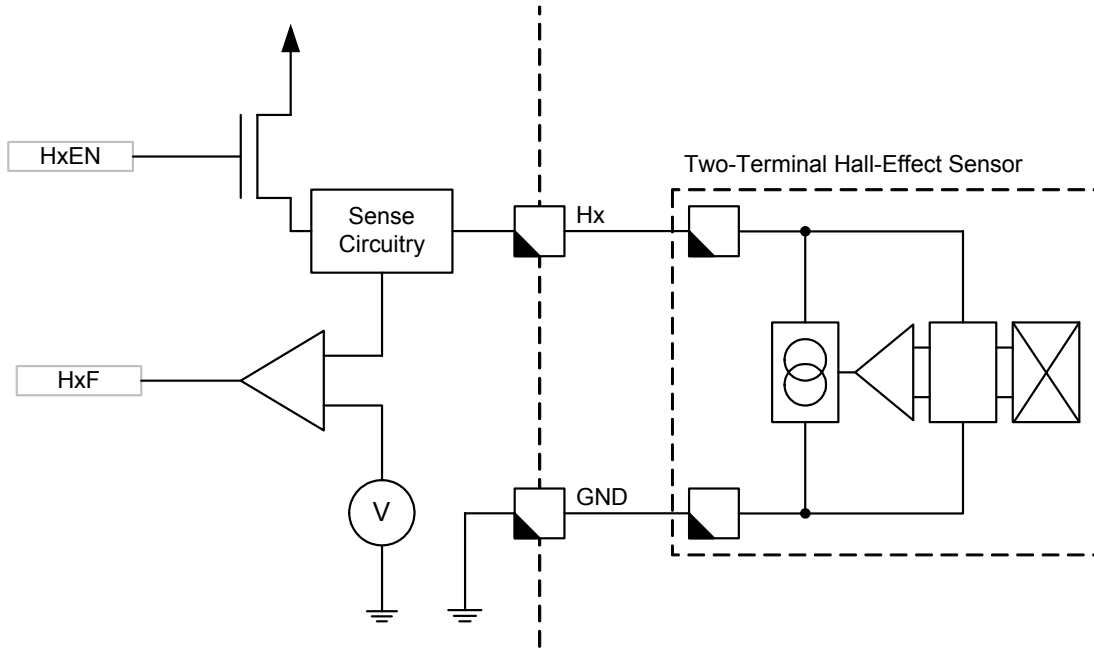


Figure 13. Hall-Effect Sensor Input Terminal Connected to Two-Terminal Hall-Effect Sensor

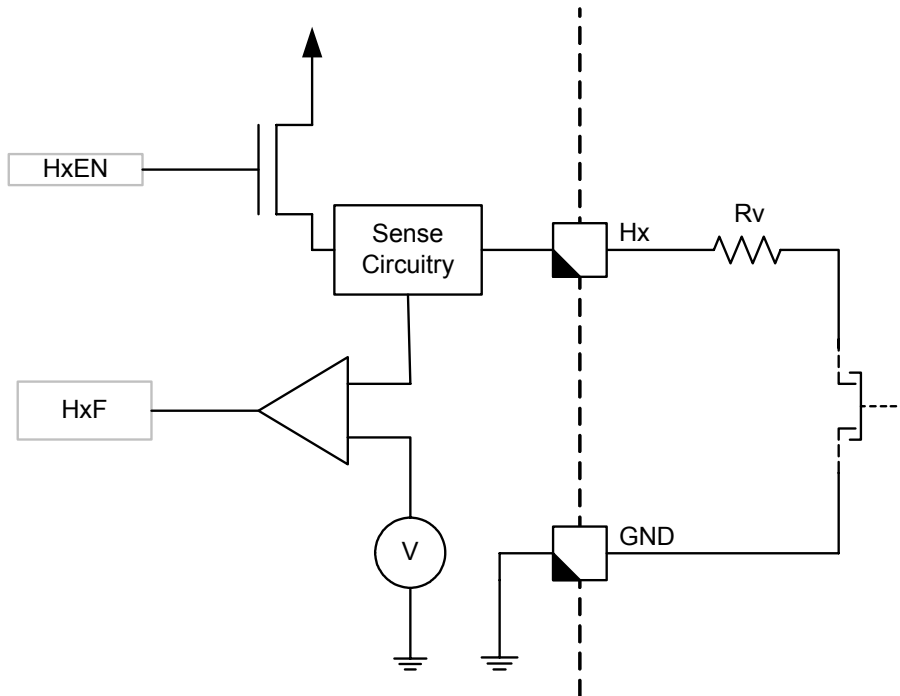


Figure 14. Hall-Effect Sensor Input Terminal Connected to Local Switch

[查询"MM908E625ACDWB"供应商](#)

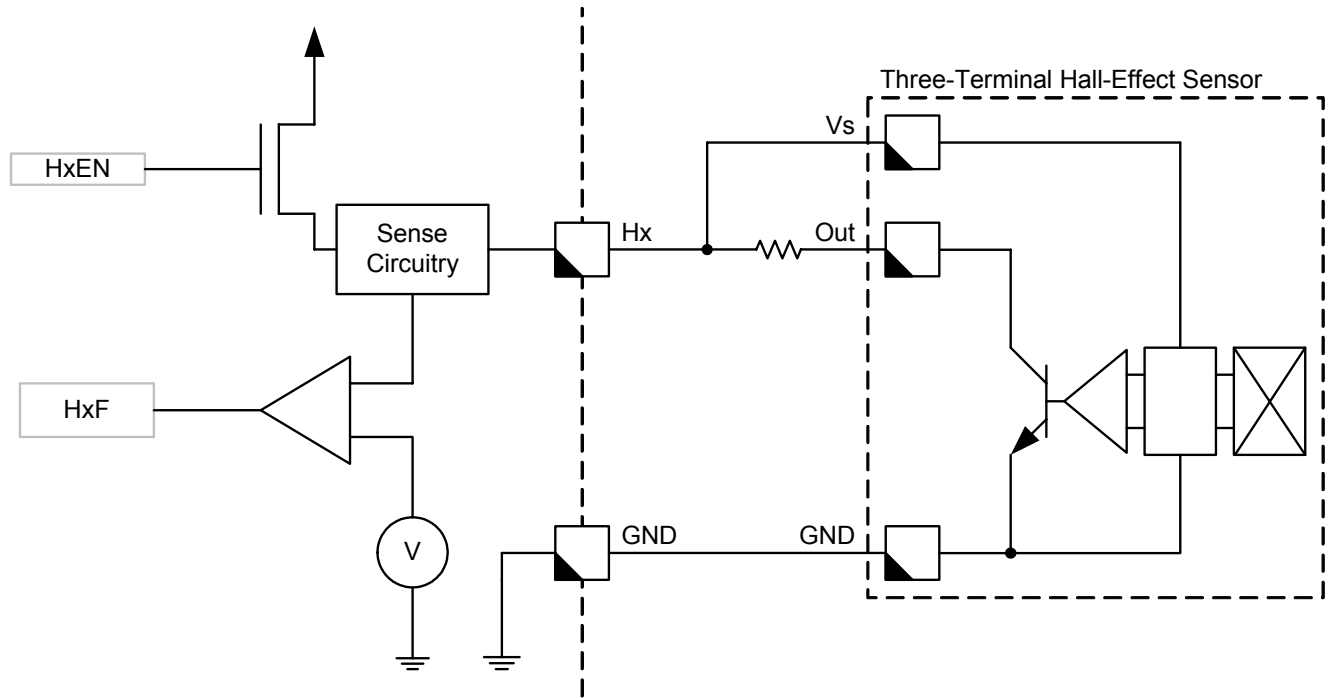


Figure 15. Hall-Effect Sensor Input Terminal Connected to Three-Terminal Hall-Effect Sensor

**Interrupts**

The Hall-effect sensor input terminals are interrupt capable. How and when an interrupt occurs is dependent on the operating mode, RUN or Stop.

**RUN Mode**

In RUN mode the Hall-effect sensor input terminal interrupt flag (HPF) will be set if a state change on the hallflags (HxF) is detected. The interrupt is maskable with the HPIE bit in the Interrupt Mask Register. Before enabling the interrupt, the flag should be cleared in order to prevent a wrong interrupt.

**STOP Mode**

In STOP mode the Hall-effect sensor input terminals are disabled independent of the state of the HxEN flags.

**CYCLIC WAKE-UP**

The Hall-effect sensor inputs can be used to wake up the system. This wake-up function is provided by the cyclic check wake-up feature of the AWD (Autonomous Watchdog).

If the cyclic check wake-up feature is enabled (AWDCC bit is set), the AWD switches on the enabled Hall-effect sensor terminals periodically. To ensure that the Hall-effect sensor current is stabilized after switching on, the inputs are sensed after  $\sim 40 \mu s$ . If a 1 is detected ( $I_{Hall\ sensor} > I_{HSC T}$ ) and the interrupt mask bit HPIE is set, an interrupt is performed. This wakes up the MCU and starts the main voltage regulator.

The wake-up function via this input is available when all three conditions exist:

- The two-terminal Hall-effect sensor input is enabled (HxEN = 1)
- The cyclic wake-up of the AWD is enabled (AWDCC = 1); see [Figure 16](#)
- The Hall-effect sensor input terminal interrupt is enabled (HPIE = 1)

[查询"MM908E625ACDWB"供应商](#)

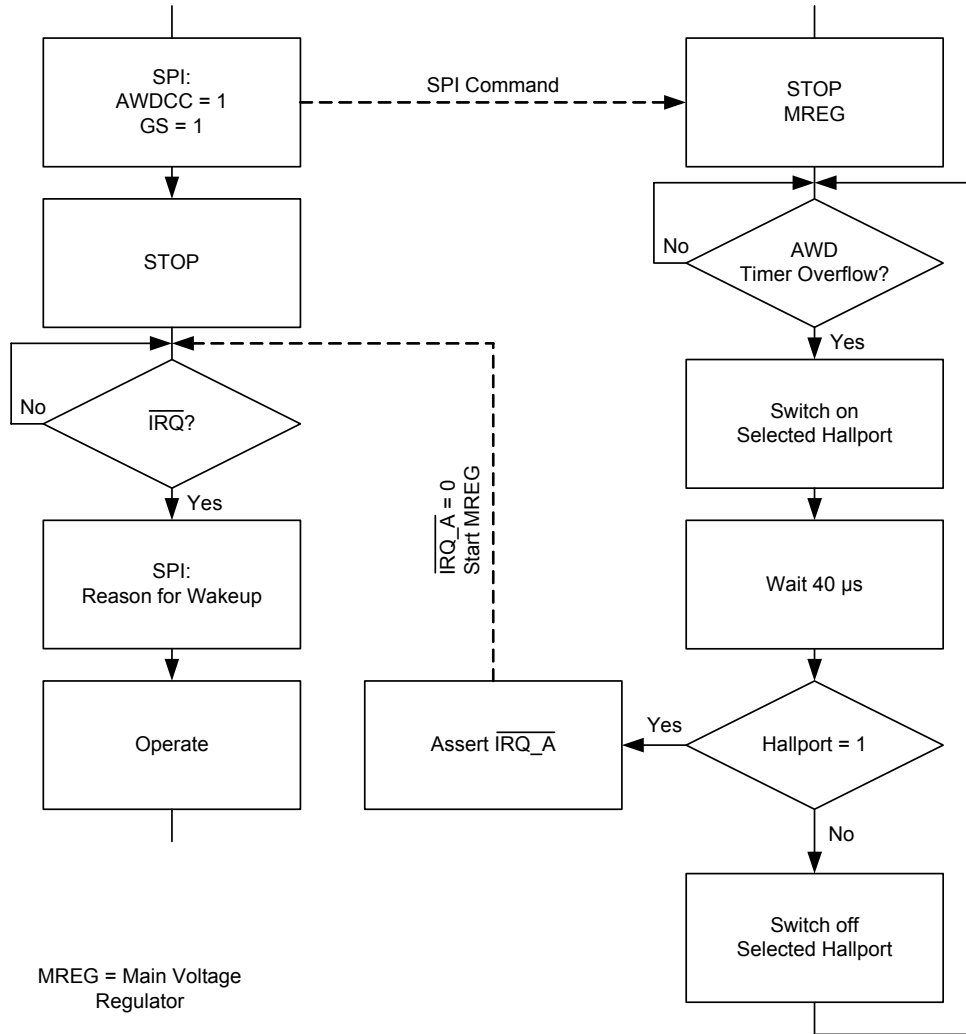


Figure 16. Hall-Effect Sensor Input Terminal Cyclic Check Wake-Up Feature

**HALL-EFFECT SENSOR INPUT TERMINAL CONTROL REGISTER (HACTL)**

Register Name and Address: HACTL - \$08

Bits	7	6	5	4	3	2	1	0
Read	0	0	0	0	0	H3EN	H2EN	H1EN
Write								
Reset	0	0	0	0	0	0	0	0

**Hall-Effect Sensor Input Terminal Enable Bits (H3EN:H1EN)**

These read/write bits enable the Hall-effect sensor input terminals. Reset clears the H3EN:H1EN bits.

- 1 = Hall-effect sensor input terminal Hx switched on and sensed

- 0 = Hall-effect sensor input terminal Hx disabled

**HALL-EFFECT SENSOR INPUT TERMINAL STATUS REGISTER (HASTAT)**

Register Name and Address: HASTAT - \$09

Bits	7	6	5	4	3	2	1	0
Read	0	0	0	0	0	H3F	H2F	H1F
Write								
Reset	0	0	0	0	0	0	0	0

**Hall-Effect Sensor Input Terminal Flag Bits (H3F:H1F)**

These read-only flag bits reflect the input Hx while the Hall-effect sensor input terminal Hx is enabled (HxEN = 1). Reset clears the H3F:H1F bits.

[查询"MM908E625ACDWB"供应商](#)

- 1 = Hall-effect sensor input terminal current above threshold
- 0 = Hall-effect sensor input terminal current below threshold

**HALF-BRIDGES**

Outputs HB1:HB4 provide four low-resistive half-bridge output stages. The half-bridges can be used in H-Bridge, high-side, or low-side configurations.

Reset clears all bits in the H-Bridge Output Register (HBOUT) owing to the fact that all half-bridge outputs are switched off.

HB1:HB4 output features:

- Short circuit (overcurrent) protection on high-side and low-side MOSFETs
- Current recopy feature (low side MOSFET)
- Overtemperature protection
- Overvoltage and undervoltage protection
- Current limitation feature (low side MOSFET)

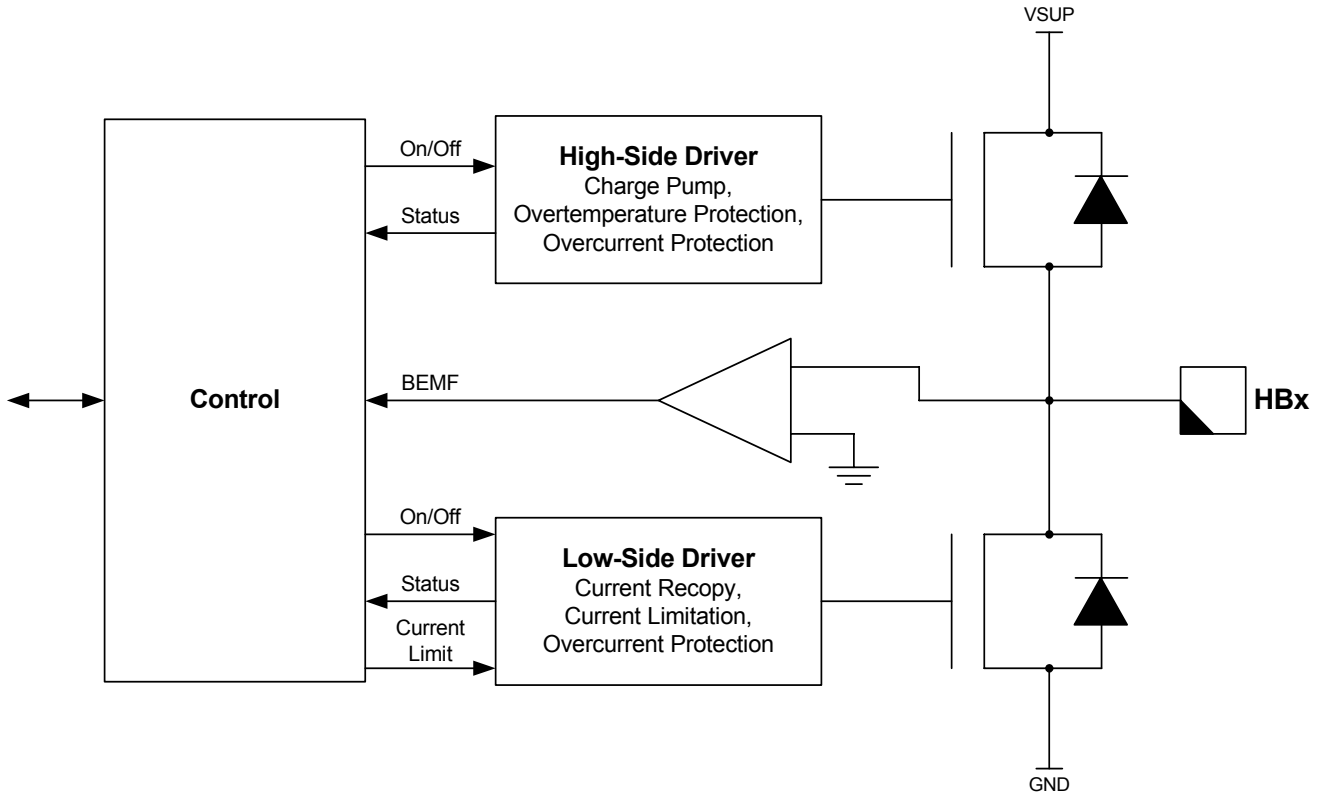


Figure 17. Half-Bridge Push-Pull Output Driver

**HALF-BRIDGE CONTROL**

Each output MOSFET can be controlled individually. The general enable of the circuitry is done by setting PSON in the System Control Register (SYSCCTL). HBx\_L and HBx\_H form one half-bridge. It is not possible to switch on both MOSFETs in one half-bridge at the same time. If both bits are set, the high-side MOSFET has a higher priority.

To avoid both MOSFETs (high side and low side) of one half-bridge being on at the same time, a break-before-make circuit exists. Switching the high-side MOSFET on is inhibited as long as the potential between gate and V<sub>SS</sub> is not below a certain threshold. Switching the low-side MOSFET on is blocked as long as the potential between gate and source of the high-side MOSFET did not fall below a certain threshold.

**HALF-BRIDGE OUTPUT REGISTER (HBOUT)**

Register Name and Address: HBOUT - \$01

Bits	7	6	5	4	3	2	1	0
Read	HB4_H	HB4_L	HB3_H	HB3_L	HB2_H	HB2_L	HB1_H	HB1_L
Write								
Reset	0	0	0	0	0	0	0	0

**Low-Side On/Off Bits (HBx\_L)**

These read/write bits turn on the low-side MOSFETs. Reset clears the HBx\_L bits.



[查询"MM908E625ACDWB"供应商](#)

- 1 = Low-side MOSFET turned on for half-bridge output  
 x
- 0 = Low-side MOSFET turned off for half-bridge output  
 x

**High-Side On/Off Bits (HBx\_H)**

These read/write bits turn on the high-side MOSFETs. Reset clears the HBx\_H bits.

- 1 = High-side MOSFET turned on for half-bridge output  
 x
- 0 = High-side MOSFET turned on for half-bridge output  
 x

**HALF-BRIDGE CURRENT LIMITATION**

Each low-side MOSFET offers a current limit or constant current feature. This features is realized by a pulse width

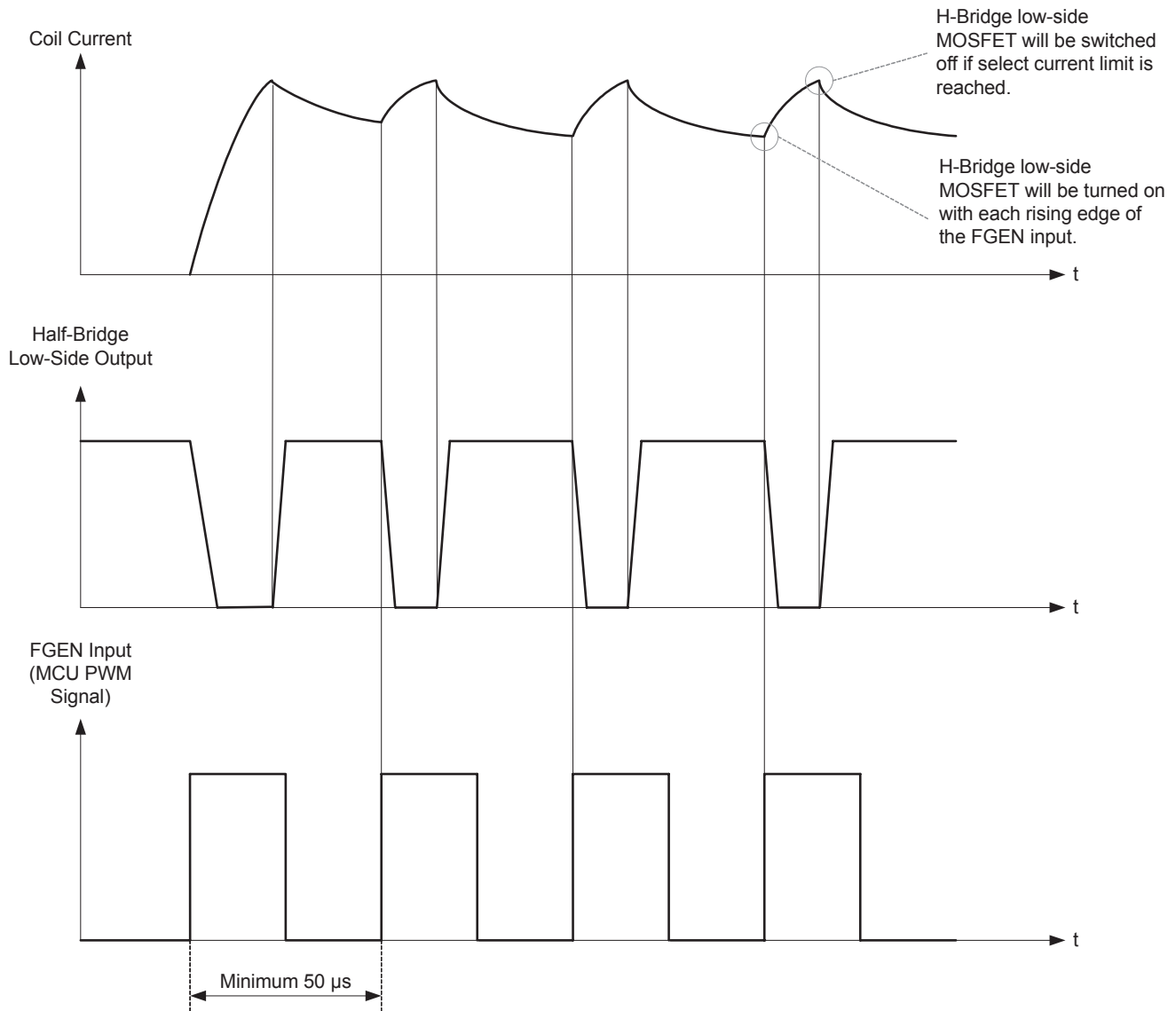
modulation on the low-side MOSFET. The pulse width modulation on the outputs is controlled by the FGEN input

and the load characteristics. The FGEN input provides the PWM frequency, whereas the duty cycle is controlled by the load characteristics.

The recommended frequency range for the FGEN and the PWM is 0.1 kHz to 20 kHz.

**Functionality**

Each low-side MOSFET switches off if a current above the selected current limit was detected. The 908E625 offers five different current limits. Refer to [Table 10](#) for current limit values. The low-side MOSFET switches on again if a rising edge on the FGEN input was detected ([Figure 18](#)).



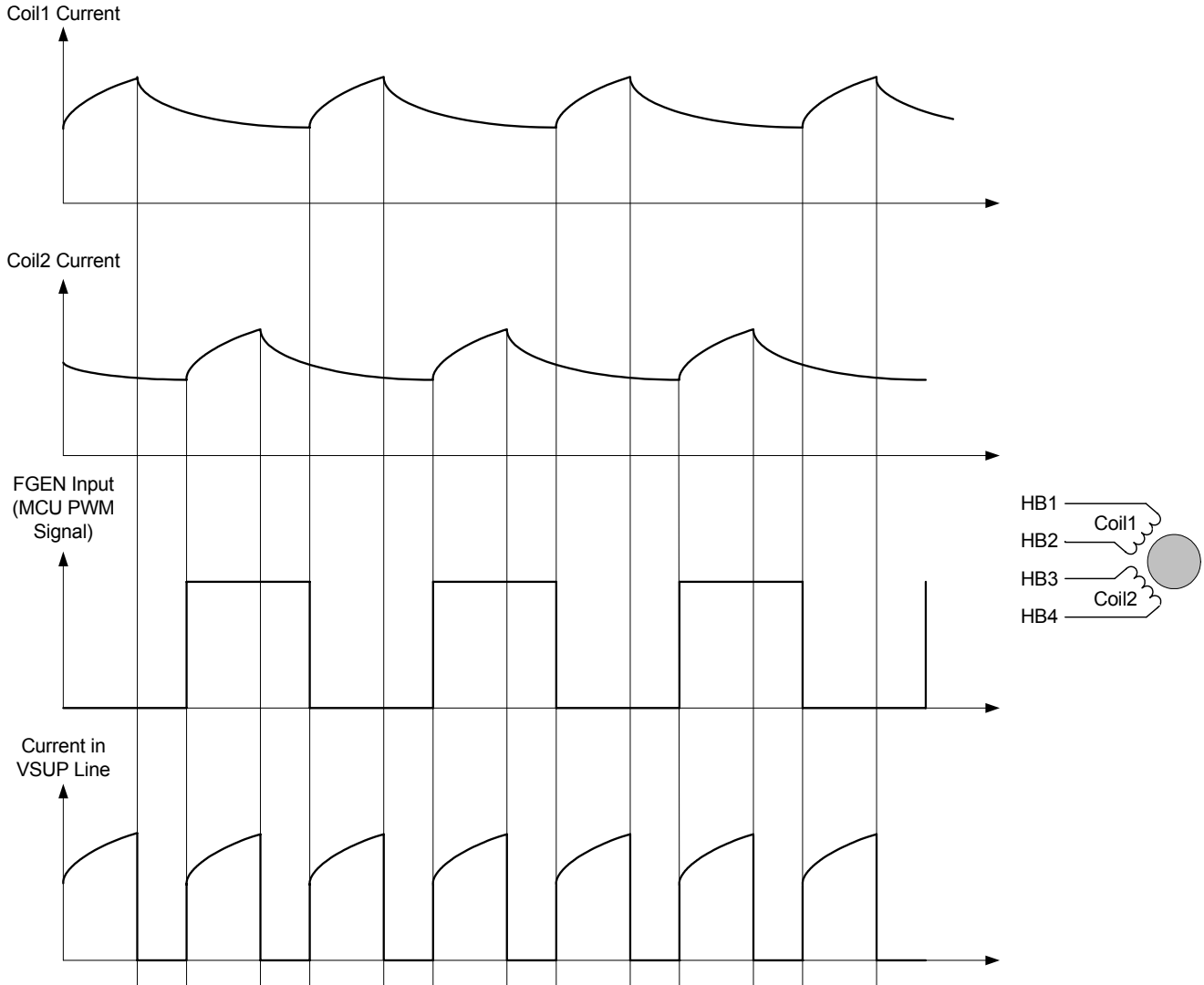
**Figure 18. Half-Bridge Current Limitation**

[查询"MM908E625ACDWB"供应商](#)

**OFFSET CHOPPING**

If bit OFC\_EN in the H-Bridge Control Register (HBCTL) is set, HB1 and HB2 will continue to switch on the low-side MOSFETs with the rising edge of the FGEN signal and HB3 and HB4 will switch on the low-side MOSFETs with the falling edge

edge on the FGEN input. In step motor applications this feature allows the reduction of EMI due to a reduction of the di/dt ([Figure 19](#)).



**Figure 19. Offset Chopping for Step Motor Control**

**HALF-BRIDGE CURRENT RECOPY**

Each low-side MOSFET has an additional sense output to allow a current recopy feature. This sense source is internally connected to a shunt resistor. The drop voltage is amplified and switched to the analog multiplexer.

The factor for the current sense amplification can be selected via bit CSA in the System Control Register.

- CSA = 1: Low resolution selected (500 mA measurement range)
- CSA = 0: High resolution selected (2.5 A measurement range)

**HALF-BRIDGE BEMF GENERATION**

The BEMF output is set to 1 if a recirculation current is detected in any half-bridge. This recirculation current flows via the two freewheeling diodes of the power MOSFETs. The BEMF circuitry detects that and generates a HIGH on the BEMF output as long as a recirculation current is detected. This signal provides a flexible and reliable detection of stall in step motor applications. For this the BEMF circuitry takes advantage of the instability of the electrical and mechanical behavior of a step motor when blocked. In addition the signal can be used for open load detection (absence of this signal), see [Figure 20](#).

[查询"MM908E625ACDWB"供应商](#)

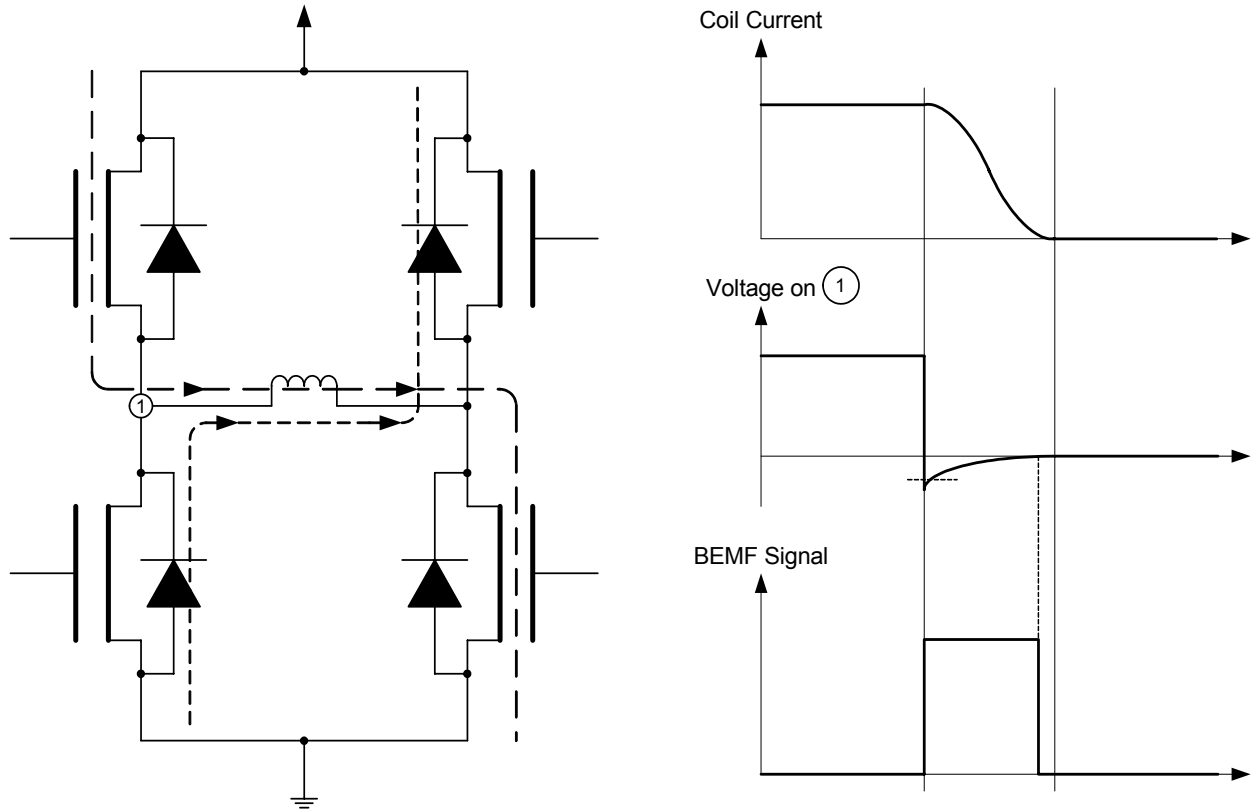


Figure 20. BEMF Signal Generation

### HALF-BRIDGE OVERTEMPERATURE PROTECTION

The half-bridge outputs provide an overtemperature pre-warning with the HTF in the Interrupt Flag Register (IFR). In order to protect the outputs against overtemperature, the High-Temperature Reset must be enabled. If this value is reached, the part generates a reset and disables all power outputs.

### HALF-BRIDGE OVERCURRENT PROTECTION

The half-bridges are protected against short to GND, short to VSUP, and load shorts.

In the event an overcurrent on the high side is detected, the high-side MOSFETs on all HB high-side MOSFETs are switched off automatically. In the event an overcurrent on the low side is detected, all HB low-side MOSFETs are switched off automatically. In both cases the overcurrent status flag HB\_OCF in the System Status Register (SYSSTAT) is set.

The overcurrent status flag is cleared (and the outputs re-enabled) by writing a Logic [1] to the HB\_OCF flag in the System Status Register or by reset.

### HALF-BRIDGE OVERVOLTAGE/UNDERVOLTAGE

The half-bridge outputs are protected against undervoltage and overvoltage conditions. This protection is

done by the low- and high-voltage interrupt circuitry. If one of these flags (LVF, HVF) is set, the outputs are automatically disabled.

The overvoltage/undervoltage status flags are cleared (and the outputs re-enabled) by writing a Logic [1] to the LVF/HVF flags in the Interrupt Flag Register or by reset. Clearing this flag is useless as long as a high- or low-voltage condition is present.

### HALF-BRIDGE CONTROL REGISTER (HBCTL)

Register Name and Address: HBCTL - \$02

Bits	7	6	5	4	3	2	1	0
Read	OFC_EN	CSA	0	0	0	CLS2	CLS1	CLS0
Write								
Reset	0	0	0	0	0	0	0	0

#### H-Bridge Offset Chopping Enable Bit (OFC\_EN)

This read/write bit enables offset chopping. Reset clears the OFC\_EN bit.

- 1 = Offset chopping enabled
- 0 = Offset chopping disabled

查询"MM908E625ACDWB"供应商

**H-Bridges Current Sense Amplification Select Bit (CSA)**

This read/write bit selects the current sense amplification of the H-Bridges. Reset clears the CSA bit.

- 1 = Current sense amplification set for measuring 0.5 A.
- 0 = Current sense amplification set for measuring 2.5 A.

**H-Bridge Current Limitation Selection Bits (CLS2:CLS0)**

These read/write bits select the current limitation value according to [Table 10](#). Reset clears the CLS2:CLS0 bits.

**Table 10. H-Bridge Current Limitation Value Selection Bits**

CLS2	CLS1	CLS0	Current Limit
0	0	0	No Limit
0	0	1	
0	1	0	
0	1	1	55 mA (typ)
1	0	0	260 mA (typ)
1	0	1	370 mA (typ)
1	1	0	550 mA (typ)
1	1	1	740 mA (typ)

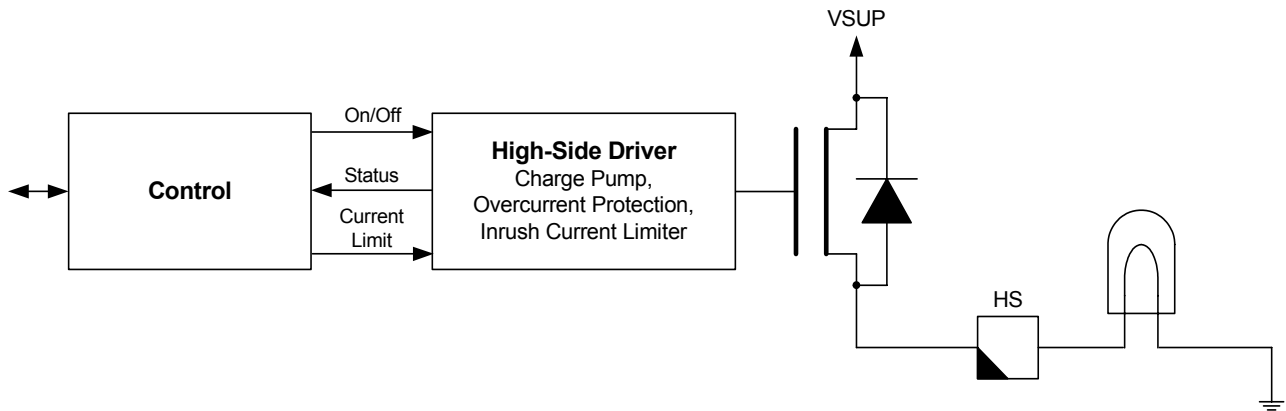
**HIGH-SIDE DRIVER**

The high-side output is a low-resistive high-side switch targeted for driving lamps. The high side is protected against overtemperature. To limit the high inrush current of bulbs, overcurrent protection circuitry is used to limit the current. The output is enabled with bit PSON in the System Control Register and can be switched on/off with bit HS\_ON in the Power Output Register. [Figure 21](#) depicts the high-side switch circuitry and connection to external lamp.

**HIGH-SIDE OVERVOLTAGE/UNDERVOLTAGE PROTECTION**

The high-side output terminal, HS, is protected against undervoltage/overvoltage conditions. This protection is done by the low- and high-voltage interrupt circuitry. If one of these flags (LVF, HVF) is set, the output is disabled.

The overvoltage/undervoltage status flags are cleared and the output re-enabled by writing a Logic [1] to the LVF/HVF flags in the Interrupt Flag Register or by reset. Clearing this flag is useless as long as a high- or low-voltage condition is present.



**Figure 21. High-Side Circuitry**

[查询"MM908E625ACDWB"供应商](#)

**HIGH-SIDE OVERTEMPERATURE PROTECTION**

The high-side output provides an overtemperature pre-warning with the HTF in the Interrupt Flag Register. In order to protect the output against overtemperature, the High-Temperature Reset must be enabled. If this value is reached, the part generates a reset and disables all power outputs.

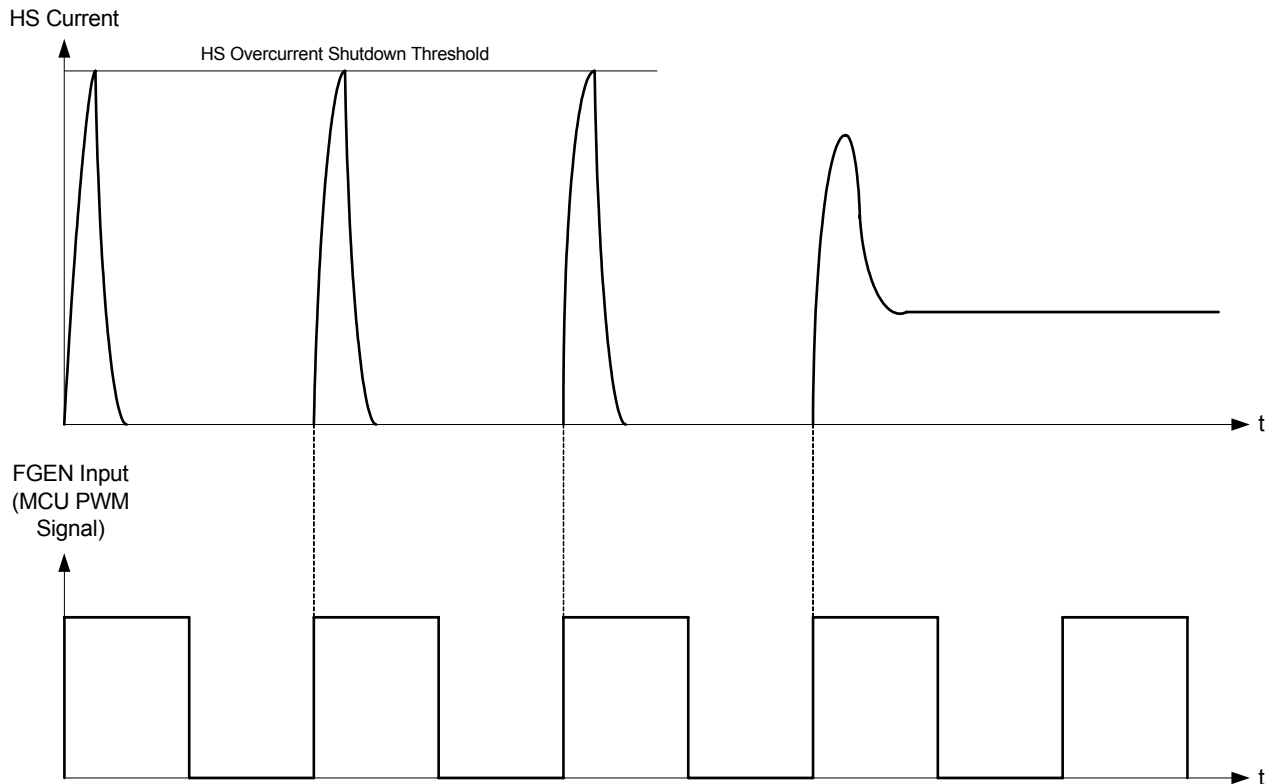
**HIGH-SIDE OVERCURRENT PROTECTION**

The high-side output is protected against overcurrent. In the event overcurrent limit is or was reached, the output automatically switches off and the overcurrent flag is set.

Due to the high inrush current of bulbs, a special feature of the 908E625 prevents an overcurrent shutdown during this

inrush. If an PWM frequency is supplied to the FGEN output during the switching on of a bulb, the inrush current is limited to the overcurrent shutdown limit. This means if the current reaches the overcurrent shutdown, the high side will be switched off, but each rising edge on the FGEN input will enable the driver again.

To distinguish between a shutdown due to an inrush current or a real shutdown, the software must check if the overcurrent status flag (HS\_OCF) in the System Status Register is set beyond a certain period of time. The overcurrent status flag is cleared by writing a Logic [1] to the HS\_OCF in the System Status Register, see [Figure 22](#).



**Figure 22. Inrush Current Limiter on High-Side Output**

**SWITCHABLE VDD OUTPUT (HVDD)**

The HVDD terminal is a switchable VDD output terminal. It can be used for driving external circuitry that requires a  $V_{DD}$  voltage. The output is enabled with bit PSON in the System Control Register and can be switched on/off with bit HVDDON in the Power Output Register. Low- or high-voltage conditions (LVI/HVI) have no influence on this circuitry.

**HVDD OVERTEMPERATURE PROTECTION**

Overtemperature protection is enabled if the high-temperature reset is enabled.

**HVDD OVERCURRENT PROTECTION**

The HVDD output is protected against overcurrent. In the event the overcurrent limit is or was reached, the output automatically switches off and the HVDD overcurrent flag in the System Status Register is set.

查询"MM908E625ACDWB"供应商

**SYSTEM CONTROL REGISTER (SYSCTL)**

Register Name and Address: SYSCTL - \$03

Bits	7	6	5	4	3	2	1	0
Read	PSON	SRS1	SRS0	0	0	0	0	0
Write								GS
Reset	0	0	0	0	0	0	0	0

**Power Stages On Bit (PSON)**

This read/write bit enables the power stages (half-bridges, high side, LIN transmitter, Analog Input PA1 current sources, and HVDD output). Reset clears the PSON bit.

- 1 = Power stages enabled.
- 0 = Power stages disabled.

**LIN Slew Rate Selection Bits (SRS0:SRS1)**

These read/write bits enable the user to select the appropriate LIN slew rate for different baud rate configurations as shown in [Table 11](#).

The high speed slew rates are used, for example, for programming via the LIN and are not intended for use in the application.

**Table 11. LIN Slew Rate Selection Bits**

SRS1	SRS0	LIN Slew Rate
0	0	Initial Slew Rate (20 kBaud)
0	1	Slow Slew Rate (10 kBaud)
1	0	High Speed II (8x)
1	1	High Speed I (4x)

**Go to STOP Mode Bit (GS)**

This write-only bit instructs the 908E625 to power down and go into STOP mode. Reset or CPU interrupt requests clear the GS bit.

- 1 = Power down and go into STOP mode
- 0 = Not in STOP mode

**SYSTEM STATUS REGISTER (SYSSTAT)**

Register Name and Address: SYSSTAT - \$0c

Bits	7	6	5	4	3	2	1	0
Read	HP_OCF	LINCL	HVDD_OCF	HS_OCF	LVF	HVF	HB_OCF	HTF
Write								
Reset	0	0	0	0	0	0	0	0

**Hall-Effect Sensor Input Terminal Overcurrent Flag Bit (HP\_OCF)**

This read/write flag is set on an overcurrent condition at one of the Hall-effect sensor input terminals. Clear HP\_OCF and enable the output by writing a Logic [1] to the HP\_OCF

flag. Reset clears the HP\_OCF bit. Writing a Logic [0] to HP\_OCF has no effect.

- 1 = Overcurrent condition on Hall-effect sensor input terminal has occurred
- 0 = No overcurrent condition on Hall-effect sensor input terminal has occurred

**LIN Current Limitation Bit (LINCL)**

This read-only bit is set if the LIN transmitter operates in current limitation region. Due to excessive power dissipation in the transmitter, software is advised to turn the transmitter off immediately.

- 1 = Transmitter operating in current limitation region
- 0 = Transmitter not operating in current limitation region

**HVDD Output Overcurrent Flag Bit (HVDD\_OCF)**

This read/write flag is set on an overcurrent condition at the HVDD terminal. Clear HVDD\_OCF and enable the output by writing a Logic [1] to the HVDD\_OCF Flag. Reset clears the HVDD\_OCF bit. Writing a Logic [0] to HVDD\_OCF has no effect.

- 1 = Overcurrent condition on HVDD has occurred
- 0 = No overcurrent condition on HVDD has occurred

**High-Side Overcurrent Flag Bit (HS\_OCF)**

This read/write flag is set on an overcurrent condition at the high-side driver. Clear HS\_OCF and enable the high-side driver by writing a Logic [1] to HS\_OCF. Reset clears the HS\_OCF bit. Writing a Logic [0] to HS\_OCF has no effect.

- 1 = Overcurrent condition on high-side drivers has occurred
- 0 = No overcurrent condition on high-side drivers has occurred

**Low-Voltage Bit (LVF)**

This read only bit is a copy of the LVF bit in the Interrupt Flag Register.

- 1 = Low-voltage condition has occurred
- 0 = No low-voltage condition has occurred

**High-Voltage Sensor Bit (HVF)**

This read-only bit is a copy of the HVF bit in the Interrupt Flag Register.

- 1 = High-voltage condition has occurred
- 0 = No high-voltage condition has occurred

**H-Bridge Overcurrent Flag Bit (HB\_OCF)**

This read/write flag is set on an overcurrent condition at the H-Bridges. Clear HB\_OCF and enable the H-Bridge driver by writing a Logic [1] to HB\_OCF. Reset clears the HB\_OCF bit. Writing a Logic [0] to HB\_OCF has no effect.

- 1 = Overcurrent condition on H-Bridges has occurred
- 0 = No overcurrent condition on H-Bridges has occurred

## 查询"MM908E625ACDWB"供应商

### Overtemperature Status Bit (HTF)

This read-only bit is a copy of the HTF bit in the Interrupt Flag Register.

- 1 = Overtemperature condition has occurred
- 0 = No overtemperature condition has occurred

### AUTONOMOUS WATCHDOG (AWD)

The Autonomous Watchdog module consists of three functions:

- Watchdog function for the CPU in RUN mode
- Periodic interrupt function in STOP mode
- Cyclic wake-up function in STOP mode

The AWD is enabled if AWDIE, AWDRE, or AWDCC in the AWDCTL Register is set. If these bits are cleared, the AWD oscillator is disabled and the watchdog switched off.

### WATCHDOG

The watchdog function is only available in RUN mode. On setting the AWDRE bit, watchdog functionality in RUN mode is activated. Once this function is enabled, it is not possible to disable it via software.

If the timer reaches end value and AWDRE is set, a system reset is initiated. Operations of the watchdog function cease in STOP mode. Normal operation will be continued when the system is back to RUN mode.

To prevent a watchdog reset, the watchdog timeout counter must be reset before it reaches the end value. This is done by a write to the AWDRST bit in the AWDCTL Register.

### PERIODIC INTERRUPT

Periodic interrupt is only available in STOP mode. It is enabled by setting the AWDIE bit in the AWDCTL Register. If AWDIE is set, the AWD wakes up the system after a fixed period of time. This time period can be selected with bit AWDR in the AWDCTL Register.

### CYCLIC WAKE-UP

The cyclic wake-up feature is only available in STOP mode. If this feature is enabled, the selected Hall-effect sensor input terminals are switched on and sensed. If a "1" is detected on one of these inputs and the interrupt for the Hall-effect sensors is enabled, a system wake-up is performed. (Switch on main voltage regulator and assert IRQ\_A to the microcontroller).

### AUTONOMOUS WATCHDOG CONTROL REGISTER (AWDCTL)

Register Name and Address: AWDCTL - \$0a

Bits	7	6	5	4	3	2	1	0
Read	0	0	0	AWDR E	AWDI E	AWDC C	AWDF	AWDR
Write			AWDRS T					
Reset	0	0	0	0	0	0	0	0

### Autonomous Watchdog Reset Bit (AWDRST)

This write-only bit resets the Autonomous Watchdog timeout period. AWDRST always reads 0. Reset clears AWDRST bit.

- 1 = Reset AWD and restart timeout period
- 0 = No effect

### Autonomous Watchdog Reset Enable Bit (AWDRE)

This read/write bit enables resets on AWD time-outs. A reset on the RST\_A is only asserted when the device is in RUN mode. AWDRE is one-time settable (write once) after each reset. Reset clears the AWDRE bit.

- 1 = Autonomous watchdog enabled
- 0 = Autonomous watchdog disabled

### Autonomous Watchdog Interrupt Enable Bit (AWDIE)

This read/write bit enables CPU interrupts by the Autonomous Watchdog timeout flag, AWDF. IRQ\_A is only asserted when the device is in STOP mode. Reset clears the AWDIE bit.

- 1 = CPU interrupt requests from AWDF enabled
- 0 = CPU interrupt requests from AWDF disabled

### Autonomous Watchdog Cyclic Check (AWDCC)

This read/write bit enables the cyclic check of the two-terminal Hall-effect sensor and the analog inputs. Reset clears the AWDCC bit.

- 1 = Cyclic check of the Hall-effect sensor and analog port
- 0 = No cyclic check of the Hall-effect sensor and analog port

### Autonomous Watchdog Timeout Flag Bit (AWDF)

This read/write flag is set when the Autonomous Watchdog has timed out. Clear AWDF by writing a Logic [1] to AWDF. Clearing AWDF also resets the AWD counter and starts a new timeout period. Reset clears the AWDF bit. Writing a Logic [0] to AWDF has no effect.

- 1 = AWD has timed out
- 0 = AWD has not yet timed out

## 查询"MM908E625ACDWB"供应商

### Autonomous Watchdog Rate Bit (AWDR)

This read/write bit selects the clock rate of the Autonomous Watchdog. Reset clears the AWDR bit.

- 1 = Fast rate selected (10 ms)
- 0 = Slow rate selected (20 ms)

### VOLTAGE REGULATOR

The 908E625 chip contains a low-power, low-drop voltage regulator to provide internal power and external power for the MCU. The on-chip regulator consist of two elements, the main voltage regulator and the low-voltage reset circuit.

The  $V_{DD}$  regulator accepts a unregulated input supply and provides a regulated  $V_{DD}$  supply to all digital sections of the

device. The output of the regulator is also connected to the VDD terminal to provide the 5.0 V to the microcontroller.

### RUN Mode

During RUN mode the main voltage regulator is on. It provides a regulated supply to all digital sections.

### STOP Mode

During STOP mode the STOP mode regulator supplies a regulated output voltage. The STOP mode regulator has a very limited output current capability. The output voltage will be lower than the output voltage of the main voltage regulator.

## FACTORY TRIMMING AND CALIBRATION

To enhance the ease-of-use of the 908E625, various parameters (e.g. ICG trim value) are stored in the flash memory of the device. The following flash memory locations are reserved for this purpose and might have a value different from the *empty* (0xFF) state:

- 0xFD80:0xFDDF Trim and Calibration Values
- 0xFFFE:0xFFFF Reset Vector

In the event the application uses these parameters, one has to take care not to erase or override these values. If these parameters are not used, these flash locations can be erased and otherwise used.

### Trim Values

Below the usage of the trim values located in the flash memory is explained

### Internal Clock Generator (ICG) Trim Value

The internal clock generator (ICG) module is used to create a stable clock source for the microcontroller without using any external components. The untrimmed frequency of the low-frequency base clock (IBASE), will vary as much as  $\pm 25$  percent due to process, temperature, and voltage dependencies. To compensate this dependancies a ICG trim values is located at adress \$FDC2. After trimming the ICG is a range of typ.  $\pm 2\%$  ( $\pm 3\%$  max.) at nominal conditions (filtered (100nF) and stabilized (4,7uF)  $V_{DD} = 5V$ ,  $T_{Ambient} \sim 25^{\circ}C$ ) and will vary over temperature and voltage (VDD) as indicated in the 68HC908EY16 datasheet.

To trim the ICG this values has to be copied to the ICG Trim Register ICGTR at adress \$38 of the MCU.

**Important** The value has to copied after every reset.



[查询"MM908E625ACDWB"供应商](#)

## TYPICAL APPLICATIONS

### DEVELOPMENT SUPPORT

As the 908E625 has the MC68HC908EY16 MCU embedded typically all the development tools available for the MCU also apply for this device, however due to the fact of the additional analog die circuitry and the nominal +12V supply voltage some additional items have to be considered:

- nominal 12V rather than 5V or 3V supply
- high voltage  $V_{TST}$  might be applied not only to  $\overline{IRQ}$  terminal, but  $\overline{IRQ\_A}$  terminal

For a detailed information on the MCU related development support see the MC68HC908EY16 datasheet - section development support.

The programming is principally possible at two stages in the manufacturing process - first on chip level, before the IC is soldered onto a pcb board and second after the IC is soldered onto the pcb board.

#### Chip level programming

On Chip level the easiest way is to only power the MCU with +5V (see [Figure 23](#)) and not to provide the analog chip with VSUP, in this setup all the analog terminal should be left open (e.g. VSUP[1:3]) and interconnections between MCU and analog die have to be separated (e.g.  $\overline{IRQ}$  -  $\overline{IRQ\_A}$ ).

This mode is well described in the MC68HC908EY16 datasheet - section development support.

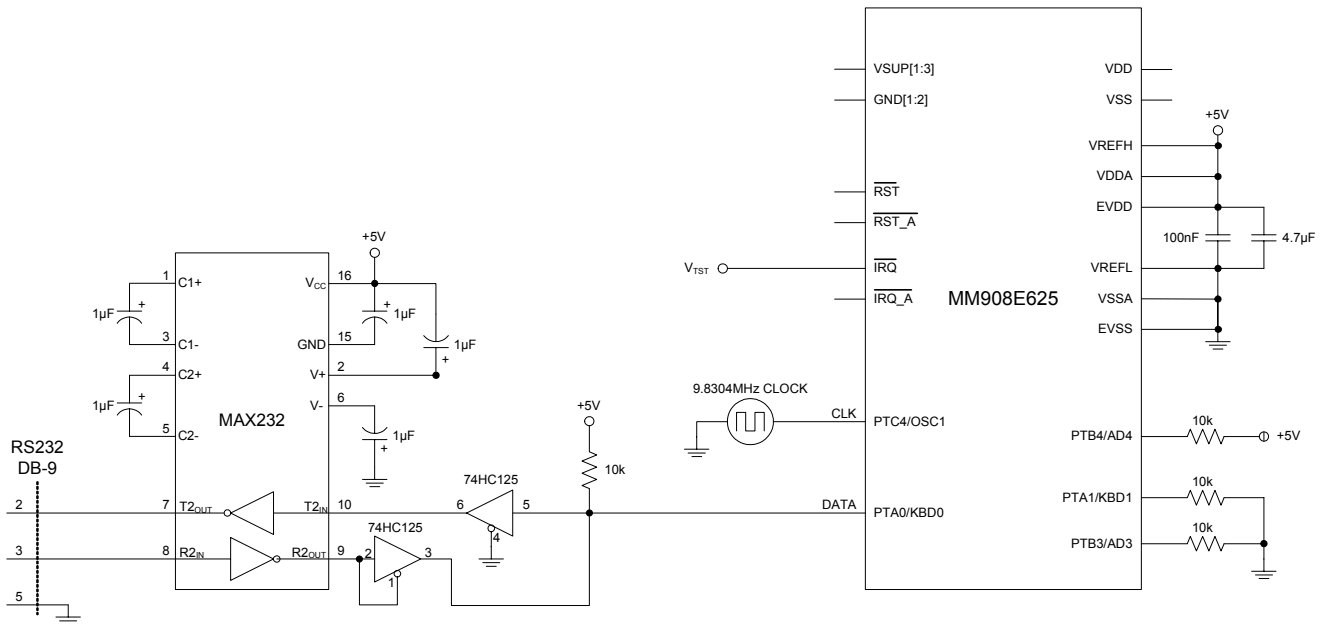


Figure 23. Normal Monitor Mode Circuit (MCU only)

Of course its also possible to supply the whole system with Vsup (12V) instead as descibted in [Figure 24, page 42](#).

#### PCB level programming

If the IC is soldered onto the pcb board its typically not possible to seperately power the MCU with +5V, the whole

查询"MM908E625ACDWB"供应商

system has to be powered up providing  $V_{SUP}$  (see Figure 24).

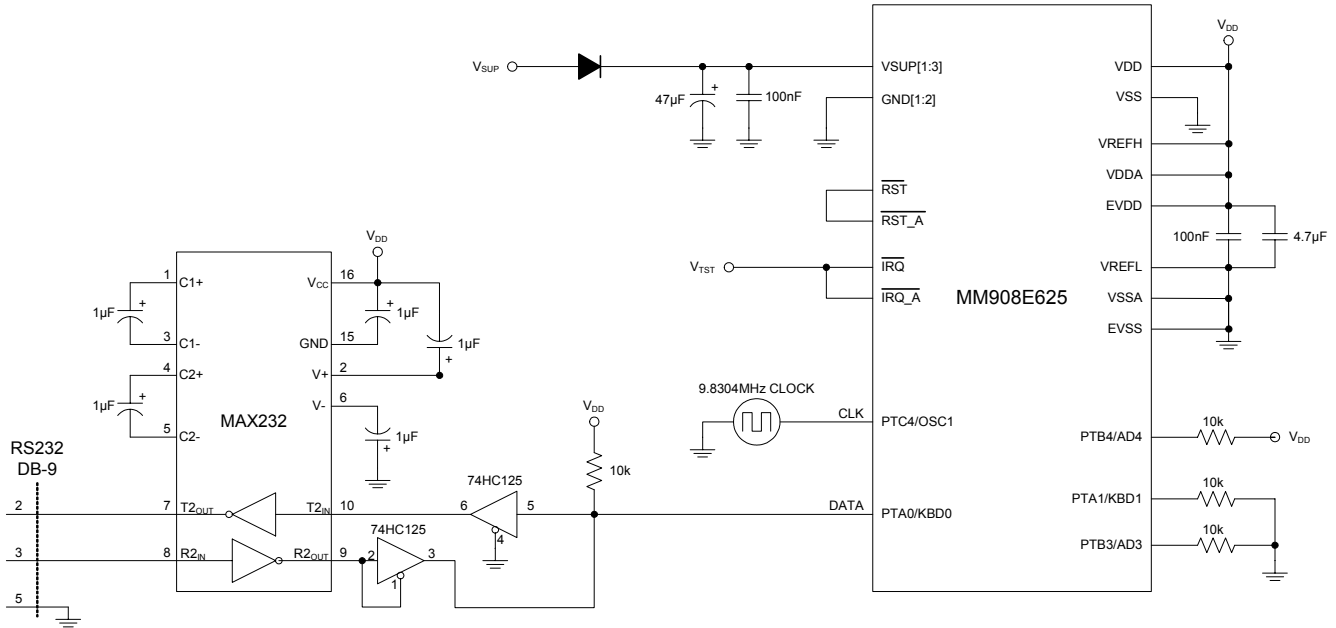


Figure 24. Normal Monitor Mode Circuit

Table 12 summarizes the possible configurations and the necessary setups.

Table 12. Monitor Mode Signal Requirements and Options

Mode	$\overline{IRQ}$	$\overline{RST}$	Reset Vector	Serial Communication		Mode Selection		ICG	COP	Normal Request Timeout	Communication Speed		
				PTA0	PTA1	PTB3	PTB4				External Clock	Bus Frequency	Baud Rate
Normal Monitor	$V_{TST}$	$V_{DD}$	X	1	0	0	1	OFF	disabled	disabled	9.8304 MHz	2.4576 MHz	9600
Forced Monitor	$V_{DD}$	$V_{DD}$	\$FFFF (blank)	1	0	X	X	OFF	disabled	disabled	9.8304 MHz	2.4576 MHz	9600
	GND							ON	disabled	disabled	—	Nominal 1.6MHz	Nominal 6300
User	$V_{DD}$	$V_{DD}$	not \$FFFF (not blank)	X	X	X	X	ON	enabled	enabled	—	Nominal 1.6MHz	Nominal 6300

Notes

1. PTA0 must have a pullup resistor to  $V_{DD}$  in monitor mode
2. External clock is a 4.9152MHz, 9.8304MHz or 19.6608MHz canned oscillator on OCS1
3. Communication speed with external clock is depending on external clock value. Baud rate is bus frequency / 256
4. X = don't care
5.  $V_{TST}$  is a high voltage  $V_{DD} + 3.5V \leq V_{TST} \leq V_{DD} + 4.5V$

[查询"MM908E625ACDWB"供应商](#)

**EMC/EMI RECOMMENDATIONS**

This paragraph gives some device specific recommendations to improve EMC/EMI performance. Further generic design recommendations can be e.g. found on the Freescale website [www.freescale.com](http://www.freescale.com).

**VSUP terminals (VSUP1:VSUP3)**

Its recommended to place a high-quality ceramic decoupling capacitor close to the VSUP terminals to improve EMC/EMI behaviour.

**LIN terminal**

For DPI (Direct Power Injection) and ESD (Electro Static Discharge) its recommended to place a high-quality ceramic decoupling capacitor near the LIN terminal. An additional varistor will further increase the immunity against ESD. A ferrit in the LIN line will suppress some of the noise induced.

**Voltage regulator output terminals (VDD and AGND)**

Use a high-quality ceramic decoupling capacitor to stabilize the regulated voltage.

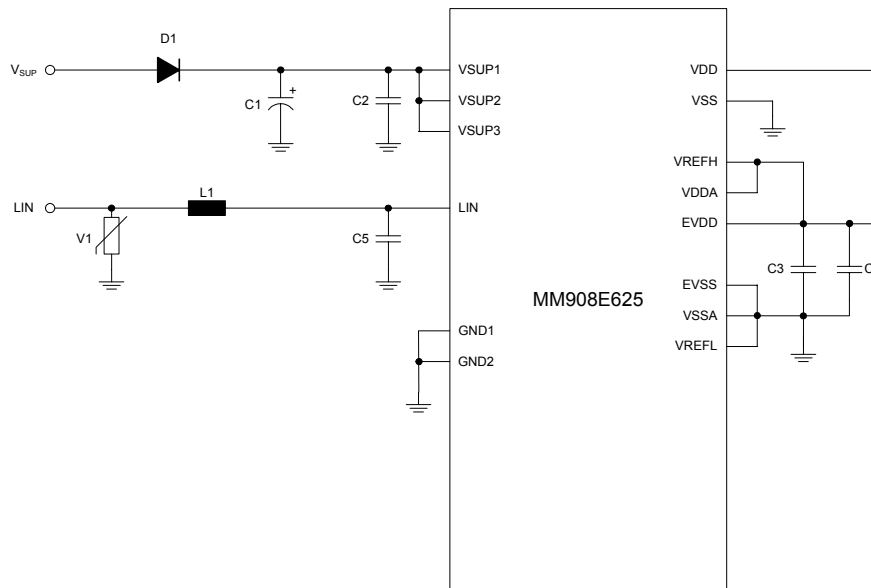
**MCU digital supply terminals (EVDD and EVSS)**

Fast signal transitions on MCU terminals place high, short-duration current demands on the power supply. To prevent noise problems, take special care to provide power supply bypassing at the MCU. It is recommended that a high-quality ceramic decoupling capacitor be placed between these terminals.

**MCU analog supply terminals (VREFH, VDDA and VREFL, VSSA)**

To avoid noise on the analog supply terminals its important to take special care on the layout. The MCU digital and analog supplies should be tied to the same potential via separate traces and connected to the voltage regulator output.

[Figure 25](#) and [Figure 26](#) show the recommendations on schematics and layout level and [Table 13](#) incidates recommended external components and layout considerations.



**Figure 25. EMC/EMI recommendations**

[查询"MM908E625ACDWB"供应商](#)

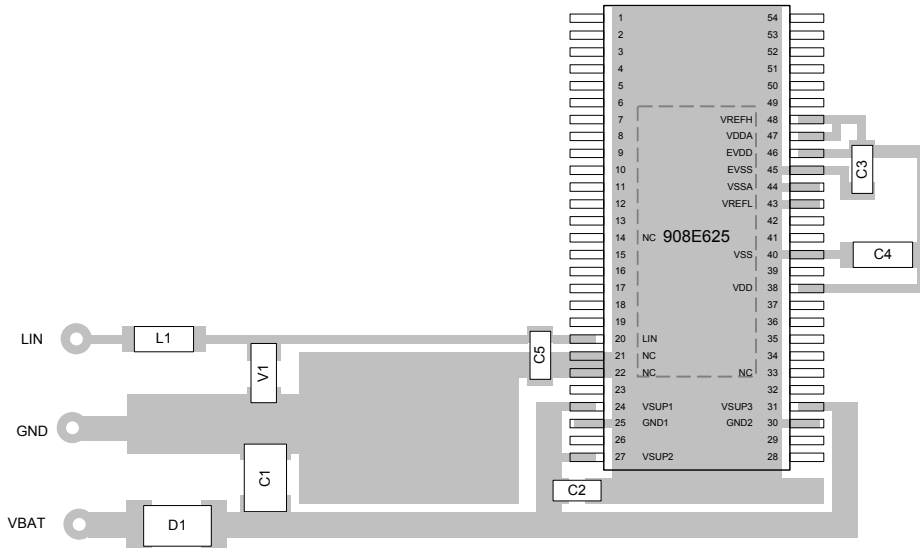


Figure 26. PCB Layout Recommendations

Table 13. Component Value Recommendation

Component	Recommended Value <sup>(1)</sup>	Comments / Signal routing
D1		reverse battery protection
C1	Bulk Capacitor	
C2	100nF, SMD Ceramic, Low ESR	Close (<5mm) to VSUP1, VSUP2 terminals with good ground return
C3	100nF, SMD Ceramic, Low ESR	Close (<3mm) to digital supply terminals (EVDD, EVSS) with good ground return. The positive analog (VREFH, VDDA) and the digital (EVDD) supply should be connected right at the C3.
C4	4,7uF, SMD Ceramic, Low ESR	Bulk Capacitor
C5	180pF, SMD Ceramic, Low ESR	Close (<5mm) to LIN terminal. Total Capacitance on LIN has to be below 220pF. ( $C_{total} = C_{LIN-Terminal} + C5 + C_{Varistor} \sim 10pF + 180pF + 15pF$ )
V1 <sup>(2)</sup>	Varistor Type TDK AVR-M1608C270MBAAB	Optional (close to LIN connector)
L1 <sup>(2)</sup>	SMD Ferrite Bead Type TDK MMZ2012Y202B	Optional, (close to LIN connector)

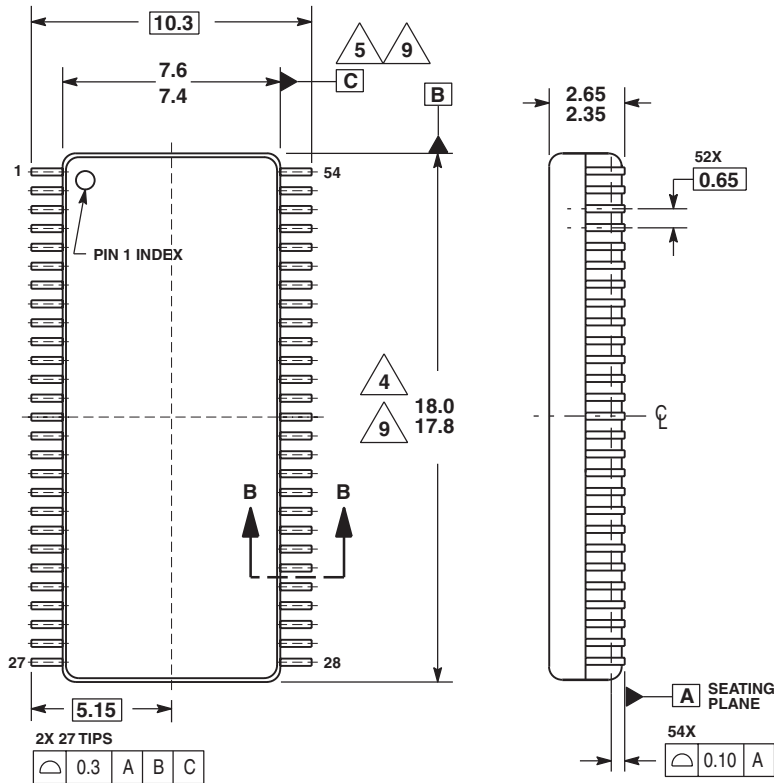
Notes

1. Freescale does not assume liability, endorse, or want components from external manufactures that are referenced in circuit drawings or tables. While Freescale offers component recommendations in this configuration, it is the customer's responsibility to validate their application.
2. Components are recommended to improve EMC and ESD performance.

查询"MM908E625ACDWB"供应商

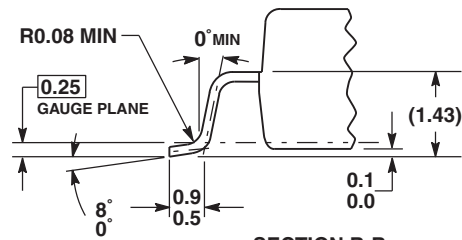
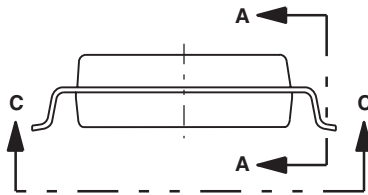
PACKAGING DIMENSIONS

**Important:** For the most current revision of the package, visit [www.freescale.com](http://www.freescale.com) and perform a keyword search on 98ARL105910.

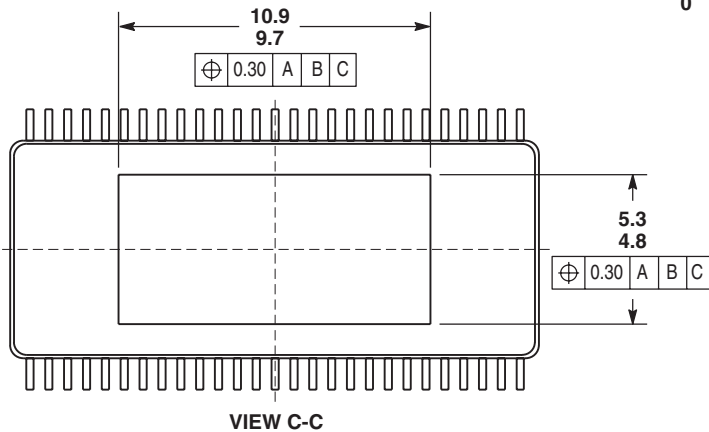


NOTES:

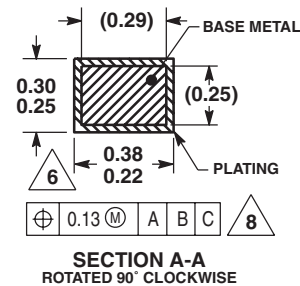
1. DIMENSIONS ARE IN MILLIMETERS.
2. DIMENSIONING AND TOLERANCING PER ASME Y14.5M, 1994.
3. DATUMS B AND C TO BE DETERMINED AT THE PLANE WHERE THE BOTTOM OF THE LEADS EXIT THE PLASTIC BODY.
4. THIS DIMENSION DOES NOT INCLUDE MOLD FLASH, PROTRUSION OR GATE BURRS. MOLD FLASH, PROTRUSION OR GATE BURRS SHALL NOT EXCEED 0.15 MM PER SIDE. THIS DIMENSION IS DETERMINED AT THE PLANE WHERE THE BOTTOM OF THE LEADS EXIT THE PLASTIC BODY.
5. THIS DIMENSION DOES NOT INCLUDE INTERLEAD FLASH OR PROTRUSIONS. INTERLEAD FLASH AND PROTRUSIONS SHALL NOT EXCEED 0.25 MM PER SIDE. THIS DIMENSION IS DETERMINED AT THE PLANE WHERE THE BOTTOM OF THE LEADS EXIT THE PLASTIC BODY.
6. THIS DIMENSION DOES NOT INCLUDE DAMBAR PROTRUSION. ALLOWABLE DAMBAR PROTRUSION SHALL NOT CAUSE THE LEAD WIDTH TO EXCEED 0.46 MM. DAMBAR CANNOT BE LOCATED ON THE LOWER RADIUS OR THE FOOT. MINIMUM SPACE BETWEEN PROTRUSION AND ADJACENT LEAD SHALL NOT BE LESS THAN 0.07 MM.
7. EXACT SHAPE OF EACH CORNER IS OPTIONAL.
8. THESE DIMENSIONS APPLY TO THE FLAT SECTION OF THE LEAD BETWEEN 0.1 MM AND 0.3 MM FROM THE LEAD TIP.
9. THE PACKAGE TOP MAY BE SMALLER THAN THE PACKAGE BOTTOM. THIS DIMENSION IS DETERMINED AT THE OUTERMOST EXTREMES OF THE PLASTIC BODY EXCLUSIVE OF MOLD FLASH, TIE BAR BURRS, GATE BURRS AND INTER-LEAD FLASH, BUT INCLUDING ANY MISMATCH BETWEEN THE TOP AND BOTTOM OF THE PLASTIC BODY.



SECTION B-B



VIEW C-C



SECTION A-A  
ROTATED 90° CLOCKWISE

查询"MM908E625ACDWB"供应商  
**ADDITIONAL DOCUMENTATION**

**THERMAL ADDENDUM (REV 2.0)**

**Introduction**

This thermal addendum is provided as a supplement to the MM908E625 technical data sheet. The addendum provides thermal performance information that may be critical in the design and development of system applications. All electrical, application and packaging information is provided in the data sheet.

**Package and Thermal Considerations**

This MM908E625 is a dual die package. There are two heat sources in the package independently heating with  $P_1$  and  $P_2$ . This results in two junction temperatures,  $T_{J1}$  and  $T_{J2}$ , and a thermal resistance matrix with  $R_{\theta JA mn}$ .

For  $m, n = 1$ ,  $R_{\theta JA11}$  is the thermal resistance from Junction 1 to the reference temperature while only heat source 1 is heating with  $P_1$ .

For  $m = 1, n = 2$ ,  $R_{\theta JA12}$  is the thermal resistance from Junction 1 to the reference temperature while heat source 2 is heating with  $P_2$ . This applies to  $R_{\theta J21}$  and  $R_{\theta J22}$ , respectively.

$$\begin{Bmatrix} T_{J1} \\ T_{J2} \end{Bmatrix} = \begin{bmatrix} R_{\theta JA11} & R_{\theta JA12} \\ R_{\theta JA21} & R_{\theta JA22} \end{bmatrix} \cdot \begin{Bmatrix} P_1 \\ P_2 \end{Bmatrix}$$

The stated values are solely for a thermal performance comparison of one package to another in a standardized environment. This methodology is not meant to and will not predict the performance of a package in an application-specific environment. Stated values were obtained by measurement and simulation according to the standards listed below.

**Standards**

**Table 14. Thermal Performance Comparison**

Thermal Resistance	1 = Power Chip, 2 = Logic Chip [°C/W]		
	$m = 1, n = 1$	$m = 1, n = 2$ $m = 2, n = 1$	$m = 2, n = 2$
$R_{\theta JA mn}$ <sup>(1)(2)</sup>	23	20	24
$R_{\theta JB mn}$ <sup>(2)(3)</sup>	9.0	6.0	10
$R_{\theta JA mn}$ <sup>(1)(4)</sup>	52	47	52
$R_{\theta JC mn}$ <sup>(5)</sup>	1.0	0	2.0

Notes:

- Per JEDEC JESD51-2 at natural convection, still air condition.
- 2s2p thermal test board per JEDEC JESD51-7 and JESD51-5.
- Per JEDEC JESD51-8, with the board temperature on the center trace near the power outputs.
- Single layer thermal test board per JEDEC JESD51-3 and JESD51-5.
- Thermal resistance between the die junction and the exposed pad, "infinite" heat sink attached to exposed pad.

**908E625**

---

**54-TERMINAL SOICW-EP**

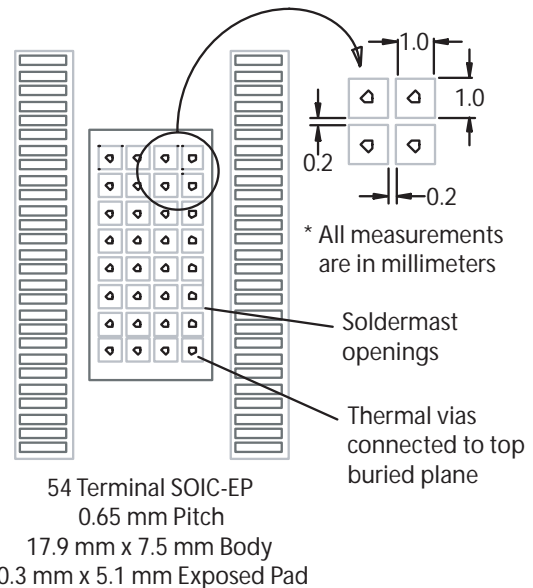
---



**DWB SUFFIX  
98ARL105910  
54-TERMINAL SOICW-EP**

---

**Note** For package dimensions, refer to the 908E625 device datasheet.



**Figure 27. Thermal Land Pattern for Direct Thermal Attachment Per JEDEC JESD51-5 Thermal Test Board**

[查询"MM908E625ACDWB"供应商](#)

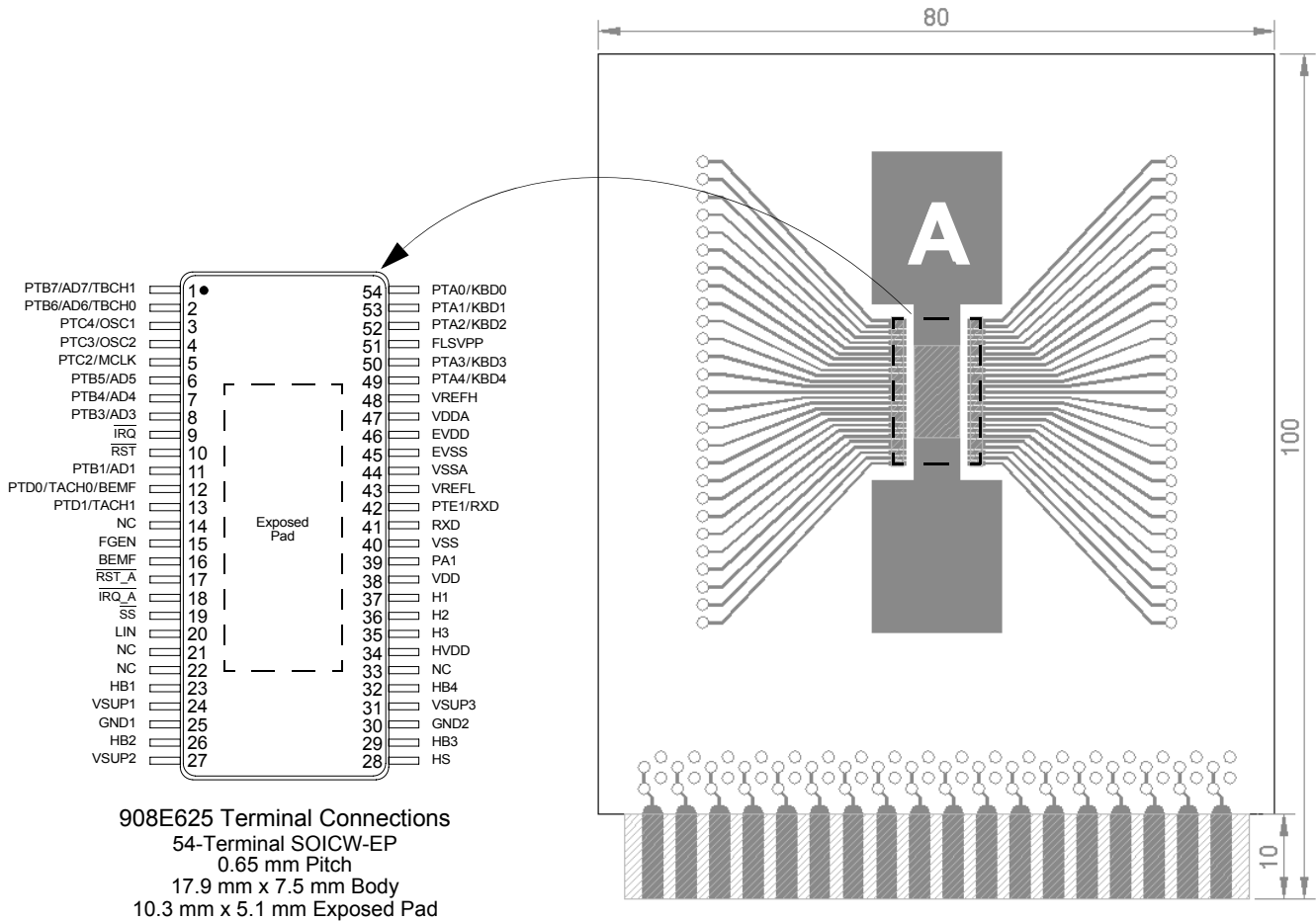


Figure 28. Thermal Test Board

### Device on Thermal Test Board

- Material: Single layer printed circuit board  
FR4, 1.6 mm thickness  
Cu traces, 0.07 mm thickness
- Outline: 80 mm x 100 mm board area,  
including edge connector for thermal testing
- Area A: Cu heat-spreading areas on board surface
- Ambient Conditions: Natural convection, still air

Table 15. Thermal Resistance Performance

Thermal Resistance	Area A (mm <sup>2</sup> )	1 = Power Chip, 2 = Logic Chip (°C/W)		
		<i>m</i> = 1, <i>n</i> = 1	<i>m</i> = 1, <i>n</i> = 2 <i>m</i> = 2, <i>n</i> = 1	<i>m</i> = 2, <i>n</i> = 2
$R_{\theta JA mn}$	0	53	48	53
	300	39	34	38
	600	35	30	34
$R_{\theta JS mn}$	0	21	16	20
	300	15	11	15
	600	14	9.0	13

$R_{\theta JA}$  is the thermal resistance between die junction and ambient air.

$R_{\theta JS mn}$  is the thermal resistance between die junction and the reference location on the board surface near a center lead of the package.

This device is a dual die package. Index *m* indicates the die that is heated. Index *n* refers to the number of the die where the junction temperature is sensed.

### **How to Reach Us:**

**Home Page:**  
[www.freescale.com](http://www.freescale.com)

**E-mail:**  
[support@freescale.com](mailto:support@freescale.com)

**USA/Europe or Locations Not Listed:**  
Freescale Semiconductor  
Technical Information Center, CH370  
1300 N. Alma School Road  
Chandler, Arizona 85224  
+1-800-521-6274 or +1-480-768-2130  
[support@freescale.com](mailto:support@freescale.com)

**Europe, Middle East, and Africa:**  
Freescale Halbleiter Deutschland GmbH  
Technical Information Center  
Schatzbogen 7  
81829 Muenchen, Germany  
+44 1296 380 456 (English)  
+46 8 52200080 (English)  
+49 89 92103 559 (German)  
+33 1 69 35 48 48 (French)  
[support@freescale.com](mailto:support@freescale.com)

**Japan:**  
Freescale Semiconductor Japan Ltd.  
Headquarters  
ARCO Tower 15F  
1-8-1, Shimo-Meguro, Meguro-ku,  
Tokyo 153-0064  
Japan  
0120 191014 or +81 3 5437 9125  
[support.japan@freescale.com](mailto:support.japan@freescale.com)

**Asia/Pacific:**  
Freescale Semiconductor Hong Kong Ltd.  
Technical Information Center  
2 Dai King Street  
Tai Po Industrial Estate  
Tai Po, N.T., Hong Kong  
+800 2666 8080  
[support.asia@freescale.com](mailto:support.asia@freescale.com)

**For Literature Requests Only:**  
Freescale Semiconductor Literature Distribution Center  
P.O. Box 5405  
Denver, Colorado 80217  
1-800-441-2447 or 303-675-2140  
Fax: 303-675-2150  
[LDCForFreescaleSemiconductor@hibbertgroup.com](mailto:LDCForFreescaleSemiconductor@hibbertgroup.com)

Information in this document is provided solely to enable system and software implementers to use Freescale Semiconductor products. There are no express or implied copyright licenses granted hereunder to design or fabricate any integrated circuits or integrated circuits based on the information in this document.

Freescale Semiconductor reserves the right to make changes without further notice to any products herein. Freescale Semiconductor makes no warranty, representation or guarantee regarding the suitability of its products for any particular purpose, nor does Freescale Semiconductor assume any liability arising out of the application or use of any product or circuit, and specifically disclaims any and all liability, including without limitation consequential or incidental damages. "Typical" parameters that may be provided in Freescale Semiconductor data sheets and/or specifications can and do vary in different applications and actual performance may vary over time. All operating parameters, including "Typicals", must be validated for each customer application by customer's technical experts. Freescale Semiconductor does not convey any license under its patent rights nor the rights of others. Freescale Semiconductor products are not designed, intended, or authorized for use as components in systems intended for surgical implant into the body, or other applications intended to support or sustain life, or for any other application in which the failure of the Freescale Semiconductor product could create a situation where personal injury or death may occur. Should a Buyer purchase or use Freescale Semiconductor products for any such unintended or unauthorized application, the Buyer shall indemnify and hold Freescale Semiconductor and its officers, employees, subsidiaries, affiliates, and distributors harmless against all claims, costs, damages, and expenses, and reasonable attorney fees arising out of, directly or indirectly, any claim of personal injury or death associated with such unintended or unauthorized use, even if such claim alleges that Freescale Semiconductor was negligent regarding the design or manufacture of the part.

Freescale™ and the Freescale logo are trademarks of Freescale Semiconductor, Inc. All other product or service names are the property of their respective owners.

© Freescale Semiconductor, Inc., 2005. All rights reserved.

