

查询"CTSD25F-330M"供应商

CTSD25F Series

From 0.47 μH to 1000 μH

SPECIFICATIONS

Parts are available in $\pm 20\%$ tolerance only.
 *I_{rms}: Average current for 40°C temp. rise from 25°C ambient.
 **I_{sat}: DC current at which the inductance drops 30% typ. from its value without current.



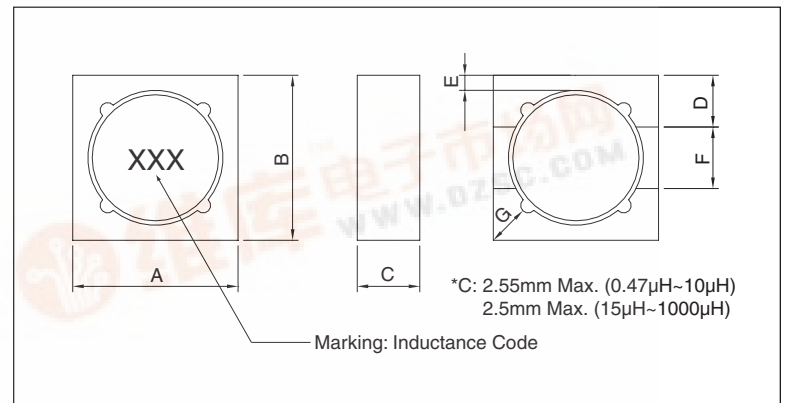
Part Number	Inductance ($\mu\text{H} \pm 20\%$)	L Test Freq. (KHz)	DCR Max. (Ω)	*I _{rms} Max. (A)	**I _{sat} Max. (A)
CTSD25F-R47M	0.47	100	0.0221	3.88	6.00
CTSD25F-R82M	0.82	100	0.0260	3.58	4.67
CTSD25F-1R2M	1.20	100	0.0300	3.33	3.81
CTSD25F-1R5M	1.50	100	0.0343	3.12	3.23
CTSD25F-2R2M	2.20	100	0.0389	2.93	2.80
CTSD25F-3R3M	3.30	100	0.0480	2.64	2.21
CTSD25F-4R7M	4.70	100	0.0584	2.39	1.83
CTSD25F-6R2M	6.20	100	0.0695	2.19	1.56
CTSD25F-8R2M	8.20	100	0.0905	1.92	1.45
CTSD25F-100M	10.0	100	0.1030	1.80	1.27
CTSD25F-150M	15.0	100	0.1195	1.67	1.08
CTSD25F-220M	22.0	100	0.1848	1.34	0.857
CTSD25F-330M	33.0	100	0.2686	1.11	0.711
CTSD25F-470M	47.0	100	0.3945	0.919	0.592
CTSD25F-680M	68.0	100	0.6063	0.741	0.482
CTSD25F-820M	82.0	100	0.6553	0.713	0.441
CTSD25F-101M	100	100	0.7421	0.670	0.398
CTSD25F-151M	150	100	1.0904	0.553	0.328
CTSD25F-221M	220	100	1.6750	0.446	0.268
CTSD25F-331M	330	100	2.5875	0.359	0.129
CTSD25F-471M	470	100	3.8750	0.293	0.184
CTSD25F-681M	680	100	4.8500	0.262	0.154
CTSD25F-821M	820	100	6.3000	0.230	0.139
CTSD25F-102M	1000	100	7.1250	0.216	0.126

CHARACTERISTICS

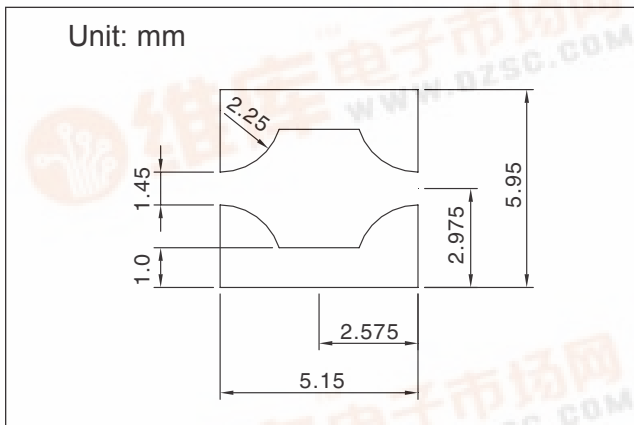
- Description:** SMD (shielded) power inductor
- Applications:** Digital cameras, CD players, cellular phones, PDAs, PCMCIA cards, GPS systems, etc.
- Operating Temperature:** -40°C to +85°C
- Inductance Tolerance:** $\pm 20\%$
- Testing:** Tested on a HP4285A at 100 KHz
- Packaging:** Tape & Reel
- Marking:** Parts are marked with inductance code
- Miscellaneous:** RoHS Compliant.
- Additional Information:** Additional electrical & physical information available upon request
- Samples available.** See website for ordering information.

PHYSICAL DIMENSIONS

Size	A Max.	B Max.	C Max.	D Typ.	E Ref.	F Ref.	G Ref.
mm	5.2	5.2	See	1.5	0.6	1.8	1.2
inches	0.205	0.205	Below	0.059	0.024	0.071	0.047



PAD LAYOUT



07.17.08

Manufacturer of Passive and Discrete Semiconductor Components
800-684-5322 Inside US **949-453-1811** Outside US

Copyright © 2008 by CT Magnetics, DBA Central Technologies. All rights reserved.

CT Magnetics reserves the right to make improvements or change specifications without notice

