

[查询"MPC17533EV"供应商](#)



0.7 A 6.8 V Dual H-Bridge Motor Driver

The 17533 is a monolithic dual H-Bridge power IC ideal for portable electronic applications containing bipolar stepper motors and/or brush DC-motors (e.g., cameras and disk drive head positioners).

The 17533 operates from 2.0 V to 6.8 V, with independent control of each H-Bridge via parallel MCU interface (3.0 V- and 5.0 V-compatible logic). The device features built-in shoot-through current protection and an undervoltage shutdown function.

The 17533 has four operating modes: Forward, Reverse, Brake, and Tri-States (High Impedance). The 17533 has a low total $R_{DS(ON)}$ of 1.2 Ω (max @ 25°C).

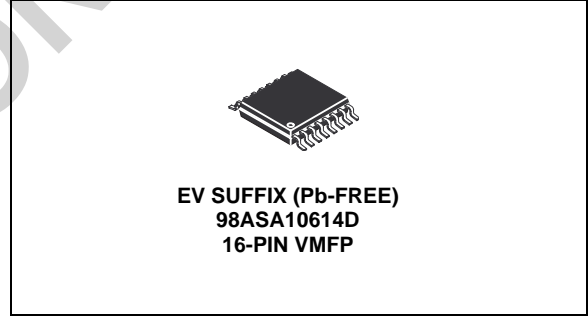
The 17533's low output resistance and high slew rates provide efficient drive for many types of micromotors.

Features

- Low Total $R_{DS(ON)}$ 0.8 Ω (Typ), 1.2 Ω (Max) @ 25°C
- Output Current 0.7 A (DC), 1.4 A (Peak)
- Shoot-Through Current Protection Circuit
- 3.0 V/5.0 V CMOS-Compatible Inputs
- PWM Control Input Frequency up to 200 kHz
- Built-In 2-Channel H-Bridge Driver
- Low Power Consumption
- Undervoltage Detection and Shutdown Circuit
- Pb-Free Packaging Designated by Suffix Code EV

17533

H-BRIDGE MOTOR DRIVER



ORDERING INFORMATION		
Device	Temperature Range (T _A)	Package
MPC17533EV/EL	-20°C to 65°C	16 VMFP

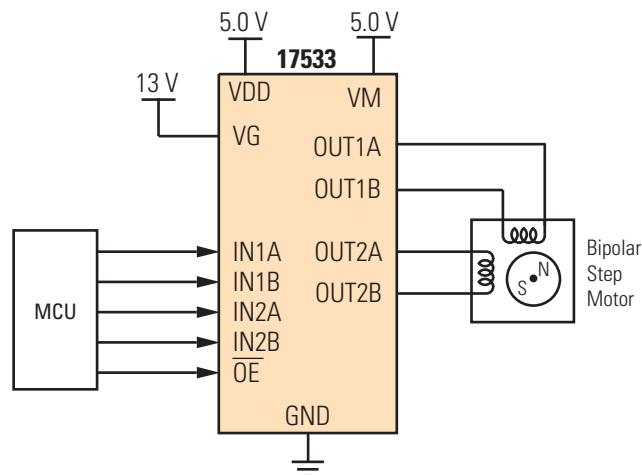


Figure 1. 17533 Simplified Application Diagram

* This document contains certain information on a new product. Specifications and information herein are subject to change without notice.

[查询"MPC17533EV"供应商](#)

INTERNAL BLOCK DIAGRAM

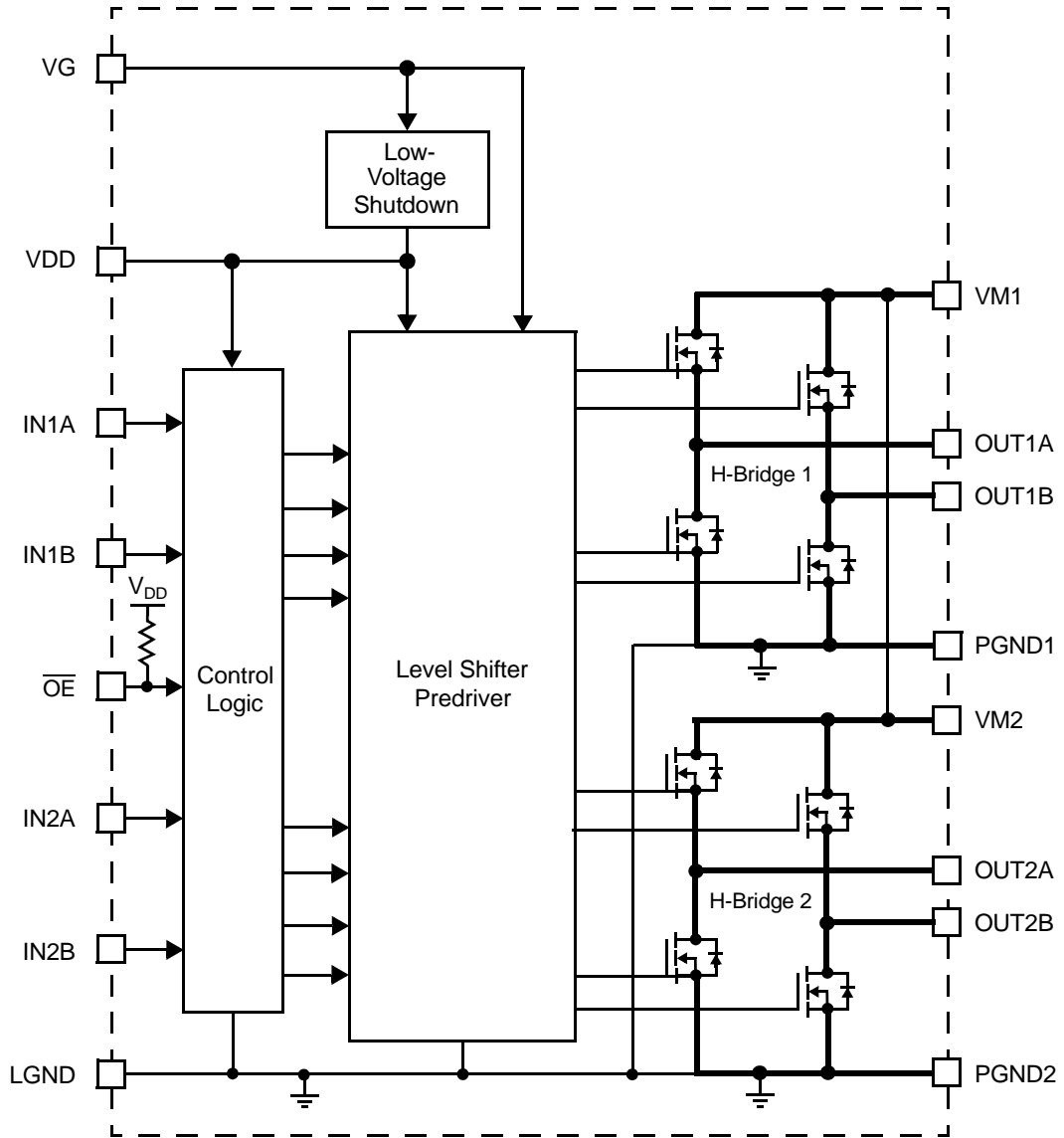


Figure 2. 17533 Simplified Internal Block Diagram

[查询"MPC17533EV"供应商](#)

PIN CONNECTIONS

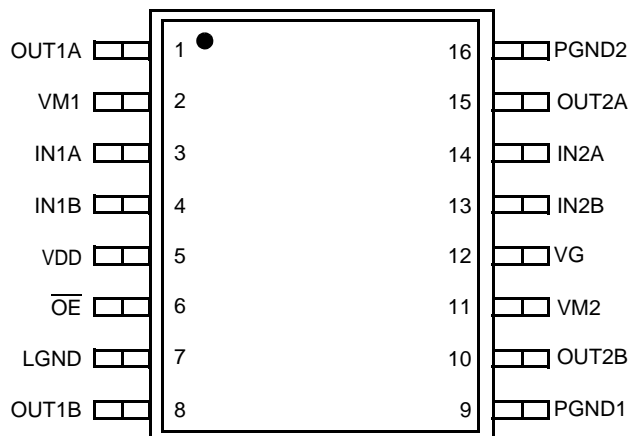


Figure 3. 17533 Pin Connections

Table 1. PIN Function Description

Pin	Pin Name	Formal Name	Definition
1	OUT1A	H-Bridge Output 1A	Output A of H-Bridge channel 1.
2	VM1	Motor Drive Power Supply 1	Positive power source connection for H-Bridge 1 (Motor Drive Power Supply).
3	IN1A	Logic Input Control 1A	Logic input control of OUT1A (refer to Table 5. Truth Table , page Z).
4	IN1B	Logic Input Control 1B	Logic input control of OUT1B (refer to Table 5. Truth Table , page Z).
5	VDD	Logic Supply	Control circuit power supply pin.
6	\overline{OE}	Output Enable	Logic output Enable control of H-Bridges (Low = True).
7	LGND	Logic Ground	Low-current logic signal ground.
8	OUT1B	H-Bridge Output 1B	Output B of H-Bridge channel 1.
9	PGND1	Power Ground 1	High-current power ground 1.
10	OUT2B	H-Bridge Output 2B	Output B of H-Bridge channel 2.
11	VM2	Motor Drive Power Supply 2	Positive power source connection for H-Bridge 2 (Motor Drive Power Supply).
12	VG	Gate Driver Circuit Voltage Input	Input pin for the gate drive voltage.
13	IN2B	Logic Input Control 2B	Logic input control of OUT2B (refer to Table 5. Truth Table , page Z).
14	IN2A	Logic Input Control 2A	Logic input control of OUT2A (refer to Table 5. Truth Table , page Z).
15	OUT2A	H-Bridge Output 2A	Output A of H-Bridge channel 2.
16	PGND2	Power Ground 2	High-current power ground 2.

[查询"MPC17533EV"供应商](#)

ELECTRICAL CHARACTERISTICS

MAXIMUM RATINGS

Table 2. Maximum Ratings

All voltages are with respect to ground unless otherwise noted. Exceeding the ratings may cause a malfunction or permanent damage to the device.

Rating	Symbol	Value	Unit
Motor Supply Voltage	V_M	-0.5 to 8.0	V
Gate Driver Circuit Power Supply Voltage	V_G	-0.5 to 14	V
Logic Supply Voltage	V_{DD}	-0.5 to 7.0	V
Signal Input Voltage	V_{IN}	-0.5 to $V_{DD}+0.5$	V
Driver Output Current			A
Continuous	I_O	0.7	
Peak ⁽¹⁾	I_{OPK}	1.4	
ESD Voltage ⁽²⁾			V
Human Body Model	V_{ESD1}	±1500	
Machine Model	V_{ESD2}	±200	
Operating Junction Temperature	T_J	-55 to 150	°C
Operating Ambient Temperature	T_A	-20 to 65	°C
Storage Temperature Range	T_{STG}	-55 to 150	°C
Thermal Resistance ⁽³⁾	$R_{\theta JA}$	150	°C/W
Power Dissipation ⁽⁴⁾	P_D	830	mW
Pin Soldering Temperature ⁽⁵⁾	T_{SOLDER}	260	°C

Notes

- $T_A = 25^\circ\text{C}$. 10 ms pulse at 200 ms intervals.
- ESD1 testing is performed in accordance with the Human Body Model ($C_{ZAP} = 100 \text{ pF}$, $R_{ZAP} = 1500 \ \Omega$), ESD2 testing is performed in accordance with the Machine Model ($C_{ZAP} = 200 \text{ pF}$, $R_{ZAP} = 0 \ \Omega$).
- Mounted on 37 mm x 50 mm x 1.6 mm glass epoxy board mount.
- $T_A = 25^\circ\text{C}$.
- Pin soldering temperature limit is for 10 seconds maximum duration. Not designed for immersion soldering. Exceeding these limits may cause malfunction or permanent damage to the device.

[查询"MPC17533EV"供应商](#)

STATIC ELECTRICAL CHARACTERISTICS

Table 3. Static Electrical Characteristics

Characteristics noted under conditions $T_A = 25^\circ\text{C}$, $V_{DD} = V_M = 5.0\text{ V}$, $\text{GND} = 0\text{ V}$ unless otherwise noted. Typical values noted reflect the approximate parameter means at $T_A = 25^\circ\text{C}$ under nominal conditions unless otherwise noted.

Characteristic	Symbol	Min	Typ	Max	Unit
POWER					
Motor Supply Voltage	V_M	2.0	5.0	6.8	V
Logic Supply Voltage	V_{DD}	2.7	5.0	5.7	V
Quiescent Power Supply Current					μA
Driver Circuit Power Supply Current	I_{QM}	–	–	1.0	
Logic Supply Current ⁽⁶⁾	I_{QVDD}	–	–	20	
Gate Driver Circuit Power Supply Current	I_{QVG}	–	–	150	
Operating Power Supply Current					mA
Logic Supply Current ⁽⁷⁾	I_{VDD}	–	–	3.0	
Gate Driver Circuit Power Supply Current ⁽⁸⁾	I_{VG}	–	–	0.7	
Low V_{DD} Detection Voltage ⁽⁹⁾	$V_{DD\text{ DET}}$	1.5	2.0	2.5	V
Driver Output ON Resistance					Ω
Source+Sink at $I_O = 0.7\text{ A}$ ⁽¹⁰⁾	$R_{DS(ON)}$	–	0.8	1.2	
$V_G = 9.5\text{ V}$, $V_M = 5.0\text{ V}$, $T_A = 25^\circ\text{C}$ ⁽¹¹⁾	$R_{DS(ON)2}$	–	–	1.5	
GATE DRIVE					
Gate Drive Circuit Power Supply Voltage	V_G	12	13	13.5	V
CONTROL LOGIC					
Logic Input Voltage	V_{IN}	0	–	V_{DD}	V
Logic Inputs ($2.7\text{ V} < V_{DD} < 5.7\text{ V}$)					
High-Level Input Voltage	V_{IH}	$V_{DD} \times 0.7$	–	–	V
Low-Level Input Voltage	V_{IL}	–	–	$V_{DD} \times 0.3$	V
High-Level Input Current	I_{IH}	–	–	1.0	μA
Low-Level Input Current	I_{IL}	-1.0	–	–	μA
$\overline{\text{OE}}$ Pin Input Current Low	$I_{IL-\overline{\text{OE}}}$	–	50	100	μA

Notes

- I_{QVDD} includes the current to predriver circuit.
- I_{VDD} includes the current to predriver circuit at $f_{IN} = 100\text{ kHz}$.
- At $f_{IN} = 20\text{ kHz}$.
- Detection voltage is defined as when the output becomes high-impedance after V_{DD} drops below the detection threshold. When gate voltage V_G is applied from an external source, $V_G = 7.5\text{ V}$.
- The total H-Bridge ON resistance when V_G is 13V.
- Increased $R_{DS(ON)}$ value as the result of a reduced V_G value of 9.5 V.

[查询"MPC17533EV"供应商](#)

DYNAMIC ELECTRICAL CHARACTERISTICS

Table 4. Dynamic Electrical Characteristics

Characteristics noted under conditions $T_A = 25^\circ\text{C}$, $V_{DD} = V_M = 5.0\text{ V}$, $\text{GND} = 0\text{ V}$ unless otherwise noted.

Characteristic	Symbol	Min	Typ	Max	Unit
INPUT					
Pulse Input Frequency	f_{IN}	–	–	200	kHz
Input Pulse Rise Time ⁽¹²⁾	t_R	–	–	1.0 (13)	μs
Input Pulse Fall Time ⁽¹⁴⁾	t_F	–	–	1.0 (13)	μs
OUTPUT					
Propagation Delay Time ⁽¹⁵⁾					μs
Turn-ON Time	t_{PLH}	–	0.1	0.5	
Turn-OFF Time	t_{PHL}	–	0.1	0.5	
Low-Voltage Detection Time ⁽¹⁶⁾	$t_{V_{DD} \text{ DET}}$	–	–	10	ms

Notes

12. Time is defined between 10% and 90%.
13. That is, the input waveform slope must be steeper than this.
14. Time is defined between 90% and 10%.
15. Load of Output is $8.0\ \Omega$ resistance. see figure 4
16. See figure 5.

[查询"MPC17533EV"供应商](#)

TIMING DIAGRAMS

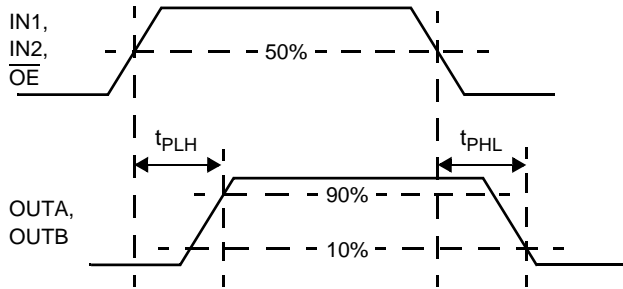


Figure 4. t_{PLH} , t_{PHL} , and t_{PZH} Timing

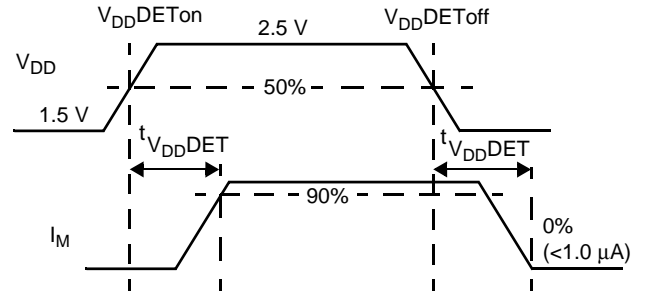


Figure 5. Low-Voltage Detection Timing Diagram

Table 5. Truth Table

INPUT			OUTPUT	
\overline{OE}	IN1A IN2A	IN1B IN2B	OUT1A OUT2A	OUT1B OUT2B
L	L	L	L	L
L	H	L	H	L
L	L	H	L	H
L	H	H	Z	Z
H	X	X	Z	Z

H = High.
L = Low.
Z = High impedance.
X = Don't care.
 \overline{OE} pin is pulled up to V_{DD} with internal resistance.

[查询"MPC17533EV"供应商](#)

FUNCTIONAL DESCRIPTION

INTRODUCTION

The 17533 is a monolithic dual H-Bridge ideal for portable electronic applications to control bipolar stepper motors and brush DC motors such as those found in camera lens assemblies, camera shutters, optical disk drives, etc.

The 17533 operates from 2.0 V to 6.8 V, with independent control of each H-Bridge via parallel MCU interface (3.0 V- and 5.0 V-compatible I/O). The device features built-in shoot-through current protection and undervoltage shutdown.

The 17533 has four operating modes: Forward, Reverse, Brake, and Tri-States (High Impedance). The MOSFETs comprising the output bridge have a total source + sink $R_{DS(ON)} \leq 1.2 \Omega$.

The 17533 can simultaneously drive two brush DC motors or, as shown in the simplified application diagram on page 1, one bipolar stepper motor. The drivers are designed to be PWM'ed at frequencies up to 200 kHz.

FUNCTIONAL PIN DESCRIPTION

LOGIC SUPPLY (VDD)

The VDD pin carries the logic supply voltage and current into the logic sections of the IC. VDD has an undervoltage threshold. If the supply voltage drops below the undervoltage threshold, the output power stage switches to a tri-state condition. When the supply voltage returns to a level that is above the threshold, the power stage automatically resumes normal operation according to the established condition of the input control pins.

LOGIC INPUT CONTROL (IN1A, IN1B, IN2A, AND IN2B)

These logic input pins control each H-Bridge output (e.g., IN1A logic HIGH = OUT1A HIGH, etc.). However, if all inputs are taken HIGH, the outputs bridges are both tri-stated (refer to [Table 5, Truth Table](#), page 7).

OUTPUT ENABLE (\overline{OE})

The \overline{OE} pin is a LOW = TRUE enable input. When \overline{OE} = HIGH, all H-Bridge outputs (OUT1A, OUT1B, OUT2A, and OUT2B) are tri-stated (high-impedance), regardless of logic inputs (IN1A, IN1B, IN2A, and IN2B) states.

OUTPUT A AND B OF H-BRIDGE CHANNEL 1 AND 2 (OUT1A, OUT1B, OUT2A, AND OUT2B)

These pins provide connection to the outputs of each of the internal H-Bridges (see [Figure 2, 17533 Simplified Internal Block Diagram](#), page 2).

MOTOR DRIVE POWER SUPPLY (VM1 AND VM2)

The VM pins carry the main supply voltage and current into the power sections of the IC. This supply then becomes controlled and/or modulated by the IC as it delivers the power to the loads attached between the output pins. All VM pins must be connected together on the printed circuit board.

GATE DRIVER CIRCUIT VOLTAGE INPUT (VG)

The VG pin is the input pin for the gate drive voltage.

POWER GROUND (PGND)

Power ground pins. They must be tied together on the PCB.

LOGIC GROUND (LGND)

Logic ground pin.

[查询"MPC17533EV"供应商](#)

TYPICAL APPLICATIONS

INTRODUCTION

Figure 6 shows a typical application for the 17533. When applying the gate voltage to the VG pin from an external source, be sure to connect it via a resistor equal to, or greater than, $R_G = V_G/0.02 \Omega$.

Care must be taken to provide sufficient gate-source voltage for the high-side MOSFETs when $V_M \gg V_{DD}$ (e.g., $V_M = 5.0 \text{ V}$, $V_{DD} = 3.0 \text{ V}$), in order to ensure full enhancement of the high-side MOSFET channels.

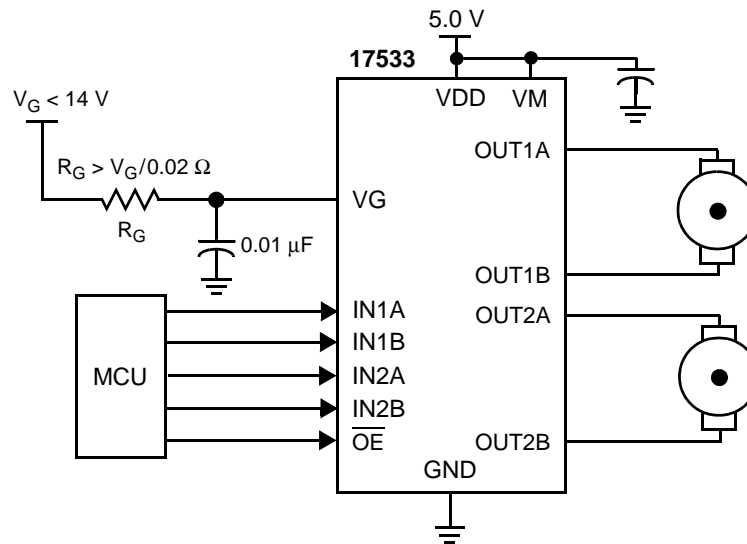


Figure 6. 17533 Typical Application Diagram

CEMF SNUBBING TECHNIQUES

Care must be taken to protect the IC from potentially damaging CEMF spikes induced when commuting currents in inductive loads. Typical practice is to provide snubbing of voltage transients by placing a zener or a capacitor at the supply pin (VM) (see Figure 7).

PCB LAYOUT

When designing the printed circuit board (PCB), connect sufficient capacitance between power supply and ground pins to ensure proper filtering from transients. For all high-current paths, use wide copper traces and shortest possible distances.

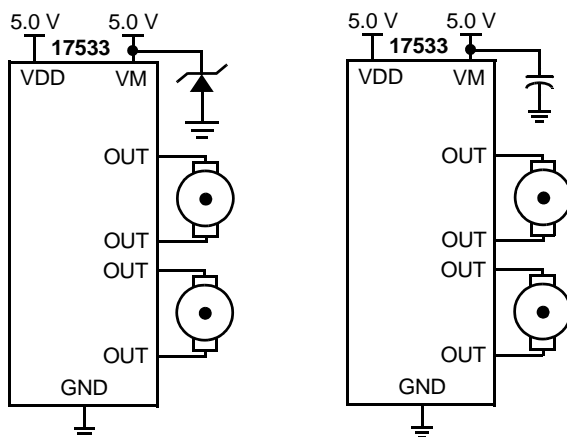


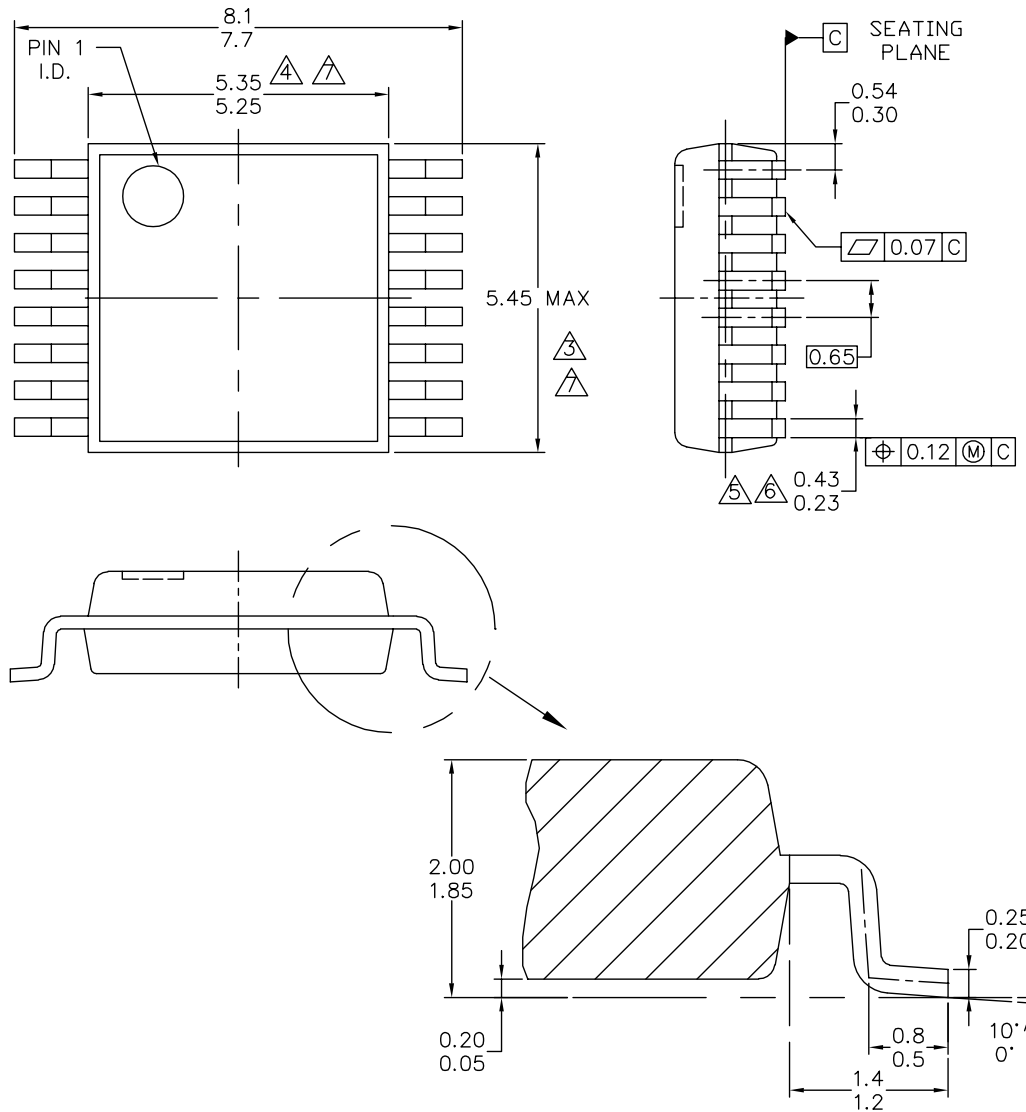
Figure 7. CEMF Snubbing Techniques

[查询"MPC17533EV"供应商](#)

PACKAGING

PACKAGE DIMENSIONS

Important: For the most current revision of the package, visit www.freescale.com and perform a keyword search on the 98A number listed below.



© FREESCALE SEMICONDUCTOR, INC. ALL RIGHTS RESERVED.	MECHANICAL OUTLINE	PRINT VERSION NOT TO SCALE	
TITLE: 16LD VMFP, 5.30 X 5.45 PKG 0.65 PITCH CASE OUTLINE	DOCUMENT NO: 98ASA10614D	REV: B	
	CASE NUMBER: 1563-01	27 MAY 2005	
	STANDARD: NON-JEDEC		

EV (Pb-FREE) SUFFIX
16-LEAD VMFP
PLASTIC PACKAGE
98ASA10614D
ISSUE B

[查询"MPC17533EV"供应商](#)**REVISION HISTORY**

REVISION	DATE	DESCRIPTION OF CHANGES
2.0	5/2006	<ul style="list-style-type: none">• Converted to Freescale format• Added Revision History page
3.0	7/2006	<ul style="list-style-type: none">• Updated to the prevailing form and style• Corrected device isometric drawing on page 1• Added RoHS compliance

[查询"MPC17533EV"供应商](#)

How to Reach Us:

Home Page:

www.freescale.com

E-mail:

support@freescale.com

USA/Europe or Locations Not Listed:

Freescale Semiconductor
Technical Information Center, CH370
1300 N. Alma School Road
Chandler, Arizona 85224
+1-800-521-6274 or +1-480-768-2130
support@freescale.com

Europe, Middle East, and Africa:

Freescale Halbleiter Deutschland GmbH
Technical Information Center
Schatzbogen 7
81829 Muenchen, Germany
+44 1296 380 456 (English)
+46 8 52200080 (English)
+49 89 92103 559 (German)
+33 1 69 35 48 48 (French)
support@freescale.com

Japan:

Freescale Semiconductor Japan Ltd.
Headquarters
ARCO Tower 15F
1-8-1, Shimo-Meguro, Meguro-ku,
Tokyo 153-0064
Japan
0120 191014 or +81 3 5437 9125
support.japan@freescale.com

Asia/Pacific:

Freescale Semiconductor Hong Kong Ltd.
Technical Information Center
2 Dai King Street
Tai Po Industrial Estate
Tai Po, N.T., Hong Kong
+800 2666 8080
support.asia@freescale.com

For Literature Requests Only:

Freescale Semiconductor Literature Distribution Center
P.O. Box 5405
Denver, Colorado 80217
1-800-441-2447 or 303-675-2140
Fax: 303-675-2150
LDCForFreescaleSemiconductor@hibbertgroup.com

Information in this document is provided solely to enable system and software implementers to use Freescale Semiconductor products. There are no express or implied copyright licenses granted hereunder to design or fabricate any integrated circuits or integrated circuits based on the information in this document.

Freescale Semiconductor reserves the right to make changes without further notice to any products herein. Freescale Semiconductor makes no warranty, representation or guarantee regarding the suitability of its products for any particular purpose, nor does Freescale Semiconductor assume any liability arising out of the application or use of any product or circuit, and specifically disclaims any and all liability, including without limitation consequential or incidental damages. "Typical" parameters that may be provided in Freescale Semiconductor data sheets and/or specifications can and do vary in different applications and actual performance may vary over time. All operating parameters, including "Typicals", must be validated for each customer application by customer's technical experts. Freescale Semiconductor does not convey any license under its patent rights nor the rights of others. Freescale Semiconductor products are not designed, intended, or authorized for use as components in systems intended for surgical implant into the body, or other applications intended to support or sustain life, or for any other application in which the failure of the Freescale Semiconductor product could create a situation where personal injury or death may occur. Should Buyer purchase or use Freescale Semiconductor products for any such unintended or unauthorized application, Buyer shall indemnify and hold Freescale Semiconductor and its officers, employees, subsidiaries, affiliates, and distributors harmless against all claims, costs, damages, and expenses, and reasonable attorney fees arising out of, directly or indirectly, any claim of personal injury or death associated with such unintended or unauthorized use, even if such claim alleges that Freescale Semiconductor was negligent regarding the design or manufacture of the part.

Freescale™ and the Freescale logo are trademarks of Freescale Semiconductor, Inc. All other product or service names are the property of their respective owners.

© Freescale Semiconductor, Inc., 2006. All rights reserved.