

Type: CS-4, CS-4N

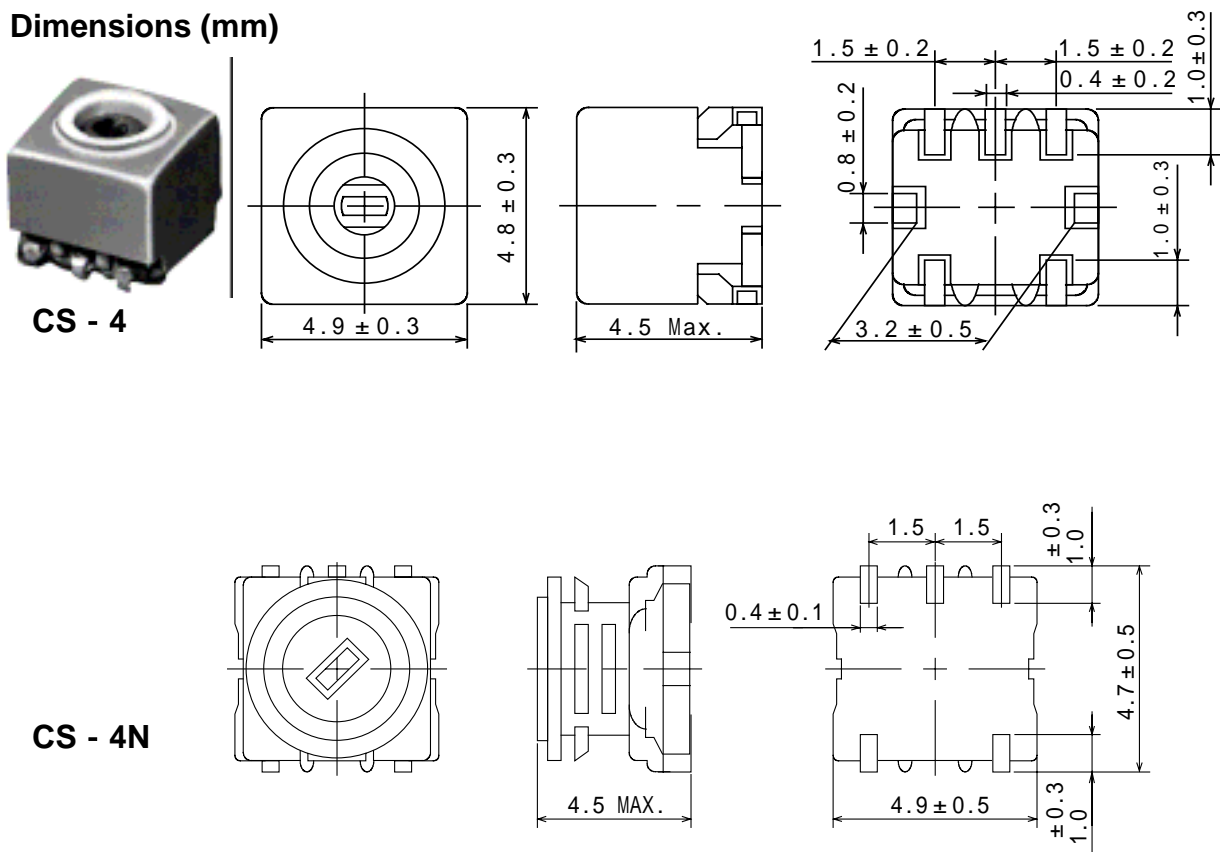
Product Description

- 5.2 × 5.1mm Max.(L × W), 4.5mm Max. Height. (CS-4)
- 5.4 × 5.2mm Max.(L × W), 4.5mm Max. Height. (CS-4N)
- Inductance: 1.0 μ H Max.
- Operating frequency:300MHz Max.
- In addition to the reference versions of parameters shown here,custom designs are available to meet your exact requirements

Feature

- Variable type.
- Both shielded(CS-4) and unshielded(CS-4N) types are available.
- RoHS Compliance

Dimensions (mm)

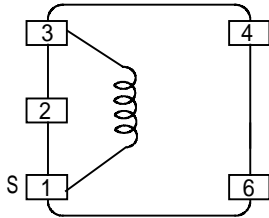


- * Dimension does not include solder used on coil.
- * Pin pitch should be measured at the root of terminal.
- * Dimensions without tolerance are approx.

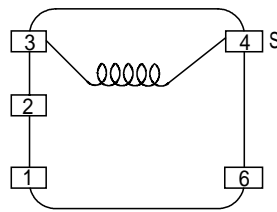
Type: CS-4, CS-4N

Connection (Bottom View)

CS-4



CS-4N



“ S ” is winding start.

Specification (CS-4) (Part No. 5202-T293)

Item	(1 - 3)	Measuring Condition
Tuning capacitance	11.5 p F ±2% Within	1 0 0 M H z
Unloaded Qu	35 Min.	1 0 0 M H z

Specification(CS-4N) (Part No. 5203-T045)

Item	(3 - 4)	Measuring Condition
Tuning capacitance	54.3 p F ± 1 % Within	1 0 0 M H z
Unloaded Qu	45 Min.	1 0 0 M H z