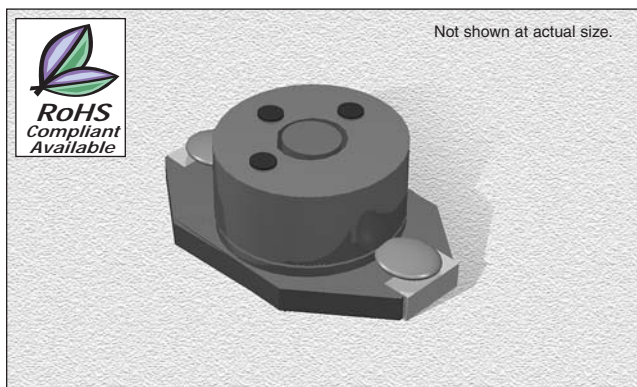


查询"CTDT3316P-332"供应商

CTDT3316 Series

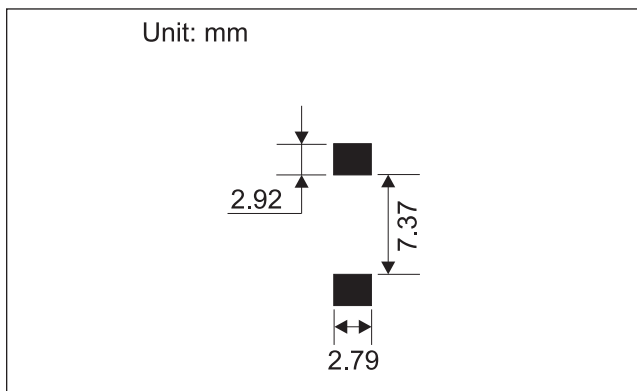
From 1.0 μH to 1,000 μH



CHARACTERISTICS

- Description:** SMD (shielded) power inductor
- Applications:** Ideal for high performance DC/DC converter applications, computers, LCD displays and telecommunication equipment. Especially those requiring shielding
- Operating Temperature:** -40°C to +85°C
- Inductance Tolerance:** $\pm 20\%$
- Testing:** Inductance is tested on an HP4285A at 100 kHz
- Packaging:** Tape & Reel
- Marking:** Color dots OR Suffix Code
- Miscellaneous:** **RoHS Compliant available.** Magnetically shielded
- Additional Information:** Higher current parts available. Additional electrical & physical information available upon request
- Samples available.** See website for ordering information.

PAD LAYOUT



SPECIFICATIONS

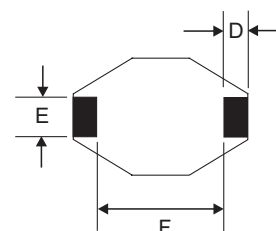
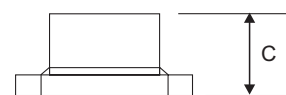
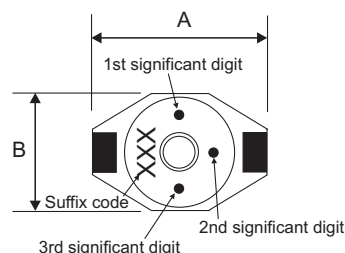
Parts are available in $\pm 20\%$ tolerance only.
CTDT3316PE Please specify "F" for RoHS Compliant

Part Number	SPECIFICATIONS			SPECIFICATIONS					
	0 ADC Inductance ($\mu\text{H} \pm 20\%$)	DCR Max. (Ω)	SRF Typ. (MHz)	Inductance Rating (μH)	L Test Freq. (kHz)	Current Rating (A)	Max. Energy Storage (μJoules)	Max. Switch Freq.	
CTDT3316P_-102	1.0	.025	60	.50	100	5.0	9.0	1 MHz	
CTDT3316P_-152	1.5	.030	55	.70	100	5.0	12	1 MHz	
CTDT3316P_-222	2.2	.035	55	1.0	100	5.0	15	1 MHz	
CTDT3316P_-332	3.3	.040	50	1.5	100	5.0	16	1 MHz	
CTDT3316P_-472	4.7	.045	45	2.0	100	3.0	10	1 MHz	
CTDT3316P_-682	6.8	.050	40	4.0	100	2.5	14	1 MHz	
CTDT3316P_-103	10	.055	35	5.0	100	2.0	11	1 MHz	
CTDT3316P_-153	15	.060	25	6.0	100	1.8	12	1 MHz	
CTDT3316P_-223	22	.084	22	10	100	1.5	11	1 MHz	
CTDT3316P_-333	33	.090	18	12	100	1.3	13	1 MHz	
CTDT3316P_-473	47	.110	16	27	100	1.0	13	1 MHz	
CTDT3316P_-683	68	.150	12	40	100	.90	17	1 MHz	
CTDT3316P_-104	100	.290	9	50	100	.80	15	1 MHz	
CTDT3316P_-154	150	.360	8	80	100	.60	15	500 kHz	
CTDT3316P_-224	220	.390	6	90	100	.50	10	500 kHz	
CTDT3316P_-334	330	.730	5	150	100	.40	13	500 kHz	
CTDT3316P_-474	470	.880	4	200	100	.35	13	500 kHz	
CTDT3316P_-684	680	1.15	3	300	100	.30	13	500 kHz	
CTDT3316P_-105	1000	1.45	2.5	420	100	.25	13	500 kHz	

PHYSICAL DIMENSIONS

Size	A Max.	B Max.	C Max.	D	E	F
mm	12.95	9.4	5.08	2.54	2.54	7.62
inches	0.51	0.37	0.2	0.1	0.1	0.3

Parts will be marked with Significant Digit Dots or Suffix Code



11.17.05