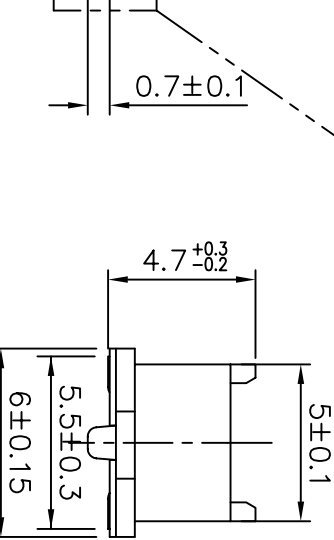
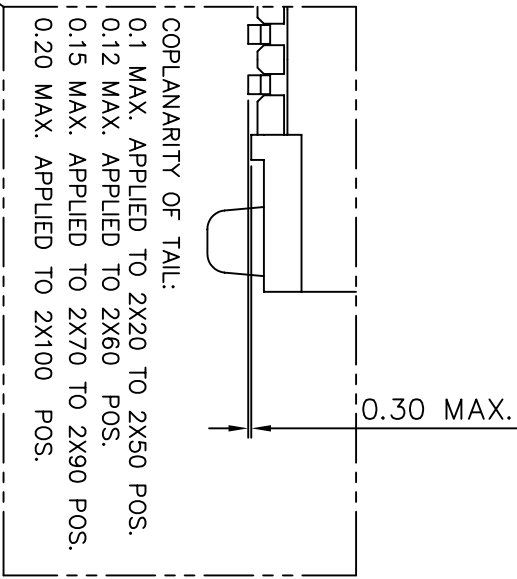
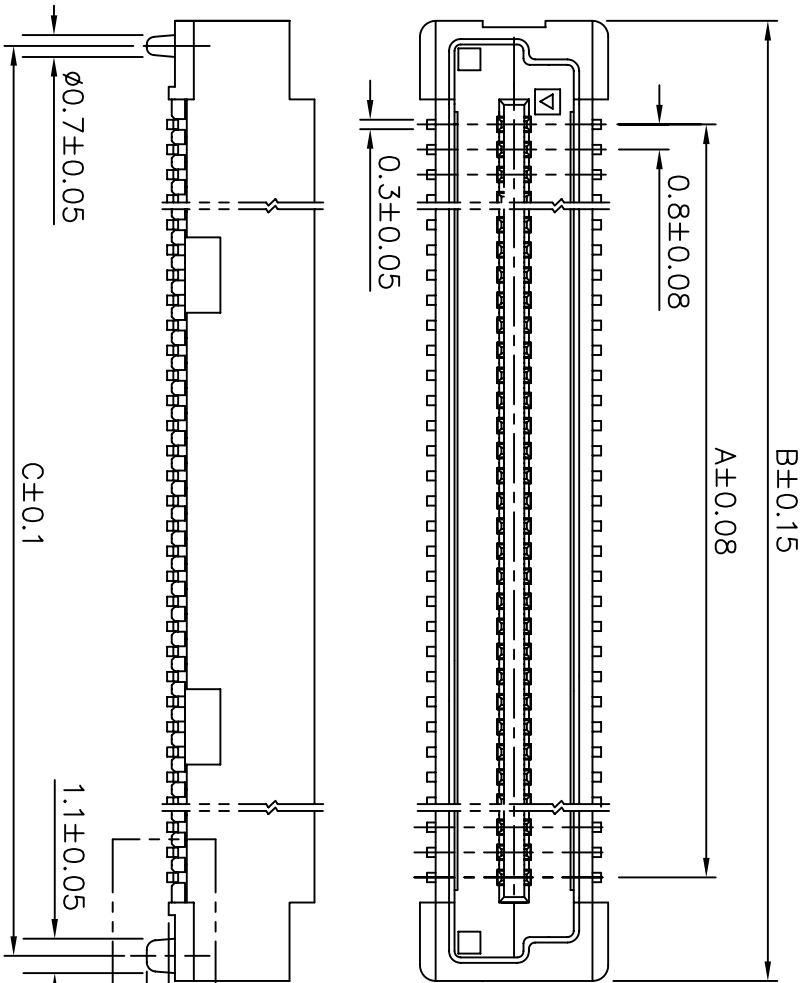




PRODUCT NO.	NUMBER OF POSITIONS	DIMENSION		
		A	B	C
61083-041***	2 X20	15.2	21.8	20.2
61083-061***	2 X30	23.2	29.8	28.2
61083-081***	2 X40	31.2	37.8	36.2
61083-101***	2 X50	39.2	45.8	44.2
61083-121***	2 X60	47.2	53.8	52.2
61083-141***	2 X70	55.2	61.8	60.2
61083-161***	2 X80	63.2	69.8	68.2
61083-181***	2 X90	71.2	77.8	76.2
61083-201***	2 X100	79.2	85.8	84.2



PLUG 1

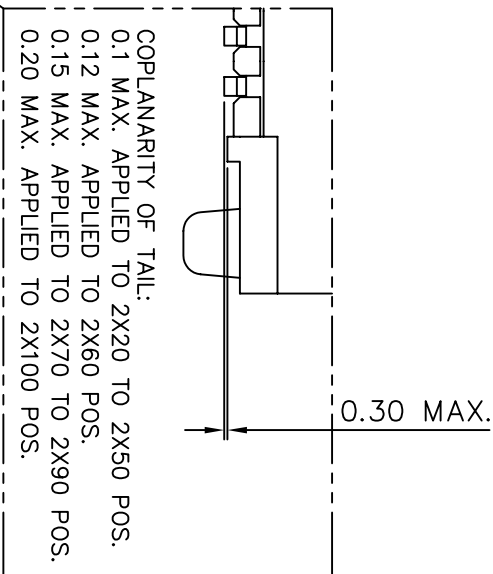
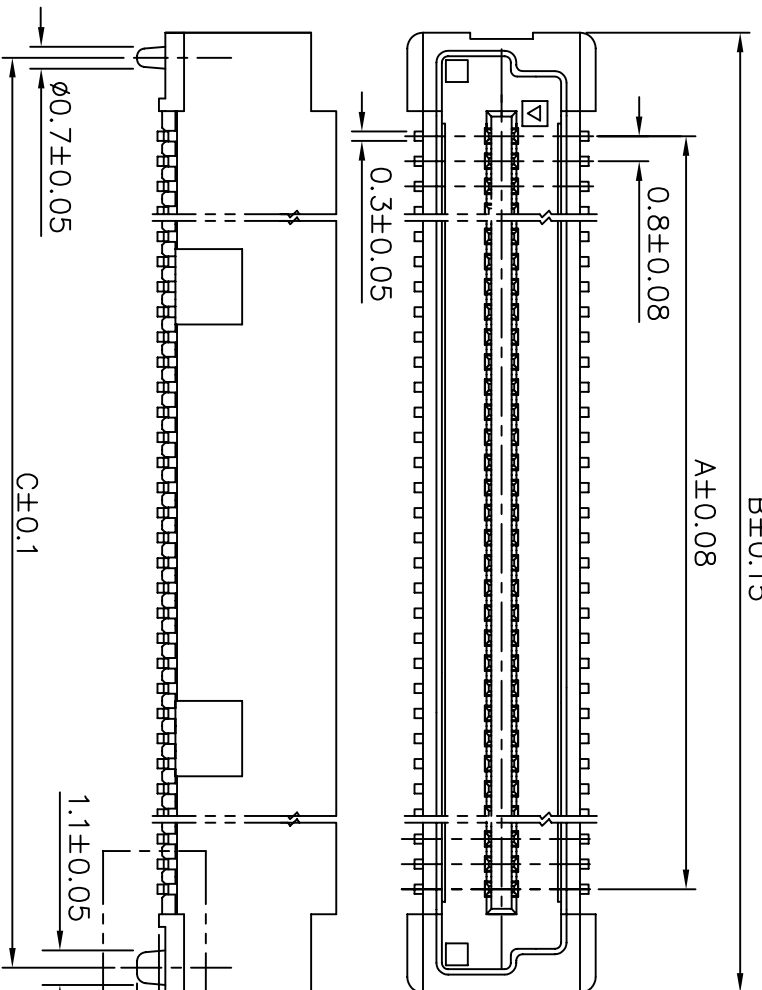
查询"1812PS-272_L"供应商

mat'l. code		surface		tolerance		projection		product family	
lfr	ecn no	dr	date	tolerance unless otherwise specified	angles	projection	scale	title	product family
R	S07-0166	MCH	2007-05-18	XXX±0.15	0±2°	MM	4:1	0.8mm BOARD TO BOARD PLUG ASSY	BERGSTAK
dr	MAGGLE_WU	1999-03-26		XXX±0.10					
engr	YU_WEN_CHU	1999-03-26							
chr	MACHONG	2007-05-18							
dppd	JOEY_NG	2007-05-18							

sheet index	revision	sheet

sheet no 61083
 sheet 2 of 6 size A4
 CUSTOMER Drawing

PRODUCT NO.	NUMBER OF POSITIONS	DIMENSION		
		A	B	C
61083-042***	2 X20	15.2	21.8	20.2
61083-062***	2 X30	23.2	29.8	28.2
61083-082***	2 X40	31.2	37.8	36.2
61083-102***	2 X50	39.2	45.8	44.2
61083-122***	2 X60	47.2	53.8	52.2
61083-142***	2 X70	55.2	61.8	60.2
61083-162***	2 X80	63.2	69.8	68.2
61083-182***	2 X90	71.2	77.8	76.2
61083-202***	2 X100	79.2	85.8	84.2



查询"1812PS-272_L"供应商

mat'l. code		surface		tolerance		projection		product family	
lfr	ecm no	dr	date	tolerance unless otherwise specified	angles	projection	title	product family	sheet no
R	S07-0166	MCH	2007-05-18	0±.2	XXX±0.10	MM	08mm BOARD TO BOARD PLUG ASSY	BERGSTAK	61083
engr		dr		scale		type		sheet size	
YU_WEN_CHU		MAGGLE_WU		4:1		CUSTOMER Drawing		A4	
chr		MACHONG							
dppd		JOEY_NG							
sheet index		revision							

PLUG 2



PRODUCT NO.	NUMBER OF POSITIONS	DIMENSION		
		A	B	C
61083-043***	2 X20	15.2	21.8	20.2
61083-063***	2 X30	23.2	29.8	28.2
61083-083***	2 X40	31.2	37.8	36.2
61083-103***	2 X50	39.2	45.8	44.2
61083-123***	2 X60	47.2	53.8	52.2
61083-143***	2 X70	55.2	61.8	60.2
61083-163***	2 X80	63.2	69.8	68.2
61083-183***	2 X90	71.2	77.8	76.2
61083-203***	2 X100	79.2	85.8	84.2

B±0.15

A±0.08

0.8±0.08

0.3±0.05

∅0.7±0.05

C±0.1

1.1±0.05

0.7±0.1

6.7^{+0.3}_{-0.2}

5±0.1

5.5±0.3

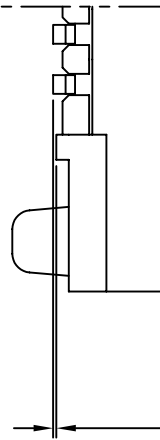
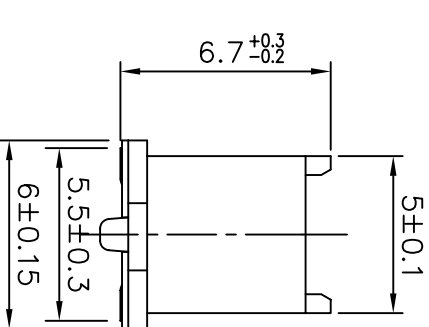
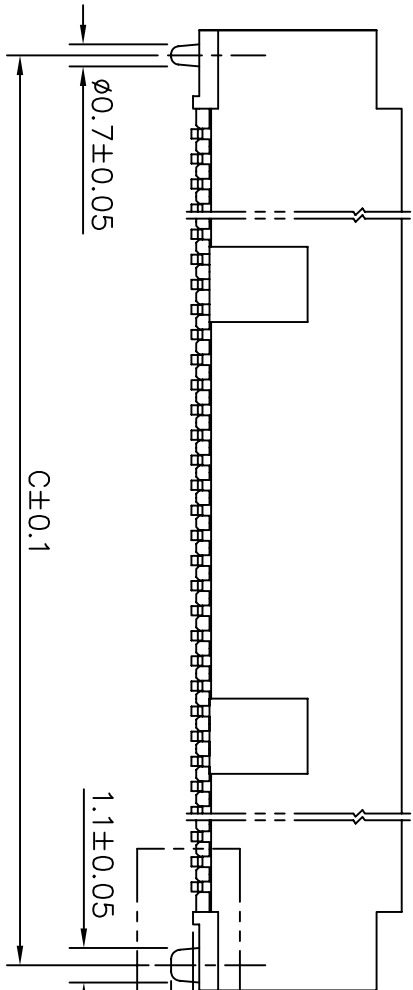
6±0.15

0.30 MAX.

COPLANARITY OF TAIL:
 0.1 MAX. APPLIED TO 2X20 TO 2X50 POS.
 0.12 MAX. APPLIED TO 2X60 POS.
 0.15 MAX. APPLIED TO 2X70 TO 2X90 POS.
 0.20 MAX. APPLIED TO 2X100 POS.

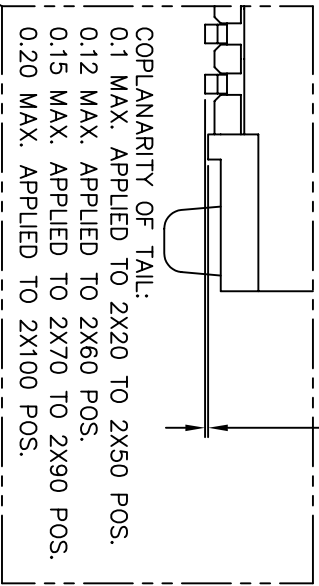
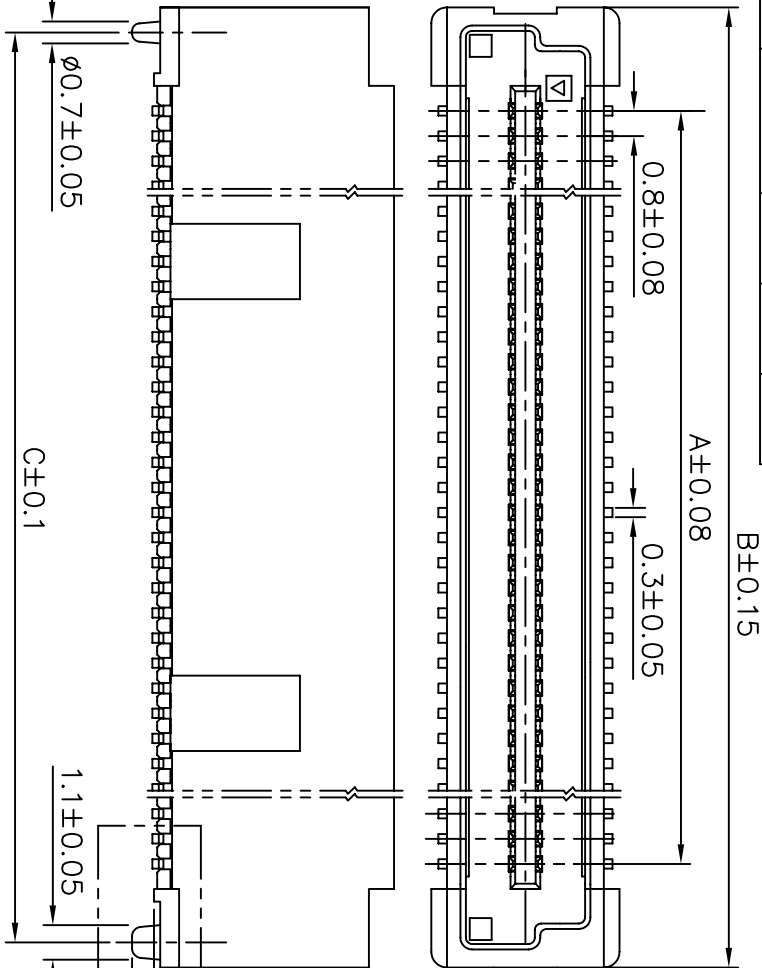
PLUG 3

[查询"1812PS-272_L"供应商](#)



mat'l. code		surface		tolerance		projection		product family	
lfr	ecp no	dr	date	tolerance unless otherwise specified	angles	projection	title	product family	BERGSTAK
R	S07-0166	MCH	2007-05-18	XXX±0.15	0±2°	MM	0.8mm BOARD TO BOARD PLUG ASSY	BERGSTAK	
sheet index		revision		engr		scale		type	
1		1		YU_WEN_CHU	1999-03-26	4:1	61083	CUSTOMER Drawing	A4
2		2		MACHONG	2007-05-18				
3		3		JOEY_NG	2007-05-18				
4		4							

PRODUCT NO.	NUMBER OF POSITIONS	DIMENSION		
		A	B	C
61083-044***	2 X20	15.2	21.8	20.2
61083-064***	2 X30	23.2	29.8	28.2
61083-084***	2 X40	31.2	37.8	36.2
61083-104***	2 X50	39.2	45.8	44.2
61083-124***	2 X60	47.2	53.8	52.2
61083-144***	2 X70	55.2	61.8	60.2
61083-164***	2 X80	63.2	69.8	68.2
61083-184***	2 X90	71.2	77.8	76.2
61083-204***	2 X100	79.2	85.8	84.2

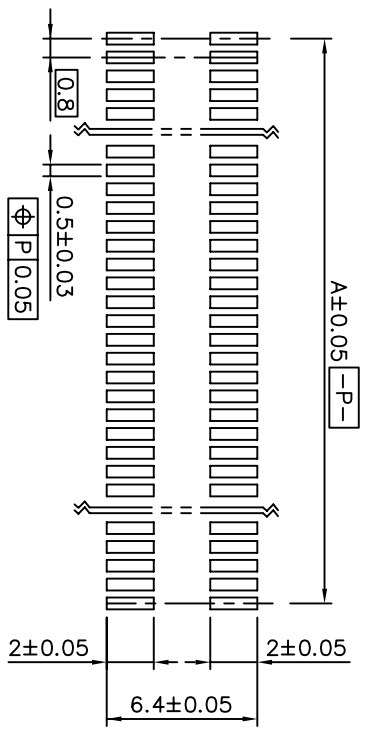


COPLANARITY OF TAIL:
 0.1 MAX. APPLIED TO 2X20 TO 2X50 POS.
 0.12 MAX. APPLIED TO 2X60 POS.
 0.15 MAX. APPLIED TO 2X70 TO 2X90 POS.
 0.20 MAX. APPLIED TO 2X100 POS.

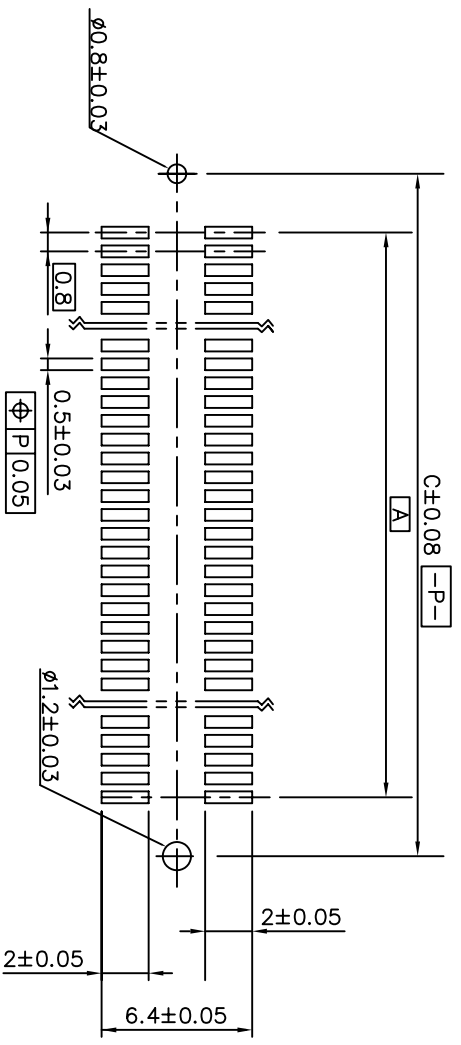
PLUG 4

[查询"1812PS-272_L"供应商](#)

mat'l. code		surface		tolerance		projection		product family	
lfr	ecn no	dr	date	tolerance unless otherwise specified	angles	MM	MM	title	sheet 5 of 6 size
P									
R	S07-0166	MCH	2007-05-18					08mm BOARD TO BOARD PLUG ASSY	61083
				0±2°	XXX±0.10	scale 4:1			
		dr	MAGGIE_WU	1999-03-26					
		engr	YU_WEN_CHU	1999-03-26					
		chr	MACHONG	2007-05-18					
		dppd	JOEY_NG	2007-05-18					
sheet index	revision								

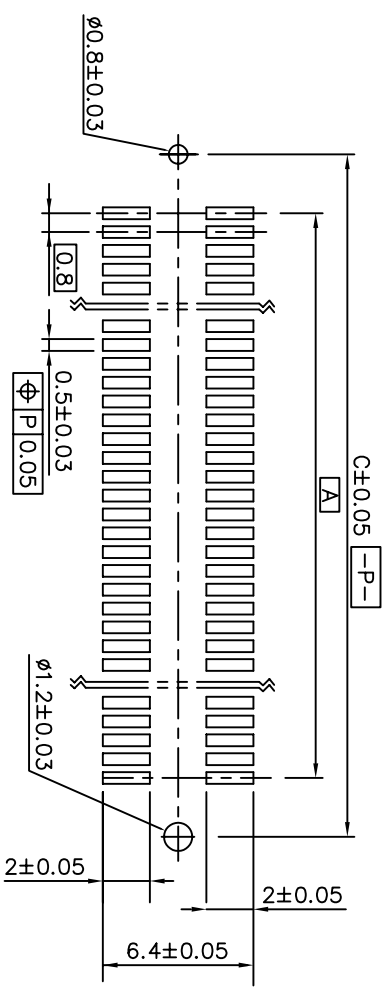


RECOMMENDED PCB LAYOUT WITHOUT PEG AND HOLDDOWN
FOR NO. OF POS. 2X20, 2X30, 2X40, 2X50, 2X60



RECOMMENDED PCB LAYOUT WITH PEG
FOR NO. OF POS. 2X70, 2X80, 2X90, 2X100

FOR PLUG 1/2/3/4



RECOMMENDED PCB LAYOUT WITH PEG
FOR NO. OF POS. 2X20, 2X30, 2X40, 2X50, 2X60

[查询"1812PS-272_L"供应商](#)

mat'l. code		surface		tolerance		projection		product family	
lfr	ecn no	dr	date	angles	mm	mm	mm	title	type
N	S07-0166	MCH	2007-05-18	X30.20	MM	MM	MM	0.8mm BOARD TO BOARD PLUG ASSY	
P	S08-0043	MCH	2008-02-20	0±2°	XXX±0.15	XXX±0.10	scale 3:1		
S	S10-0069	MCH	2010-03-26	dr	MAGGLE_WU	1999-03-26			
		engr	YU_WEN_CHU	1999-03-26					
		chr	MACHONG	2010-03-26					
		dppd	JOEY_NG	2010-03-26					
sheet index	revision								

product family: BERGSTAK
title: 0.8mm BOARD TO BOARD PLUG ASSY
dwg no: 61083
sheet 6 of 6 size A4
CUSTOMER Drawing