



PRODUCT OVERVIEW

The Marvell® Alaska® family of Gigabit Ethernet (GbE) over copper transceivers are the industry’s lowest power, smallest form factor, highest performance, and highest port density solutions in volume production. The Alaska Quad 88E1141 and 88E1145 transceivers lead the industry with the lowest power consumption (under 3W for the entire device), enabling network systems manufacturers to decrease system cost by reducing both power supply and fan requirements. Additionally, the 88E1145 device offers the smallest package footprint (21 mm x 21 mm) and requires 40% less board space than competing Gigabit solutions. The Alaska Quad products offer additional support of 1000BASE-X through an integrated 1.25 GHz Serializer/Deserializer (SERDES).

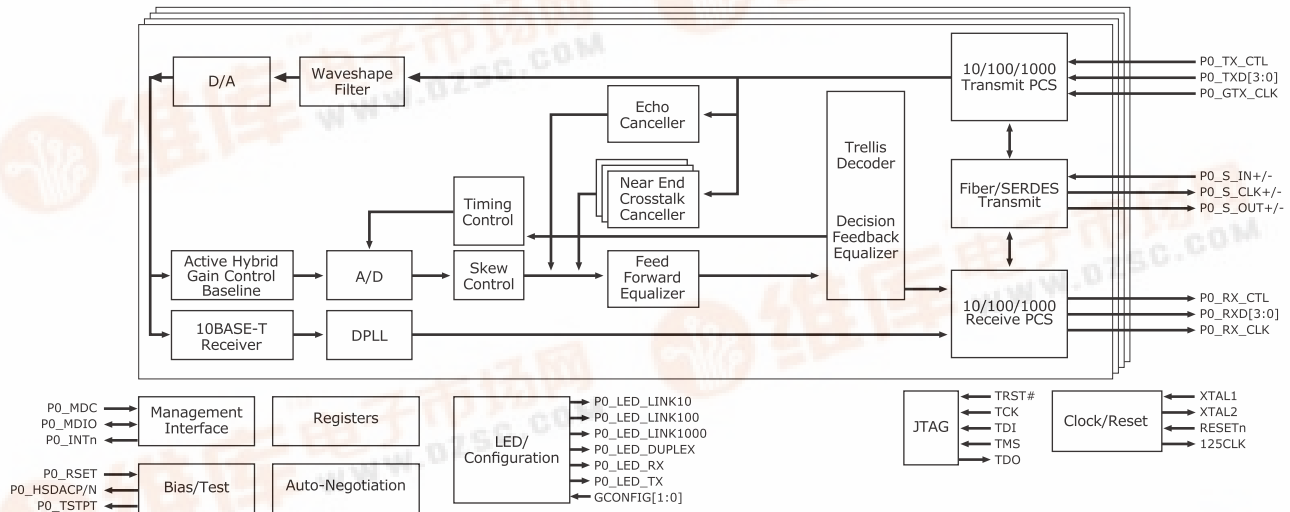


Fig 1. Alaska Quad GbE Transceiver (88E1141/88E1145) Block Diagram

FEATURES

- Highly integrated 4-port device
- Ultra low power, only 0.75W/port
- 10/100/1000BASE-T IEEE 802.3 compliant
- Supports GMII/RGMII/SGMII/TBI/RTBI interfaces
- Virtual Cable Tester™ (VCT) feature
- Integrated 1.25 GHz SERDES
- Media Detect feature automatically detects and configures to either copper or fiber media
- Automatic support for 2-pair CAT 5 cable (100 Mbps)
- Power management modes
- Four RGMII timing modes
- Operation up to 180 meters CAT 5 cable
- Auto-MDI/MDIX crossover for all modes of operation
- Support IEEE 1149.1 (JTAG) and NAND-tree ICT
- Advanced mixed-signal and DSP techniques

BENEFITS

- Enables highly integrated Gigabit switches
- Enables higher integration and reduced system cost
- Compatibility with existing installed base of compliant devices
- Reduces cost and simplifies PCB layout
- Identification and isolation of cable faults
- Supports 1000BASE-X fiber applications
- Complete media flexibility
- Operates over installed 2-pair cable
- Reduced system power
- Eliminate the need for on-board delay lines
- Functions over a wider base of cabling infrastructures
- Eases installation and reduces cost
- Simplifies board level testing/debugging
- Advanced DSP design





查询"88E1145"供应商

FEATURES

- IEEE 802.3u compliant Auto-Negotiation
- Active internal hybrids for 1000BASE-T
- Direct drive LED support
- Software configurable LED support
- User programmable PHY address
- Loopback mode

BENEFITS

- Automatically configures to 10, 100 or 1000 Mbps
- Lower cost magnetics
- Eliminates cost of external LED latches and drivers
- User-defined LED configuration
- Works with all existing Gigabit switch designs
- Assists testing and diagnostics

APPLICATIONS

The Marvell Alaska Quad transceivers enable higher port count Gigabit switches, up to 48 ports. Through integrated SERDES technology, the device also offers optional support for 1000BASE-SX/LX Gigabit fiber standards, on a per port basis, enabling mixed-media Gigabit switches. The Alaska Quad products support the GMII, RGMII, SGMII, TBI, and RTBI PHY/MAC interface options.

The Alaska Quad transceivers offer the most advanced feature set including VCT technology used to diagnose the attached cable plant and isolate and report cable faults with one-meter accuracy. Additionally, the devices feature "2-pair downshift" capability for plug-and-play operation in 2-pair cable environments, as well the Media Detect feature which supports both copper and fiber media simultaneously.

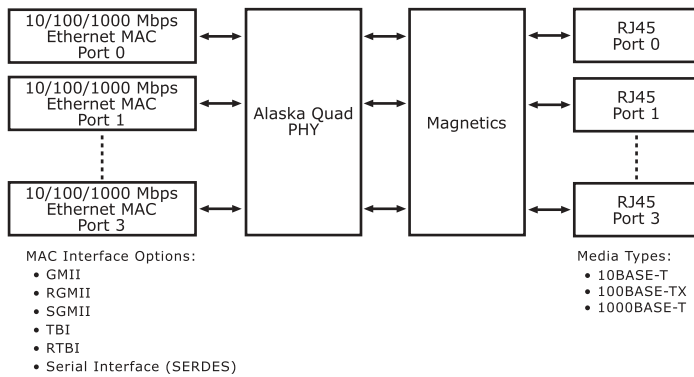


Fig 2. Alaska Quad GbE Transceiver (88E1141/88E1145) Copper Applications Diagram

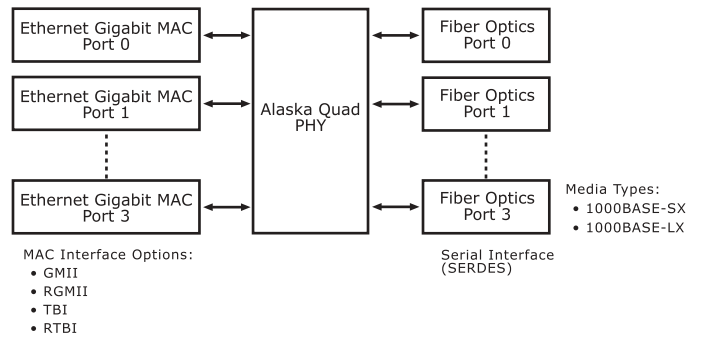


Fig 3. Alaska Quad GbE Transceiver (88E1141/88E1145) Fiber Applications Diagram

THE MARVELL ADVANTAGE: The Marvell Alaska Quad GbE transceivers come with a complete set of hardware and software development tools to assist network hardware engineers with product evaluation. Marvell's worldwide field applications engineers collaborate closely with network equipment vendors to develop and deliver new competitive products to market on time. Marvell utilizes recognized world-leading semiconductor foundry and packaging services to reliably deliver high-volume and low cost total solutions.

For more information, visit our website at www.marvell.com.



Marvell Semiconductor, Inc.

700 First Avenue
Sunnyvale, CA 94089
Phone 408.222.2500
www.marvell.com

©2002 Marvell International Ltd. All rights reserved. Marvell, the Marvell logo, Moving Forward Faster, Alaska, the Galileo logo, and GalNet are registered trademarks of Marvell. Discovery, Fastwriter, Galileo Technology, GalTis, Horizon, Libertas, Link Street, PHY Advantage, Presteria, Raise the Technology Bar, Virtual Cable Testers, and Yukon are trademarks of Marvell. All other trademarks are the property of their respective owners.