

# FUSEHOLDERS

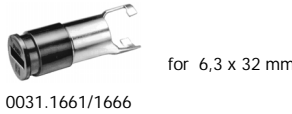
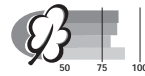
Panel mount

FEU

for 5 × 20 / 6,3 × 32 mm

## Fuseholder Type FEU

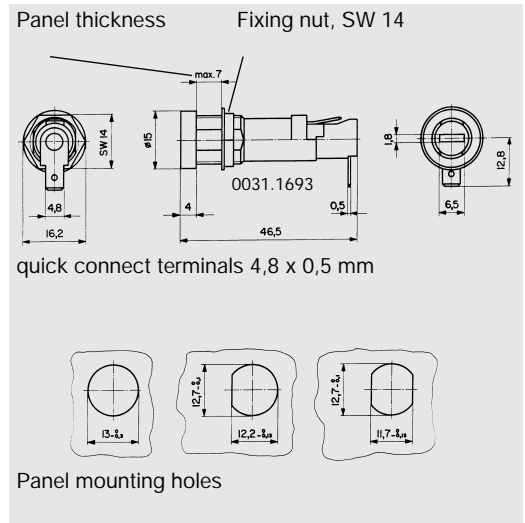
front side  
fixing nut fastening  
shocksafe category PC2



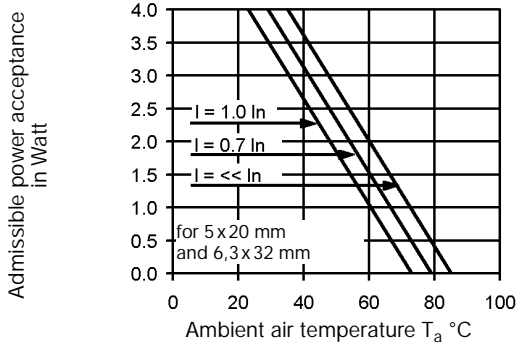
- bayonet type fuse carrier, slotted
- quick-connect terminals 4,8 x 0,5 mm
- degree of protection IP 40 from front side, according to IEC 60529
- suitable for equipment with protection classes I and II according to IEC 60536

- Technical data**
- Rated voltage: 250 V
  - Rated current: 10 A
  - Rated power acceptance at ambient air temperature  $T_a$  23 °C for fuse links  
5 x 20: 4 W/6,3 x 32: 4 W
  - Power acceptance at higher  $T_a$ : see derating curves  
Take note of the information on pages 215–219
  - Allowable ambient air temperatures  $T_a$  for accessible parts: -40 °C to +85 °C
  - Contact resistance: 5 mΩ
  - Dielectric strength: > 4 kV, 50 Hz, 1 Min.\*
  - Insulation resistance (500 V DC/1 Min): > 103 MΩ
  - Torque/Fixing nut: max. 1,2 Nm
  - Materials  
socket: thermoplastic, UL 94 V-0  
fuse carrier: thermoplastic, UL 94 V-0

\* between metal mounting plate and live parts



### Derating curve



### Approvals, Patents

	SEV (10 A/250 V)		UL (20 A/250 V)
	VDE (10 A/250 V)		CSA (16 A/250 V)
	SEMKO (10 A/250 V)		

Patents in U.S. (No. 4,072,385) and in further countries

### Standards

IEC 60127-6  
EN 60127-6  
UL 512, CSA C22.2-39

Order No.	socket and fuse carrier must be ordered separately	suitable for fuse-links
0031.1693	Socket, black	5 x 20 and 6,3 x 32 mm
0031.1694	Socket, black, straight end terminal	6,3 x 32 mm
0031.1695	Socket, black	
0031.1696	Socket, black, straight end terminal	

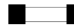
Order Numbers with fuse carrier (example: FEU 0031.1699 = fuseholder FEU 0031.1693 and fuse carrier FEK 0031.1666 packaged together)					
Fuse carrier	Fuseholder	FEK 0031.1666 bayonet/grey for 6,3 x 32 mm fuse-links	FEK 0031.1663 bayonet/black for 5 x 20 mm fuse-links	FEK 0031.1667 fingerrip/black for 6,3 x 32 mm fuse-links	FEK 0031.1741 fingerrip/black for 5 x 20 mm fuse-links
	FEU 0031.1693	<b>FEU 0031.1699</b>	<b>FEU 0031.1706</b>	<b>FEU 0031.1761</b>	<b>FEU 0031.1762</b>
	FEU 0031.1694	<b>FEU 0031.1764</b>			

Accessories see page 183

# FUSEHOLDERS

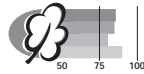
Panel mount

FEU

for  5 × 20 / 6,3 × 32 mm

## Fuseholder Type FEU

front side  
fixing nut fastening  
shocksafe category PC2

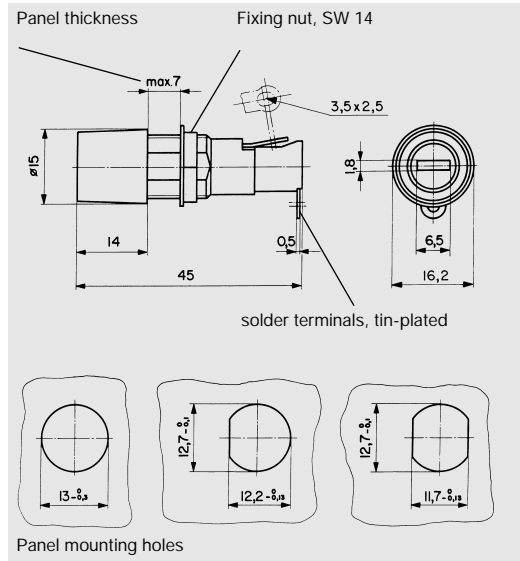


- bayonet type fuse carrier, slotted
- solder terminals, tin plated
- degree of protection IP 40 from front side, according to IEC 60529
- suitable for equipment with protection classes I and II according to IEC 60536

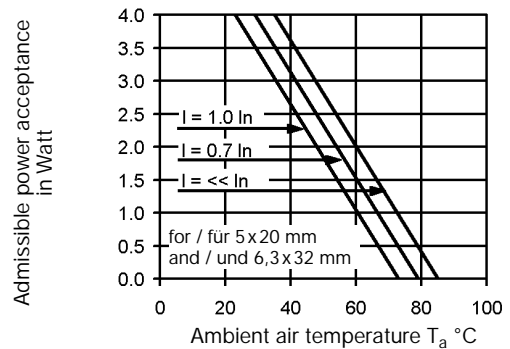
### Technical data

- Rated voltage: 250 V
- Rated current: 10 A
- Rated power acceptance at ambient air temperature  $T_a$  23 °C for fuse links  
5 x 20: 4 W/6,3 x 32: 4 W
- Power acceptance at higher  $T_a$ : see derating curves  
Take note of the information on pages 215–219
- Allowable ambient air temperatures  $T_a$  for accessible parts: -40 °C to +85 °C
- Contact resistance: 5 m $\Omega$
- Dielectric strength: > 4 kV, 50 Hz, 1 Min.\*
- Insulation resistance (500 V DC/1 Min): > 10<sup>3</sup> M $\Omega$
- Torque/Fixing nut: max. 1,2 Nm
- Materials  
socket: thermoplastic, UL 94 V-0  
fuse carrier: thermoplastic, UL 94 V-0






\* between metal mounting plate and live parts



### Derating curve



### Approvals, Patents

	SEV	(10 A/250 V)		UL	(20 A/250 V)
	VDE	(10 A/250 V)		CSA	(16 A/250 V)
	SEMCO	(10 A/250 V)			

### Standards

IEC 60127-6  
EN 60127-6  
UL 512, CSA C22.2-39

Patents in U.S. (No. 4,072,385) and in further countries

Order No. [socket and fuse carrier must be ordered separately](#)

0031.1653 [Socket, black](#)

[suitable for fuse-links](#)

5 x 20 [and](#) 6,3 x 32 mm

Order Numbers with fuse carrier (example: FEU 0031.1659 = fuseholder FEU 0031.1653 and fuse carrier FEK 0031.1666 packaged together)


Fuseholder	Fuse carrier	FEK 0031.1666 bayonet/grey for 6,3 x 32 mm fuse-links	FEK 0031.1663 bayonet/black for 5 x 20 mm fuse-links	FEK 0031.1667 fingergrasp/black for 6,3 x 32 mm fuse-links	FEK 0031.1741 fingergrasp/black for 5 x 20 mm fuse-links
FEU 0031.1653	<b>FEU 0031.1659</b>		<b>FEU.0031.1751</b>	n/a	n/a

Accessories see page 183

**FUSEHOLDERS**

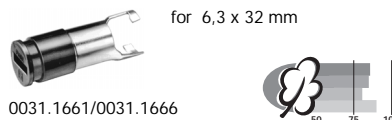
Panel mount

**FEU**

for  5 × 20 / 6,3 × 32 mm

**Fuseholder  
Type FEU**

front side  
fixing nut fastening  
shocksafe category PC2

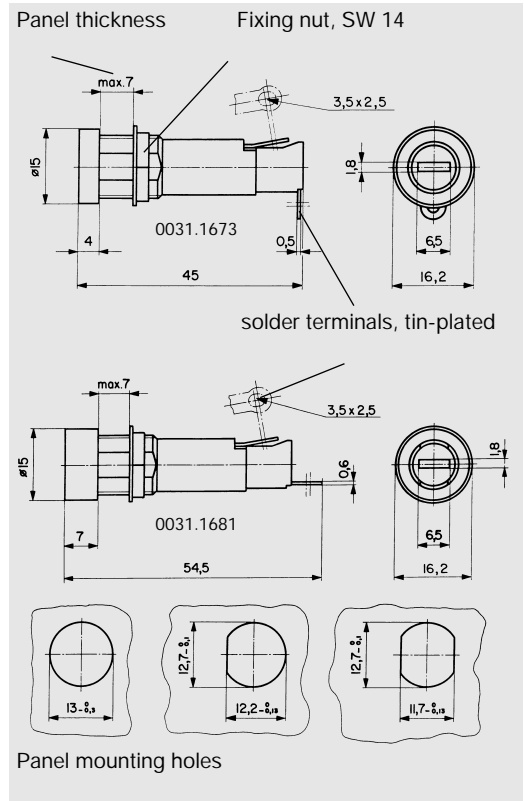


- bayonet type fuse carrier, slotted
- the FEU-version with recessed fuse carrier meets tool-only accessibility requirements of medical equipment standards
- solder terminals, tin plated
- degree of protection IP 40 from front side, according to IEC 60529
- suitable for equipment with protection classes I and II according to IEC 60536

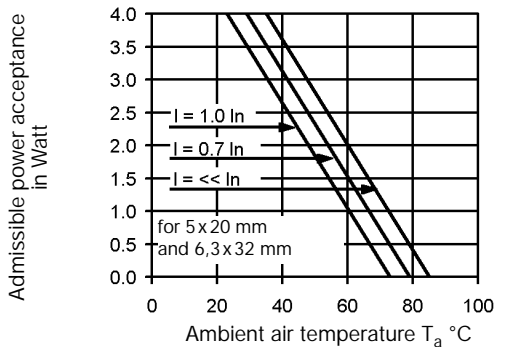
**Technical data**

- Rated voltage: 250 V
- Rated current: 10 A
- Rated power acceptance at ambient air temperature  $T_a$  23 °C for fuse links 5 x 20: 4 W/6,3 x 32: 4 W
- Power acceptance at higher  $T_a$ : see derating curves  
Take note of the information on pages 215–219
- Allowable ambient air temperatures  $T_a$  for accessible parts: -40 °C to +85 °C
- Contact resistance: 5 mΩ
- Dielectric strength: > 4 kV, 50 Hz, 1 Min.\*
- Insulation resistance (500 V DC/1 Min): > 103 MΩ
- Torque/Fixing nut: max. 1,2 Nm
- Materials  
socket: thermoset and thermoplastic, UL 94 V-0  
fuse carrier: thermoplastic, UL 94 V-0

\* between metal mounting plate and live parts



**Derating curve**



**Approvals, Patents**

- |                    |                  |
|--------------------|------------------|
| SEV (10 A/250 V)   | UL (20 A/250 V)  |
| VDE (10 A/250 V)   | CSA (16 A/250 V) |
| SEMKO (10 A/250 V) |                  |

Patents in U.S. (No. 4,072,385) and in further countries

**Standards**

- IEC 60127-6
- EN 60127-6
- UL 512, CSA C22.2-39

Order No. [socket and fuse carrier must be ordered separately](#)

[suitable for fuse-links](#)

0031.1673 [Socket, black, Thermoset and thermoplastic](#)

5 x 20 and 6,3 x 32 mm

0031.1681 [Socket, black, for recessed fuse carrier](#)

6,3 x 32 mm

**Order Numbers with fuse carrier** (example: FEU 0031.1680 = fuseholder FEU 0031.1673 and fuse carrier FEK 0031.1666 packaged together)

Fuse carrier	FEK 0031.1666 bayonet/grey for 6,3 x 32 mm fuse-links	FEK 0031.1663 bayonet/black for 5 x 20 mm fuse-links	FEK 0031.1667 fingergrasp/black for 6,3 x 32 mm fuse-links	FEK 0031.1741 fingergrasp/black for 5 x 20 mm fuse-links
Fuseholder	FEU 0031.1673 FEU 0031.1681	FEU 0031.1753 FEU 0031.1757	FEU 0031.1755 n/a	FEU 0031.1756 n/a

Accessories see page 183

**Fuseholder  
Type FEU**

front side  
fixing nut fastening  
shocksafe category PC2



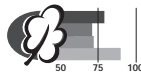
0031.1801



0031.1811  
for 5 x 20 mm



0031.1812  
for 6,3 x 32 mm



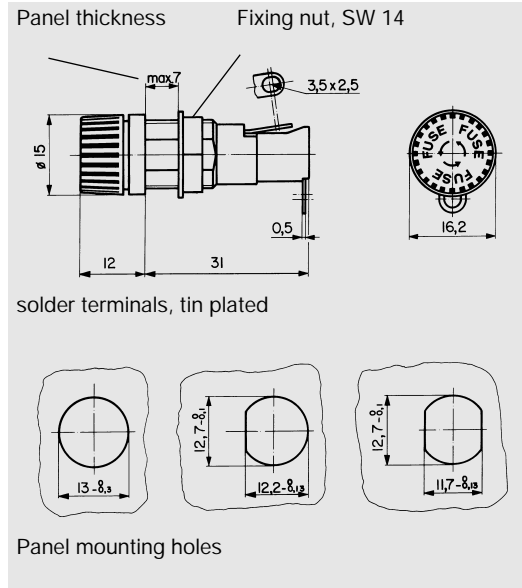
Finger grip fuse carriers

- bayonet type fuse carrier, finger grip
- solder terminals, tin plated
- degree of protection IP 40 from front side, according to IEC 60529
- suitable for equipment with protection classes I and II according to IEC 60536

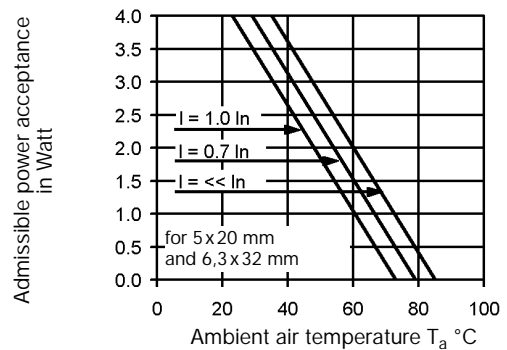
**Technical data**

- Rated voltage: 250 V
- Rated current: 10 A
- Rated power acceptance at ambient air temperature  $T_a$  23 °C for fuse links  
5 x 20: 4 W/6,3 x 32: 4 W
- Power acceptance at higher  $T_a$ : see derating curves  
Take note of the information on pages 215–219
- Allowable ambient air temperatures  $T_a$  for accessible parts: -40 °C to +85 °C
- Contact resistance: 5 mΩ
- Dielectric strength: > 4 kV, 50 Hz, 1 min.\*
- Insulation resistance (500 V DC/1 Min): > 10<sup>3</sup> MΩ
- Torque/Fixing nut: max. 1,2 Nm
- Materials  
socket: thermoset, UL 94 V-0  
fuse carrier: thermoplastic, UL 94 V-0

\* between metal mounting plate and live parts








**Derating curve**



**Standards**

IEC 60127-6  
EN 60127-6  
UL 512, CSA C22.2-39

**Approvals, Patents**

 SEV	(10 A/250 V)	 UL	(20 A/250 V)
 VDE	(10 A/250 V)	 CSA	(16 A/250 V)
 SEMKO	(10 A/250 V)		

Patents in U.S. (No. 4,072,385) and in further countries

Order No.	socket and fuse carrier must be ordered separately	suitable for fuse-links
0031.1801	Socket, black	5 x 20 and 6,3 x 32 mm

**Order Numbers with fuse carrier** (example: FEU 0031.1804 = fuseholder FEU 0031.1801 and fuse carrier FEK 0031.1812 packaged together)

Fuse carrier	FEK 0031.1812 bayonet/grey	FEK 0031.1811 bayonet/black	FEK 0031.1667 finger grip/black	FEK 0031.1741 finger grip/black
Fuseholder	for 6,3 x 32 mm fuse-links	for 5 x 20 mm fuse-links	for 6,3 x 32 mm fuse-links	for 5 x 20 mm fuse-links
FEU 0031.1801	<b>FEU 0031.1804</b>	<b>FEU.0031.1803</b>	n/a	n/a