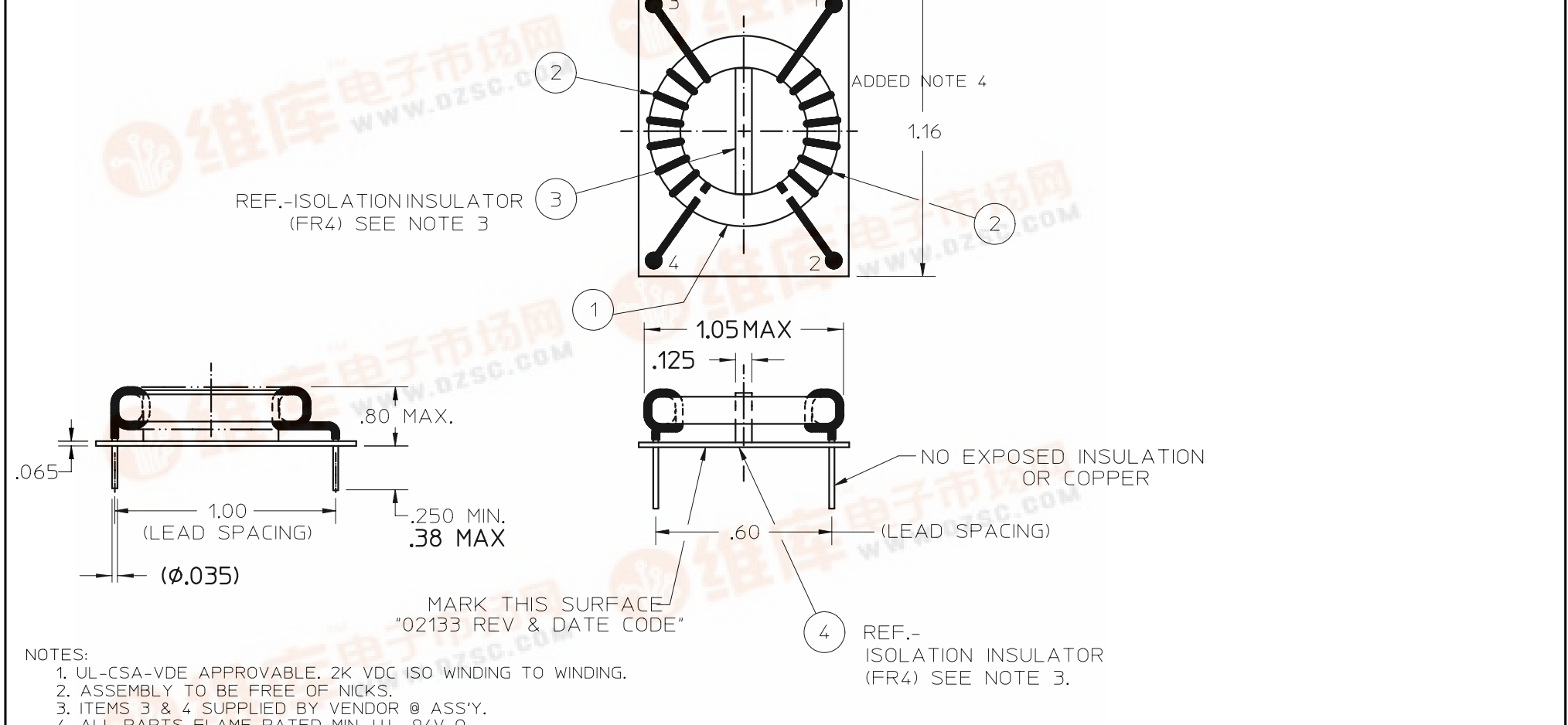


VICOR CONFIDENTIAL
 THIS DOCUMENT AND THE DATA DISCLOSED
 HEREIN OR HERewith IS NOT TO BE REPRODUCED,
 USED, OR DISCLOSED IN WHOLE OR IN PART
 TO ANYONE WITHOUT PERMISSION OF VICOR CORP.

| REV. | DESCRIPTION | DATE | APPROVED |
|------|----------------------|-------------|----------|
| 01 | RELEASED PER E980275 | PEI 7/1/98 | DPK |
| 02 | REVISED PER E000616 | PEI 1/19/01 | RCM |



- NOTES:
1. UL-CSA-VDE APPROVABLE. 2K VDC ISO WINDING TO WINDING.
 2. ASSEMBLY TO BE FREE OF NICKS.
 3. ITEMS 3 & 4 SUPPLIED BY VENDOR @ ASS'Y.
 4. ALL PARTS FLAME RATED MIN. U.L. 94V-0.
 5. MAX. LEAKAGE INDUCTANCE: 22 μ H.
 LEAKAGE INDUCTANCE: WITH 3 TO 4 SHORTED,
 MEASURE FROM PIN 1 TO 2.

MARK THIS SURFACE
 "02133 REV & DATE CODE"

REF.-
 ISOLATION INSULATOR
 (FR4) SEE NOTE 3.



| UNLESS OTHERWISE SPECIFIED DIMENSIONS ARE IN INCHES TOLERANCES ARE: | | | | | APPROVALS | | DATE | VICOR | | | |
|---|---------|--------------|-------------|--------------|------------------------------------|----------|--------|---|----------|--------------|------|
| | | | | | DRAWN: | P.E.IENI | 7/1/98 | CHOKES, COMMON MODE FLTR 7 AMP RMS 15T#19/15T#19 | | | |
| | | | | | | | | | | | |
| 2 | 1 PRI. | 15 TURNS | 1.90 - 3.55 | 20 MAX. | THIRD ANGLE PROJECTION | | | SIZE | FSCM NO. | DWG. NO. | REV. |
| 2 | 1 PRI. | 15 TURNS | 1.90 - 3.55 | 20 MAX. | DO NOT SCALE DRAWING | | | B | 67131 | 19034 | 02 |
| ITEM NO. | WINDING | NO. OF TURNS | IND.(mH) | DC RES (m W) | FOR LIST OF PARTS SEE B.O.M. 02133 | | | SCALE | NONE | SHEET 1 OF 1 | |