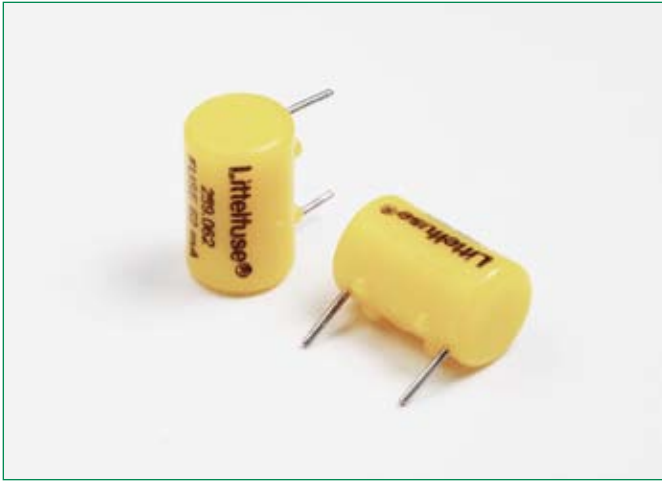


## Safe-T-Plus Fuse 259 Series Rated 125V

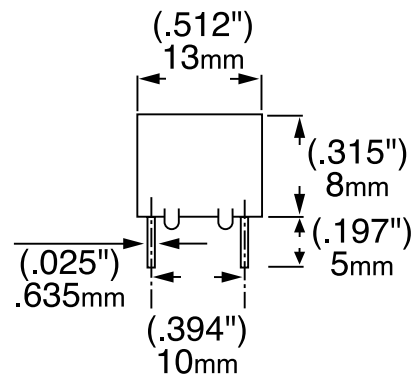
RoHS



### Specifications

**Voltage Rating:** 125 VDC  
**Agency Approvals:** Meets Cenelec EN500014 to 039 and IEC 60079-11.  
**Interrupting Ratings:** 50 amperes at 125 VAC  
 300 amperes at 125 VDC

### Dimensions in mm / Maße in mm



- Designed to allow equipment to meet "Intrinsically Safe" certification for applications in gas plants, petrochemical and processing industries where there is a danger of gas explosion from faulty circuits.
- Hermetically sealed.
- Für Einrichtungen und Geräte entwickelt, die besonders strenge Zulassungsbedingungen ("immanente Sicherheit") erfüllen müssen, z. B. Anwendungen in Gaswerken, in der petrochemischen Industrie und anderen Bereichen, wo fehlerhafte Schaltkreise zu Gasexplosionen führen können
- Hermetisch abgedichtet.

### Time-Current Characteristics / Schmelzzeit-Grenzwerte

% of Rating % des Nennstromes	Opening Time Min / Max (s) Schmelzcharakteristik Min / Max (s)
100	4 h / 5 s
200	4 h / 5 s

Part Number Artikel-Nr.	Current Rating Nennstrom	Typ. Voltage Drop Typ. Spannungsfall	Cold Resistance Kaltwiderstand	I <sup>2</sup> t
0259.062	0.062 A	2.1	8.1	0.00016
0259.125	0.125 A	1.3	2.4	0.0012
0259.250	0.250 A	0.83	0.87	0.0095
0259.375	0.375 A	0.81	0.46	0.025
0259.500	0.500 A	0.78	0.32	0.07
0259.750	0.750 A	0.23	0.19	0.062
0259001	1 A	0.24	0.14	0.01
0259003	3.15 A	0.131	0.0295	1.27
0259005	5 A	0.110	0.0158	4.14

### Schedule of limitations.

- 1) The fuse must be so mounted that creepage and clearance distances meet the requirements of Table 2 of EN50020 :1977 or Table 4 of EN50020 :1994 (equivalent to IEC 60079-11 4th Edition 1999).
- 2) When used in intrinsically safe apparatus it will be necessary to determine a surface temperature classification for the fuse.