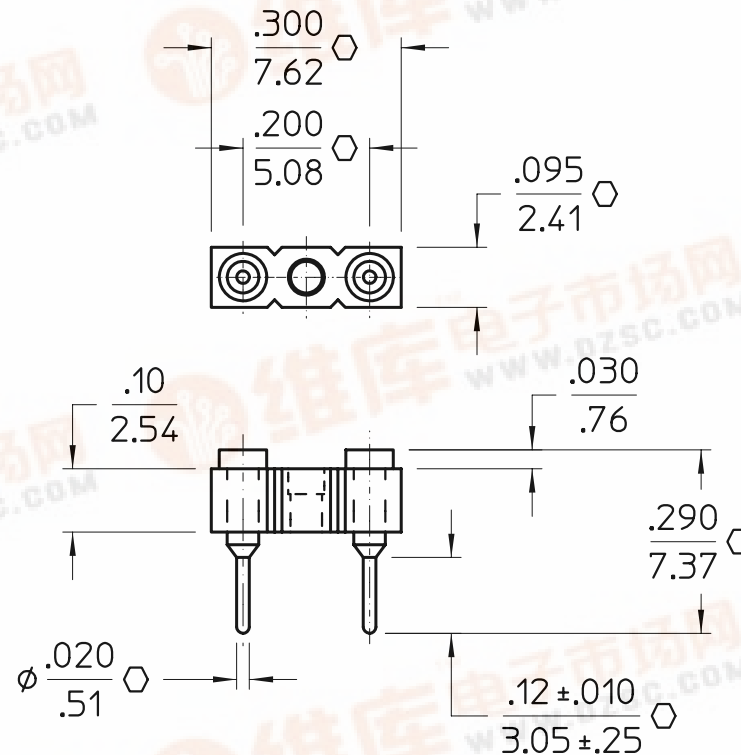


VICOR CONFIDENTIAL THIS DOCUMENT AND THE DATA DISCLOSED HEREIN OR HERewith IS NOT TO BE REPRODUCED, USED, OR DISCLOSED IN WHOLE OR IN PART TO ANYONE WITHOUT PERMISSION OF VICOR CORP.	REV. 02	DESCRIPTION DRN PER E990513	DATE AK 11/19/99	APVD RCM
--	------------	--------------------------------	---------------------	-------------



NOTES:

1. MATERIAL: PIN: BRASS ALLOY TYPE 360, PER QQ-B626, 1/2 HARD  
CONTACT: BERYLLIUM COPPER  
INSULATOR: THERMOPLASTIC POLYESTER(BLACK) RATED 94VO
2. FINISH: SHELL: 100μINCH TIN PER MIL-T-10727, OVER  
100μINCH NICKEL PER QQ-N-290.  
CONTACT: 10μINCH GOLD PER MIL-C-45204 OVER 50μINCH  
NICKEL PER QQ-N-290.
3. 'O' DENOTES CRITICAL CHARACTERISTIC FOR LOT INSPECTION.

DRAWN BY A. KUMAR	DATE 11/19/99	THIRD ANGLE PROJECTION 	<b>SOCKET, FUSE, PCB, 5A, 125VAC</b>	
UNLESS OTHERWISE SPECIFIED DIMENSIONS ARE IN IN/MM- TOLERANCES ARE:		SIZE	FSCM NO.	DWG NO 03144
				REV.

