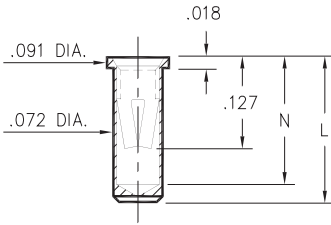


**0327/0351/0373**

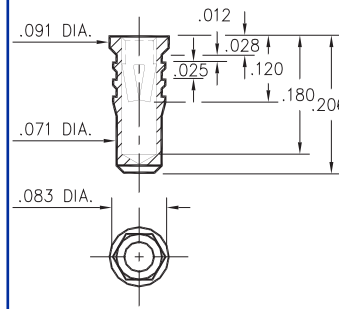


Basic Part Number	Length L	Depth N
0327-0	.206	.180
0351-0	.226	.200
0373-0	.270	.241

**03XX-0-15-XX-34-XX-10-0**

Solder mount in .075 min. mounting hole

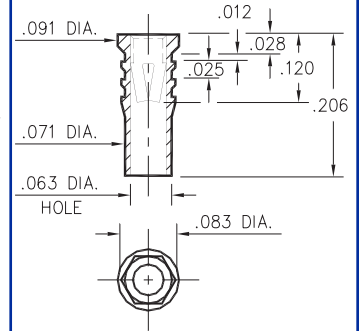
**0328**



**0328-0-15-XX-34-XX-10-0**

Hex press-fit in .079 plated thru hole

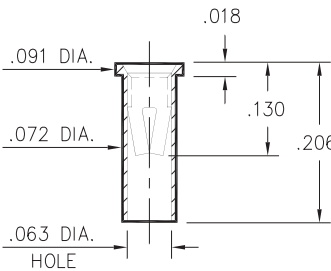
**0334**



**0334-0-15-XX-34-XX-10-0**

Hex press-fit in .079 plated thru hole

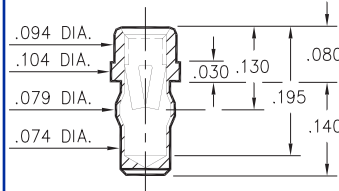
**0312**



**0312-0-15-XX-34-XX-10-0**

Solder mount in .075 min. mounting hole

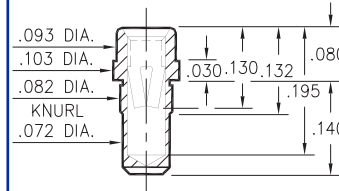
**0333**



**0333-0-42-XX-34-XX-10-0**

Press-fit in .076 mounting hole

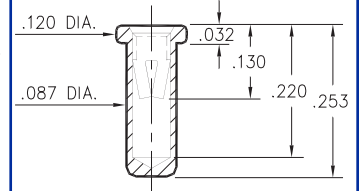
**0357**



**0357-0-15-XX-34-XX-10-0**

Press-fit in .078 mounting hole

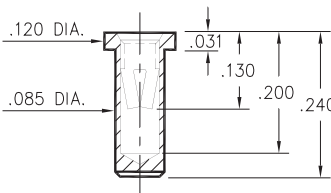
**0317**



**0317-0-15-XX-34-XX-10-0**

Solder mount in .091 min. mounting hole

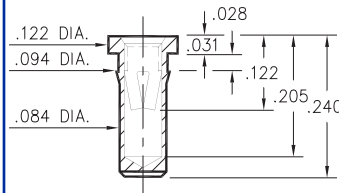
**0340**



**0340-0-15-XX-34-XX-10-0**

Solder mount in .087 min. mounting hole

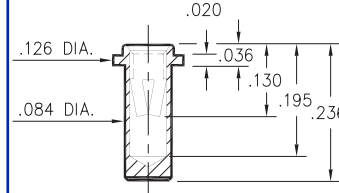
**0345**



**0345-0-15-XX-34-XX-10-0**

Press-fit in .089 mounting hole

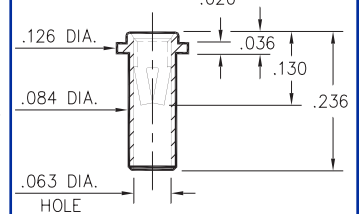
**0316**



**0316-0-15-XX-34-XX-10-0**

Solder mount in .087 min. mounting hole

**0314**



**0314-0-15-XX-34-XX-10-0**

Solder mount in .087 min. mounting hole

**SPECIFICATIONS**

**SHELL MATERIAL:**  
Brass Alloy 360, 1/2 Hard

**CONTACT MATERIAL:**  
Beryllium Copper Alloy 172, HT

**DIMENSION IN INCHES**  
**TOLERANCES ON:**  
LENGTHS: ±.005  
DIAMETERS: ±.002  
ANGLES: ± 2°

**ORDER CODE: XXXX - X - XX - XX - 34 - XX - 10 - 0**

**BASIC PART #** →

**SPECIFY SHELL FINISH:** →

**01** 200μ" TIN/LEAD OVER NICKEL  
**15** 10μ" GOLD OVER NICKEL

**SPECIFY CONTACT FINISH:** →

**01** 200μ" TIN/LEAD OVER NICKEL  
**14** 10μ" GOLD OVER NICKEL  
**27** 30μ" GOLD OVER NICKEL

**CONTACT**

#34 CONTACT (DATA ON PAGE 212)