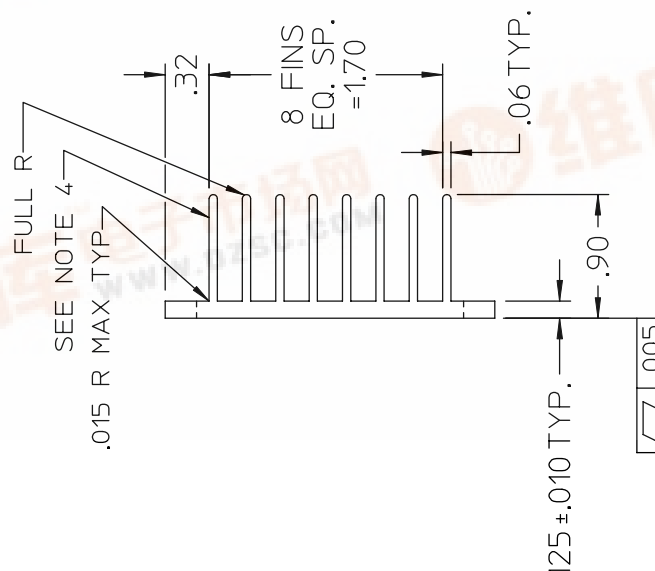
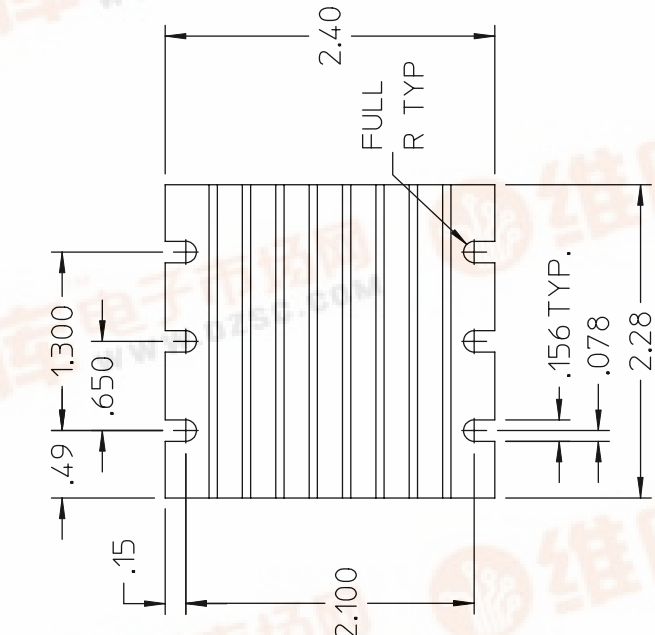


REV.	DESCRIPTION	DATE	APPROVED
1	RELEASED PER ECO # 2008	3/23/90	MJW
2	REVISED PER ECO # 2202	8/24/90	MJW
3	REVISED PER E020434	9/5/02	GCK
4	REVISED PER E020573	10/15/02	GCK



DRAWN BY C HUTCHINS		DATE 1/90
UNLESS OTHERWISE SPECIFIED DIMENSIONS ARE IN INCHES - FRACTIONS DECIMALS ANGLES *1/64 .XX = +.01 *1° .XXX = +.005		
THIRD ANGLE PROJECTION		
DO NOT SCALE DRAWING		
VICTOR		
HEATSINK, HORIZONTAL		
SIZE	FSCM NO.	DWG NO.
B	67131	04306
SCALE	SHEET 1 OF 1	
FULL		
REV	REV	
4	4	

TES
 MATERIAL: ALUMINUM 6063-T5, MAKE FROM
 SAME EXTRUSION AS VICOR PN 02111.
 FINISH: CLEAR CHROMATE WITH EXTENDED
 "HEAVY" ETCH.
 REMOVE ALL LOOSE BURRS.
 PERMANENTLY MARK PART NUMBER AND
 REVISION LEGIBLY IN AREA SHOWN.

CONFIDENTIAL
 DOCUMENT AND THE DATA DISCLOSED
 OR HEREWITH IS NOT TO BE REPRODUCED,
 OR DISCLOSED IN WHOLE OR IN PART
 WITHOUT PERMISSION OF VICOR CORP.