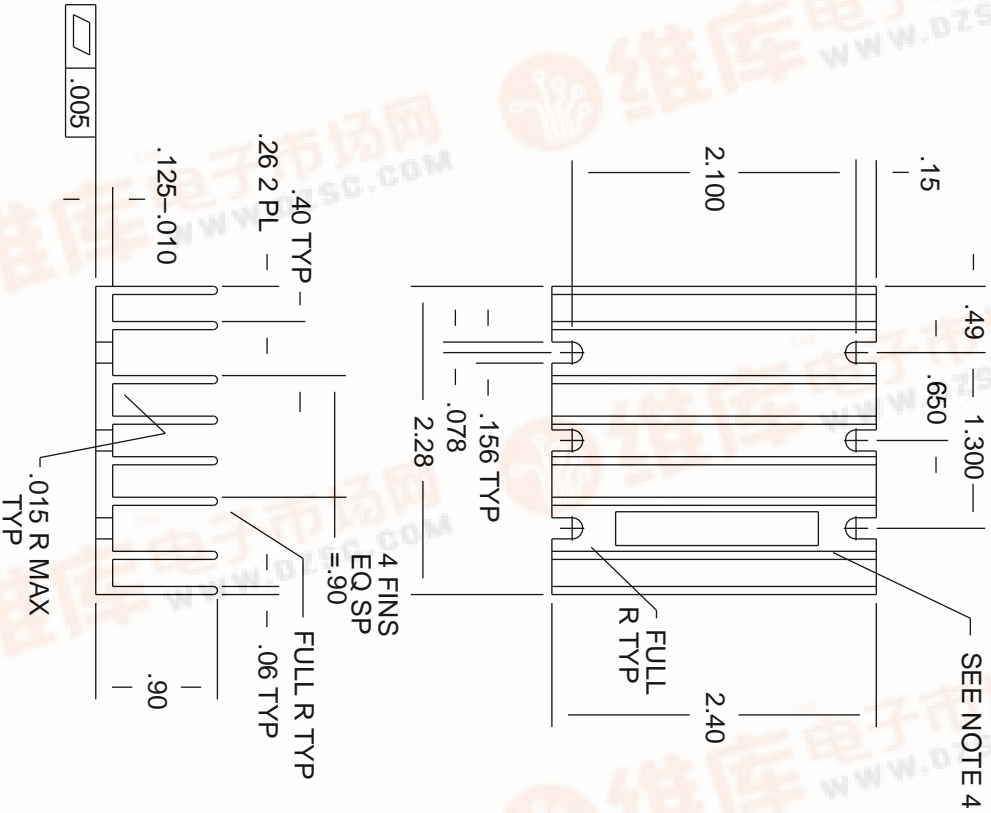


THIS DOCUMENT AND THE DATA DISCLOSED HEREIN OR HEREWITH IS NOT TO BE REPRODUCED, USED, OR DISCLOSED IN WHOLE OR IN PART TO ANYONE WITHOUT PERMISSION OF VICOR CORP.



- NOTES
1. MATERIAL: ALUMINUM 6063-T5.
 2. FINISH: CLEAR CHROMATE WITH EXTENDED ("HEAVY") ETCH.
 3. REMOVE ALL LOOSE BURRS.
 4. MECHANICALLY STAMP PART NUMBER AND REVISION IN AREA SHOWN.

LTR.	DESCRIPTION	DATE AP
1	RELEASED PER ECO # 2008 CFH	3/23/90 MJV
2	REVISED PER ECO # 2202 CFH	

AIR FLOW l/m	THERMAL RESISTANCE 04307 C/Watt	BASEPLATE RESISTANCE C/Watt
1000		
800		
600		
400		
200		
FREE CONVECTION		

DRAWN:	1/90
CHECKED:	3/90
APPD:	

ALL DIMENSIONS ARE IN INCHES (MILLIMETERS)
DO NOT SCALE DRAWING
NEXT ASSY:

VICOR ANDOVER, MA, U.S.	
HEATSINK, VERTICAL MINI MOD	
TOLERANCES (EXCEPT AS NOTED)	DRAWING NO.
XX ± .01	04307
XXX ± .005	1 OF 1
FRACT ± 1/64	SHEET 1
ANGLES ± 1°	SCALE: FULL

