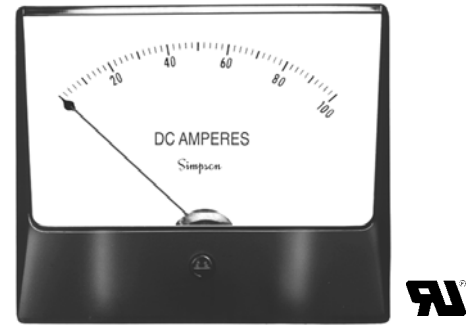




- Wide-Angle Visibility
- UL Recognized
- Optional Bezel Kits
- Phenolic Cases with Clear Acrylic Window
- Four Popular Sizes: 1-1/2", 2-1/2", 3-1/2", and 4-1/2"



Model Number	Size	Meter Movement
1212, 1212T	1-1/2"	Small Core Magnet
1227, 1227T	2-1/2"	Annular
1327, 1327T	3-1/2"	Annular
1329, 1329T	4-1/2"	Annular

Molded in a black phenolic case, this distinctive style meter with clear acrylic window provides wide-angle visibility and can either be surface-mounted or bezel mounted (semi-flush mount) with one of Simpson's Wide-Vue bezel kits. Available in four standard sizes from 1-1/2" to 4-1/2", the Wide-Vue is ideal for reliable measurement of DC current ranges between 1 and 500 amps. In addition, optional taut band models offer optimum band length for shock protection. High range DC current meters are supplied as 50 mV meters to be used with external shunts (see Accessory Section). All units are guaranteed to $\pm 2\%$ full scale (F.S.) accuracy and meet American National Standards Institute specification ANSI C39.1. This style meter can be ordered for other functions. See the "Function Reference Table."

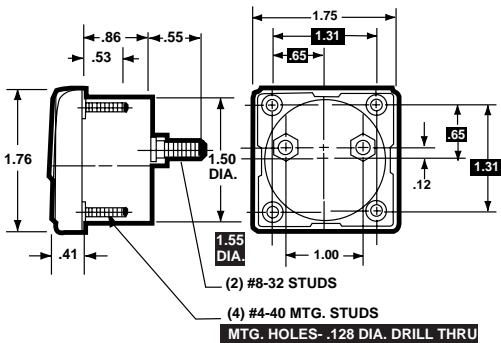
Compatibility Reference Table

Manufacturer	Size/Model		
	2-1/2"	3-1/2"	4-1/2"
Crompton			
Celebrity	223	225	227
Challenger	362	363	364
Clearvu	233	235	237
Hoyt	2025	2035	2045
Modutec			
S Series	2S-	3S-	4S-
PB Series	2PB*	3PB*	4PB
Triplett G Series	220-G	320-G	420-G
Weston 2000 Series	2024	2034	2044
Yokogawa			
Big Look	250-2 OPT.	250-3 OPT.	250-4 OPT. 1
Horizon	251-210	251-310	251-410

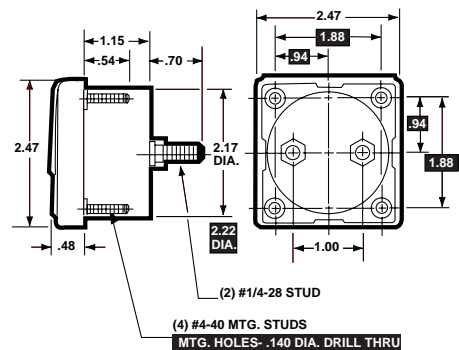
Dimensions and Compatibility

*Modutec uses a three-stud mount.

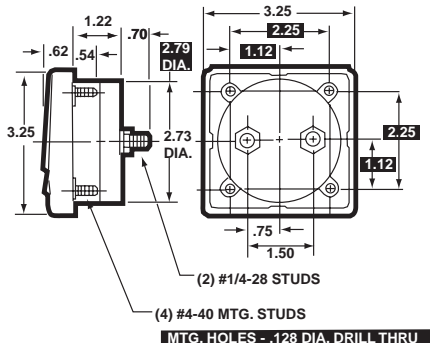
1-1/2"-Model 1212 & 1212T



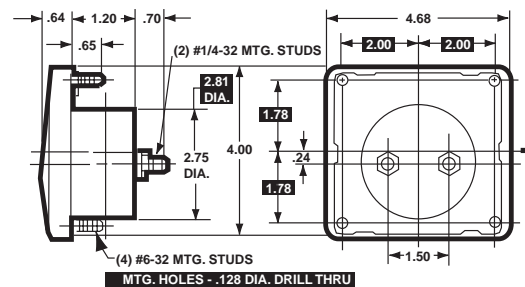
2-1/2"-Model 1227 & 1227T



3-1/2"-Model 1327 & 1327T



4-1/2"-Model 1329 & 1329T



Specifications

Accuracy: ±2% F.S.
 Movement: Annular, self-shielding
 Models 1212, 1212T: Small core magnet
 Suspension: Models 1212, 1227, 1327, 1329: Pivot and jewel
 Models 1212T, 1227T, 1327T, 1329T: Taut band
 Tracking: ±3%
 Shielding: Calibration is unaffected by magnetic panel mounting.
 Response Time: 1.5 seconds maximum
 Overload (1 sec.): 10 times F.S.
 Overload (Continuous): 1.5 times F.S.
 Repeatability: Models: 1212T, 1227T, 1327T, 1329T: 0.5% (Taut-Band)
 Models: 1212, 1227, 1327, & 1329: 0.5%
 Dial: Sharp clear scale. Each dial arc is calibrated to track the specific type of movement used.

Resistance: ±15%
 Operating Temperature: -4°F to +149°F (-20°C to +65°C)
 Case: High density black plastic
 Pointer: Models 1212 & 1212T: Black lance;
 All other models: Spade pointer with black matte finish
 Scale Length: Models 1212, 1212T: 1.50" (38.1mm)
 Models 1227, 1227T: 2.3" (58.4mm)
 Models 1327, 1327T: 3.14 (79.9mm)
 Models 1329, 1329T: 3.93" (100mm)
 Net Weight: Models 1212, 1212T: 2oz (0.06kg)
 Models 1227, 1227T: 6oz (0.17kg)
 Models 1327, 1327T: 8oz (0.23kg)
 Models 1329, 1329T: 9oz (0.26kg)

Ordering Information

DC Microammeters Self Shielding Meter Movement

Range	Approx. Impedance (Ohms)	Model/Size and Catalog Number			
		1-1/2" Model 1212	2-1/2" Model 1227	3-1/2" Model 1327	4-1/2" Model 1329
0-50	1800 (5500)*	04294	04310	04380	04480
0-100	1800	04295	04320	04390	04490
0-200	1100	04296	04330	04400	04500
0-500	90 (190)*	04297	04340	04410	04510
25-0-25	1800 (5500)*	04298	<>	04420	04520
50-0-50	1800	04302	04350	04430	04530
100-0-100	1100	04300	04351	04440	04540
500-0-500	43	04301	04352	04450	04550

<> Available on special order. * Impedance of Model 1212 shown in ()

Taut-Band DC Microammeters Self-Shielding Meter Movement

Range	Approx. Impedance (Ohms)	Model/Size and Catalog Number			
		1-1/2" Model 1212T	2-1/2" Model 1227T	3-1/2" Model 1327T	4-1/2" Model 1329T
0-10	4900	-	04303	04359	04459
0-15	1960 (5500)*	04601	04304	04361	04461
0-25	1960	04602	04306	04371	04471
0-50	960	04603	04311	04381	04481
0-100	500	04604	04321	04391	04491
0-200	234	04605	04331	04401	04501

DC Milliammeters Self Shielding Meter Movement

Range	Approx. Impedance (Ohms)	Model/Size and Catalog Number			
		1-1/2" Model 1212	2-1/2" Model 1227	3-1/2" Model 1327	4-1/2" Model 1329
0-1	43.0	06163	06175	06310	06470
0-3	2.0	<>	06180	06320	06480
0-5	2.0 (20)†	06164	06190	06330	06490
0-10	10.0 (2.2)†	06165	06200	06340	06495
0-15	6.6 (2.2)†	06166	06210	06350	06502
0-20	5.0	<>	06215	06360	06524
0-25	4.0 (6.0)†	06167	06220	06370	06530
0-50	2.0 (3.0)†	06168	06230	06380	06540
0-100	1.0 (1.5)†	06169	06240	06390	06550
0-150	.66 (1.0)†	06170	06250	06400	06560
0-200	.50 (.75)†	06171	06260	06410	06570
0-250	.40 (.60)†	06172	06270	06420	06580
0-300	.33 (.50)†	06173	06280	06430	06590
0-500	.20 (.30)†	06174	06290	06440	06600
0-750	.13	<>	<>	06450	06610
0-1000	.05	<>	06292	06460	06620

† Impedance of Model 1212 shown in () <> Available on special order

Function Reference Table

For your convenience, the table below lists Wide-Vue models for other electrical monitoring functions with page number reference.

Function	Section	Page
AC Current	E	11
AC Voltage	E	31
DC Voltage	E	71
Watts	E	105

DC Current Meters Self-Shielding Meter Movement

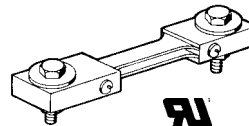
Range	Approx. Impedance (Ohms)	Model/Size and Catalog Number			
		1-1/2" Model 1212	2-1/2" Model 1227	3-1/2" Model 1327	4-1/2" Model 1329
0-1	.050	02431	02440	02640	02820
0-1.5	.033	<>	02450	02650	02830
0-2	.025	02432	02460	02660	02840
0-3	.0166	02433	02670	02670	02850
0-5	.010	02434	02480	02680	02860
0-10	.005	02435	02490	02690	02870
0-15	.0033*	02436†	02500	02700	02880
0-25	.0020*	02437†	02510	02710	02890
0-30	.0017	<>	02520	02720	02900
0-50	.001	02438†	02530	02730	02910
0-100	10.0	<>	02540†	02740†	02920†
0-150	10.0	<>	02550†	02750†	02930†
0-200	10.0	<>	02552†	02760†	02940†
0-300	10.0	<>	02554†	02770†	02950†
0-500	10.0	<>	<>	02780†	02960†
15-0-15	.0033	<>	<>	02790	<>
30-0-30	.0017	<>	<>	02800	<>
50-0-50	.001	<>	<>	02810	<>

† 1-1/2" DC current meters are self-contained through 10 amps. 15 amps and higher are supplied as 50mV meters to be used with external shunts. 2-1/2", 3-1/2" and 4-1/2" DC current meters are self-contained through 50 amps. Higher range DC current meters are 50mV meters to be used with external shunts.

<> Available on special order. *Model 1212 only - 10 ohms

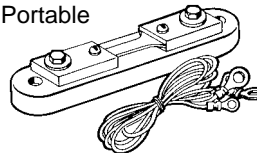
External Portable and Switchboard Shunts

Switchboard



These shunts are adjusted for a 50 millivolt drop for use with switchboard and panel current meters where external shunts are required. Portable shunts have a phenolic base and accept up to 200 amperes. Accuracy ±1%, 5' leads (0.065Ω resistance) included.

Portable



Please refer to the Accessory Section of this Engineering Application Guide for detailed information.

Portable Shunts 50mV

Amps	Cat.Number
1	06700
5	06703
10	06704
15	06705
25	06707
30	06708
50	06709
75	06711
100	06713
150	06714
200	06715

Switchboard Shunts 50mV

Amps	Cat.Number
100	06500
150	06503
200	06504
250	06505
300	06506
400	06507
500	06508

Portable Shunts 100mV

Amps	Cat.Number
10	06716
100	06717

NOTE: 5' leads not included

NOTE: For Bezel Kit information please refer to Accessory Section of this Engineering Application Guide.