

# Blade Terminal & Special Purpose Fuses

## 482 Series Alarm Indicating Fuseholder

The Alarm Indicating Fuseholder is designed for use with the Littelfuse 481 Alarm Fuse. It is designed to accept other manufacturer's replacement fuses as well.

- Ideal for telecommunications and control panel circuits.

The fuseholder is available in three versions:

**PCB Mount:** Can be soldered directly to a printed circuit board. Rated up to 15 amperes. Available in single pole or gangable up to 20 poles. Fuseholder is keyed to prevent insertion of 20 ampere fuse.

**Panel Mount – 20A:** Available in a single pole version rated up to 20 amperes. Large leads for wire attachment.

**Panel Mount – 15A:** 15 ampere gangable version of fuseholder is keyed to prevent insertion of 20 ampere fuse.

**AGENCY APPROVALS:** Recognized under the Components Program of Underwriters Laboratories and the Components Acceptance Program of CSA.

**AGENCY FILE NUMBERS:** UL E14721, CSA LR 29862

### SPECIFICATIONS:

**PCB Mount and Panel Mount – 15A:** Rated at 15 amperes up to 125 VAC/VDC

**Body Material:** Thermoplastic

**Fuse Terminals:** Tin-plated Beryllium Copper

**Alarm Terminal:** Tin-plated Brass

**Operating Temperature:** -55°C to + 125°C

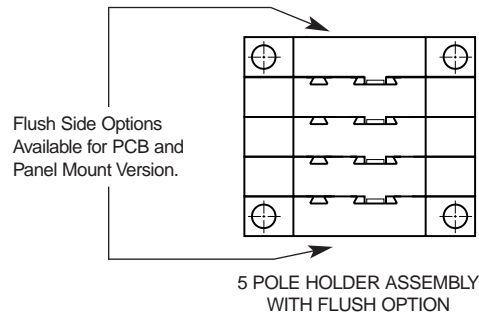
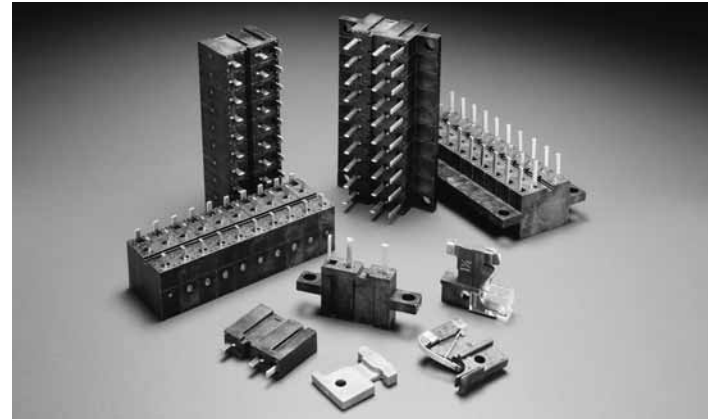
**Panel Mount – 20A:** Rated at 20 amperes up to 125 VAC/VDC

**Body Material:** Black Phenolic

**Fuse Terminals:** Tin-plated Beryllium Copper

**Alarm Terminal:** Tin-plated Brass

**Operating Temperature:** -40°C to + 85°C

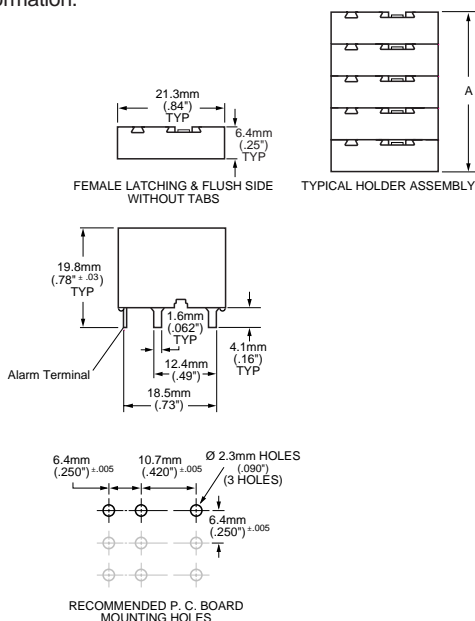


12  
BLADE TERMINAL AND SPECIAL PURPOSE FUSES

## 482 Series PCB Mount Fuseholder



**PCB Mount – 15A:** 15 ampere gangable version of fuseholder is keyed to prevent insertion of 20 ampere fuse. Please contact Littelfuse for ordering information.



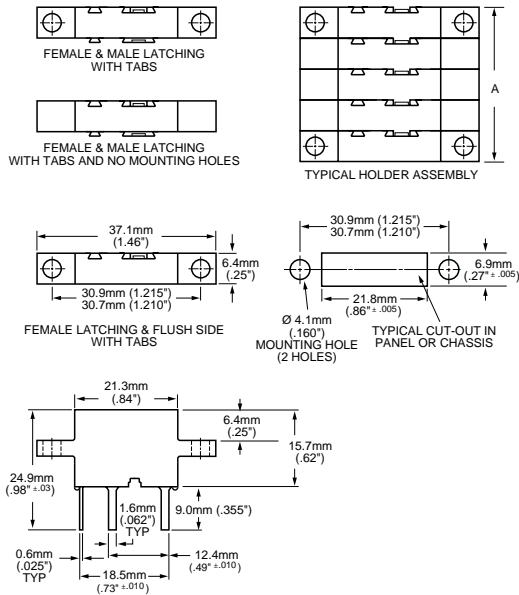
### ORDERING INFORMATION: PCB Mount

Catalog Number PCB Mount	Catalog Number PCB Mount Flush	Type	Length (A)
0482 0001ZXB	0482 0001ZXB	1 Pole	6.40mm (.25")
0482 0002ZXB	0482 0002ZXB	2 Pole	12.80mm (.50")
0482 0003ZXB	0482 0003ZXB	3 Pole	19.05mm (.75")
0482 0004ZXB	0482 0004ZXB	4 Pole	25.40mm (1.0")
0482 0005ZXB	0482 0005ZXB	5 Pole	31.75mm (1.25")
0482 0006ZXB	0482 0006ZXB	6 Pole	38.10mm (1.50")
0482 0007ZXB	0482 0007ZXB	7 Pole	44.45mm (1.75")
0482 0008ZXB	0482 0008ZXB	8 Pole	50.80mm (2.00")
0482 0009ZXB	0482 0009ZXB	9 Pole	57.15mm (2.25")
0482 0010ZXB	0482 0010ZXB	10 Pole	63.50mm (2.50")
0482 0011ZXB	0482 0011ZXB	11 Pole	69.85mm (2.75")
0482 0012ZXB	0482 0012ZXB	12 Pole	76.20mm (3.00")
0482 0013ZXB	0482 0013ZXB	13 Pole	82.55mm (3.25")
0482 0014ZXB	0482 0014ZXB	14 Pole	88.90mm (3.50")
0482 0015ZXB	0482 0015ZXB	15 Pole	95.25mm (3.75")
0482 0016ZXB	0482 0016ZXB	16 Pole	101.60mm (4.00")
0482 0017ZXB	0482 0017ZXB	17 Pole	107.95mm (4.25")
0482 0018ZXB	0482 0018ZXB	18 Pole	114.30mm (4.50")
0482 0019ZXB	0482 0019ZXB	19 Pole	120.65mm (4.75")
0482 0020ZXB	0482 0020ZXB	20 Pole	127.00mm (5.00")

# Blade Terminal & Special Purpose Fuses

## 482 Series Panel Mount Fuseholder

**Panel Mount – 15A:** 15 ampere gangable version of fuseholder is keyed to prevent insertion of 20 ampere fuse. Please contact Littelfuse for ordering information.



### ORDERING INFORMATION: Panel Mount –15A

Catalog Number Panel Mount	Catalog Number Panel Mount Flush	Type	Length (A)
0482 0001ZXP	0482 0001ZXPF	1 Pole	6.40mm (.25")
0482 0002ZXP	0482 0002ZXPF	2 Pole	12.80mm (.50")
0482 0003ZXP	0482 0003ZXPF	3 Pole	19.05mm (.75")
0482 0004ZXP	0482 0004ZXPF	4 Pole	25.40mm (1.0")
0482 0005ZXP	0482 0005ZXPF	5 Pole	31.75mm (1.25")
0482 0006ZXP	0482 0006ZXPF	6 Pole	38.10mm (1.50")
0482 0007ZXP	0482 0007ZXPF	7 Pole	44.45mm (1.75")
0482 0008ZXP	0482 0008ZXPF	8 Pole	50.80mm (2.00")
0482 0009ZXP	0482 0009ZXPF	9 Pole	57.15mm (2.25")
0482 0010ZXP	0482 0010ZXPF	10 Pole	63.50mm (2.50")
0482 0011ZXP	0482 0011ZXPF	11 Pole	69.85mm (2.75")
0482 0012ZXP	0482 0012ZXPF	12 Pole	76.20mm (3.00")
0482 0013ZXP	0482 0013ZXPF	13 Pole	82.55mm (3.25")
0482 0014ZXP	0482 0014ZXPF	14 Pole	88.90mm (3.50")
0482 0015ZXP	0482 0015ZXPF	15 Pole	95.25mm (3.75")
0482 0016ZXP	0482 0016ZXPF	16 Pole	101.60mm (4.00")
0482 0017ZXP	0482 0017ZXPF	17 Pole	107.95mm (4.25")
0482 0018ZXP	0482 0018ZXPF	18 Pole	114.30mm (4.50")
0482 0019ZXP	0482 0019ZXPF	19 Pole	120.65mm (4.75")
0482 0020ZXP	0482 0020ZXPF	20 Pole	127.00mm (5.00")

## 482 Series 20A Panel Mount Fuseholder

**Panel Mount – 20A:** The 20 ampere single pole holder is designed to accept all fuse ratings up to 20 amperes. 20 ampere fuseholders should be spaced 12.7mm (0.50) apart when loaded to maximum capacity, center to center to insure proper heat dissipation under normal operation. Heatsinking may be required for operation in higher ambient temperatures or alternate configurations.

**AGENCY APPROVALS:** Recognized under the Components Program of Underwriters Laboratories and the Components Acceptance Program of CSA.

**AGENCY FILE NUMBERS:** UL E71611, CSA LR 29862

### SPECIFICATIONS:

**Panel Mount – 20A:** Rated at 20 amperes up to 125 VAC/VDC

**Body Material:** Black Phenolic

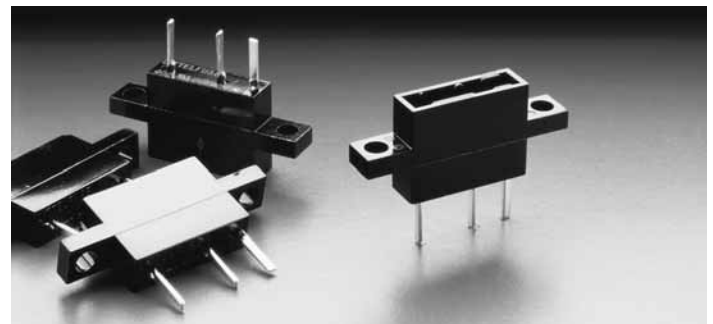
**Fuse Terminals:** Tin-plated Copper Alloy

**Alarm Terminal:** Tin-plated Copper Alloy

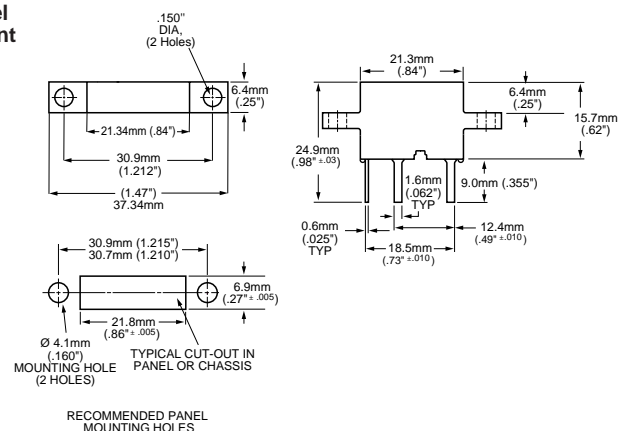
**Operating Temperature:** -40° to +85°C

### ORDERING INFORMATION:

**CATALOG NUMBER:** 0482 2001ZXP



**Panel Mount**



\* For additional terminal lengths please contact Littelfuse.