



- $\pm 2\%$ of Full Scale Accuracy
- Calibration not Affected by Steel Panels
- UL Recognized
- Distinctive Case Style
- Phenolic Case With Glass Windows
- Three Popular Sizes: 2-1/2", 3-1/2", 4-1/2"



For industrial or commercial applications, the Rectangular style panel meter offers maximum reliability and $\pm 2\%$ full scale (F.S.) accuracy. With a black phenolic case and glass window for optimum viewing, the Rectangular style meter is a popular replacement. DC units are available in either the standard pivot and jewel or taut band suspension which provides optimum band length for shock protection. The self-shielded meter movement prevents magnetic interaction between the meter and a steel panel. Three popular sizes of 2-1/2", 3-1/2", and 4-1/2" are available to measure varying current ranges. This style meter is ideal for many other electrical functions. See the "Function Reference Table."

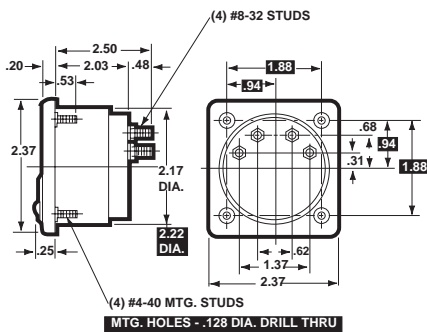
Model Number	Size	Meter Movement
127, 127T	2-1/2"	Annular
27, 27T	3-1/2"	Annular
29, 29T	4-1/2"	Annular

Dimensions and Compatibility

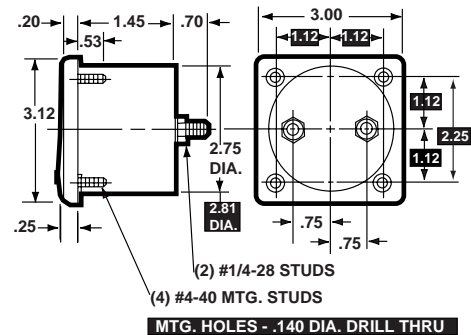
Note: "T" Model Suffix used for Taut-Band Movement.

2-1/2"-Model 127 & 127T

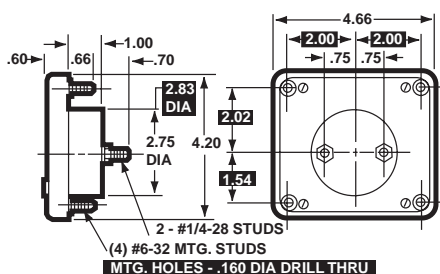
1 = Panel Meter Cut-out Dimensions



3-1/2"-Models 27 & 27T



4-1/2"-Models 29 & 29T



Compatibility Reference Table

Manufacturer	Size/Model		
	2-1/2"	3-1/2"	4-1/2"
Beede		15	16/458
Hoyt		598	648/684
Modutec PB Series	2PB*	3PB*	4PB
Triplett S Series	227-T	327-*T	420
Yokogawa Big Look	250-2 OPT.	250-3 OPT.	250-4 OPT. 1

*Modutec Meters use a three-stud mount.

Specifications

Accuracy: ±2% (F.S.)
Movement: Annular, self-shielding
Suspension: Models 27, 29, 127: Pivot and jewel
 Models 27T, 29T, 127T: Taut band
Tracking: ±3%
Shielding: Calibration is unaffected by magnetic panel mounting.
Response Time: 1.5 seconds maximum
Overload (1 sec.): 10 times F.S.
Overload (Continuous): 1.5 times F.S.
Repeatability: Models 27, 29, 127: 2%; Models 27T, 29T, 127T: 0.5%
Dial: Sharp clear scale. Each dial arc is calibrated to track the specific type of movement used.

Repeatability: Models 27, 29, 127: 2%
 Models 27T, 29T, 127T: 0.5%
Resistance: ±15%
Operating Temperature: -4°F to +149°F (-20°C to +65°C)
Case: High density black phenolic
Pointer: Spade pointer, with black matte finish
Scale Length: Models 27, 27T: 2.5" (63.5mm)
 Models 29, 29T: 3.9" (99.0mm)
 Models 127, 127T: 1.8" (45.7mm)
Net Weight: Models 27 & 27T: 8oz (0.23kg)
 Models 29 & 29T: 11oz (0.31kg)
 Models 127 & 127T: 7oz (0.20kg)

Ordering Information

DC Microammeters

Range	Approx. Impedance (Ohms)	Model/Size and Catalog Number		
		2-1/2" Model 127	3-1/2" Model 27	4-1/2" Model 29
0-50	1800	04260	03860	03960
0-100	1800	04270	03870	03970
0-200	1100	04280	03880	03980
0-500	90	<>	03890	03990
25-0-25	1800	04243	03900	04000
50-0-50	1800	04245	03910	04010
100-0-100	1100	04247	03920	04020
500-0-500	43	<>	03930	04030

<> Available on special order.

Taut-Band DC Microammeters

Range	Approx. Impedance (Ohms)	Model/Size and Catalog Number		
		2-1/2" Model 127T	3-1/2" Model 27T	4-1/2" Model 29T
0-10	4900	04246	03839	03939
0-15	1960	04248	03841	03941
0-25	1960	04251	03851	03951
0-50	960	04261	03861	03961
0-100	500	<>	03871	03971

DC Milliammeters

Range	Approx. Impedance (Ohms)	Model/Size and Catalog Number		
		2-1/2" Model 127	3-1/2" Model 27	4-1/2" Model 29
0-1	43.0	05760	04790	05070
0-1.5	43.0	<>	04810	05080
0-3	2.0	05790	04820	05090
0-5	2.0	05800	04830	05100
0-10	10.0	05810	04840	05110
0-15	6.6	05830	04860	05120
0-20	5.0	<>	04880	05130
0-25	4.0	05860	04890	05140
0-50	2.0	05880	04910	05150
0-75	1.3	<>	<>	<>
0-100	1.0	05910	04940	05170
0-150	.66	05930	04960	05180
0-200	.5	05940	04980	05190
0-250	.4	<>	05000	05200
0-300	.33	<>	05010	05210
0-500	.2	05990	05030	05220
0-750	.13	<>	05050	05230
0-1000	.05	06020	05060	05240

DC Current Meters

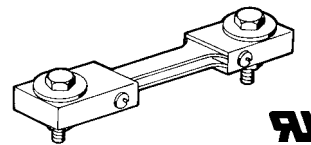
Range	Approx. Impedance (Ohms)	Model/Size and Catalog Number		
		2-1/2" Model 127	3-1/2" Model 27	4-1/2" Model 29
0-1	.050	01680	00230	00450
0-1.5	.033	01690	00240	00460
0-2	.025	01709	00250	00470
0-3	.0166	01710	00260	00480
0-5	.010	01720	00270	00490
0-10	.005	01730	00280	00500
0-15	.0033	01740	00290	00512
0-25	.0020	01750	00300	00520
0-30	.0017	01760	00310	00530
0-50	.001	01770	00320	00540
0-75	10.0	01780†	00330†	00550†
0-100	10.0	01790†	00340†	00560†
0-150	10.0	01800†	00350†	00570†
0-200	10.0	01810†	<>	00580†
0-250	10.0	<>	<>	00590†
0-300	10.0	<>	00380†	00600†
0-500	10.0	<>	00390†	00610†
0-750	10.0	<>	00400†	00620†
0-1000	10.0	<>	00410†	00630†
15-0-15	.0033	<>	<>	00640
30-0-30	.0017	01880	00430	00650
50-0-50	.001	01890	00440	00660

† DC current meters are self-contained for ranges up to and including 50 amperes. Higher range DC current meters (50 mV) listed above are calibrated for 5 ft. leads and require external shunts, described below
 <> Available on special order.

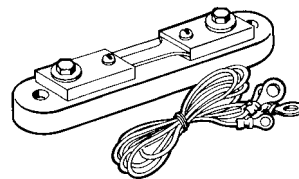
Accessories

External Portable and Switchboard Shunts

Switchboard



Portable



These shunts are adjusted for a 50 millivolt drop for use with switchboard and panel current meters where external shunts are required. Portable shunts have a phenolic base and accept up to 200 amperes. Accuracy 61%, 5' leads (0.065 V resistance) included.

Portable Shunts 50 mV

Amps	Cat. Number
1	06700
5	06703
10	06704
15	06705
25	06707
30	06708
50	06709
75	06711
100	06713
150	06714
200	06715

Portable Shunts 100 mV

Amps	Cat. Number
10	06716
100	06717

NOTE: 5' leads not included

Switchboard Shunts 50 mV

Amps	Cat. Number
100	06500
150	06503
200	06504
250	06505
300	06506
400	06507
500	06508

Function Reference Table

For your convenience, the table below lists Rectangular models for other electrical monitoring functions with page number reference.

Function	Section	Page
AC Current	E	19
AC Voltage	E	39
DC Voltage	E	79
Watts	E	111