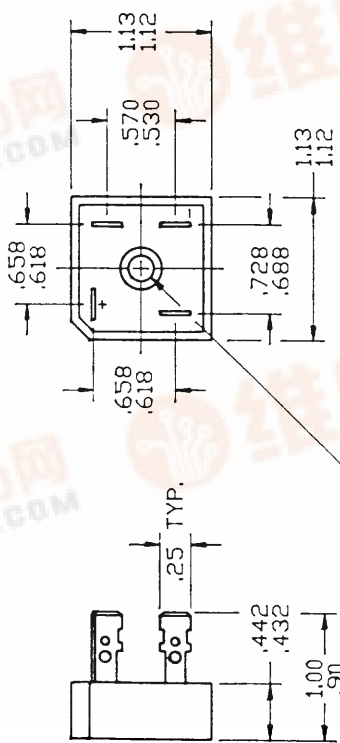


REV.	DESCRIPTION	DATE	APPROVED
1	DRAWN PER E 910 967	JW 8/4	

THIS DOCUMENT AND THE DATA DISCLOSED HEREIN OR HEREWITH IS NOT TO BE REPRODUCED, USED, OR DISCLOSED IN WHOLE OR IN PART TO ANYONE WITHOUT PERMISSION OF VICOR CORP.

### MAXIMUM RATINGS AND ELECTRICAL CHARACTERISTICS

MAXIMUM RECURRENT PEAK REVERSE VOLTAGE	V <sub>RRM</sub>	600	VOLTS
MAXIMUM RMS VOLTAGE	V <sub>RMS</sub>	420	VOLTS
MAXIMUM DC BLOCKING VOLTAGE	V <sub>DC</sub>	600	VOLTS
MAXIMUM AVERAGE FORWARD RECTIFIED OUTPUT CURRENT @ T <sub>c</sub> = 55°C	I <sub>AV</sub>	3.0	AMPS
PEAK FORWARD SURGE CURRENT SINGLE HALF SINE-WAVE SUPERIMPOSED ON RATED LOAD (JEDEC METHOD)	I <sub>FSM</sub>	400	AMPS
RATING (NON-REPETITIVE, FOR t GREATER THAN 1 MS & LESS THAN 8.3 MS)	I <sup>2</sup> t	660	A <sup>2</sup> s
MAXIMUM INSTANTANEOUS FORWARD VOLTAGE DROP PER ELEMENT AT SPECIFIED CURRENT	V <sub>f</sub>	1.2	VOLTS
ISOLATION VOLTAGE FROM CASE TO LEADS	V <sub>ac</sub>	2500	VOLTS
MAXIMUM REVERSE DC CURRENT @	I <sub>R</sub>	10.0	uA
RATED DC BLOCKING VOLTAGE PER ELEMENT	θ <sub>JC</sub>	2.0	°C/W
TYPICAL THERMAL RESISTANCE	T <sub>J</sub> , T <sub>STG</sub>	-55 TO +150	°C
OPERATING & STORAGE TEMPERATURE RANGE			



THRU HOLE HAS CLEARANCE FOR #8 (.193 DIA.) SCREW

APPROVALS		DATE
DRAWN J. WITEK		7/91
CHECKED:		
REVIEWED:		
APP'D		8/91
UNLESS OTHERWISE SPECIFIED DIMENSIONS ARE IN INCHES TOLERANCES ARE:		
FRACTIONS	DECIMALS	ANGLES
± 1/64	.XX ± .01	± 1°
	.XXX ± .005	
THIRD ANGLE PROJECTION		
DO NOT SCALE DRAWING		
BRIDGE RECTIFIER, 600V, 35A		
SIZE	FSCM NO.	REV
B	67131	1
DWG. NO. 05963		
SCALE FULL		SHEET 1 OF 1

