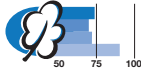


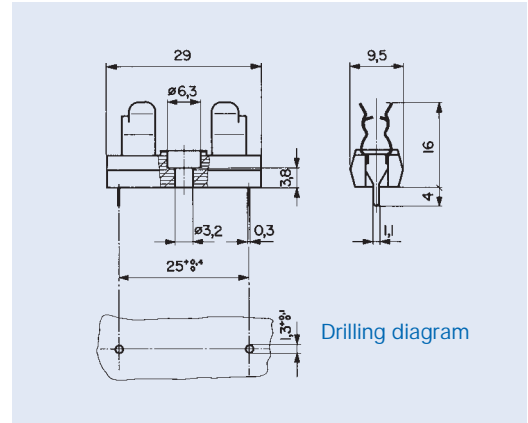
**Fuseholder  
open design  
Type OG**



0031.8001



Cover  
0853.9561



- PCB-terminals, tin-plated

**Technical data**

- Rated voltage: 250 V
- Rated current: 10 A
- Rated power acceptance at ambient air temperature  $T_a$  23 °C:  
without cover: 2,5 W  
with cover: 2 W
- Power acceptance at higher  $T_a$ :  
see derating curves  
Take note of the information  
on pages 215–219
- Allowable ambient air  
temperatures  $T_a$ : -40 °C to +85 °C
- Contact resistance: 5 mΩ
- Dielectric strength: 4 kV, 50 Hz,  
1 Min. between metal board and  
terminals
- Materials  
socket: thermoset, UL 94V-0  
clips: copper-alloy, tin-plated

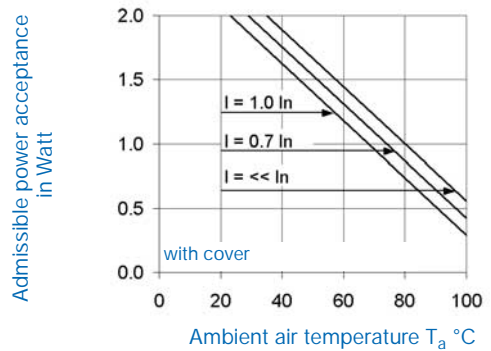
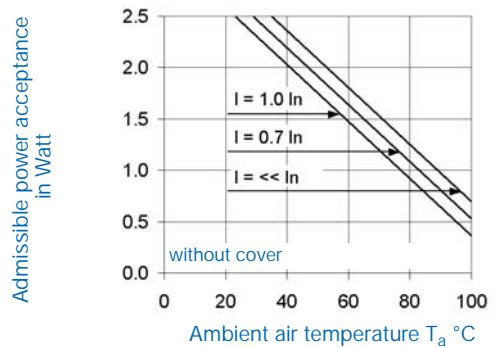
**Standards**

IEC 60127-6  
EN 60127-6  
UL 512, CSA C22.2-39

**Approvals**

UL (10 A/250 V)  
CSA (10 A/250 V)

**Derating curves**



Order No.		
0031.8001	Fuseholder, black	
0853.9561	Cover	More technical data see page 183

# FUSEHOLDERS

PCB mount

OG

for 5 × 20 mm

## Fuseholder open design Type OG

through hole mounting



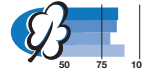
with straight terminals

0751.0052/62



with "kicked" terminals

0751.0110



### Technical data

- Rated voltage: 250 V\*
- Rated current: 6,3 A: 0751.0052/62  
0751.0110
- Rated power acceptance at ambient air temperature  $T_a$  23 °C: 2,5 resp. 2,0 W\*
- Power acceptance depending on the ambient air temperature  $T_a$ : see derating curves  
Additional information see pages 215–219
- Allowable ambient air temperatures  $T_a$ : -40 °C to +85 °C
- Contact resistance: 5 mΩ\*
- Clip-Material: bronze or brass, tin-plated

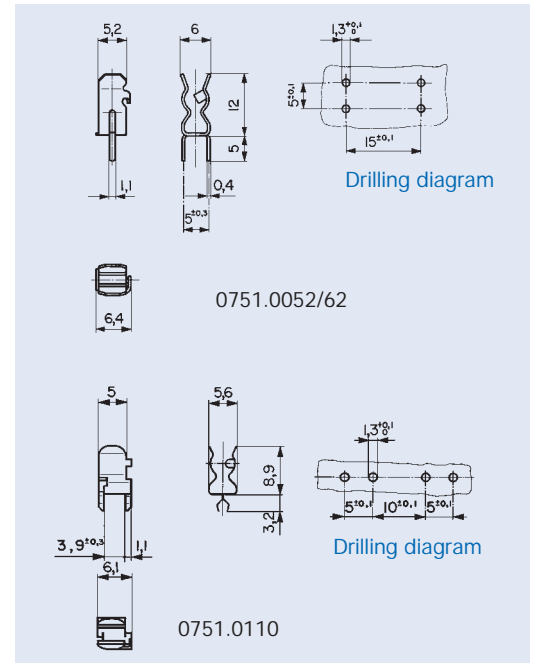
\*between 2 clips

### Standards

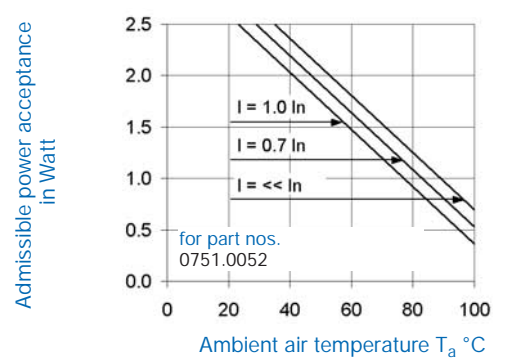
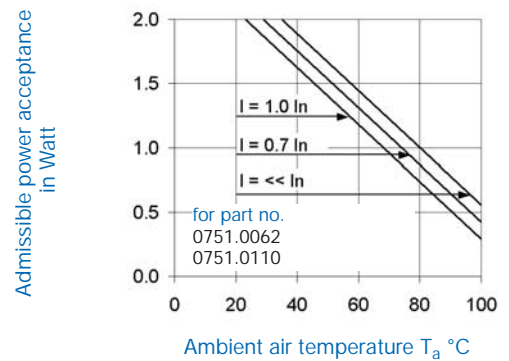
IEC 60127-6  
EN 60127-6  
UL 512

### Approvals

UL: 0751.0052 (6,3 A/250 V)



### Derating curves



Order No.		Terminals
0751.0052	Clip, bronze, tin-plated	straight
0751.0062	Clip, brass, tin-plated	
0751.0110	Clip, brass, tin-plated	"kicked"