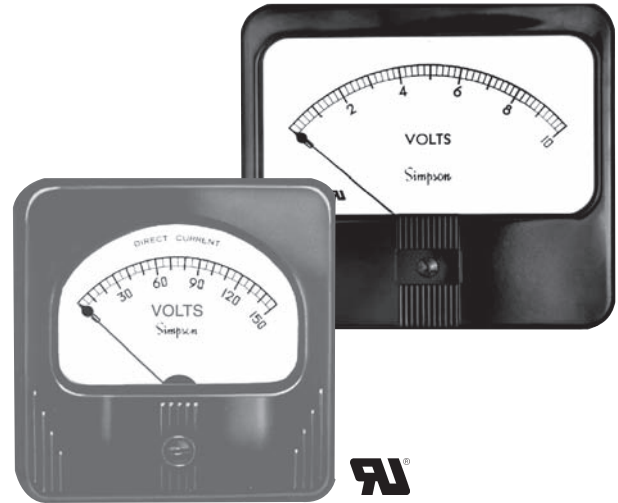




- $\pm 2\%$ of Full Scale Accuracy
- Calibration not Affected by Steel Panels
- UL Recognized
- Distinctive Case Style
- Phenolic Case With Glass Windows
- Three Popular Sizes: 2-1/2", 3-1/2", 4-1/2"

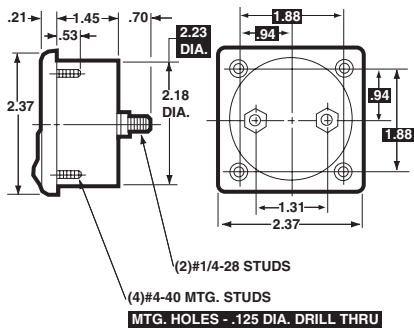


For industrial or commercial applications, the Rectangular style panel meter offers maximum reliability and $\pm 2\%$ full scale (F.S.) accuracy. With a black phenolic case and glass window for optimum viewing, the Rectangular style meter is a popular replacement. All DC units have pivot and jewel suspensions that are spring-loaded for shock protection. The self-shielded meter movement prevents magnetic interaction between the meter and a steel panel. Three popular sizes of 2-1/2", 3-1/2", and 4-1/2" are available to measure various voltage ranges up to 5000 volts. High voltage ranges are furnished with external multipliers. This style meter is ideal for many other electrical functions. See the "Function Reference Table."

Model Number	Size	Meter Movement
127	2-1/2"	Annular, Self-shielding
27	3-1/2"	Annular, Self-shielding
29	4-1/2"	Annular, Self-shielding

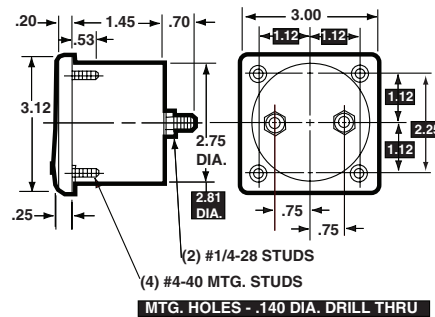
Dimensions and Compatibility

2-1/2"-Model 127

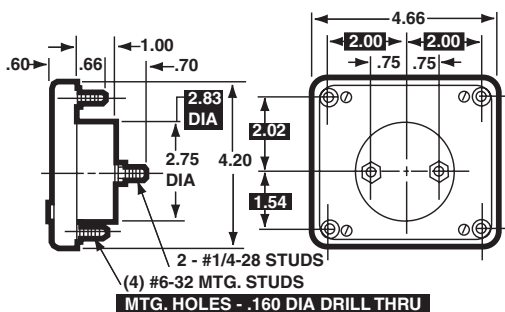


1 = Panel Meter Cut-out Dimensions

3-1/2"-Models 27



4-1/2"-Models 29



Compatibility Reference Table

Manufacturer	Size/Model		
	2-1/2"	3-1/2"	4-1/2"
Beede		15	16/458
Hoyt		598	648/684
Modutec PB Series	2PB*	3PB*	4PB
Triplett S Series	227-T	327-*T	420
Yokogawa Big Look	250-2 OPT.	250-3 OPT.	250-4 OPT. 1

*Modutec Meters use a three-stud mount.

Specifications

Accuracy:	±2% F.S.
Movement:	Annular, self-shielding
Suspension:	Pivot and jewel
Tracking:	±3%
Shielding:	Calibration is unaffected by magnetic panel mounting
Response Time:	1.5 seconds maximum
Overload (1 sec.):	10 times F.S.
Overload (Continuous):	1.5 times F.S.
Repeatability:	2%
Dial:	Sharp clear scale. Each dial arc is calibrated to track the specific type of movement used.

Resistance:	±15%
Operating Temperature:	-4°F to +149°F (-20°C to +65°C)
Case:	High density black phenolic
Pointer:	Spade pointer, with black matte finish
Scale Length:	Model 27: 2.5" (63.5mm) Model 29: 3.9" (99.0mm) Model 127: 1.8" (45.7mm)
Net Weight:	Model 27: 8oz (0.23kg) Model 29: 11oz (0.31kg) Model 127: 7oz (0.20kg)

Ordering Information

DC Millivolt Meters Self-Shielding Meter Movement

Range	Approx. Impedance (Ohms)	Model/Size and Catalog Number		
		2-1/2" Model 127	3-1/2" Model 27	4-1/2" Model 29
0-50	10.0	06990	06930	06950
0-100	20.0	<>	06940	06960

<> Available on special order.

DC Voltage Meters Self-Shielding Meter Movement

Range	Approx. Impedance (Ohms)	Model/Size and Catalog Number		
		2-1/2" Model 127	3-1/2" Model 27	4-1/2" Model 29
0-1.5	1000 ohms per volt	09020	07290	07620
0-3		09030	07300	07630
0-5		09040	07310	07640
0-8		09050	<>	07650
0-10		09060	07330	07660
0-15		09080	07350	07670
0-25		09090	07360	07680
0-30		09100	07370	07690
0-50		09110	07380	07700
0-100		09130	07400	07710
0-150		09140	07410	07720
0-200		09160	07430	07730
0-250		09170	07440	07740
0-300		09180	07450	07750
0-500		09200	07470	07760
0-750	<>	07490	07770	
0-1000	2000 ohms per volt	<>	07495†	07780†
0-1500		<>	07520†	07790†
0-2000		09225†	07530†	07800†
0-2500		<>	07550†	07810†
0-3000		<>	07560†	07820†
0-4000		<>	<>	07830†
0-5000		<>	07600†	07840†

† External multipliers, Model 183, are furnished on 2-1/2" DC meters 750 volts or higher; and on 3-1/2" and 4-1/2" DC meters 1000 volts or higher. All others are self contained.

<> Available on special order.

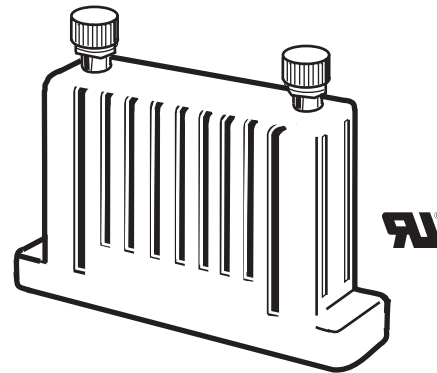
Function Reference Table

For your convenience, the table below lists Rectangle models for other electrical monitoring functions and page reference.

Function	Section	Page
AC Current	E	19
AC Voltage	E	39
DC Current	E	59
Watts	E	111

Accessories

Model 183 Multiplier



The Model 183 external multiplier enables a voltage meter to monitor up to 5000 DC volts. An external multiplier is used with a 500 DC mA instrument that is scaled proportionally to your measurement range. The model 183 is included with all 1-1/2" meters 500 volts or higher, with all 2-1/2" DC voltage meters 750 volts or higher; and with 3-1/2" and 4-1/2" DC voltage meters 1000 volts or higher. All others are self-contained. Simpson's external multipliers are available for immediate delivery from your local distributor. Other intermediate ranges are available at minimum quantities on special order.

Ordering Information

DC Volts — 2000 Ohms/Volt

Range	Multiplier Resistance Megohms	Meter Sensitivity DC μ A	Catalog Number
0-500	1	500	08552
0-1000	2	500	08554
0-2000	4	500	08557
0-4000	8	500	08560
0-5000	10	500	08561