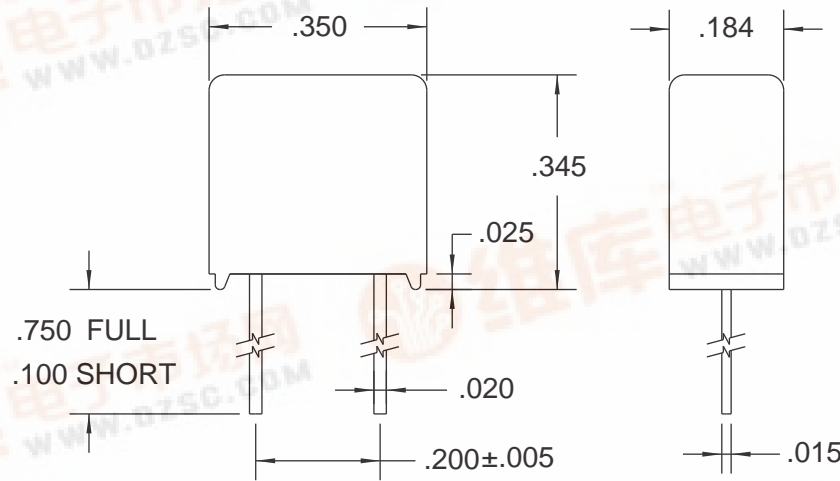


VICOR CONFIDENTIAL
 THIS DOCUMENT AND THE DATA DISCLOSED
 HEREIN OR HEREWITH IS NOT TO BE REPRODUCED,
 USED, OR DISCLOSED IN WHOLE OR IN PART
 TO ANYONE WITHOUT PERMISSION OF VICOR CORP.

REV.	DESCRIPTION	DATE	APP'D
1	DRAWN 5/10/93	HHC	
01	REVISED & RELEASED E930638JFW		

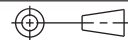


NOTES:


- 1.) TIME CURRENT CHARACTERISTICS: CARRY 100% OF RATING FOR 4.0 HRS. MINIMUM, OPEN OF 200% OF RATING IN 10 SECONDS MAXIMUM. (NON-TIME DELAY).
- 2.) AGENCY APPROVALS:
 PCB, PCC, PCD, PDE, PCF, PCH & PCI. UL RECOGNIZED: FILE E19180.
 GUIDE JDYX2. (PCC APPROVAL PENDING)
 CSA CERTIFIED: FILE 42731, CLASS 1421-01.
 PCG CERTIFICATION PENDING.
- 3.) RATINGS 2.5 AMPS, 250 V.
- 4.) COLD RESISTANCE DATA: (10% RATED CURRENT) NOMINAL VALUE 2.5 A - .10 Ω

MARKING:
 MFG. ID/PF CODE

UNLESS OTHERWISE SPECIFIED
 DIMENSIONS ARE IN INCHES
 TOLERANCES ARE:
 FRACTIONS DECIMALS ANGLES
 ± 1/64 ± .XX .01 ± 1°
 ± .XXX .005

THIRD ANGLE PROJECTION

 DO NOT SCALE DRAWING

APPROVALS	DATE
DRAWN:	5/10/93
CHECKED:	
ISSUED:	
APP'D	

			
BUSS FUSE, PC-TRON 2.5A			
SIZE	FSCM NO.	DWG. NO.	REV.
B	67131	08395	01
SCALE	NONE	SHEET 1 OF 1	

