

## Low-Noise, High-Speed, 16-Bit Accurate, CMOS OPERATIONAL AMPLIFIER

### FEATURES

- High Bandwidth: 150MHz
- 16-Bit Settling in 150ns
- Low Noise:  $3\text{nV}/\sqrt{\text{Hz}}$
- Low Distortion: 0.003%
- Low Power: 9.5mA (typ) on 5.5V
- Shutdown to  $5\mu\text{A}$
- Unity-Gain Stable
- Excellent Output Swing:  
(V+) – 100mV to (V–) + 100mV
- Single Supply: +2.7V to +5.5V
- Tiny Packages: MSOP and SOT23

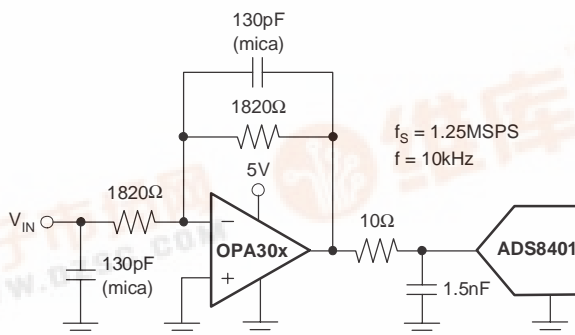
### APPLICATIONS

- 16-Bit ADC Input Drivers
- Low-Noise Preamplifiers
- IF/RF Amplifiers
- Active Filtering

### DESCRIPTION

The OPA300 and OPA301 series high-speed, voltage-feedback, CMOS operational amplifiers are designed for 16-bit resolution systems. The OPA300/OPA301 series are unity-gain stable and feature excellent settling and harmonic distortion specifications. Low power applications benefit from low quiescent current. The OPA300 and OPA2300 feature a digital shutdown (Enable) function to provide additional power savings during idle periods. Optimized for single-supply operation, the OPA300/OPA301 series offer superior output swing and excellent common-mode range.

The OPA300 and OPA301 series op amps have 150MHz of unity-gain bandwidth, low  $3\text{nV}/\sqrt{\text{Hz}}$  voltage noise, and 0.1% settling within 30ns. Single-supply operation from 2.7V ( $\pm 1.35\text{V}$ ) to 5.5V ( $\pm 2.75\text{V}$ ) and an available shutdown function that reduces supply current to  $5\mu\text{A}$  are useful for portable low-power applications. The OPA300 and OPA301 are available in SO-8 and SOT-23 packages. The OPA2300 is available in MSOP-10, and the OPA2301 is available in SO-8 and MSOP-8. All versions are specified over the industrial temperature range of  $-40^\circ\text{C}$  to  $+125^\circ\text{C}$ .



Typical Application



**PACKAGE/ORDERING INFORMATION(1)**

| PRODUCT | PACKAGE-LEAD | PACKAGE DESIGNATOR | PACKAGE MARKING |
|---------|--------------|--------------------|-----------------|
| OPA300  | SO-8         | D                  | 300A            |
| OPA300  | SOT23-6      | DBV                | A52             |
| OPA301  | SO-8         | D                  | 301A            |
| OPA301  | SOT23-5      | DBV                | AUP             |
| OPA2300 | MSOP-10      | DGS                | C01             |
| OPA2301 | SO-8         | D                  | OPA2301A        |
| OPA2301 | MSOP-8       | DGK                | C02             |

(1) For the most current package and ordering information, see the Package Option Addendum at the end of this document, or see the TI website at www.ti.com.

**ABSOLUTE MAXIMUM RATINGS**

over operating free-air temperature range unless otherwise noted(1)

|                                    |                     |
|------------------------------------|---------------------|
| Power Supply V+                    | 7V                  |
| Signal Input Terminals(2), Voltage | 0.5V to (V+) + 0.5V |
| Current                            | ±10mA               |
| Open Short-Circuit Current(3)      | Continuous          |
| Operating Temperature Range        | -55°C to +125°C     |
| Storage Temperature Range          | -60°C to +150°C     |
| Junction Temperature               | +150°C              |
| Lead Temperature (soldering, 10s)  | +300°C              |
| ESD Ratings                        |                     |
| Human Body Model (HBM)             | 4kV                 |
| Charged-Device Model (CDM)         | 500V                |

- (1) Stresses above these ratings may cause permanent damage. Exposure to absolute maximum conditions for extended periods may degrade device reliability. These are stress ratings only, and functional operation of the device at these or any other conditions beyond those specified is not implied.
- (2) Input terminals are diode clamped to the power-supply rails. Input signals that can swing more than 0.5V beyond the supply rails should be current limited to 10mA or less.
- (3) Short-circuit to ground; one amplifier per package.

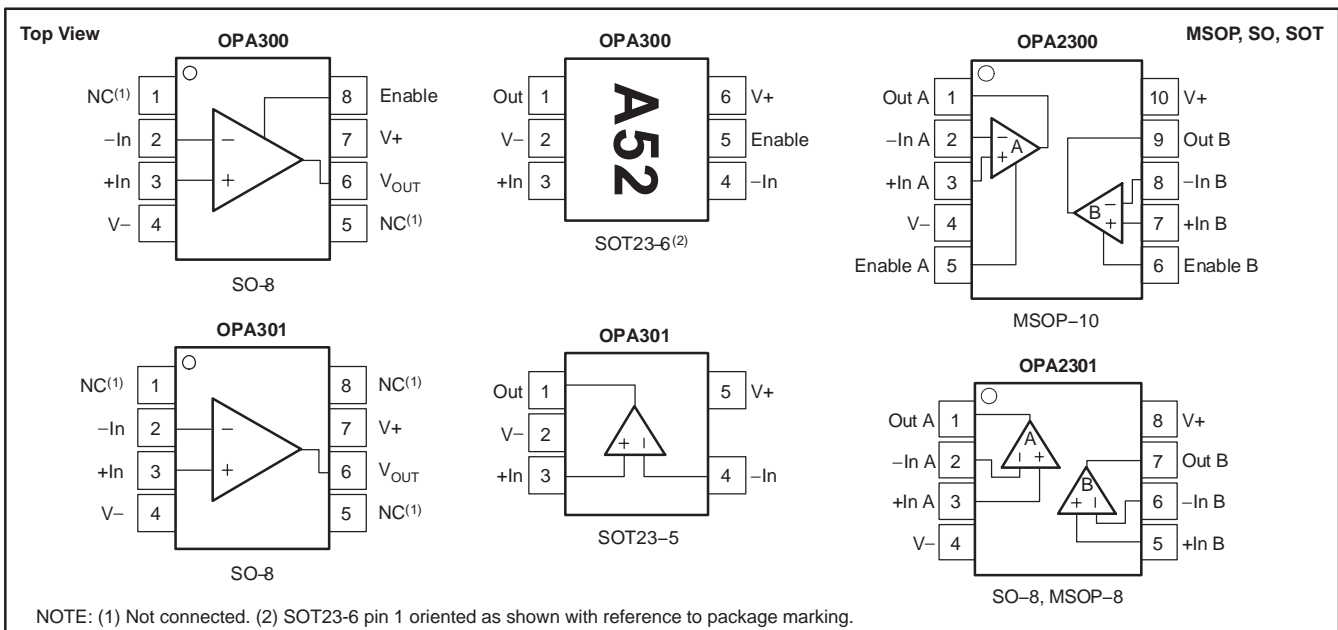
**ELECTROSTATIC DISCHARGE SENSITIVITY**



This integrated circuit can be damaged by ESD. Texas Instruments recommends that all integrated circuits be handled with appropriate precautions. Failure to observe proper handling and installation procedures can cause damage.

ESD damage can range from subtle performance degradation to complete device failure. Precision integrated circuits may be more susceptible to damage because very small parametric changes could cause the device not to meet its published specifications.

**PIN ASSIGNMENTS**



**ELECTRICAL CHARACTERISTICS:  $V_S = 2.7V$  to  $5.5V$** 
**Boldface** limits apply over the temperature range,  $T_A = -40^\circ\text{C}$  to  $+125^\circ\text{C}$ .

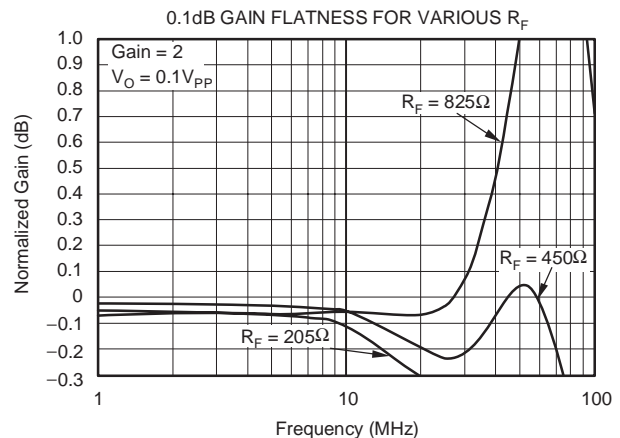
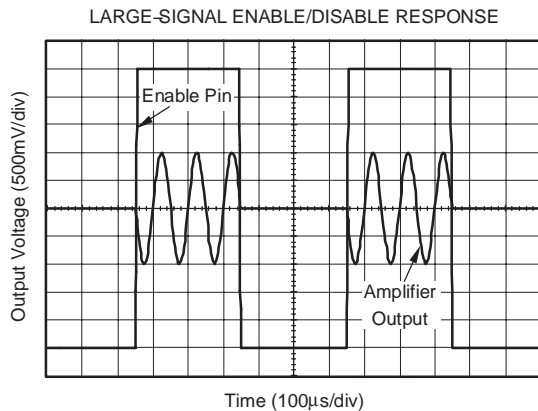
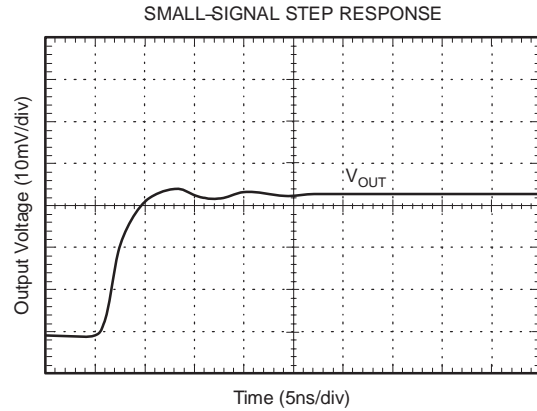
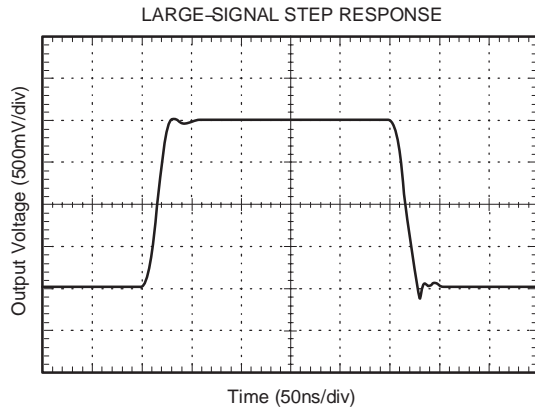
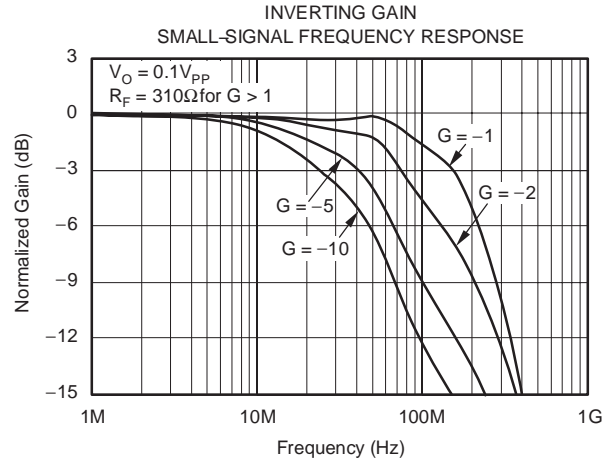
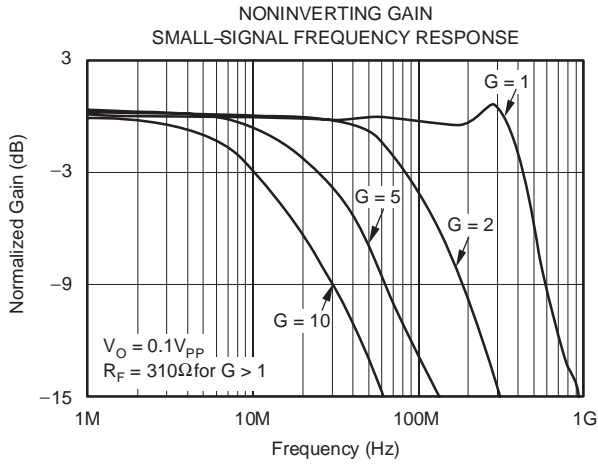
 All specifications at  $T_A = +25^\circ\text{C}$ ,  $R_L = 2k\Omega$  connected to  $V_S/2$ ,  $V_{OUT} = V_S/2$ , and  $V_{CM} = V_S/2$ , unless otherwise noted.

| PARAMETER  | TEST CONDITIONS   | OPA300, OPA301<br>OPA2300, OPA2301 |                             |              | UNITS                        |
|--|---|------------------------------------|-----------------------------|--------------|------------------------------|
|  |   | MIN                                | TYP                         | MAX          |                              |
| <b>OFFSET VOLTAGE</b>                                    |   |                                    |                             |              |                              |
| Input Offset Voltage $V_{OS}$                            | $V_S = 5V$  |                                    | 1                           | 5            | mV                           |
| <b>Over Temperature</b>                                  |   |                                    |                             | 7            | mV                           |
| <b>Drift</b> $dV_{OS}/dT$                                |   |                                    | 2.5                         |              | $\mu\text{V}/^\circ\text{C}$ |
| <b>vs. Power Supply</b> PSRR                             | $V_S = 2.7V$ to $5.5V$ , $V_{CM} < (V+) - 0.9V$             |                                    | 50                          | 200          | $\mu\text{V}/V$              |
| Channel Separation, dc                                   |   |                                    | 140                         |              | dB                           |
| $f = 5\text{MHz}$  |   |                                    | 100                         |              | dB                           |
| <b>INPUT VOLTAGE RANGE</b>                               |   |                                    |                             |              |                              |
| Common-Mode Voltage Range $V_{CM}$                       |   | $(V-) - 0.2$                       |                             | $(V+) - 0.9$ | V                            |
| <b>Common-Mode Rejection Ratio</b> CMRR                  | $(V-) - 0.2V < V_{CM} < (V+) - 0.9V$                        | 66                                 | 80                          |              | dB                           |
| <b>INPUT BIAS CURRENT</b>                                |   |                                    |                             |              |                              |
| Input Bias Current $I_B$                                 |   |                                    | $\pm 0.1$                   | $\pm 5$      | pA                           |
| Input Offset Current $I_{OS}$                            |   |                                    | $\pm 0.5$                   | $\pm 5$      | pA                           |
| <b>INPUT IMPEDANCE</b>                                   |   |                                    |                             |              |                              |
| Differential   |   |                                    | $10^{13} \parallel 3$       |              | $\Omega \parallel \text{pF}$ |
| Common-Mode  |   |                                    | $10^{13} \parallel 6$       |              | $\Omega \parallel \text{pF}$ |
| <b>NOISE</b>   |   |                                    |                             |              |                              |
| Input Voltage Noise, $f = 0.1\text{Hz}$ to $1\text{MHz}$ |   |                                    | 40                          |              | $\mu\text{V}_{PP}$           |
| Input Voltage Noise Density, $f > 1\text{MHz}$           |   |                                    | 3                           |              | $\text{nV}/\sqrt{\text{Hz}}$ |
| Input Current Noise Density, $f < 1\text{kHz}$           |   |                                    | 1.5                         |              | $\text{fA}/\sqrt{\text{Hz}}$ |
| Differential Gain Error                                  | NTSC, $R_L = 150\Omega$                                     |                                    | 0.01                        |              | %                            |
| Differential Phase Error                                 | NTSC, $R_L = 150\Omega$                                     |                                    | 0.1                         |              | $^\circ$                     |
| <b>OPEN-LOOP GAIN</b>                                    |   |                                    |                             |              |                              |
| Open-Loop Voltage Gain $A_{OL}$                          | $V_S = 5V$ , $R_L = 2k\Omega$ , $0.1V < V_O < 4.9V$         | 95                                 | 106                         |              | dB                           |
| <b>Over Temperature</b>                                  | $V_S = 5V$ , $R_L = 2k\Omega$ , $0.1V < V_O < 4.9V$         | 90                                 |                             |              | dB                           |
|  | $V_S = 5V$ , $R_L = 100\Omega$ , $0.5V < V_O < 4.5V$        | 95                                 | 106                         |              | dB                           |
| <b>Over Temperature</b>                                  | $V_S = 5V$ , $R_L = 100\Omega$ , $0.5V < V_O < 4.5V$        | 90                                 |                             |              | dB                           |
| <b>OUTPUT</b>  |   |                                    |                             |              |                              |
| Voltage Output Swing from Rail                           | $R_L = 2k\Omega$ , $A_{OL} > 95\text{dB}$                   |                                    | 75                          | 100          | mV                           |
|  | $R_L = 100\Omega$ , $A_{OL} > 95\text{dB}$                  |                                    | 300                         | 500          | mV                           |
| Short-Circuit Current $I_{SC}$                           |   |                                    | 70                          |              | mA                           |
| Capacitive Load Drive $C_{LOAD}$                         |   |                                    | See Typical Characteristics |              |                              |
| <b>FREQUENCY RESPONSE</b>                                |   |                                    |                             |              |                              |
| Gain-Bandwidth Product GBW                               | $G = +1$  |                                    | 150                         |              | MHz                          |
| Slew Rate SR   | $V_S = 5V$ , $2V$ Step, $G = +1$                            |                                    | 80                          |              | $\text{V}/\mu\text{s}$       |
| Settling Time, 0.01% $t_S$                               |   |                                    | 90                          |              | ns                           |
| 0.1% $t_S$   |   |                                    | 30                          |              | ns                           |
| Overload Recovery Time                                   | Gain = -1   |                                    | 30                          |              | ns                           |
| Total Harmonic Distortion + Noise THD+N                  | $V_S = 5V$ , $V_O = 3V_{PP}$ , $G = +1$ , $f = 1\text{kHz}$ |                                    | 0.003                       |              | %                            |
| <b>POWER SUPPLY</b>                                      |   |                                    |                             |              |                              |
| Specified Voltage Range $V_S$                            |   | 2.7                                |                             | 5.5          | V                            |
| Operating Voltage Range                                  |   |                                    | 2.7 to 5.5                  |              | V                            |
| Quiescent Current (per amplifier) $I_Q$                  | $I_Q = 0$   |                                    | 9.5                         | 12           | mA                           |
| <b>Over Temperature</b>                                  |   |                                    |                             | 13           | mA                           |
| <b>SHUTDOWN</b>  |   |                                    |                             |              |                              |
| $t_{OFF}$  |   |                                    | 40                          |              | ns                           |
| $t_{ON}$   |   |                                    | 5                           |              | $\mu\text{s}$                |
| $V_L$ (shutdown)   |   | $(V-) - 0.2$                       |                             | $(V-) + 0.8$ | V                            |
| $V_H$ (amplifier is active)                              |   | $(V-) + 2.5$                       |                             | $(V+) + 0.2$ | V                            |
| $I_{QSD}$ (per amplifier)                                |   |                                    | 3                           | 10           | $\mu\text{A}$                |
| <b>TEMPERATURE RANGE</b>                                 |   |                                    |                             |              |                              |
| Specified Range  |   | -40                                |                             | +125         | $^\circ\text{C}$             |
| Operating Range  |   | -55                                |                             | +125         | $^\circ\text{C}$             |
| Storage Range  |   | -60                                |                             | +150         | $^\circ\text{C}$             |
| Thermal Resistance $\theta_{JA}$                         |   |                                    |                             |              | $^\circ\text{C}/\text{W}$    |
| SO-8, MSOP-8, MSOP-10                                    |   |                                    | 150                         |              | $^\circ\text{C}/\text{W}$    |
| SOT23-5, SOT23-6   |   |                                    | 200                         |              | $^\circ\text{C}/\text{W}$    |

SBOS271B – MAY 2003 – REVISED JUNE 2005

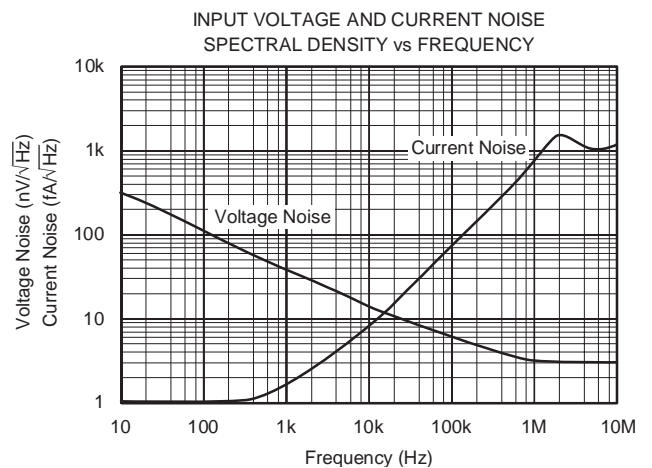
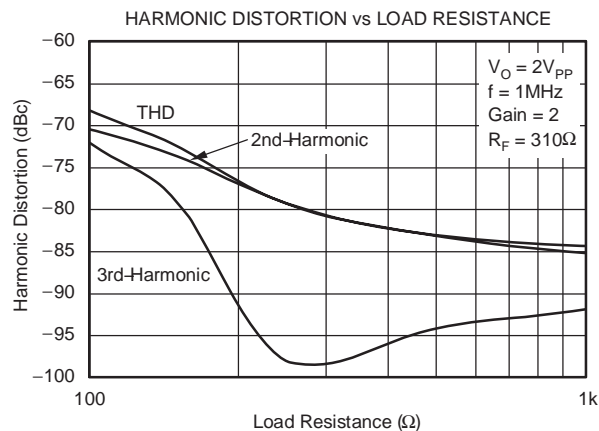
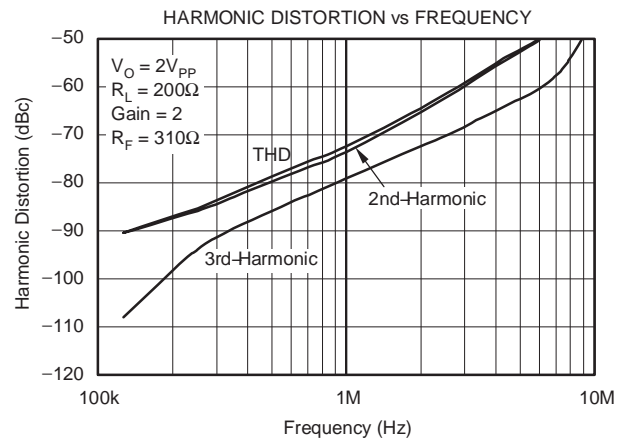
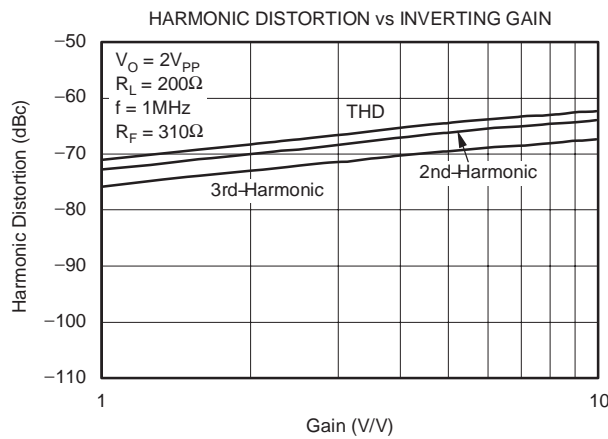
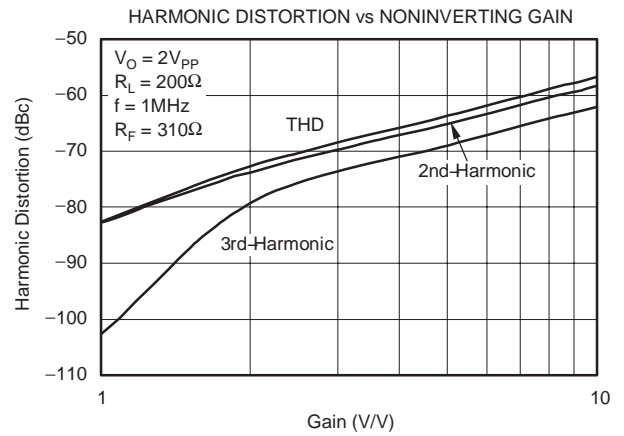
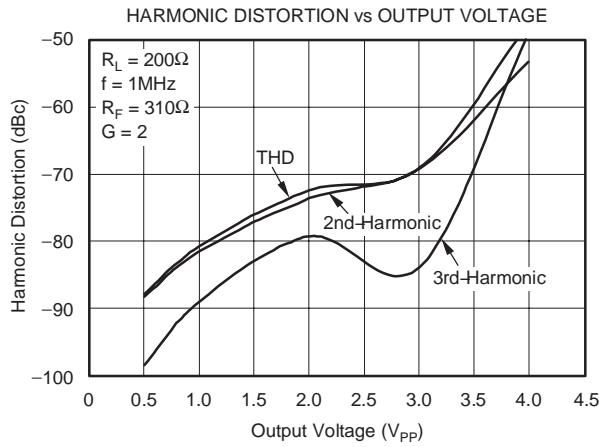
## TYPICAL CHARACTERISTICS

All specifications at  $T_A = 25^\circ\text{C}$ ,  $V_S = 5\text{V}$ , and  $R_L = 150\Omega$  connected to  $V_S/2$  unless otherwise noted.



## TYPICAL CHARACTERISTICS (continued)

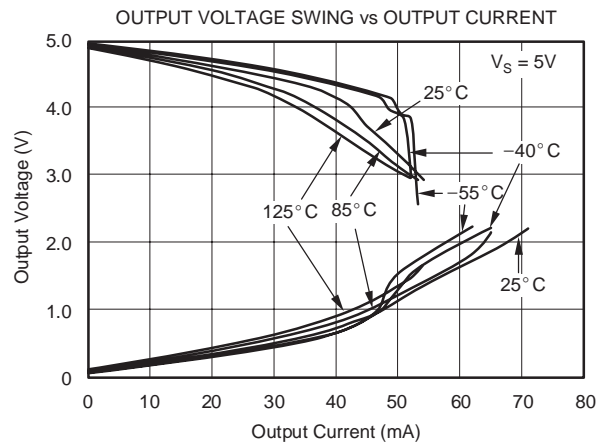
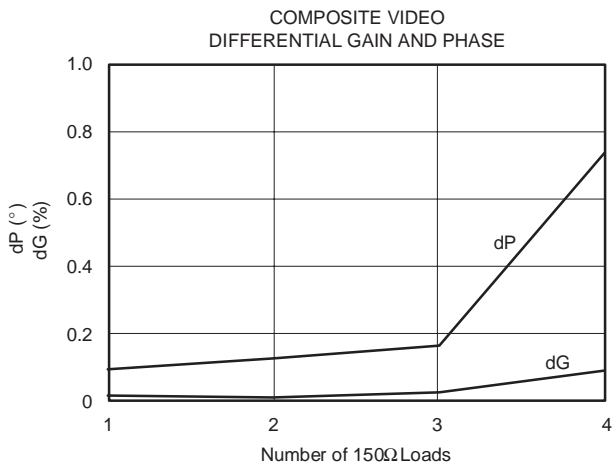
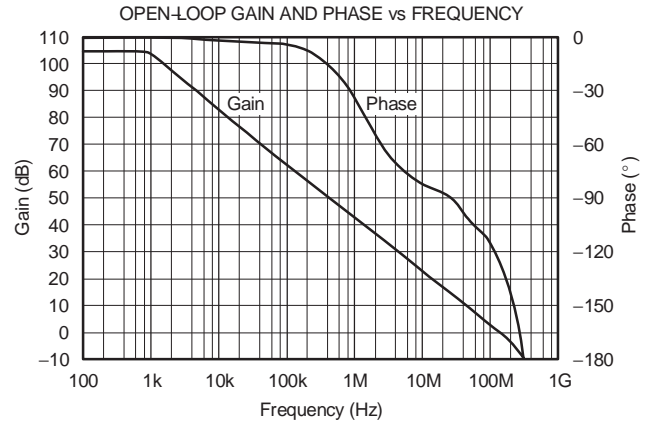
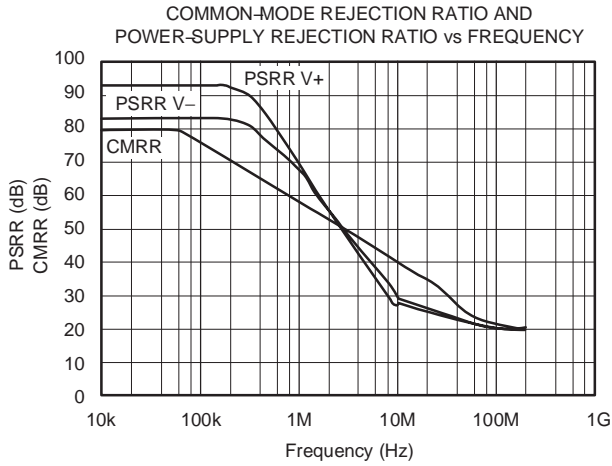
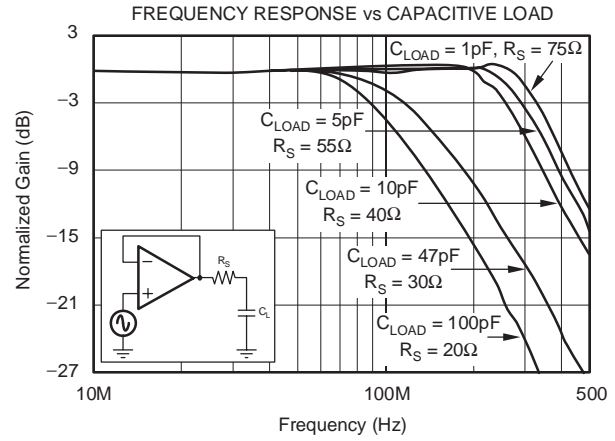
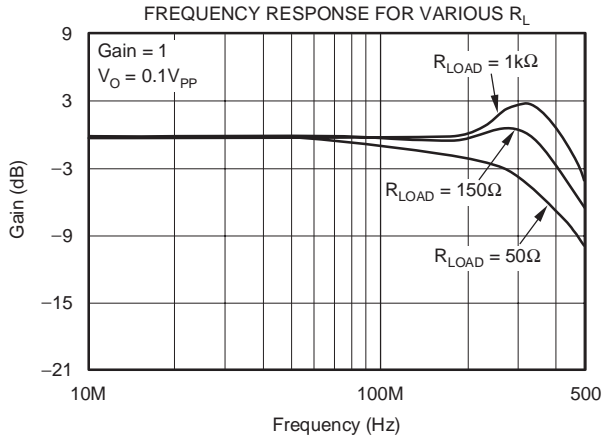
All specifications at  $T_A = 25^\circ\text{C}$ ,  $V_S = 5\text{V}$ , and  $R_L = 150\Omega$  connected to  $V_S/2$  unless otherwise noted.



SBOS271B – MAY 2003 – REVISED JUNE 2005

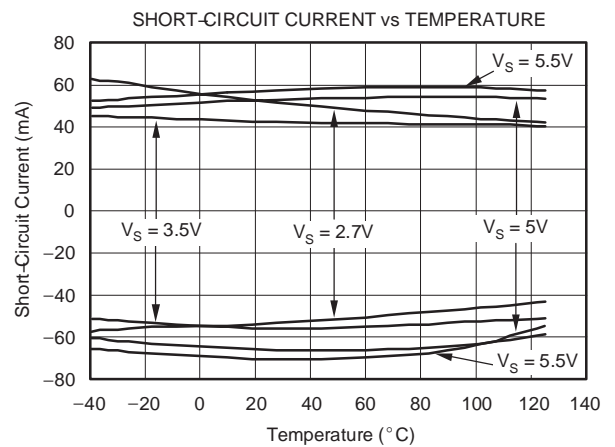
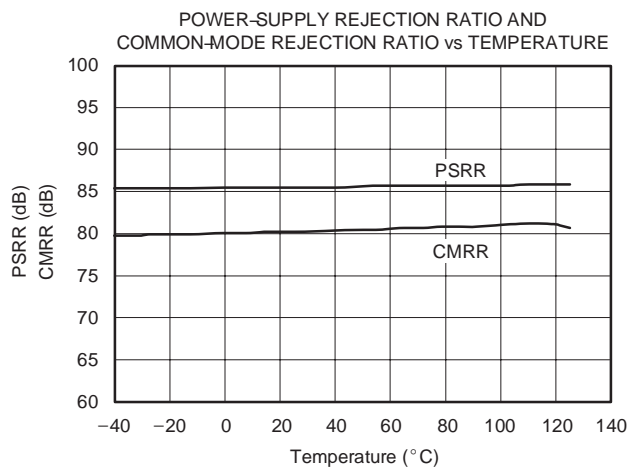
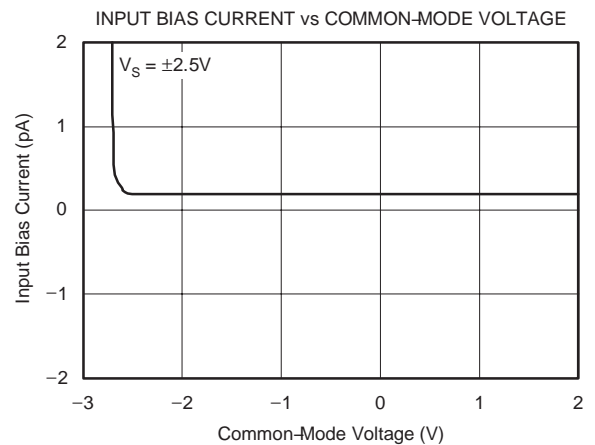
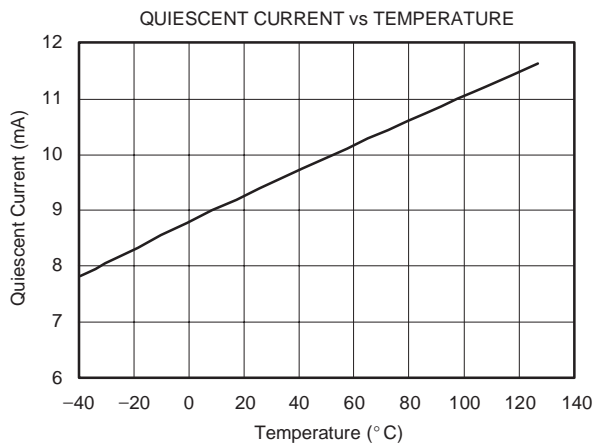
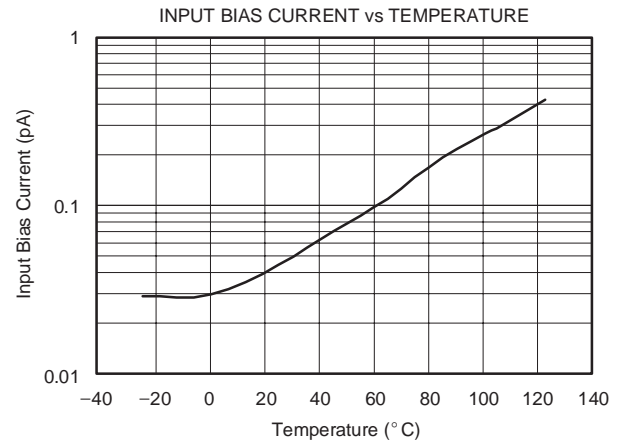
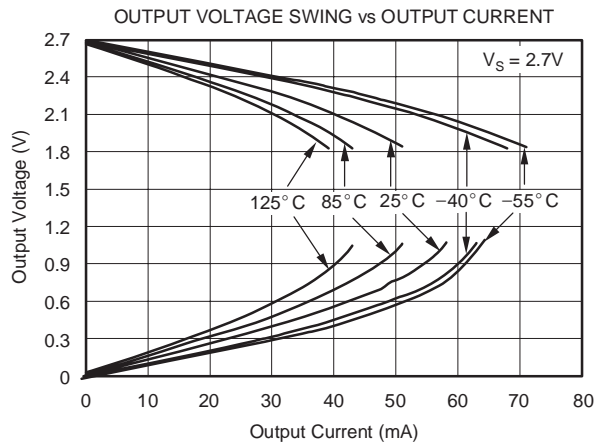
## TYPICAL CHARACTERISTICS (continued)

All specifications at  $T_A = 25^\circ\text{C}$ ,  $V_S = 5\text{V}$ , and  $R_L = 150\Omega$  connected to  $V_S/2$  unless otherwise noted.



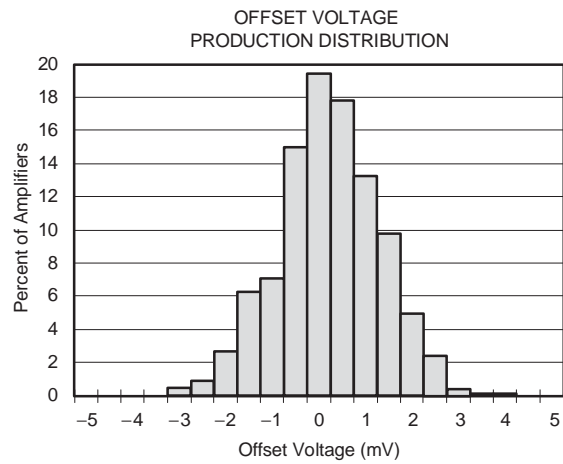
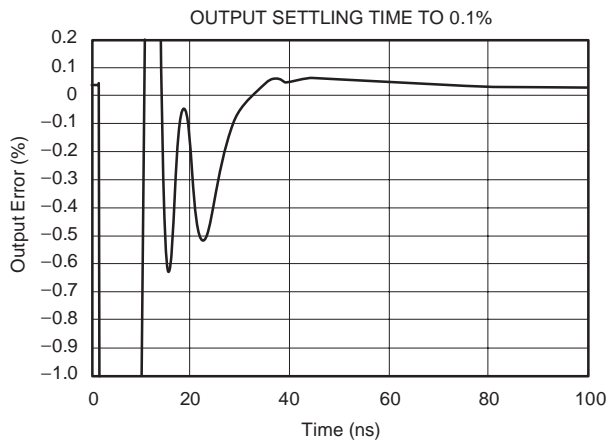
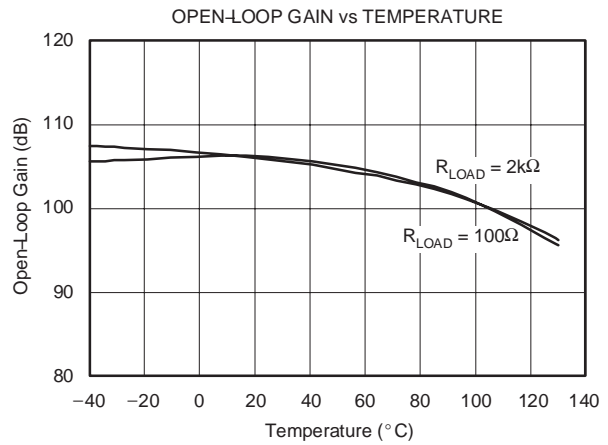
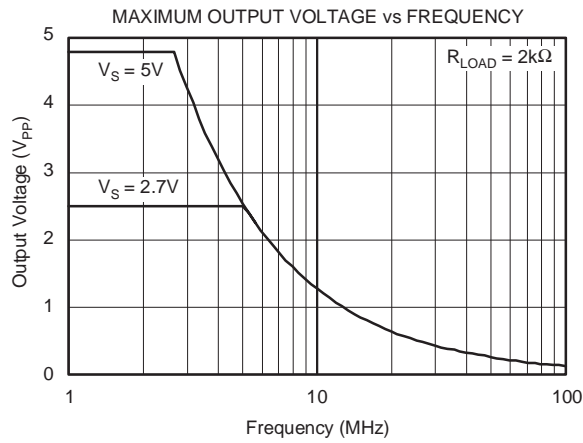
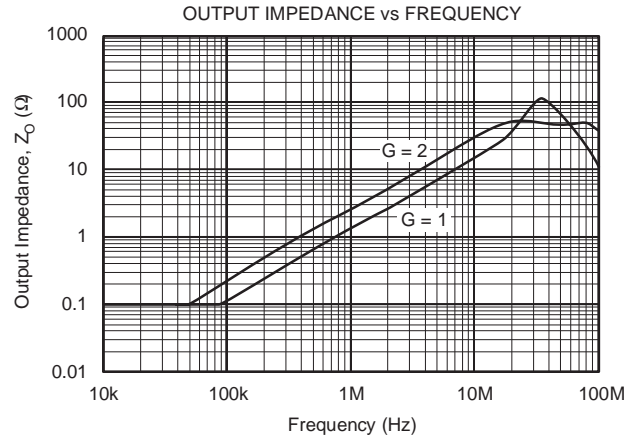
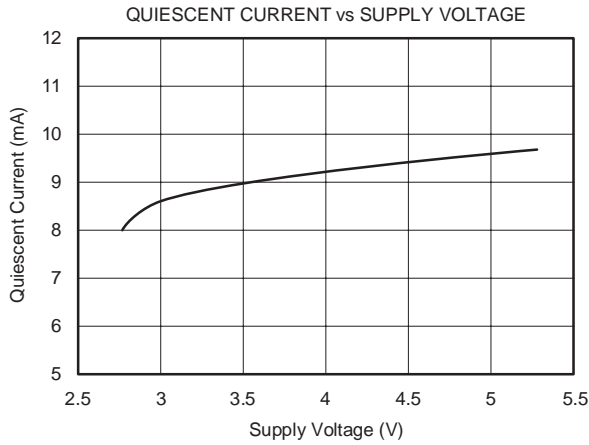
## TYPICAL CHARACTERISTICS (continued)

All specifications at  $T_A = 25^\circ\text{C}$ ,  $V_S = 5\text{V}$ , and  $R_L = 150\Omega$  connected to  $V_S/2$  unless otherwise noted.



## TYPICAL CHARACTERISTICS (continued)

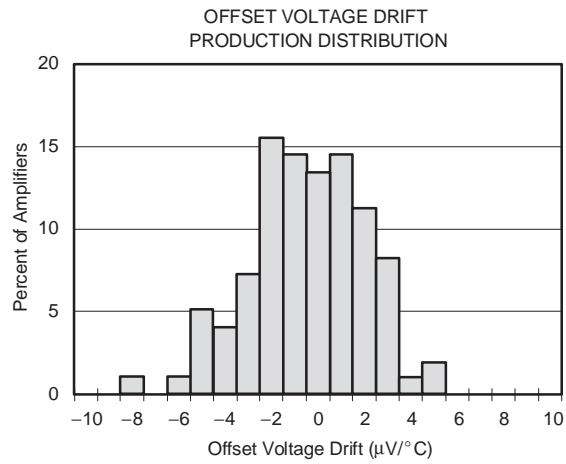
All specifications at  $T_A = 25^\circ\text{C}$ ,  $V_S = 5\text{V}$ , and  $R_L = 150\Omega$  connected to  $V_S/2$  unless otherwise noted.





## TYPICAL CHARACTERISTICS (continued)

All specifications at  $T_A = 25^\circ\text{C}$ ,  $V_S = 5\text{V}$ , and  $R_L = 150\Omega$  connected to  $V_S/2$  unless otherwise noted.



## APPLICATIONS INFORMATION

The OPA300 and OPA301 series of single-supply CMOS op amps are designed to interface with high-speed 16-bit analog-to-digital converters (ADCs). Featuring wide 150MHz bandwidth, fast 150ns settling time to 16 bits, and high open loop gain, this series offers excellent performance in a small SO-8 and tiny SOT23 packages.

## THEORY OF OPERATION

The OPA300 and OPA301 series op amps use a classic two-stage topology, shown in Figure 1. The differential input pair is biased to maximize slew rate without compromising stability or bandwidth. The folded cascode adds the signal from the input pair and presents a differential signal to the class AB output stage. The class AB output stage allows rail-to-rail output swing, with high-impedance loads ( $> 2k\Omega$ ), typically 100mV from the supply rails. With 10 $\Omega$  loads, a useful output swing can be achieved and still maintain high open-loop gain. See the typical characteristic *Output Voltage Swing vs Output Current*.

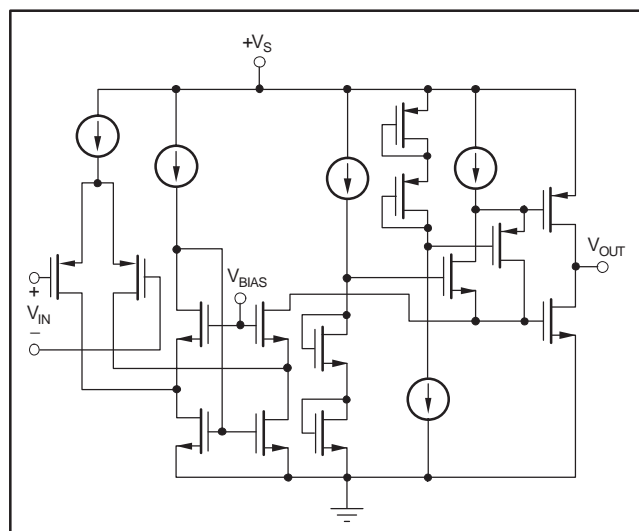


Figure 1. OPA30x Classic Two-Stage Topology

## OPERATING VOLTAGE

OPA300/OPA301 series op amp parameters are fully specified from +2.7V to +5.5V. Supply voltages higher than 5.5V (absolute maximum) can cause permanent damage to the amplifier. Many specifications apply from  $-40^{\circ}\text{C}$  to  $+125^{\circ}\text{C}$ . Parameters that vary significantly with operating voltages or temperature are shown in the Typical Characteristics.

## PCB LAYOUT

As with most high-speed operational amplifiers, board layout requires special attention to maximize AC and DC performance. Extensive use of ground planes, short lead lengths, and high-quality bypass capacitors will minimize leakage that can compromise signal quality. Guard rings applied with potential as near to the input pins as possible help minimize board leakage.

## INPUT AND ESD PROTECTION

All OPA300/OPA301 series op amps' pins are static-protected with internal ESD protection diodes tied to the supplies, as shown in Figure 2. These diodes will provide overdrive protection if the current is externally limited to 10mA, as stated in the Absolute Maximum Ratings. Any input current beyond the Absolute Maximum Ratings, or long-term operation at maximum ratings, will shorten the lifespan of the amplifier.

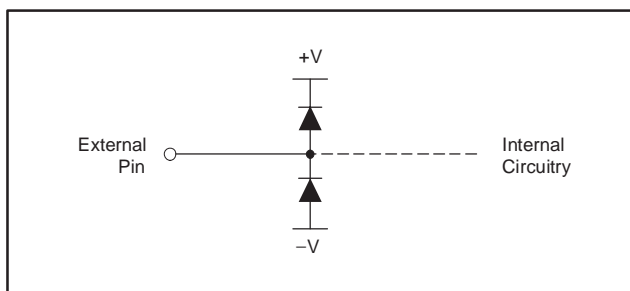


Figure 2. ESD Protection Diodes

## ENABLE FUNCTION

The shutdown function of the OPA300 and OPA2300 is referenced to the negative supply voltage of the operational amplifier. A logic level HIGH enables the op amp. A valid logic HIGH is defined as 2.5V above the negative supply applied to the enable pin. A valid logic LOW is defined as  $< 0.8\text{V}$  above the negative supply pin. If dual or split power supplies are used, care should be taken to ensure logic input signals are properly referred to the negative supply voltage. If this pin is not connected to a valid high or low voltage, the internal circuitry will pull the node high and enable the part to function.

The logic input is a high-impedance CMOS input. For battery-operated applications, this feature may be used to greatly reduce the average current and extend battery life. The enable time is 10 $\mu\text{s}$ ; disable time is 1 $\mu\text{s}$ . When disabled, the output assumes a high-impedance state. This allows the OPA300 to be operated as a gated amplifier, or to have its output multiplexed onto a common analog output bus.

## DRIVING CAPACITIVE LOADS

When using high-speed operational amplifiers, it is extremely important to consider the effects of capacitive loading on amplifier stability. Capacitive loading will interact with the output impedance of the operational amplifier, and depending on the capacitor value, may significantly decrease the gain bandwidth, as well as introduce peaking. To reduce the effects of capacitive loading and allow for additional capacitive load drive, place a series resistor between the output and the load. This will reduce available bandwidth, but permit stable operation with capacitive loading. Figure 3 illustrates the recommended relationship between the resistor and capacitor values.

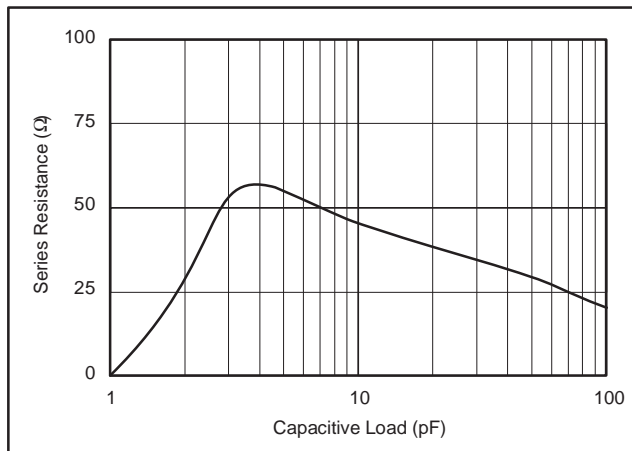


Figure 3. Recommended  $R_S$  and  $C_L$  Combinations

Amplifiers configured in unity gain are most susceptible to stability issues. The typical characteristic, *Frequency Response vs Capacitive Load*, describes the relationship between capacitive load and stability for the OPA300/OPA301 series. In unity gain, the OPA300/OPA301 series is capable of driving a few picofarads of capacitive load without compromising stability. Board level parasitic capacitance can often fall into the range of a picofarad or more, and should be minimized through good circuit-board layout practices to avoid compromising the stability of the OPA300/OPA301. For more information on detecting parasitics during testing, see the Application Note *Measuring Board Parasitics in High-Speed Analog Design* (SBOA094), available at the TI web site [www.ti.com](http://www.ti.com).

## DRIVING A 16-BIT ADC

The OPA300/OPA301 series feature excellent THD+noise, even at frequencies greater than 1MHz, with a 16-bit settling time of 150ns. Figure 4 shows a total single supply solution for high-speed data acquisition. The OPA300/OPA301 directly drives the ADS8401, a 1.25 mega sample per second (MSPS) 16-bit data converter. The OPA300/OPA301 is configured in an inverting gain of 1, with a 5V single supply. Results of the OPA300/OPA301 performance are summarized in Table 1.

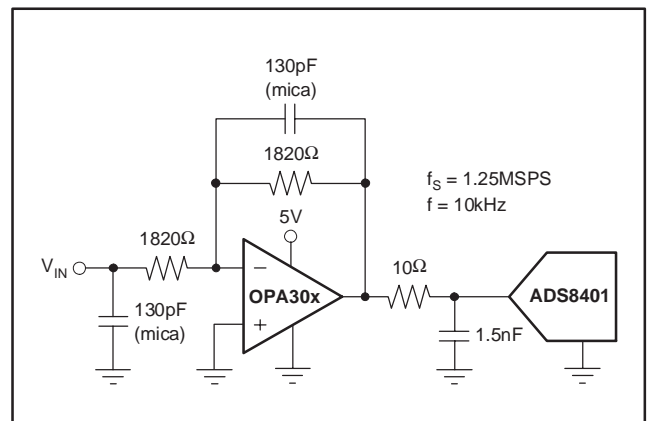


Figure 4. The OPA30x Drives the 16-Bit ADS8401

| PARAMETER | RESULTS (f = 10kHz) |
|-----------|---------------------|
| THD       | -99.3dB             |
| SFDR      | 101.2dB             |
| THD+N     | 84.2dB              |
| SNR       | 84.3dB              |

Table 1. OPA30x Performance Results Driving a 1.25MSPS ADS8401

## PACKAGING INFORMATION

| Orderable Device | Status <sup>(1)</sup> | Package Type | Package Drawing | Pins | Package Qty | Eco Plan <sup>(2)</sup> | Lead/Ball Finish | MSL Peak Temp <sup>(3)</sup> |
|------------------|-----------------------|--------------|-----------------|------|-------------|-------------------------|------------------|------------------------------|
| OPA2300AIDGSR    | ACTIVE                | MSOP         | DGS             | 10   | 2500        | Green (RoHS & no Sb/Br) | CU NIPDAU        | Level-2-260C-1 YEAR          |
| OPA2300AIDGSRG4  | ACTIVE                | MSOP         | DGS             | 10   | 2500        | Green (RoHS & no Sb/Br) | CU NIPDAU        | Level-2-260C-1 YEAR          |
| OPA2300AIDGST    | ACTIVE                | MSOP         | DGS             | 10   | 250         | Green (RoHS & no Sb/Br) | CU NIPDAU        | Level-2-260C-1 YEAR          |
| OPA2300AIDGSTG4  | ACTIVE                | MSOP         | DGS             | 10   | 250         | Green (RoHS & no Sb/Br) | CU NIPDAU        | Level-2-260C-1 YEAR          |
| OPA2301AID       | ACTIVE                | SOIC         | D               | 8    | 75          | Green (RoHS & no Sb/Br) | CU NIPDAU        | Level-2-260C-1 YEAR          |
| OPA2301AIDG4     | ACTIVE                | SOIC         | D               | 8    | 75          | Green (RoHS & no Sb/Br) | CU NIPDAU        | Level-2-260C-1 YEAR          |
| OPA2301AIDGKR    | ACTIVE                | MSOP         | DGK             | 8    | 2500        | Green (RoHS & no Sb/Br) | CU NIPDAU        | Level-2-260C-1 YEAR          |
| OPA2301AIDGKRG4  | ACTIVE                | MSOP         | DGK             | 8    | 2500        | Green (RoHS & no Sb/Br) | CU NIPDAU        | Level-2-260C-1 YEAR          |
| OPA2301AIDGKT    | ACTIVE                | MSOP         | DGK             | 8    | 250         | Green (RoHS & no Sb/Br) | CU NIPDAU        | Level-2-260C-1 YEAR          |
| OPA2301AIDGKTG4  | ACTIVE                | MSOP         | DGK             | 8    | 250         | Green (RoHS & no Sb/Br) | CU NIPDAU        | Level-2-260C-1 YEAR          |
| OPA2301AIDR      | ACTIVE                | SOIC         | D               | 8    | 2500        | Green (RoHS & no Sb/Br) | CU NIPDAU        | Level-2-260C-1 YEAR          |
| OPA2301AIDRG4    | ACTIVE                | SOIC         | D               | 8    | 2500        | Green (RoHS & no Sb/Br) | CU NIPDAU        | Level-2-260C-1 YEAR          |
| OPA300AID        | ACTIVE                | SOIC         | D               | 8    | 100         | TBD                     | CU NIPDAU        | Level-3-235C-168 HR          |
| OPA300AIDBVR     | ACTIVE                | SOT-23       | DBV             | 6    | 3000        | TBD                     | CU SNPB          | Level-2-240C-1 YEAR          |
| OPA300AIDBVT     | ACTIVE                | SOT-23       | DBV             | 6    | 250         | TBD                     | CU SNPB          | Level-2-240C-1 YEAR          |
| OPA300AIDR       | ACTIVE                | SOIC         | D               | 8    | 2500        | TBD                     | CU NIPDAU        | Level-3-235C-168 HR          |
| OPA301AID        | ACTIVE                | SOIC         | D               | 8    | 100         | TBD                     | CU NIPDAU        | Level-3-240C-168 HR          |
| OPA301AIDBVR     | ACTIVE                | SOT-23       | DBV             | 5    | 3000        | TBD                     | CU NIPDAU        | Level-1-235C-UNLIM           |
| OPA301AIDBVT     | ACTIVE                | SOT-23       | DBV             | 5    | 250         | TBD                     | CU NIPDAU        | Level-1-235C-UNLIM           |
| OPA301AIDR       | ACTIVE                | SOIC         | D               | 8    | 2500        | TBD                     | CU NIPDAU        | Level-3-240C-168 HR          |

<sup>(1)</sup> The marketing status values are defined as follows:

**ACTIVE:** Product device recommended for new designs.

**LIFEBUY:** TI has announced that the device will be discontinued, and a lifetime-buy period is in effect.

**NRND:** Not recommended for new designs. Device is in production to support existing customers, but TI does not recommend using this part in a new design.

**PREVIEW:** Device has been announced but is not in production. Samples may or may not be available.

**OBSOLETE:** TI has discontinued the production of the device.

<sup>(2)</sup> Eco Plan - The planned eco-friendly classification: Pb-Free (RoHS) or Green (RoHS & no Sb/Br) - please check <http://www.ti.com/productcontent> for the latest availability information and additional product content details.

**TBD:** The Pb-Free/Green conversion plan has not been defined.

**Pb-Free (RoHS):** TI's terms "Lead-Free" or "Pb-Free" mean semiconductor products that are compatible with the current RoHS requirements for all 6 substances, including the requirement that lead not exceed 0.1% by weight in homogeneous materials. Where designed to be soldered at high temperatures, TI Pb-Free products are suitable for use in specified lead-free processes.

**Green (RoHS & no Sb/Br):** TI defines "Green" to mean Pb-Free (RoHS compatible), and free of Bromine (Br) and Antimony (Sb) based flame retardants (Br or Sb do not exceed 0.1% by weight in homogeneous material)

<sup>(3)</sup> MSL, Peak Temp. -- The Moisture Sensitivity Level rating according to the JEDEC industry standard classifications, and peak solder

temperature.

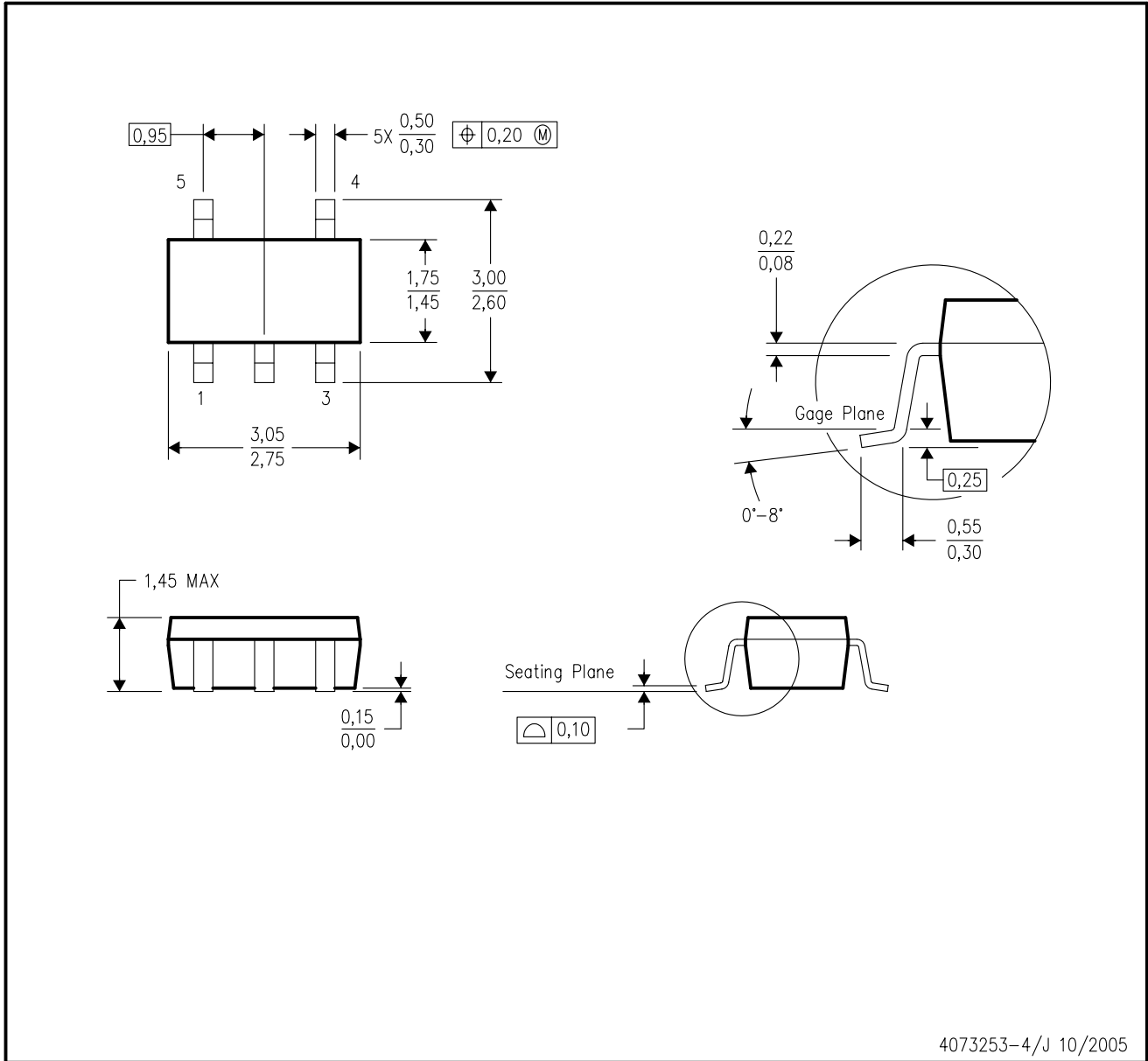
**Important Information and Disclaimer:**The information provided on this page represents TI's knowledge and belief as of the date that it is provided. TI bases its knowledge and belief on information provided by third parties, and makes no representation or warranty as to the accuracy of such information. Efforts are underway to better integrate information from third parties. TI has taken and continues to take reasonable steps to provide representative and accurate information but may not have conducted destructive testing or chemical analysis on incoming materials and chemicals. TI and TI suppliers consider certain information to be proprietary, and thus CAS numbers and other limited information may not be available for release.

In no event shall TI's liability arising out of such information exceed the total purchase price of the TI part(s) at issue in this document sold by TI to Customer on an annual basis.

# MECHANICAL DATA

DBV (R-PDSO-G5)

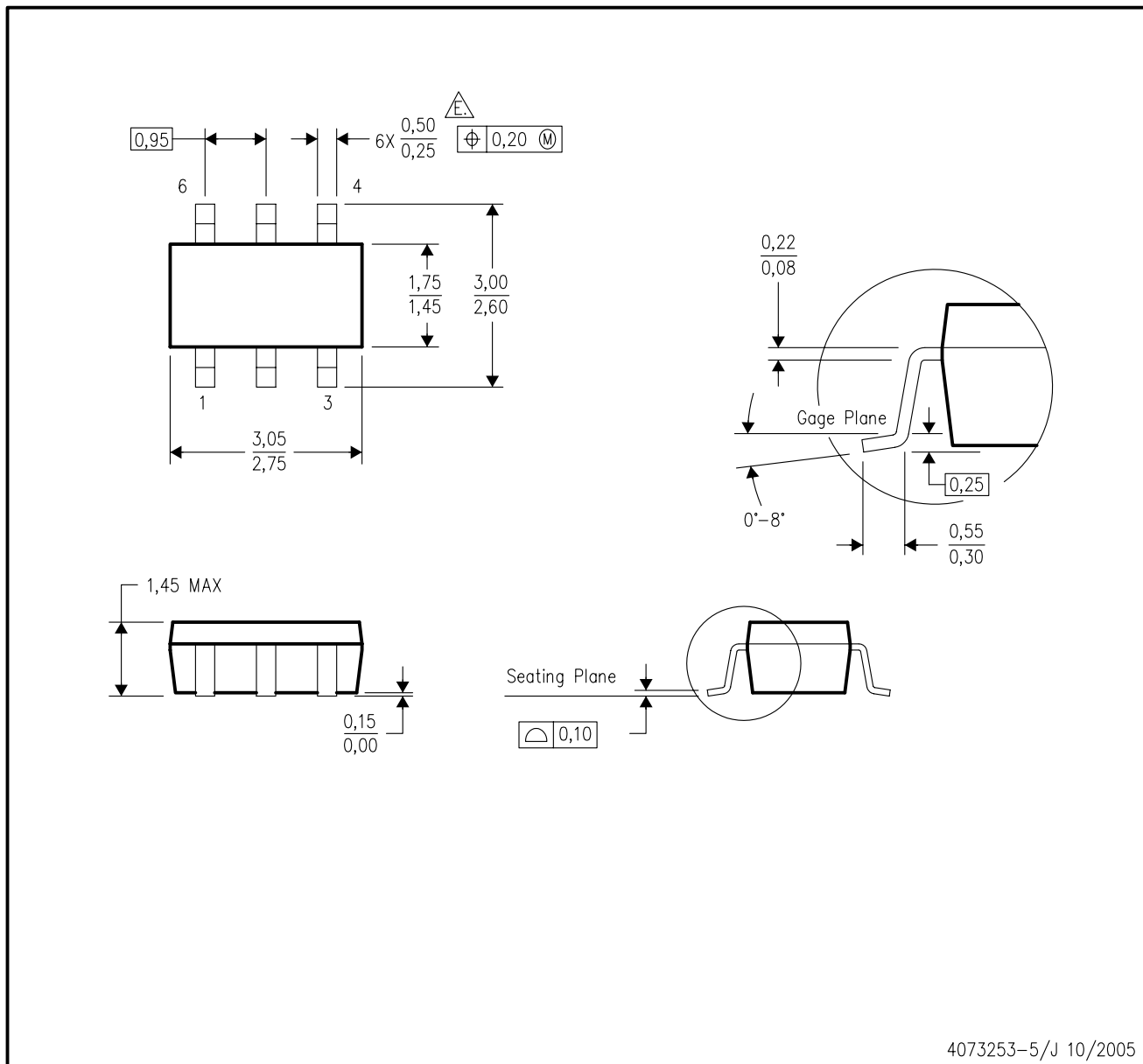
PLASTIC SMALL-OUTLINE PACKAGE



- NOTES:
- All linear dimensions are in millimeters.
  - This drawing is subject to change without notice.
  - Body dimensions do not include mold flash or protrusion. Mold flash and protrusion shall not exceed 0.15 per side.
  - Falls within JEDEC MO-178 Variation AA.

DBV (R-PDSO-G6)

PLASTIC SMALL-OUTLINE PACKAGE



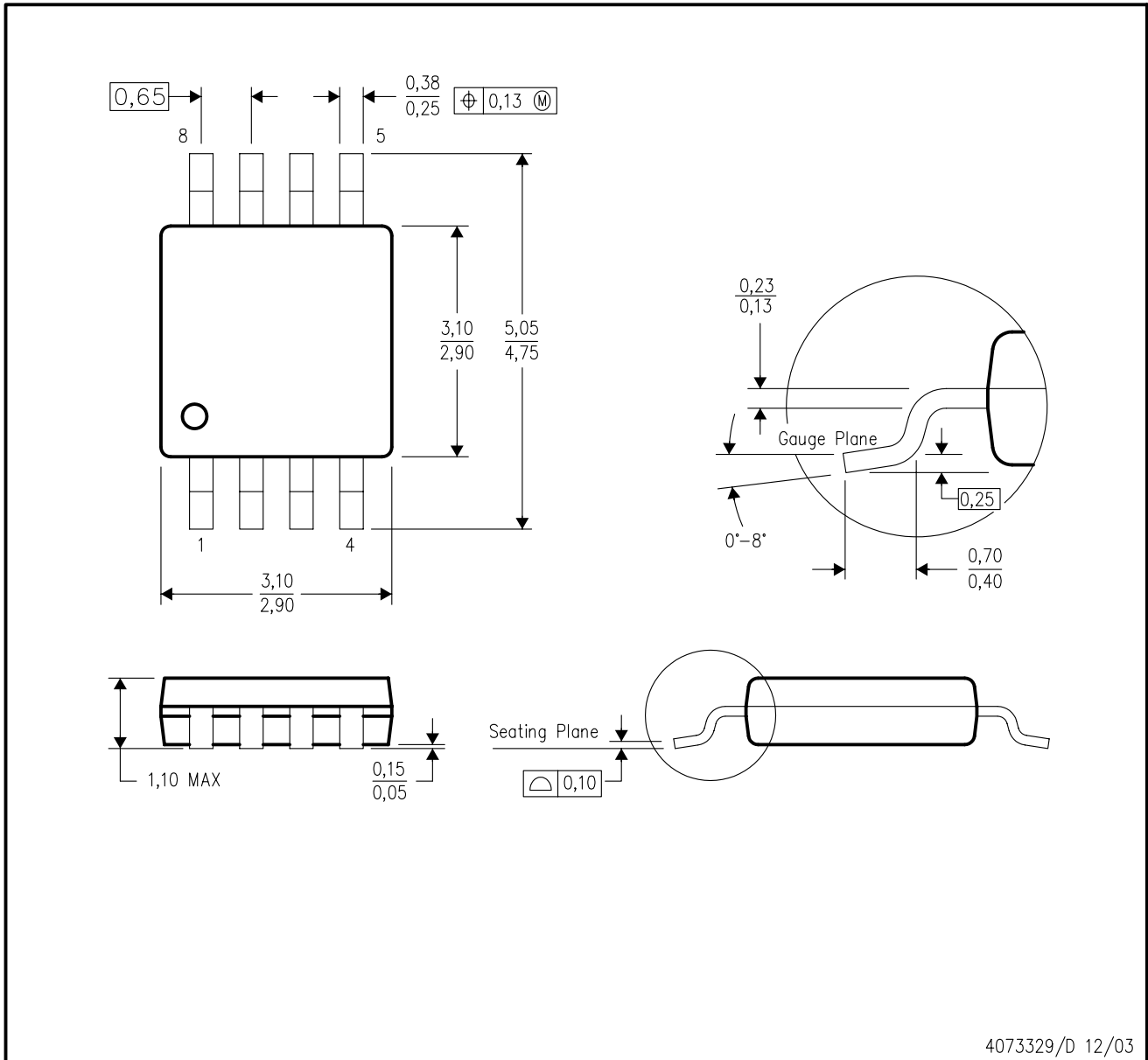
4073253-5/J 10/2005

- NOTES:
- A. All linear dimensions are in millimeters.
  - B. This drawing is subject to change without notice.
  - C. Body dimensions do not include mold flash or protrusion. Mold flash and protrusion shall not exceed 0.15 per side.
  - D. Leads 1,2,3 may be wider than leads 4,5,6 for package orientation.
- ⚠ Falls within JEDEC MO-178 Variation AB, except minimum lead width.

# MECHANICAL DATA

DGK (S-PDSO-G8)

PLASTIC SMALL-OUTLINE PACKAGE



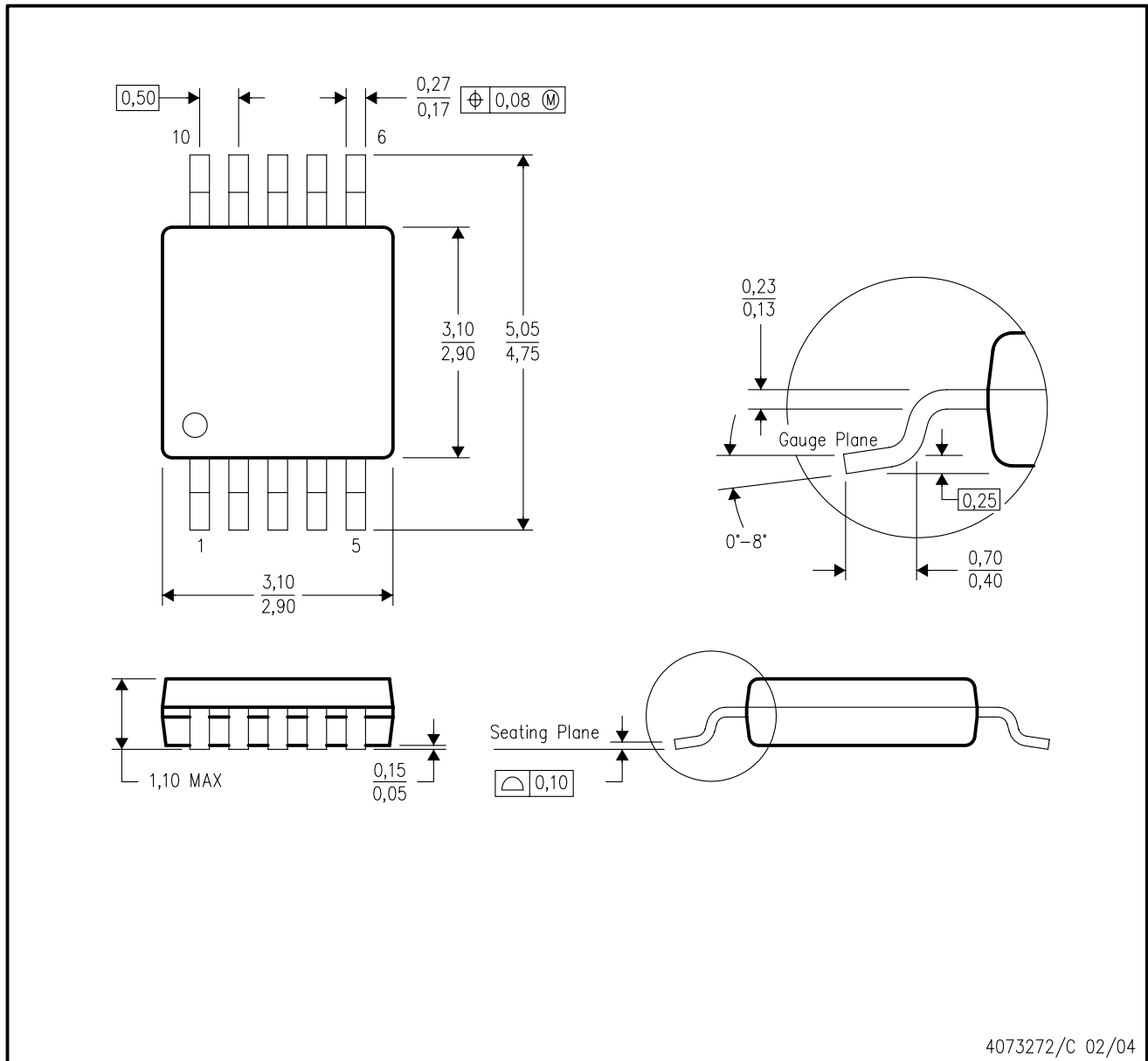
- NOTES:
- A. All linear dimensions are in millimeters.
  - B. This drawing is subject to change without notice.
  - C. Body dimensions do not include mold flash or protrusion.
  - D. Falls within JEDEC MO-187 variation AA.



# MECHANICAL DATA

DGS (S-PDSO-G10)

PLASTIC SMALL-OUTLINE PACKAGE

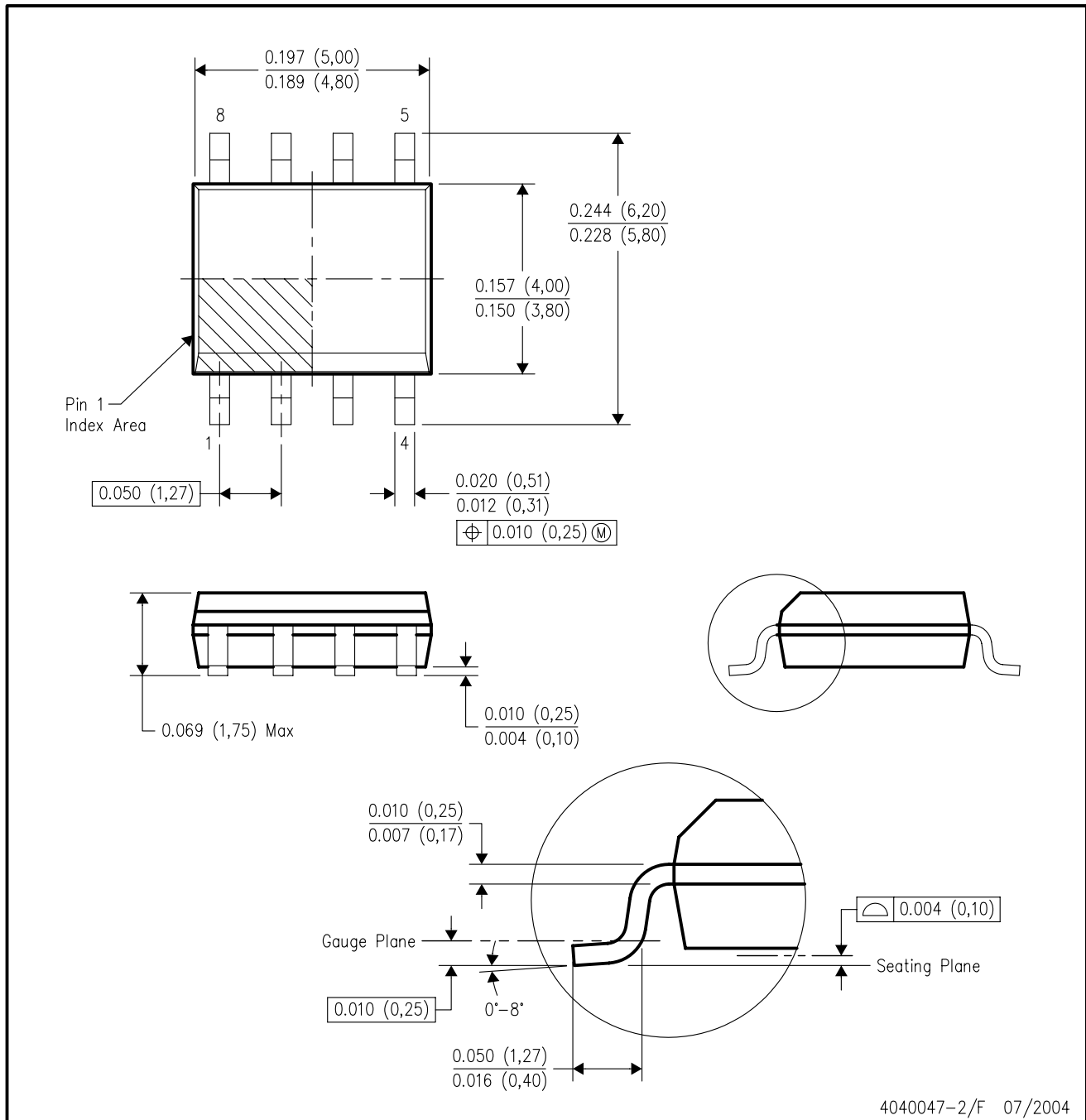


- NOTES:
- All linear dimensions are in millimeters.
  - This drawing is subject to change without notice.
  - Body dimensions do not include mold flash or protrusion.
  - Falls within JEDEC MO-187 variation BA.

# MECHANICAL DATA

D (R-PDSO-G8)

PLASTIC SMALL-OUTLINE PACKAGE



- NOTES:
- A. All linear dimensions are in inches (millimeters).
  - B. This drawing is subject to change without notice.
  - C. Body dimensions do not include mold flash or protrusion not to exceed 0.006 (0,15).
  - D. Falls within JEDEC MS-012 variation AA.

## IMPORTANT NOTICE

Texas Instruments Incorporated and its subsidiaries (TI) reserve the right to make corrections, modifications, enhancements, improvements, and other changes to its products and services at any time and to discontinue any product or service without notice. Customers should obtain the latest relevant information before placing orders and should verify that such information is current and complete. All products are sold subject to TI's terms and conditions of sale supplied at the time of order acknowledgment.

TI warrants performance of its hardware products to the specifications applicable at the time of sale in accordance with TI's standard warranty. Testing and other quality control techniques are used to the extent TI deems necessary to support this warranty. Except where mandated by government requirements, testing of all parameters of each product is not necessarily performed.

TI assumes no liability for applications assistance or customer product design. Customers are responsible for their products and applications using TI components. To minimize the risks associated with customer products and applications, customers should provide adequate design and operating safeguards.

TI does not warrant or represent that any license, either express or implied, is granted under any TI patent right, copyright, mask work right, or other TI intellectual property right relating to any combination, machine, or process in which TI products or services are used. Information published by TI regarding third-party products or services does not constitute a license from TI to use such products or services or a warranty or endorsement thereof. Use of such information may require a license from a third party under the patents or other intellectual property of the third party, or a license from TI under the patents or other intellectual property of TI.

Reproduction of information in TI data books or data sheets is permissible only if reproduction is without alteration and is accompanied by all associated warranties, conditions, limitations, and notices. Reproduction of this information with alteration is an unfair and deceptive business practice. TI is not responsible or liable for such altered documentation.

Resale of TI products or services with statements different from or beyond the parameters stated by TI for that product or service voids all express and any implied warranties for the associated TI product or service and is an unfair and deceptive business practice. TI is not responsible or liable for any such statements.

Following are URLs where you can obtain information on other Texas Instruments products and application solutions:

| <b>Products</b>  |  | <b>Applications</b> |  |
|------------------|--|---------------------|--|
| Amplifiers       | <a href="http://amplifier.ti.com">amplifier.ti.com</a>             | Audio               | <a href="http://www.ti.com/audio">www.ti.com/audio</a>                   |
| Data Converters  | <a href="http://dataconverter.ti.com">dataconverter.ti.com</a>     | Automotive          | <a href="http://www.ti.com/automotive">www.ti.com/automotive</a>         |
| DSP              | <a href="http://dsp.ti.com">dsp.ti.com</a>                         | Broadband           | <a href="http://www.ti.com/broadband">www.ti.com/broadband</a>           |
| Interface        | <a href="http://interface.ti.com">interface.ti.com</a>             | Digital Control     | <a href="http://www.ti.com/digitalcontrol">www.ti.com/digitalcontrol</a> |
| Logic            | <a href="http://logic.ti.com">logic.ti.com</a>                     | Military            | <a href="http://www.ti.com/military">www.ti.com/military</a>             |
| Power Mgmt       | <a href="http://power.ti.com">power.ti.com</a>                     | Optical Networking  | <a href="http://www.ti.com/opticalnetwork">www.ti.com/opticalnetwork</a> |
| Microcontrollers | <a href="http://microcontroller.ti.com">microcontroller.ti.com</a> | Security            | <a href="http://www.ti.com/security">www.ti.com/security</a>             |
|                  |  | Telephony           | <a href="http://www.ti.com/telephony">www.ti.com/telephony</a>           |
|                  |  | Video & Imaging     | <a href="http://www.ti.com/video">www.ti.com/video</a>                   |
|                  |  | Wireless            | <a href="http://www.ti.com/wireless">www.ti.com/wireless</a>             |

Mailing Address: Texas Instruments  
Post Office Box 655303 Dallas, Texas 75265